

[54] **CASTOR FOR LUGGAGE OR SIMILAR ARTICLES**

[75] Inventor: **Lien-Ti Chen, Chang Hwa, Taiwan**

[73] Assignee: **Nan Zong Leather Products Co., Ltd., Chang Twa, Taiwan**

[\*\*] Term: **14 Years**

[21] Appl. No.: **726,990**

[22] Filed: **Apr. 25, 1985**

[52] U.S. Cl. .... **D8/375; 16/30**

[58] Field of Search ..... **D8/375; D3/77, 76; 16/29, 30, 18 R, 45; 190/18 A, 18 R; 280/47.31, 47.34**

[56] **References Cited**

**U.S. PATENT DOCUMENTS**

118,117	8/1871	Duncan	16/30
D. 281,652	12/1985	Bornes et al.	D3/77 X
3,163,268	12/1964	Leavell	16/30 X
3,987,875	10/1976	Szabo	16/30 X
4,026,570	5/1977	Feinberg	16/30 X
4,192,408	3/1980	Walker	16/30 X
4,206,716	6/1980	Anderson	16/18 R X

4,262,780	4/1981	Samuelcin	16/29 X
4,321,727	3/1982	Sherman et al.	16/18 R
4,335,896	6/1982	Koffler	16/30 X
4,415,173	11/1983	Tenebruso	16/30 X

**FOREIGN PATENT DOCUMENTS**

238991	1/1961	Australia	16/45
249376	11/1962	Australia	16/45

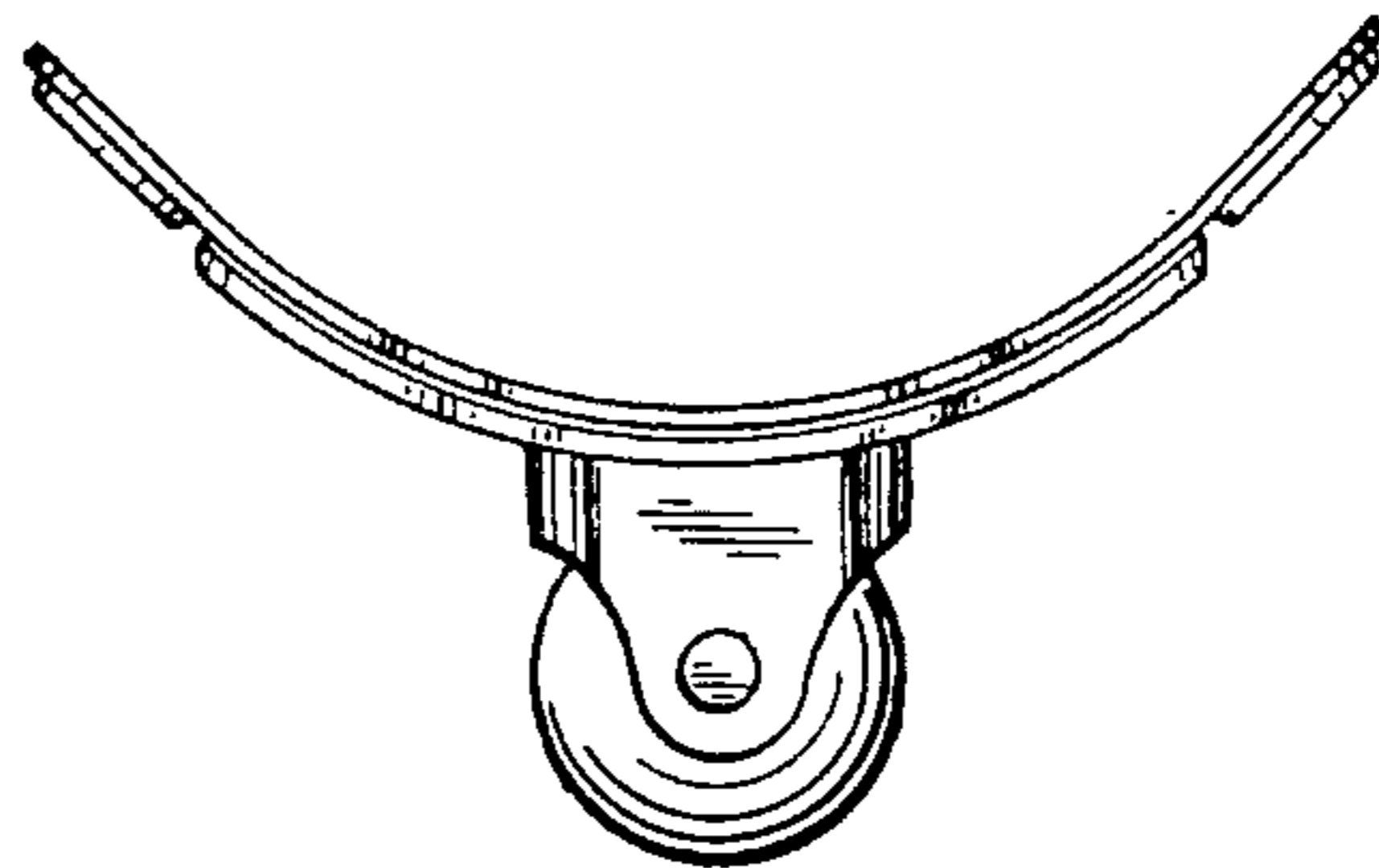
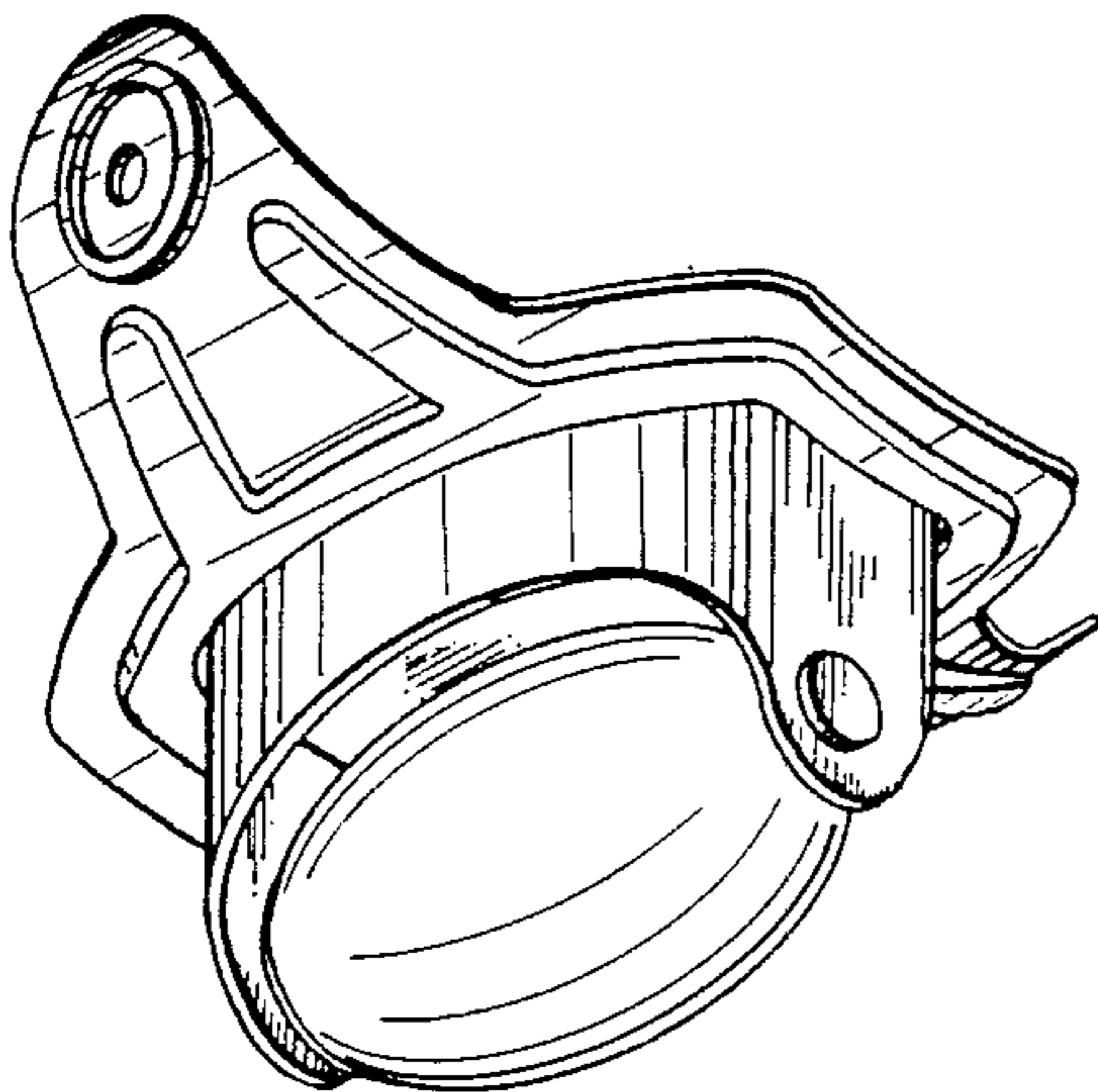
*Primary Examiner*—Wallace R. Burke  
*Assistant Examiner*—Horace B. Fay  
*Attorney, Agent, or Firm*—Christensen, O'Connor, Johnson & Kindness

[57] **CLAIM**

The ornamental design for a castor for luggage or similar articles, as shown and described.

**DESCRIPTION**

FIG. 1 is a perspective view of a castor for luggage or similar articles showing my new design;  
 FIG. 2 is a front elevational view thereof;  
 FIG. 3 is a top plan view thereof;  
 FIG. 4 is a bottom plan view thereof;  
 FIG. 5 is a side elevational view thereof, the side opposite being a mirror image.



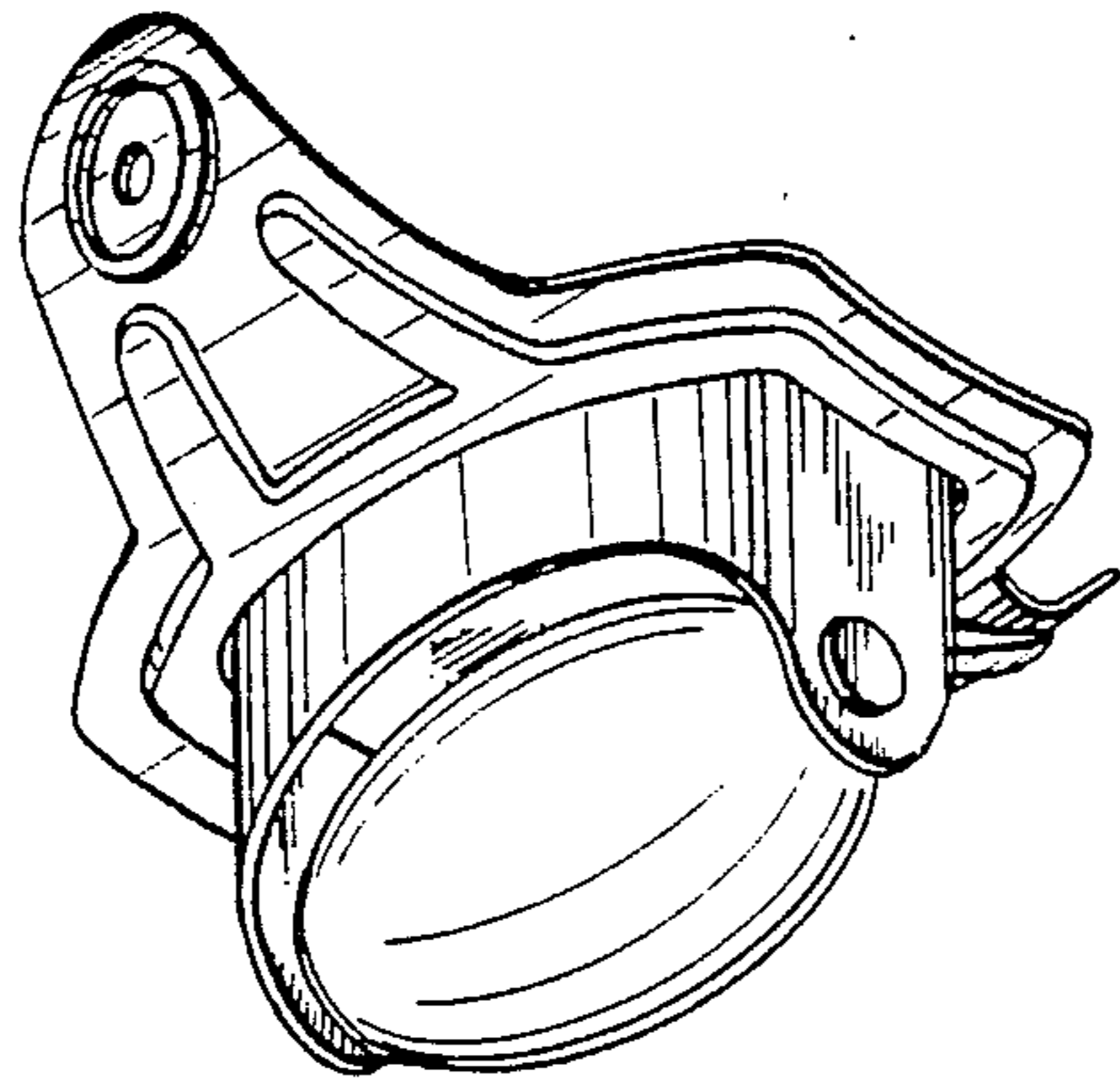


FIG. 1

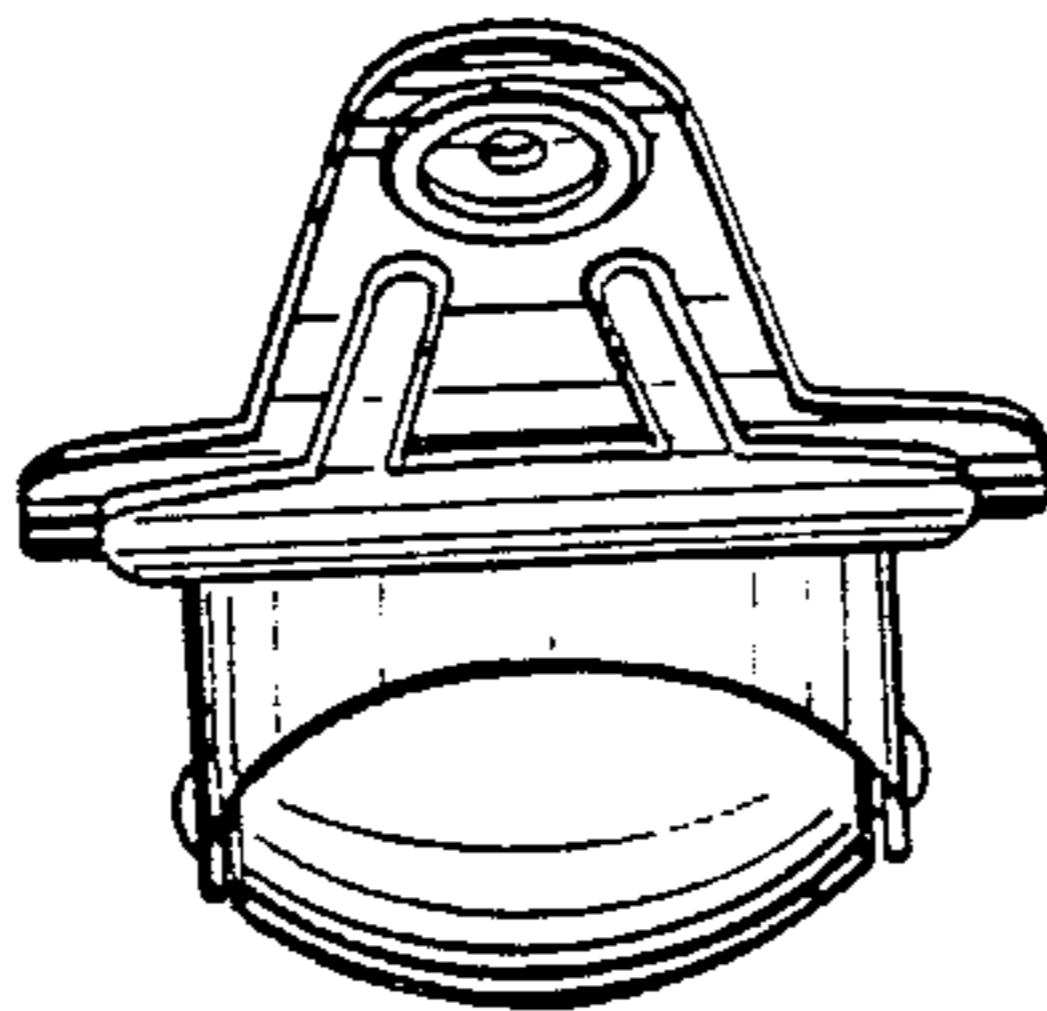


FIG. 2

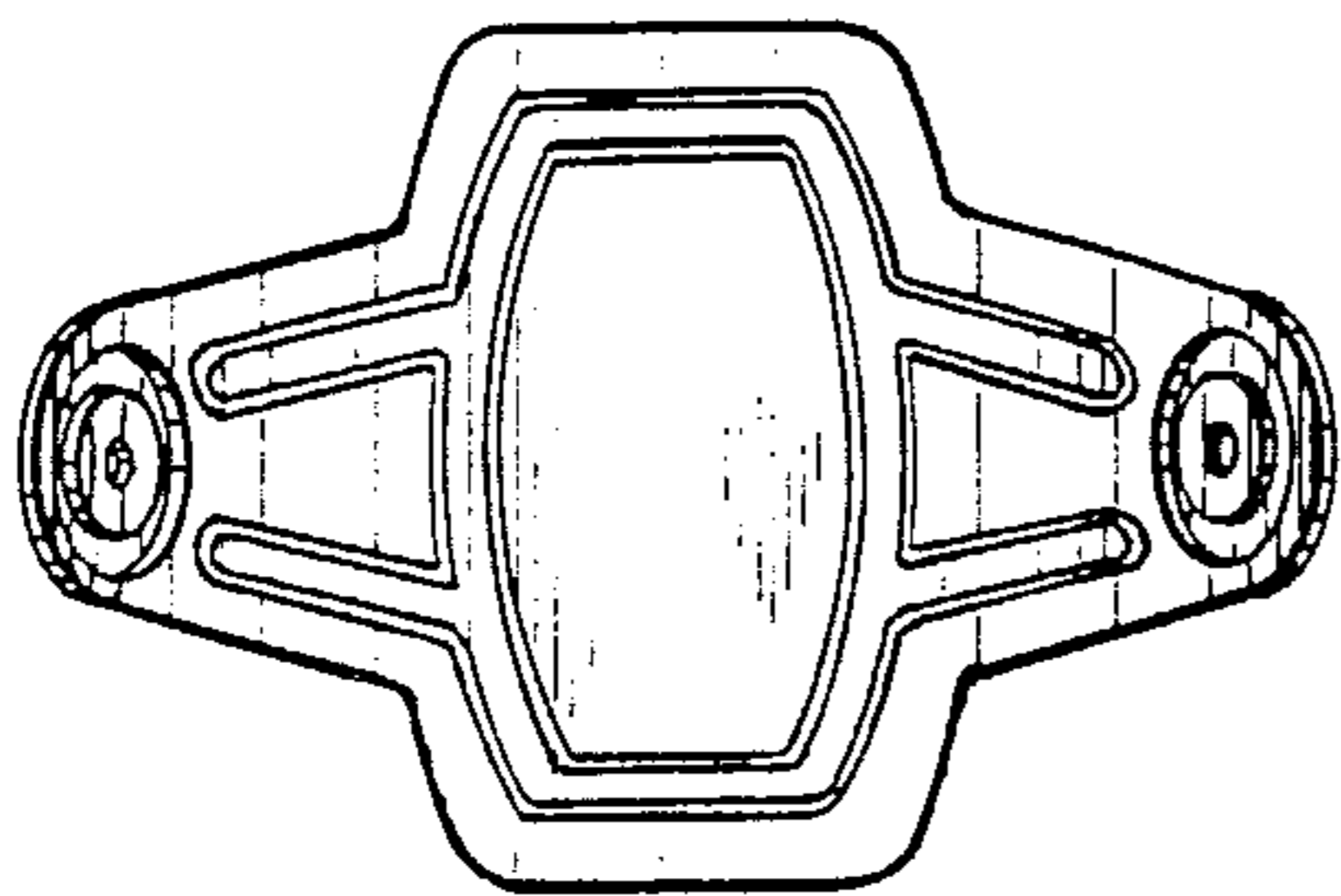


FIG. 3

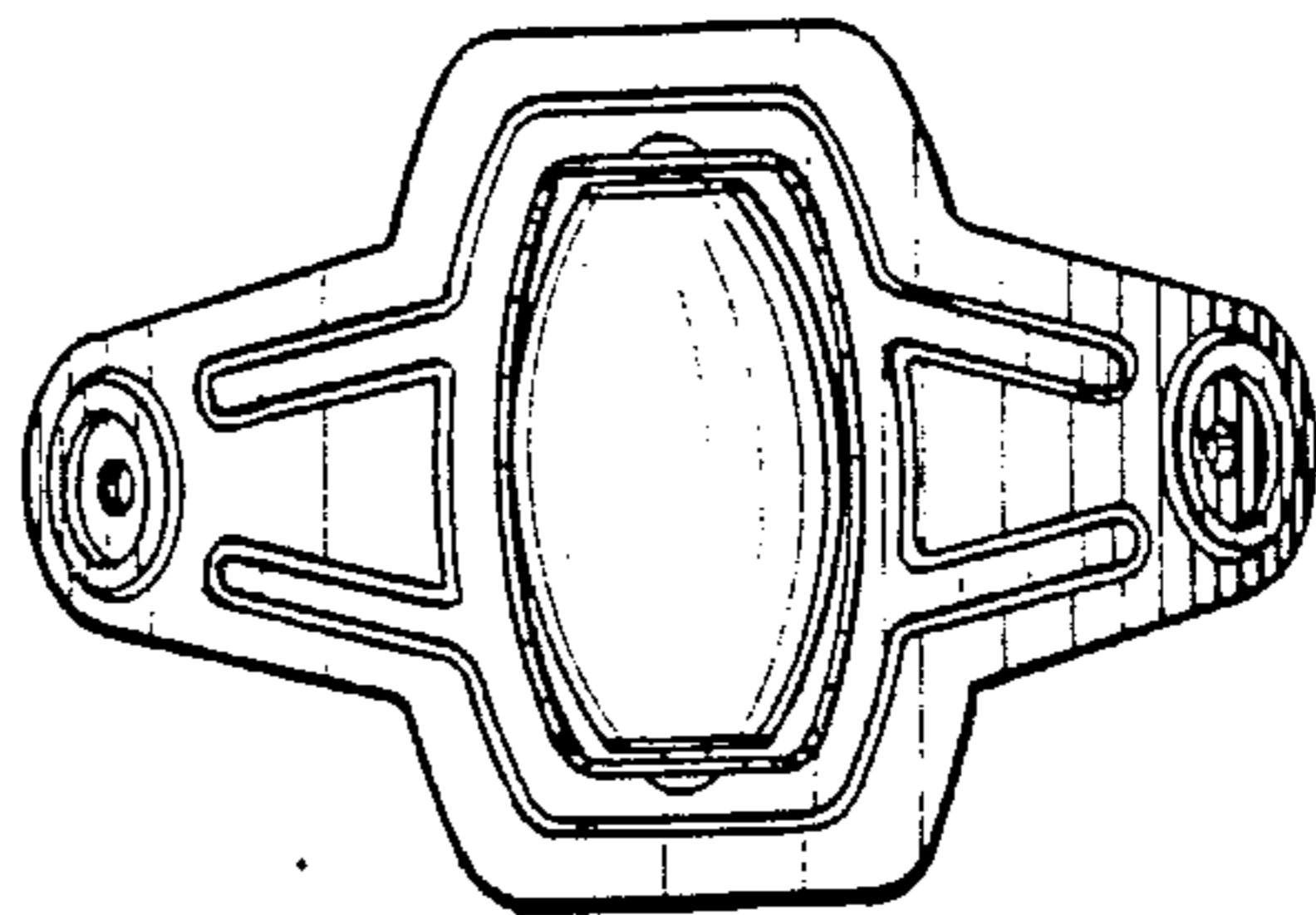


FIG. 4

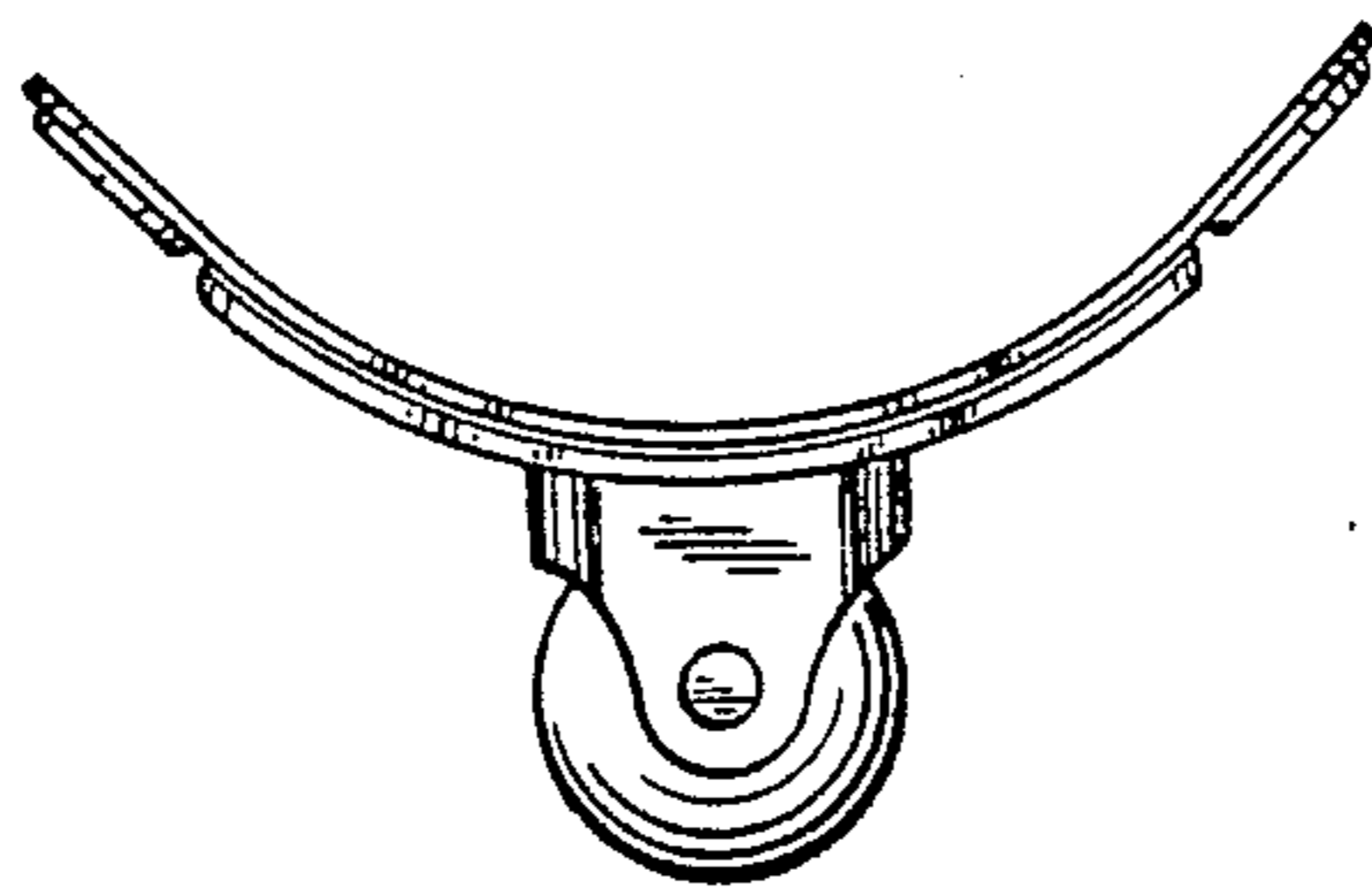


FIG. 5