

United States Patent [19]
Takahashi

[11] **Patent Number: Des. 292,872**

[45] **Date of Patent: ** Nov. 24, 1987**

[54] **SPACER**

[75] **Inventor: Katsumasa Takahashi, Nagoya, Japan**

[73] **Assignee: Kitagawa Industries Co., Ltd., Nagoya, Japan**

[**] **Term: 14 Years**

[21] **Appl. No.: 740,418**

[22] **Filed: Jun. 3, 1985**

[30] **Foreign Application Priority Data**

Dec. 14, 1984 [JP] Japan 59-51597
 [52] **U.S. Cl.** **D8/354**
 [58] **Field of Search** D8/349, 354; D13/99, D13/24; 174/138 D; 24/305, 297, 453, 326, 289, 292; 411/508, 509, 510

[56] **References Cited**

U.S. PATENT DOCUMENTS

3,651,545	3/1972	Hara	24/453
3,764,729	10/1973	Kowalewski	174/138 D
3,777,052	12/1973	Fegen	174/138 D
3,836,703	9/1974	Coules	174/138 D
3,889,320	6/1975	Koscik	24/297
4,143,577	3/1979	Eberhardt	174/138 D X
4,297,769	11/1981	Coules	174/138 D
4,470,178	9/1984	Matsui	24/289
4,495,380	1/1985	Ryan et al.	411/508
4,524,494	6/1985	Sato et al.	24/453
4,604,776	8/1986	Takahashi	174/138 D

FOREIGN PATENT DOCUMENTS

334537	9/1971	Japan	.
334538	9/1971	Japan	.
335922	10/1971	Japan	.
50-78744	1/1977	Japan 411/509
538786	8/1980	Japan	.
538787	8/1980	Japan	.
538788	8/1980	Japan	.

OTHER PUBLICATIONS

Richco Plastics Co., catalog, at p. 19; Circuit Bd Spacer; part No. DLCBS-3N, etc.

Primary Examiner—Wallace R. Burke
Assistant Examiner—Horace B. Fay
Attorney, Agent, or Firm—Oblon, Fisher, Spivak, McClelland, & Maier

[57] **CLAIM**

The ornamental design for a spacer, substantially as shown and described.

DESCRIPTION

FIG. 1 is a top plan view of a spacer showing my new design;
 FIG. 2 is a front elevational view thereof, the rear elevation view being substantially a mirror image;
 FIG. 3 is a right side elevational view thereof, the left side being substantially a mirror image;
 FIG. 4 is a sectional view taken along the line 4—4 of FIG. 2 in the direction of the arrows;
 FIG. 5 is a sectional view taken along line 5—5 of FIG. 2 in the direction of the arrows;
 FIG. 6 is a sectional view taken along line 6—6 of FIG. 2 in the direction of the arrows; and
 FIG. 7 is a perspective view thereof from above.

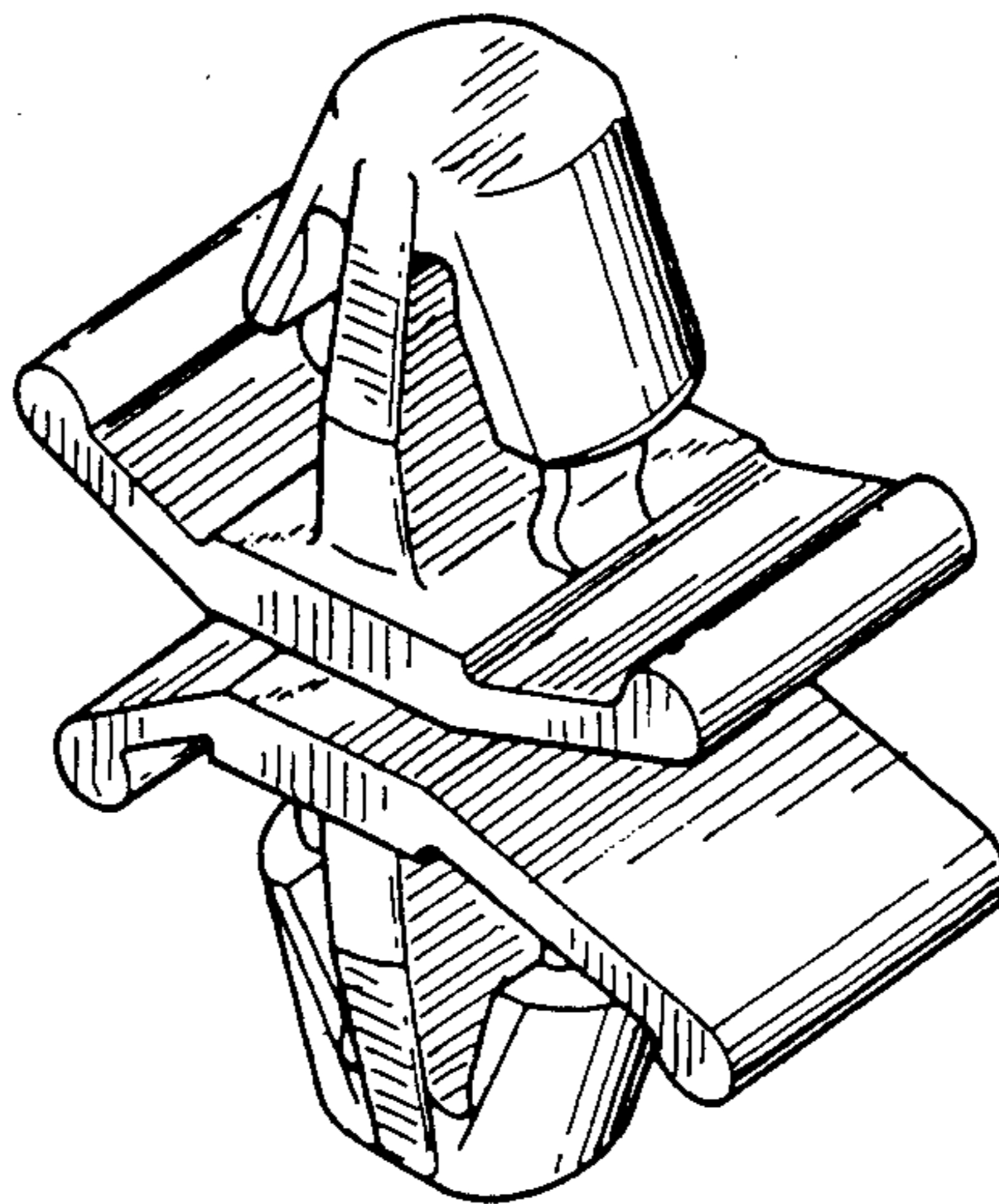


Fig. 1

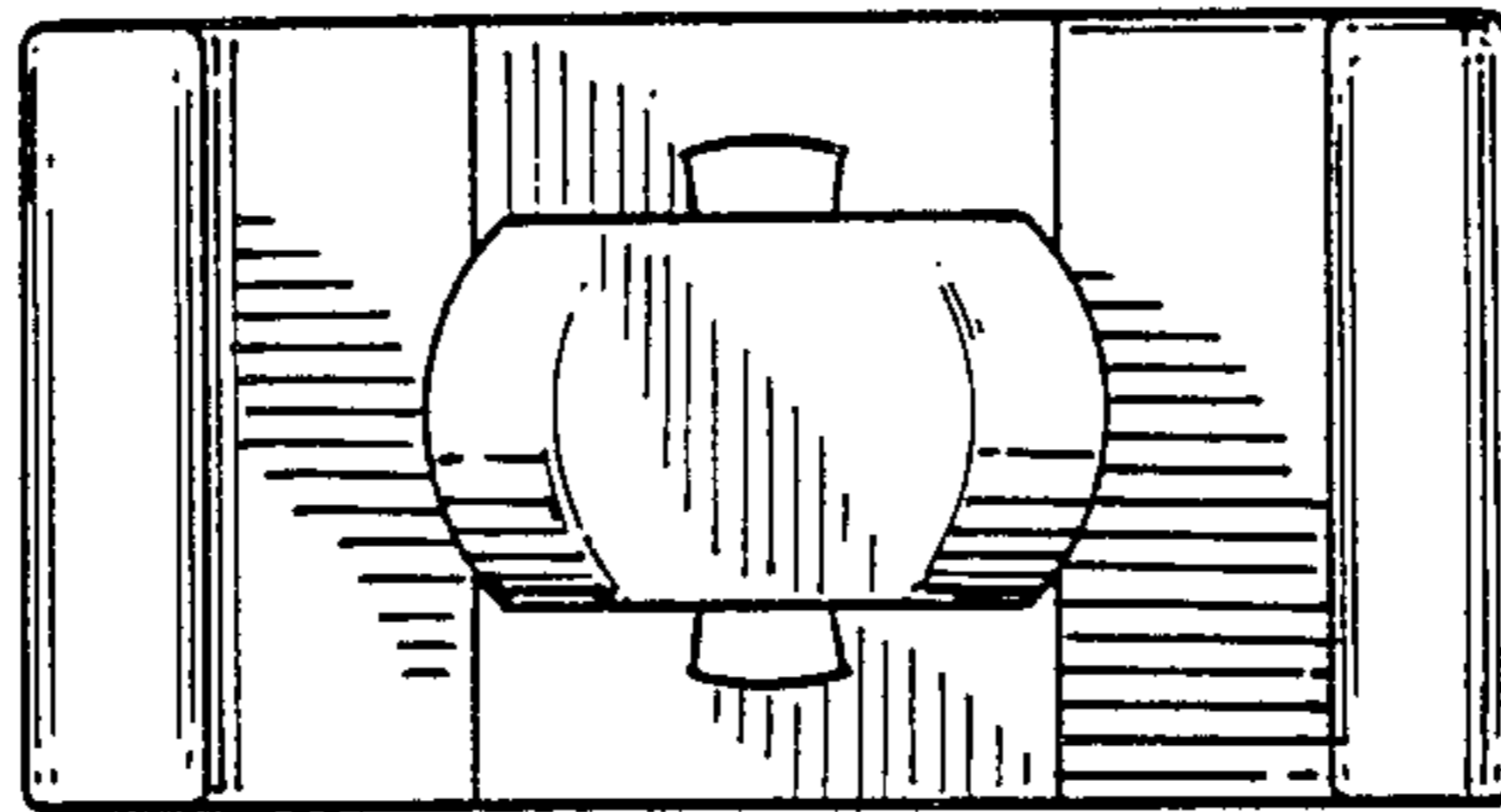


Fig. 2

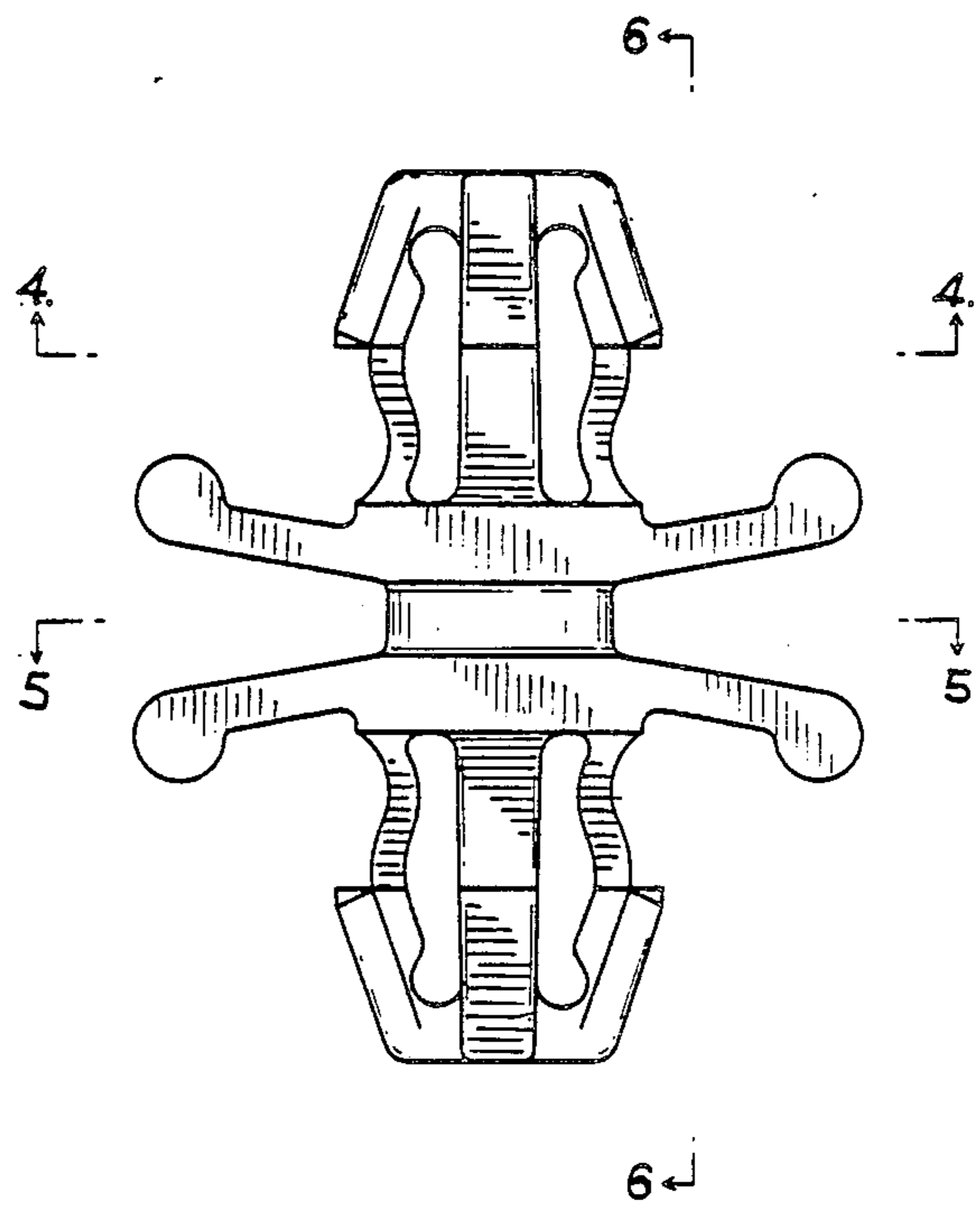


Fig. 3

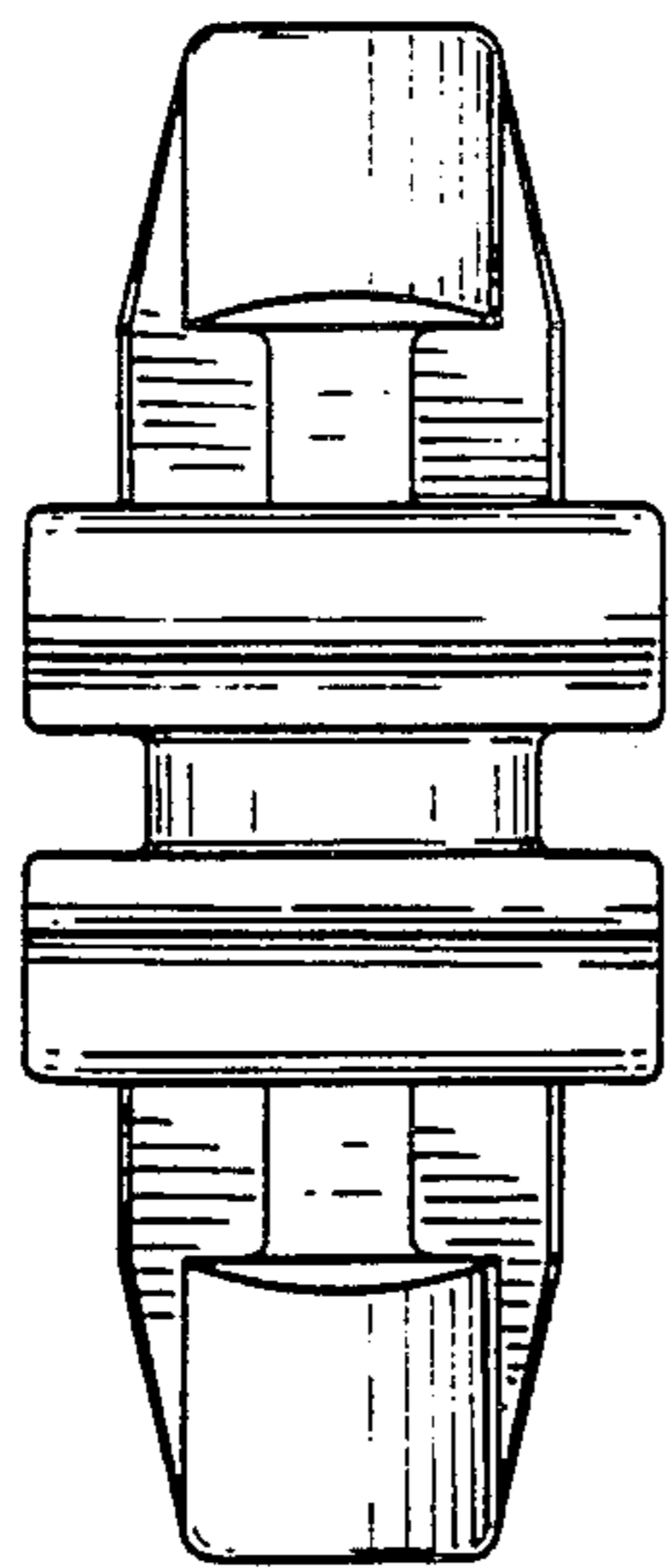


Fig. 4

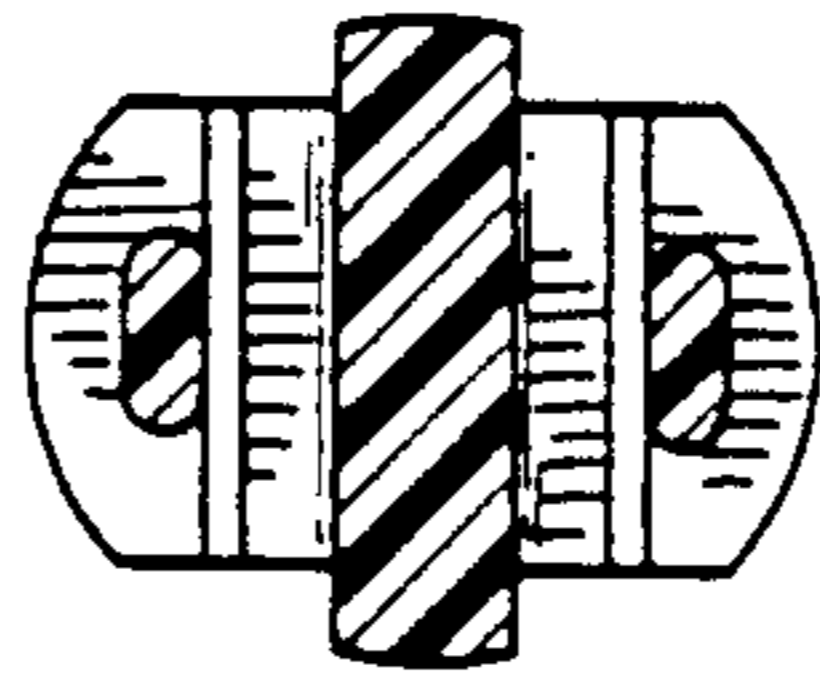


Fig. 5

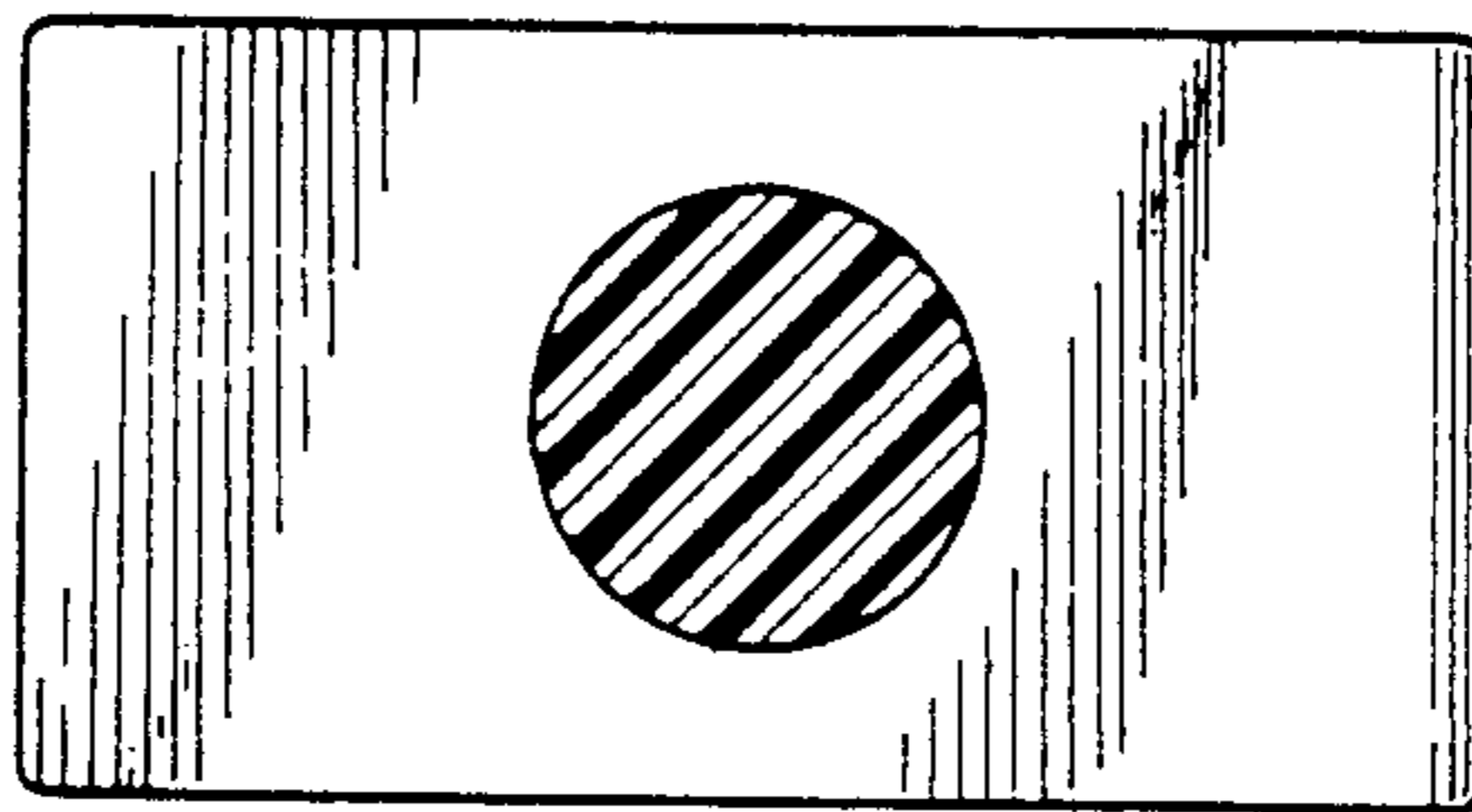


Fig. 6

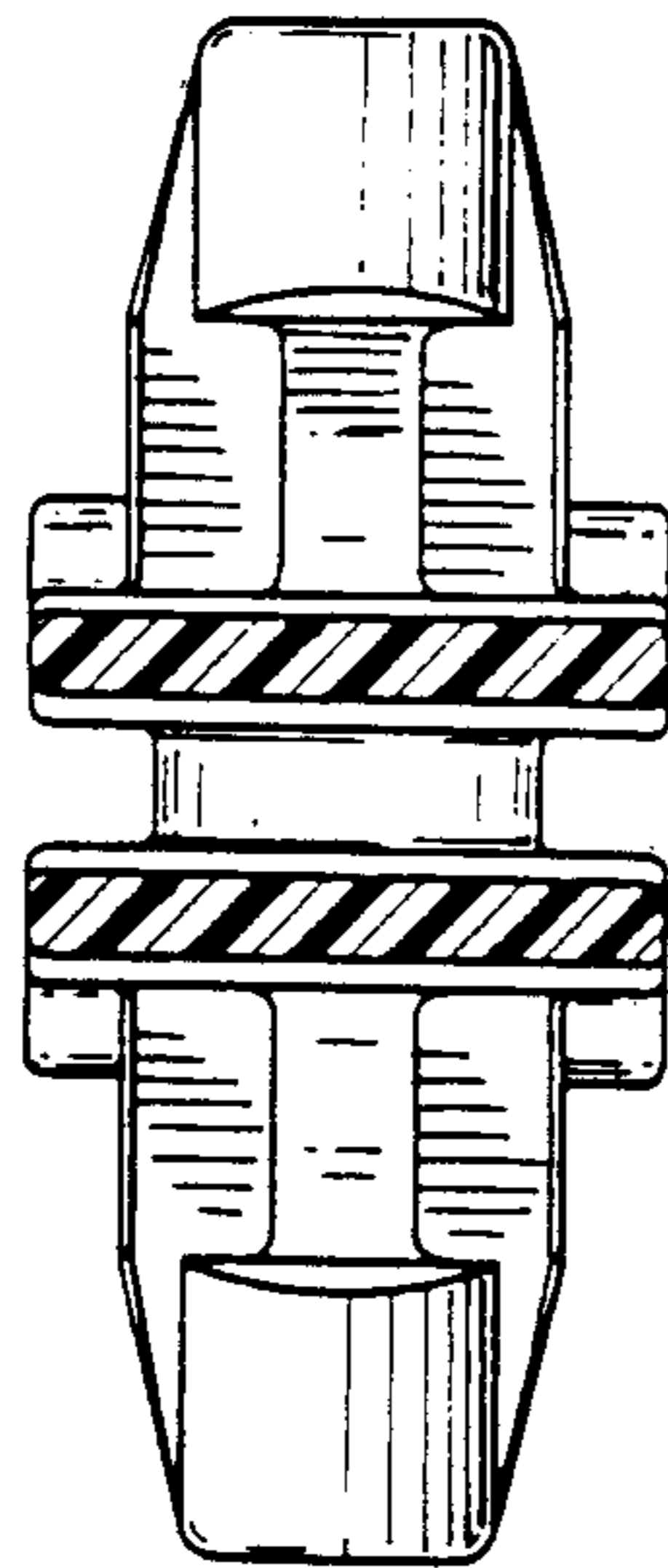


Fig. 7

