

[54] **SPACER**  
 [75] **Inventor: Yoshitoki Hayashi, Aichi, Japan**  
 [73] **Assignee: Kitagawa Industries Co., Ltd., Nagoya, Japan**  
 [\*\*] **Term: 14 Years**  
 [21] **Appl. No.: 740,417**  
 [22] **Filed: Jun. 3, 1985**

[30] **Foreign Application Priority Data**

Dec. 21, 1984 [JP] Japan ..... 59-52739  
 [52] **U.S. Cl. .... D8/354**  
 [58] **Field of Search ..... D8/349, 354; D13/99, D13/24; 174/138 D; 24/305, 297, 292, 453, 326, 289; 411/508, 509, 510**

[56] **References Cited**

**U.S. PATENT DOCUMENTS**

D. 278,330 4/1985 Hill ..... D13/24  
 3,651,734 3/1972 McSherry ..... 174/138 D  
 3,764,729 10/1973 Kowolewski ..... 174/138 D  
 3,777,052 12/1973 Fegen ..... 24/305  
 3,889,320 6/1975 Koscik ..... 24/297  
 3,909,883 10/1975 Fegen ..... 174/138 D  
 4,143,577 3/1979 Eberhardt ..... 85/5 R  
 4,297,769 11/1981 Coules ..... 174/138 D  
 4,470,178 9/1984 Matsui ..... 24/289  
 4,495,380 1/1985 Ryan et al. .... 411/508  
 4,524,494 6/1985 Sato et al. .... 24/453

**FOREIGN PATENT DOCUMENTS**

2201058 7/1973 Fed. Rep. of Germany ..... 411/508

33-4537 7/1958 Japan .  
 33-4538 7/1958 Japan .  
 33-5922 8/1958 Japan .  
 53-8787 6/1978 Japan .  
 53-8786 4/1978 Japan .  
 53-8788 6/1978 Japan .  
 2142377A 1/1985 United Kingdom ..... 403/252

**OTHER PUBLICATIONS**

Richco Plastics, Co., 3/21/79; p. 19, Spacer Part No. DLCBS-3n, etc.

*Primary Examiner*—Wallace R. Burke  
*Assistant Examiner*—Horace B. Fay  
*Attorney, Agent, or Firm*—Oblon, Fisher, Spivak, McClelland, & Maier

[57] **CLAIM**

The ornamental design for a spacer, substantially as shown and described.

**DESCRIPTION**

FIG. 1 is a top plan view of a spacer showing my new design;  
 FIG. 2 is a front elevational view thereof, the rear view being substantially a mirror image;  
 FIG. 3 is a bottom plan view thereof;  
 FIG. 4 is a right side elevational view thereof, the left side view being substantially a mirror image;  
 FIG. 5 is a sectional view taken along line 5—5 of FIG. 2;  
 FIG. 6 is a sectional view taken along line 6—6 of FIG. 2; and  
 FIG. 7 is a sectional view taken along line 6—6 of FIG. 2.

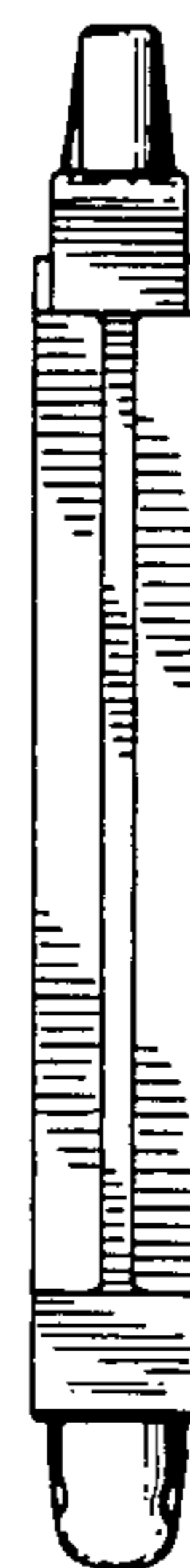
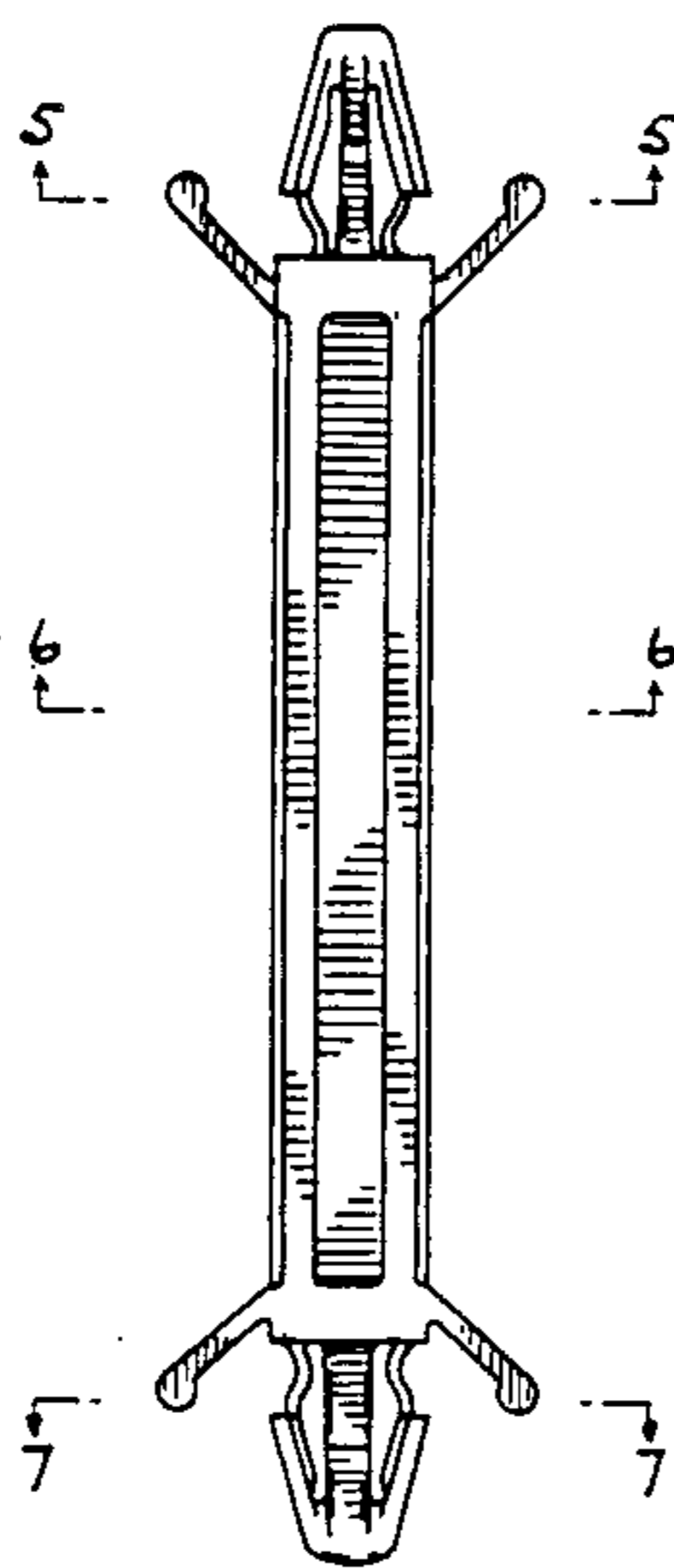


Fig. 1

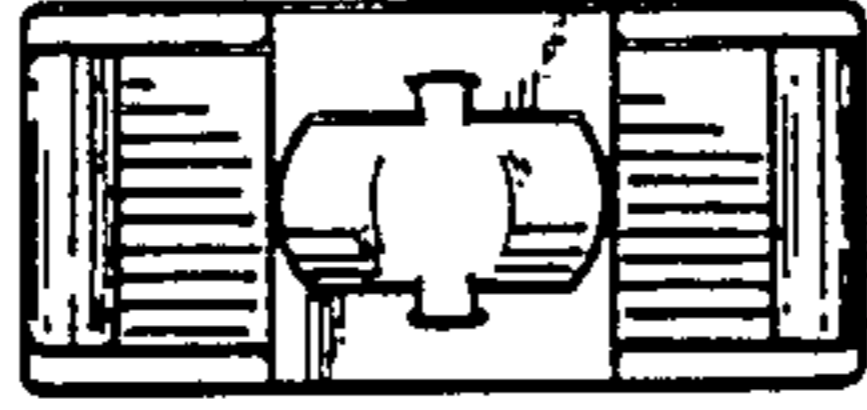


Fig. 3

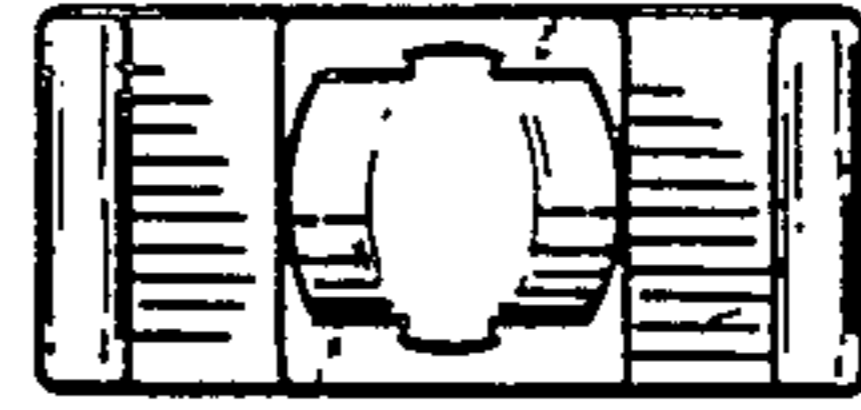


Fig. 2

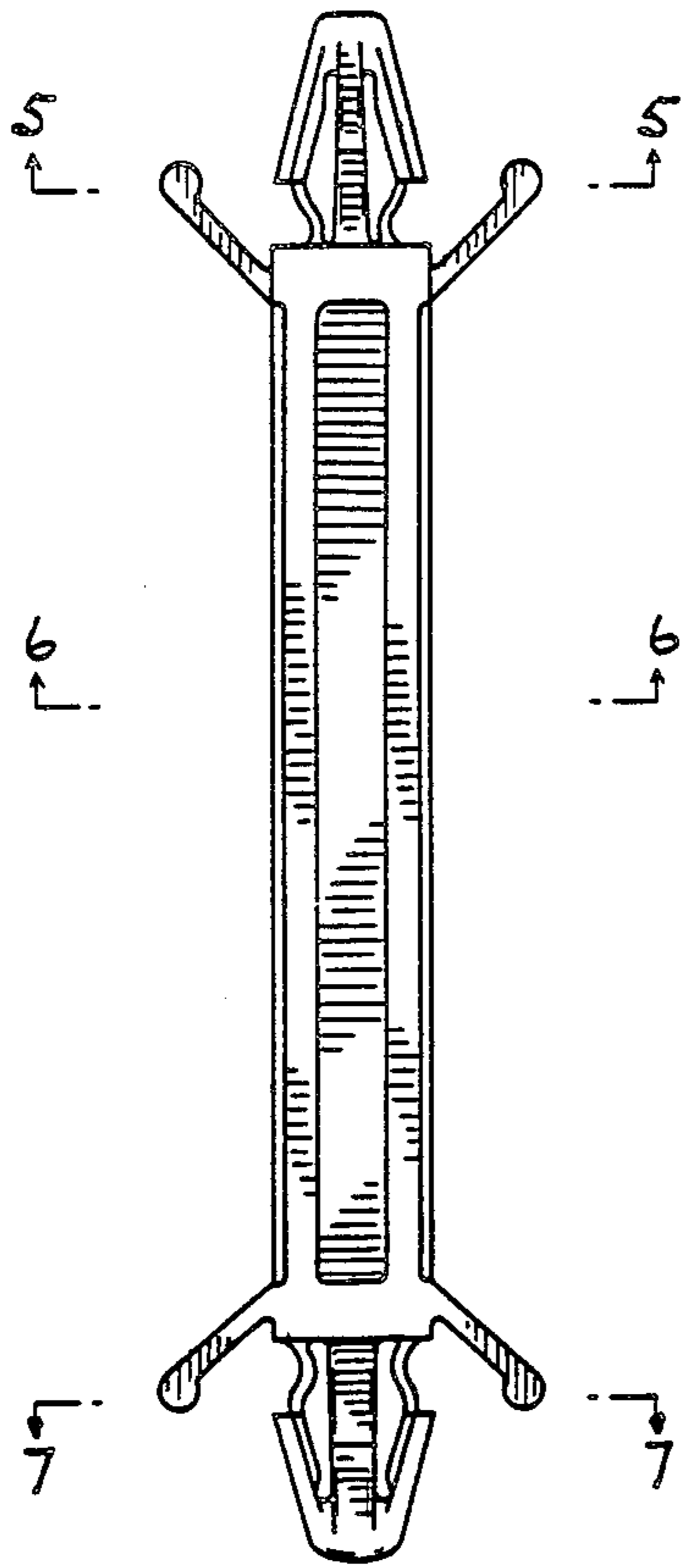


Fig. 4

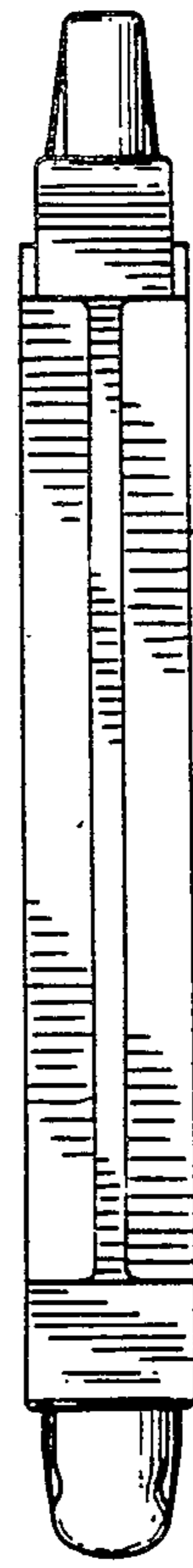


Fig. 5

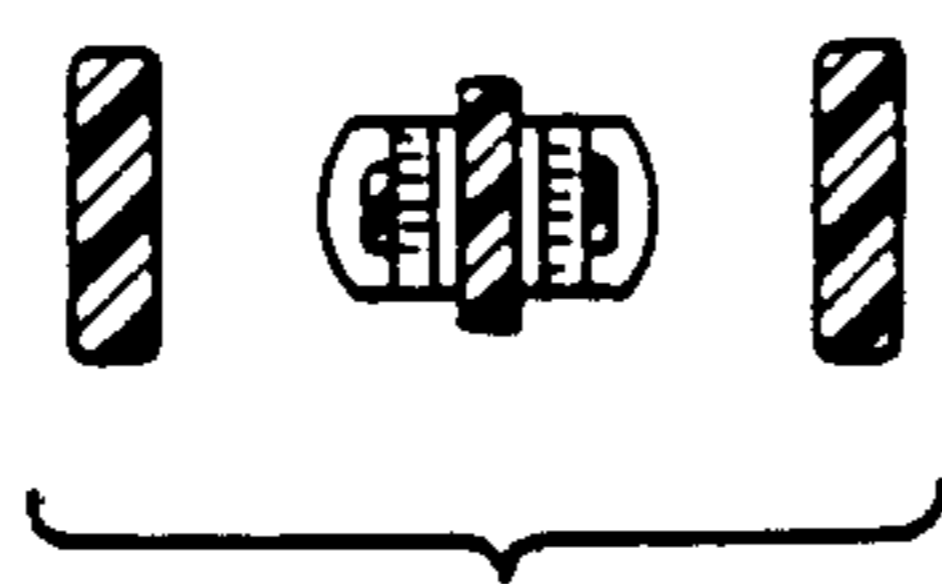


Fig. 6



Fig. 7

