

United States Patent [19] Carbone

[11] Patent Number: **Des. 292,870**

[45] Date of Patent: **** Nov. 24, 1987**

[54] **BOAT GUIDE ROLLER ASSEMBLY**

[76] Inventor: **Luigi Carbone**, 938-942 Port Road,
Woodville West, South Australia,
Australia, 5011

[**] Term: **14 Years**

[21] Appl. No.: **708,219**

[22] Filed: **Mar. 5, 1985**

[52] U.S. Cl. **D8/354; D8/373**

[58] Field of Search **D8/354, 356, 380;
280/414.1; 414/534; 114/365, 344; D12/317**

[56] **References Cited**

U.S. PATENT DOCUMENTS

D. 259,240 5/1981 Myror D12/317 X
3,756,439 9/1973 Johnson 414/534

3,888,367 6/1975 Cox 414/534 X
3,892,320 7/1975 Moore 414/534
3,917,087 11/1975 Godbersen 414/534
4,448,438 5/1984 DeWalk 414/534 X
4,620,716 11/1986 Carbone 280/414.1

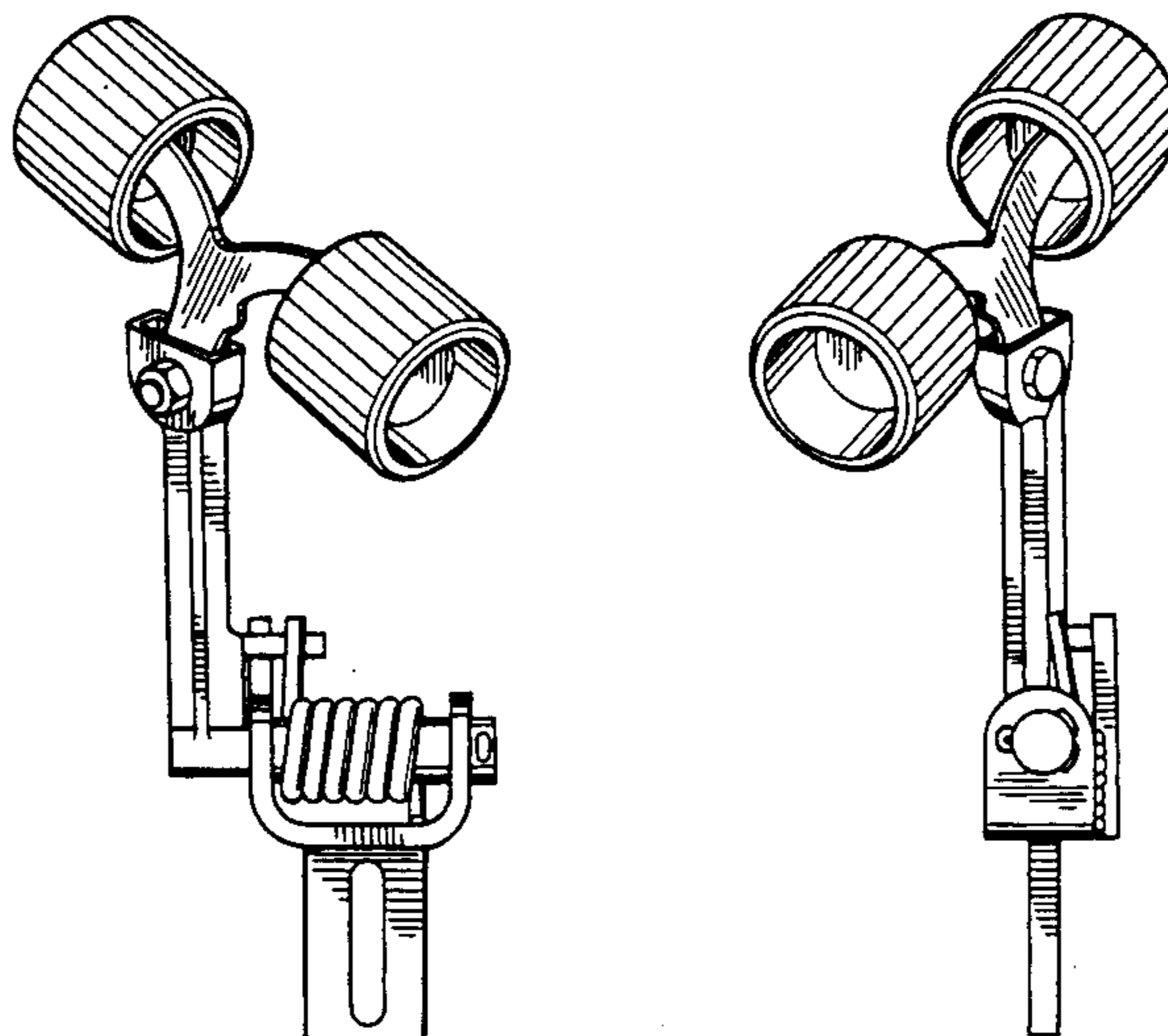
Primary Examiner—Wallace R. Burke
Assistant Examiner—Horace B. Fay
Attorney, Agent, or Firm—Brown, Martin, Haller &
Meador

[57] **CLAIM**

The ornamental design for a boat guide roller assembly,
substantially as shown and described.

DESCRIPTION

FIG. 1 is a top plan view of a boat guide roller assembly
showing my new design;
FIG. 2 is a front elevational view thereof; and
FIG. 3 is an end elevational view thereof.



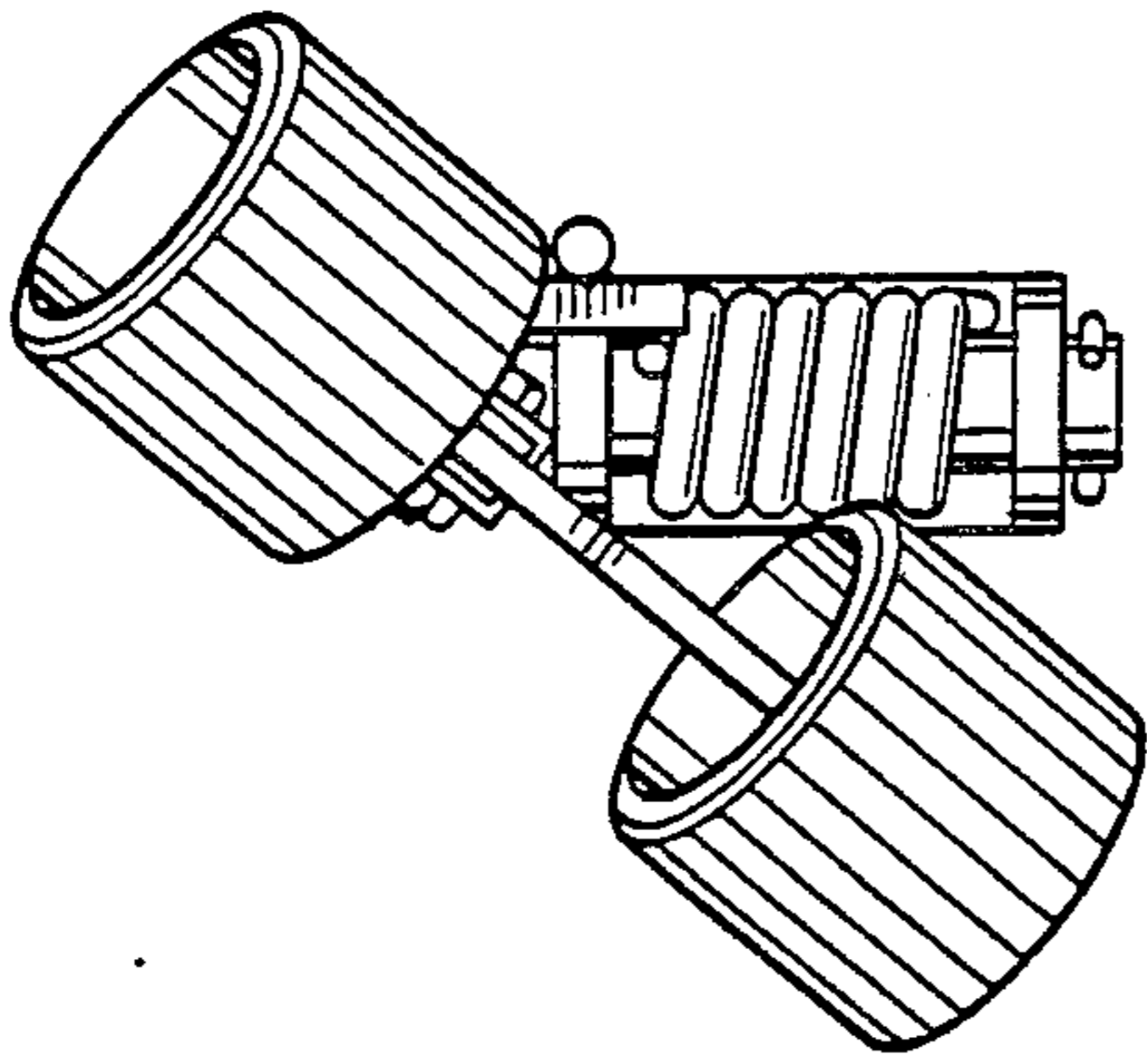


FIG 1

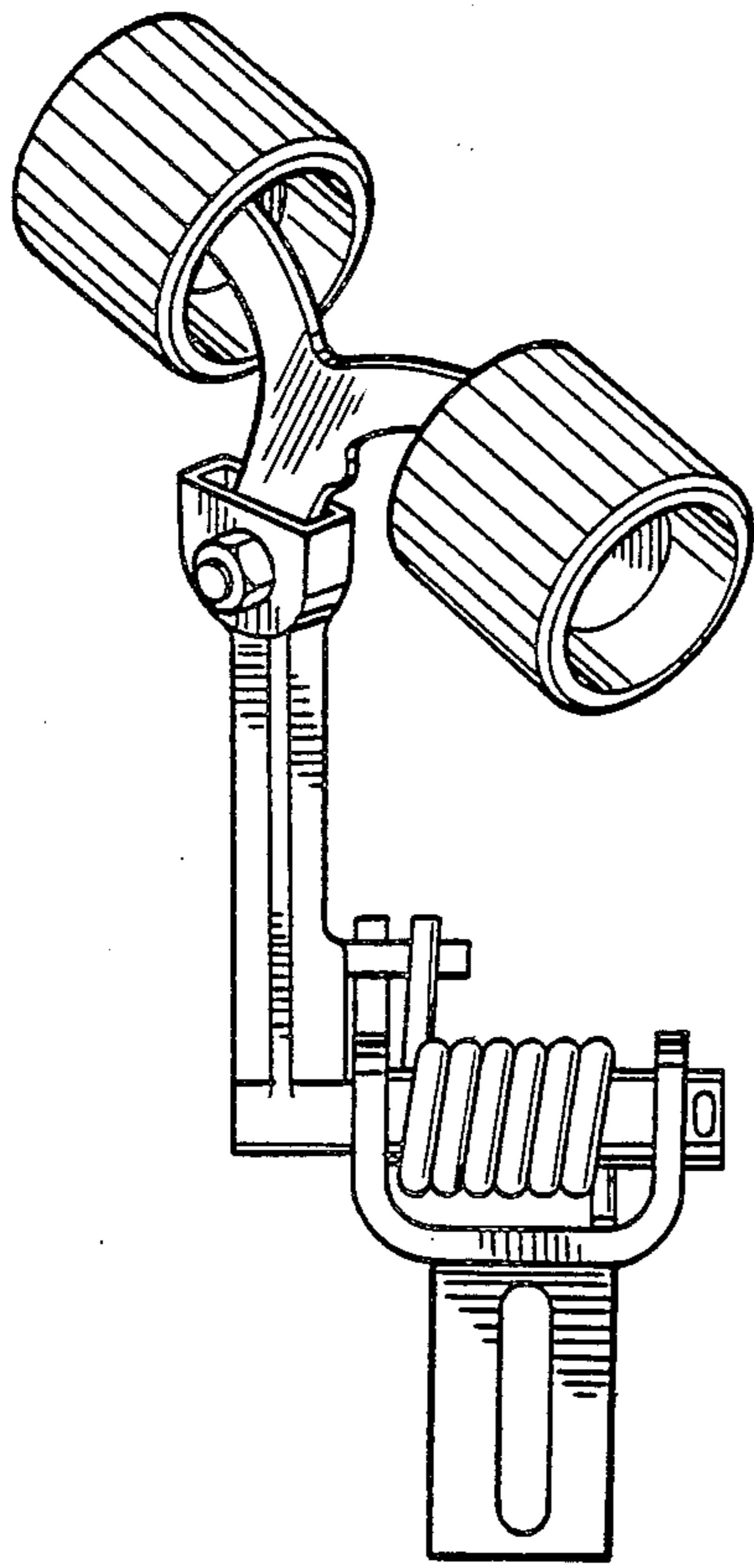


FIG 2

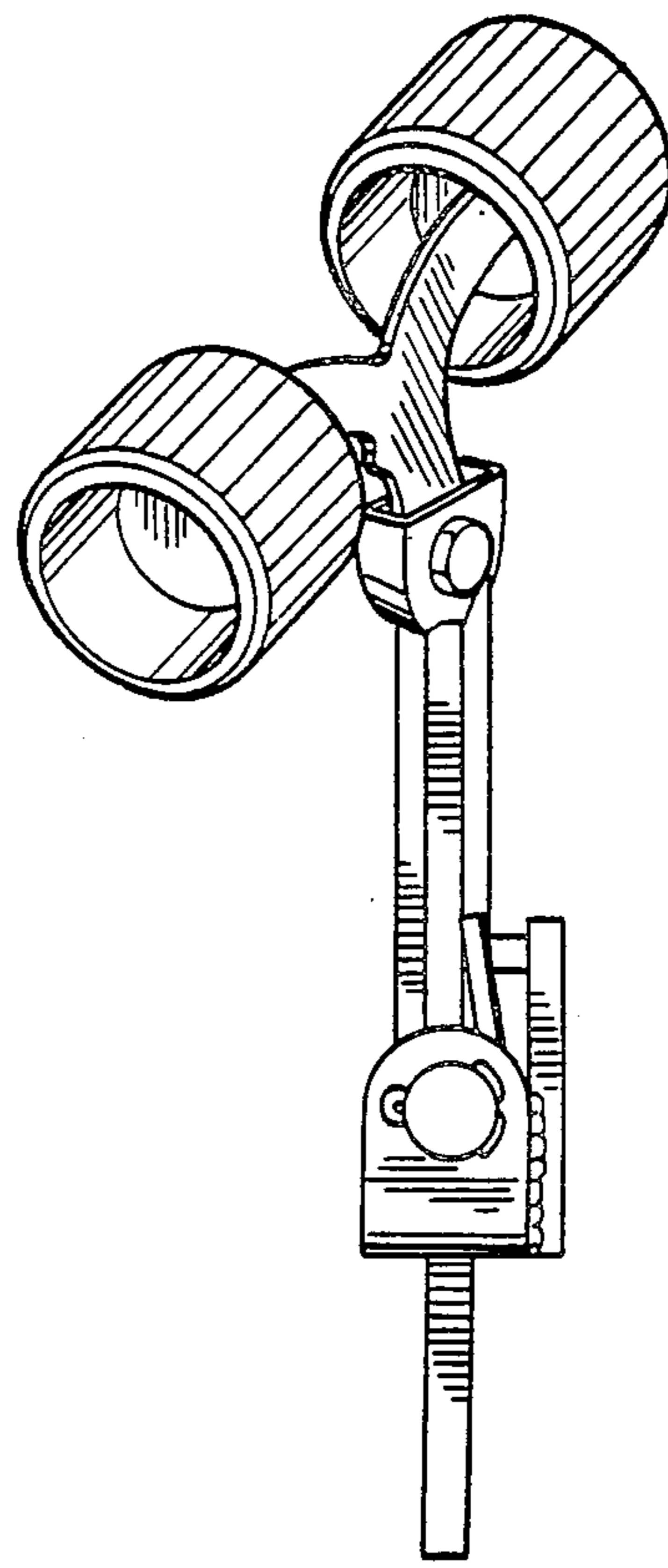


FIG 3