

United States Patent [19]
Lebrecht

[11] **Patent Number: Des. 292,869**

[45] **Date of Patent: ** Nov. 24, 1987**

[54] **COVER AND SEAL UNIT FOR A PADLOCK**

4,224,813 9/1980 Hampton 70/51
4,317,344 3/1982 Barnard 70/55

[75] **Inventor: Horst Lebrecht, West Allis, Wis.**

[73] **Assignee: Master Lock Company, Milwaukee, Wis.**

Primary Examiner—Wallace R. Burke
Assistant Examiner—Brian N. Vinson
Attorney, Agent, or Firm—Pennie & Edmonds

[**] **Term: 14 Years**

[57] **CLAIM**

[21] **Appl. No.: 699,096**

The ornamental design for a cover and seal unit for a padlock, substantially as shown and described.

[22] **Filed: Feb. 7, 1985**

[52] **U.S. Cl. D8/346**

[58] **Field of Search D8/330-346;**
70/1, 50-52, 54-56, 431, 440, 443, 448, DIG.
43; 292/307 B

DESCRIPTION

FIG. 1 is a top perspective view of a cover and seal unit for a padlock showing my new design, the broken line showing of the padlock being for illustrative purposes only and forming no part of the claimed design;

FIG. 2 is a side elevational view thereof, the opposite side being a mirror image;

FIG. 3 is an end elevational view thereof;

FIG. 4 is an opposite end elevational view thereof;

FIG. 5 is a top plan view thereof; and

FIG. 6 is a bottom view thereof.

[56] **References Cited**

U.S. PATENT DOCUMENTS

D. 243,150 1/1977 Dykes D8/334 X
2,375,488 5/1945 Olson 70/54 X
3,453,758 7/1969 Soref et al. 70/54

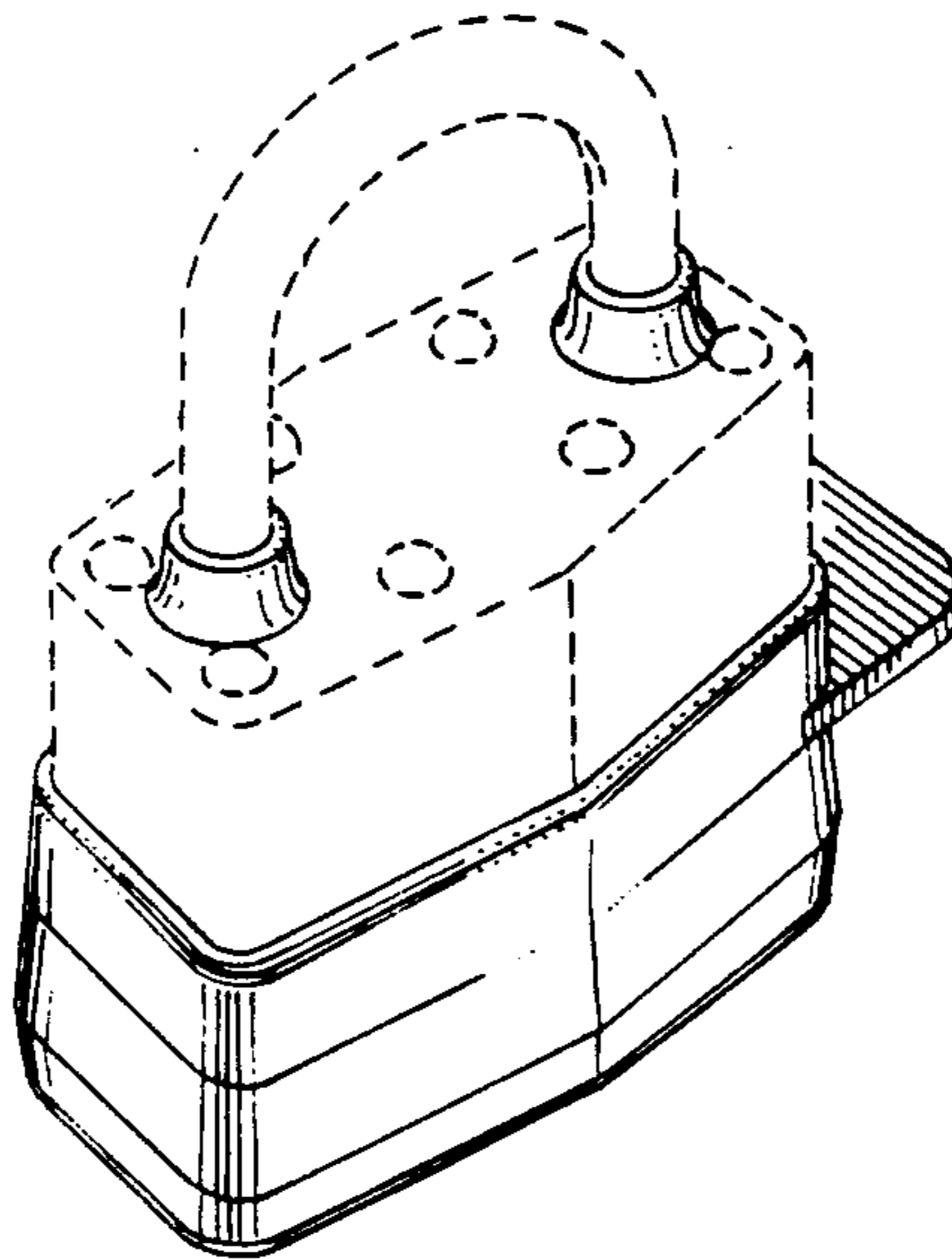


FIG. 1

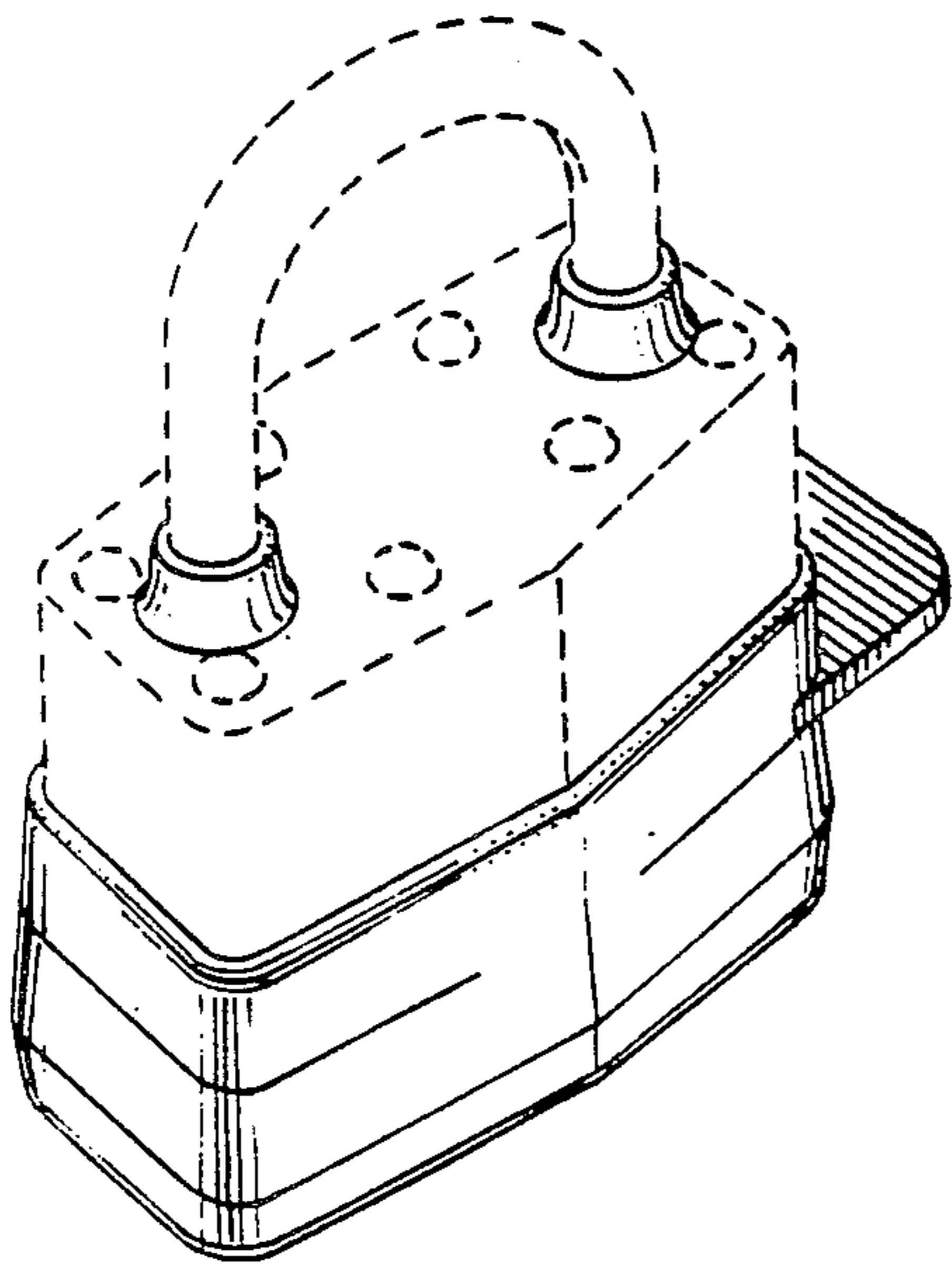


FIG. 2

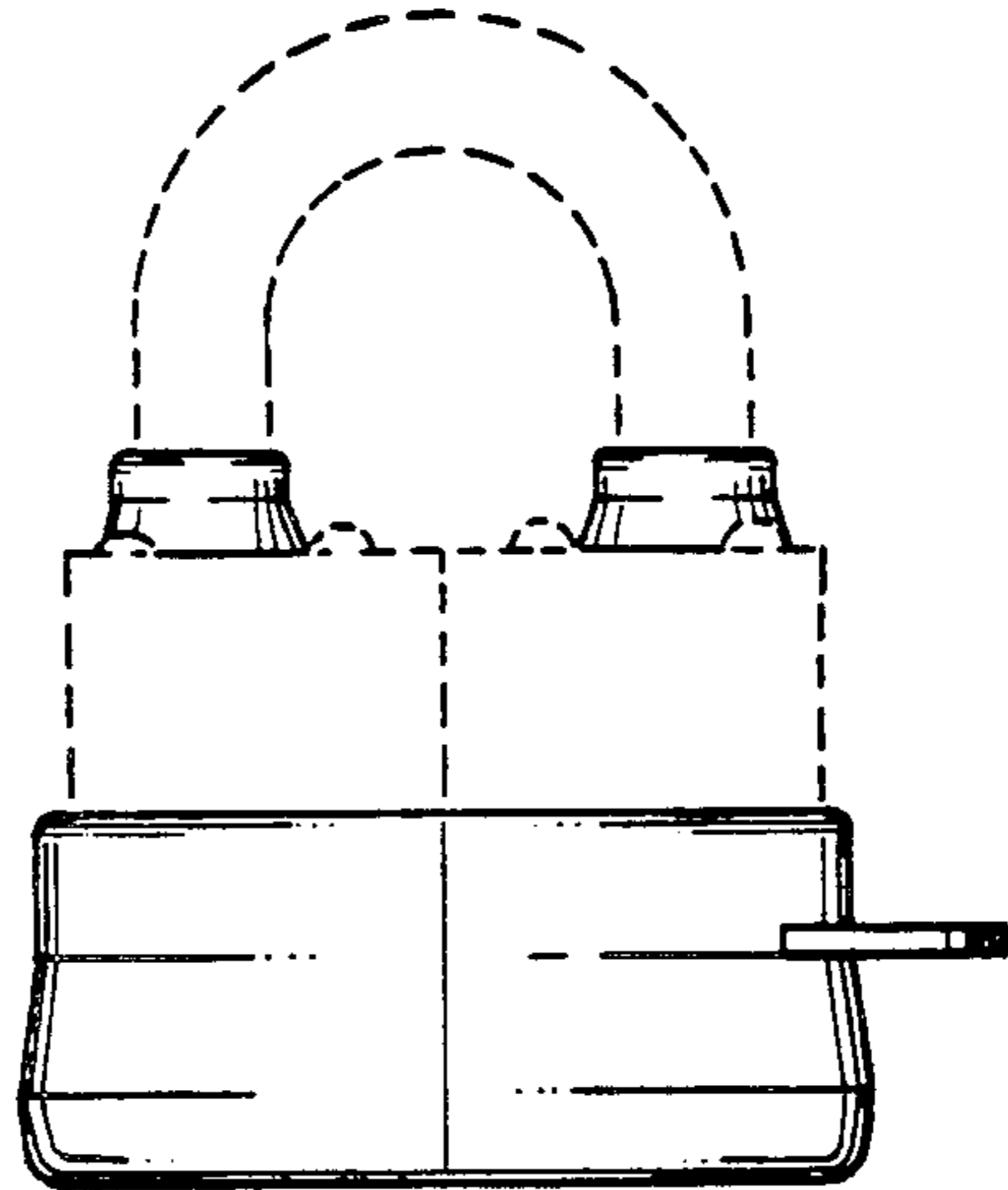


FIG. 3

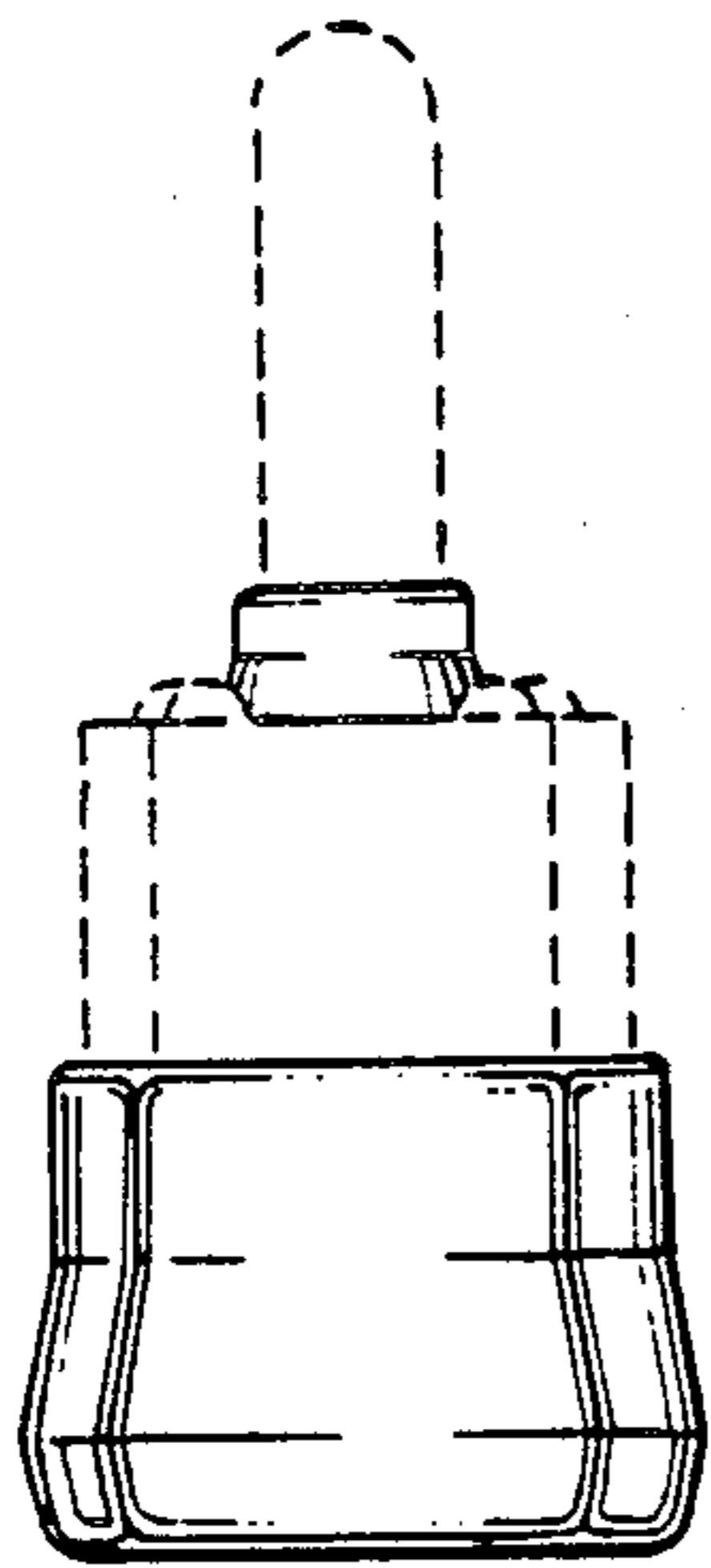


FIG. 4

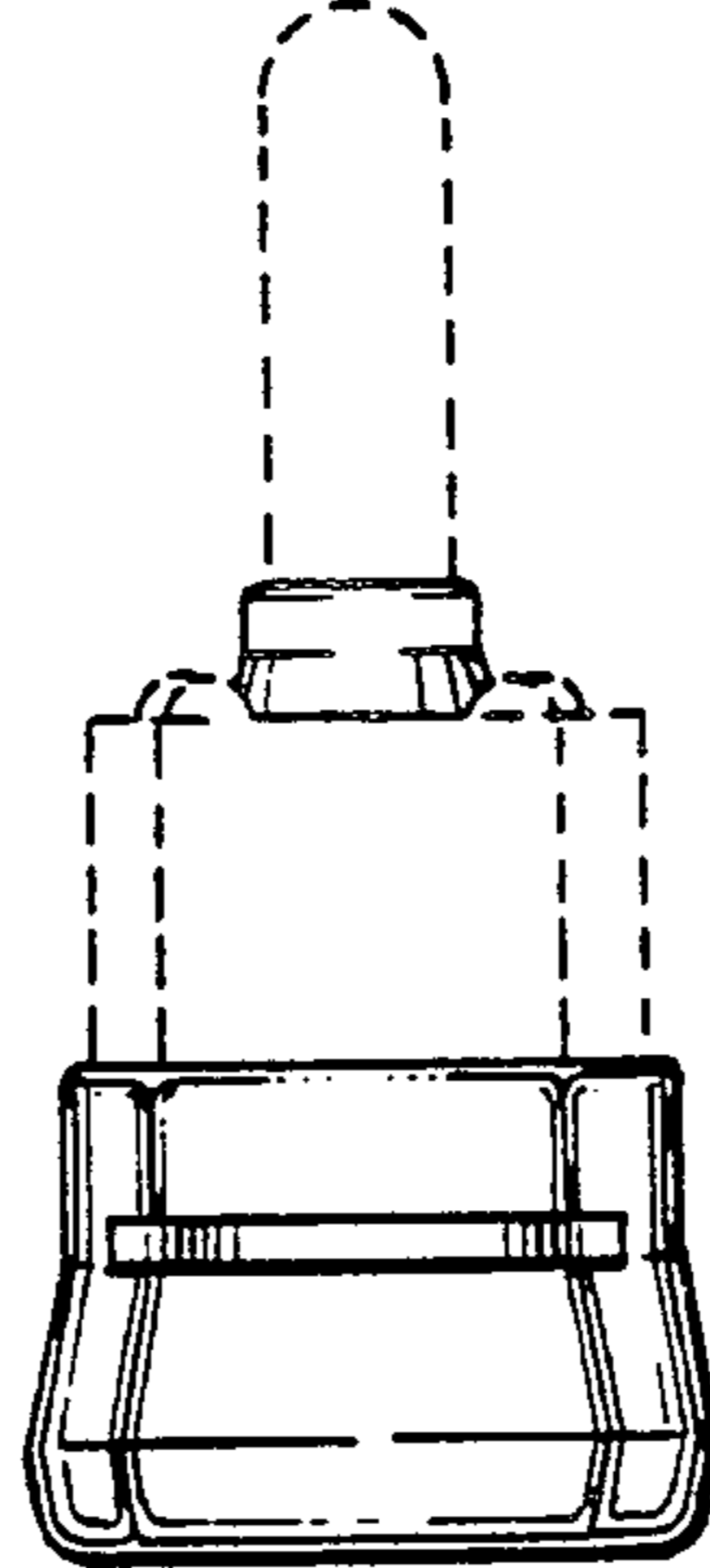


FIG. 5

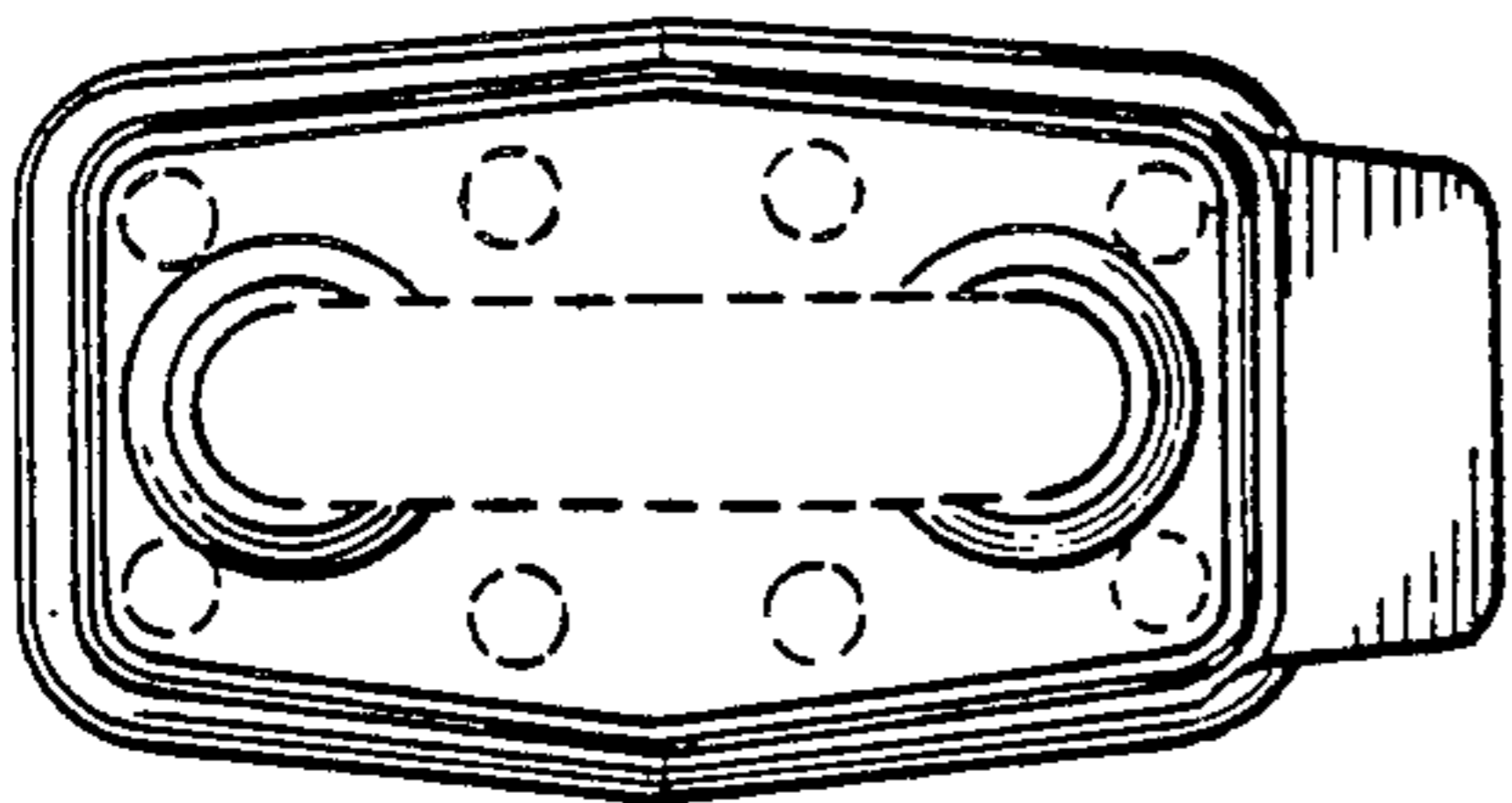


FIG. 6

