

United States Patent [19]
Johansson

[11] **Patent Number: Des. 292,863**
[45] **Date of Patent: ** Nov. 24, 1987**

[54] **ROTISSERIE GRILL**

[75] **Inventor: Jan E. Johansson, Alingsås, Sweden**

[73] **Assignee: AB Electrolux, Sweden**

[**] **Term: 14 Years**

[21] **Appl. No.: 812,006**

[22] **Filed: Dec. 23, 1985**

[30] **Foreign Application Priority Data**

Aug. 8, 1985 [SE] Sweden 851927
[52] **U.S. Cl.** **D7/338**
[58] **Field of Search** **D7/323, 331-332,**
D7/334, 337-341, 346-348, 406-409; 99/341,
343, 385, 393, 395-396, 400-402, 419, 422, 425,
444, 339, 325-327, 329 R, 330-331

[56] **References Cited**

U.S. PATENT DOCUMENTS

D. 177,055	3/1956	Levin	D7/338
D. 238,471	1/1976	Rodenck	D7/338
D. 239,685	4/1976	Peterson	D7/338
D. 254,308	2/1980	Polak et al.	D7/338
3,090,294	5/1963	Rodman	99/341
3,901,136	8/1975	Wilson et al.	99/341

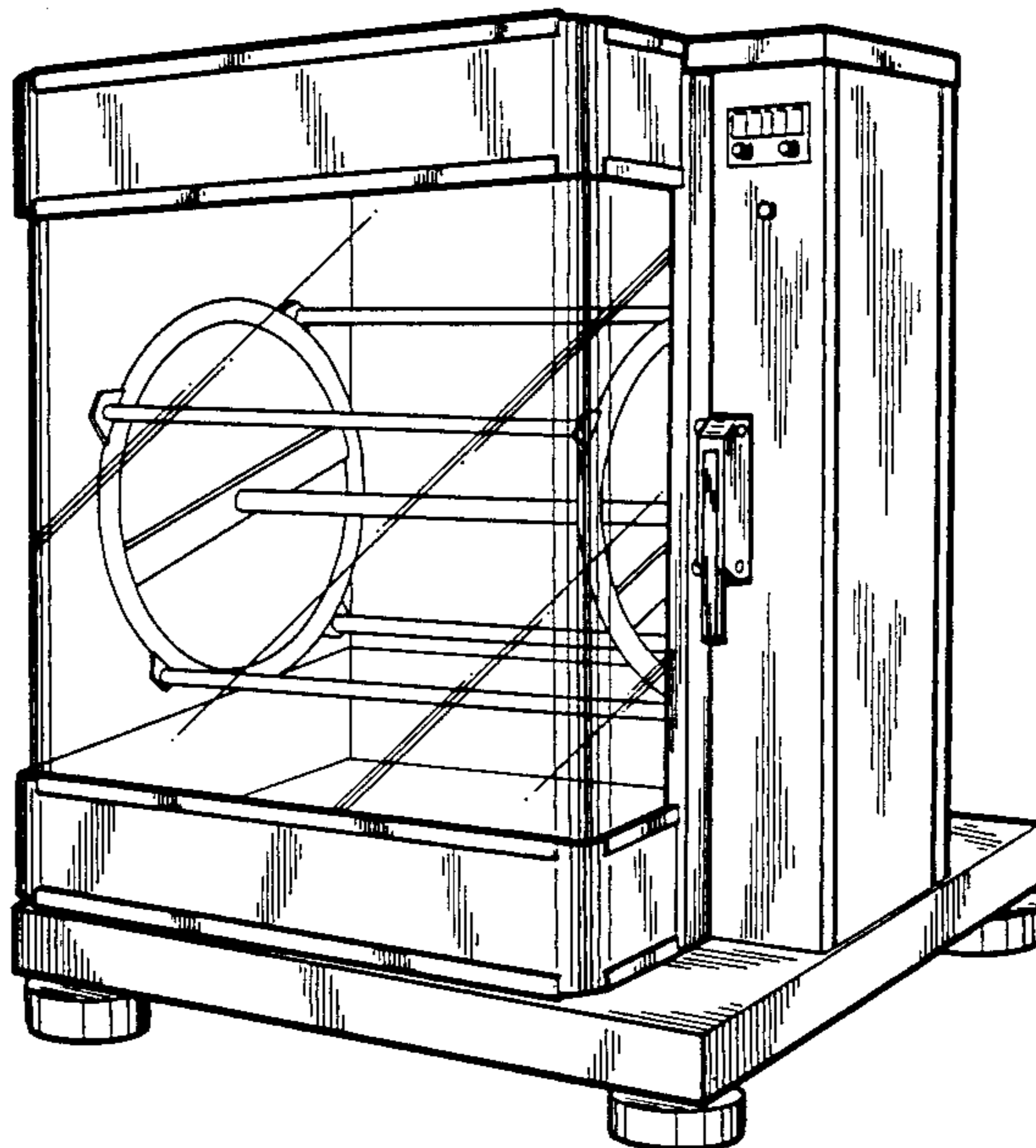
Primary Examiner—Wallace R. Burke
Assistant Examiner—Ruth E. Takemoto
Attorney, Agent, or Firm—Alfred E. Miller

[57] **CLAIM**

The ornamental design for a rotisserie grill, as shown and described.

DESCRIPTION

FIG. 1 is a front perspective view of a rotisserie grill showing my new design;
FIG. 2 is a rear perspective view thereof;
FIG. 3 is a bottom plan view thereof;
FIG. 4 is a top plan view thereof.



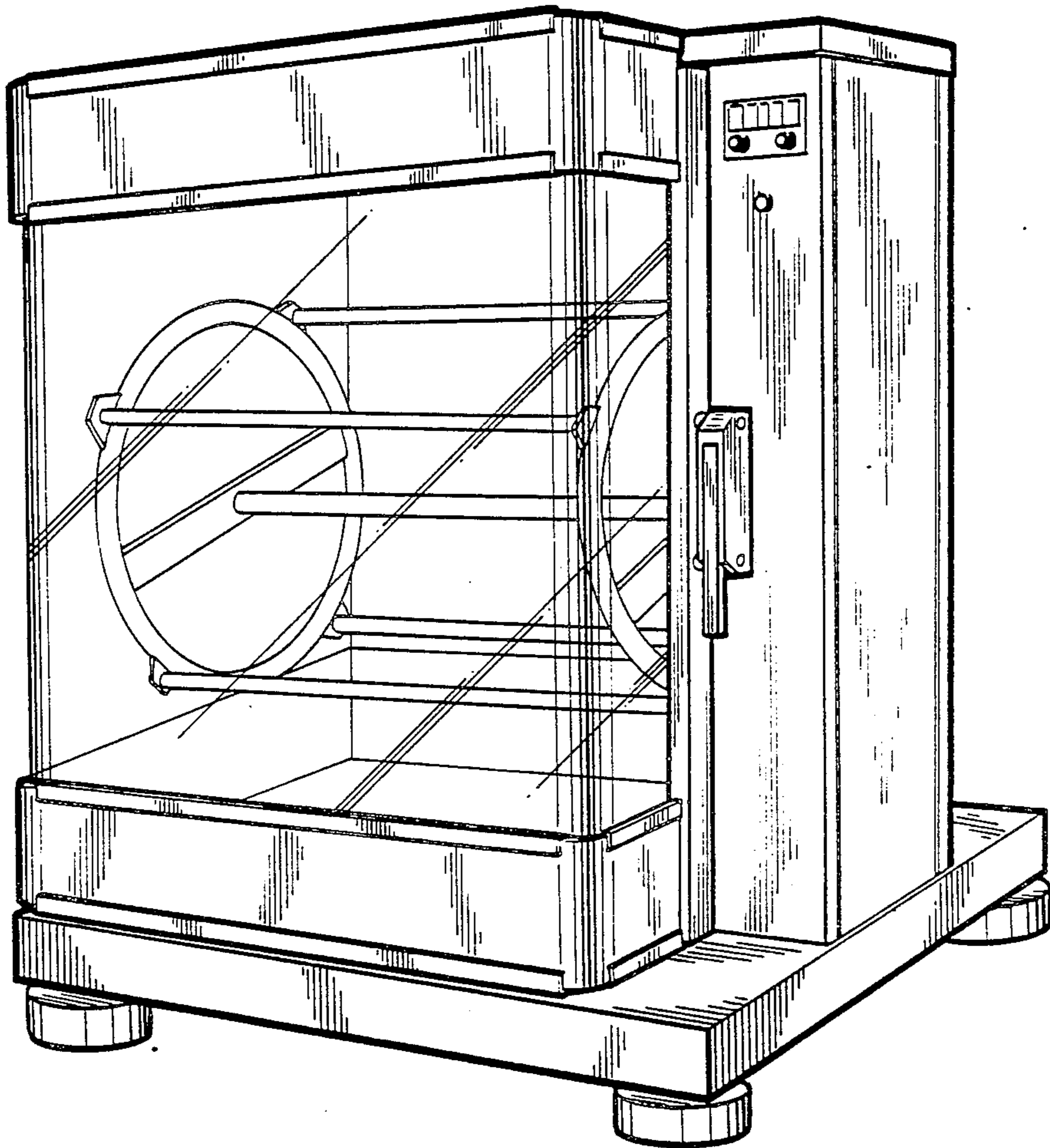


FIG. 1

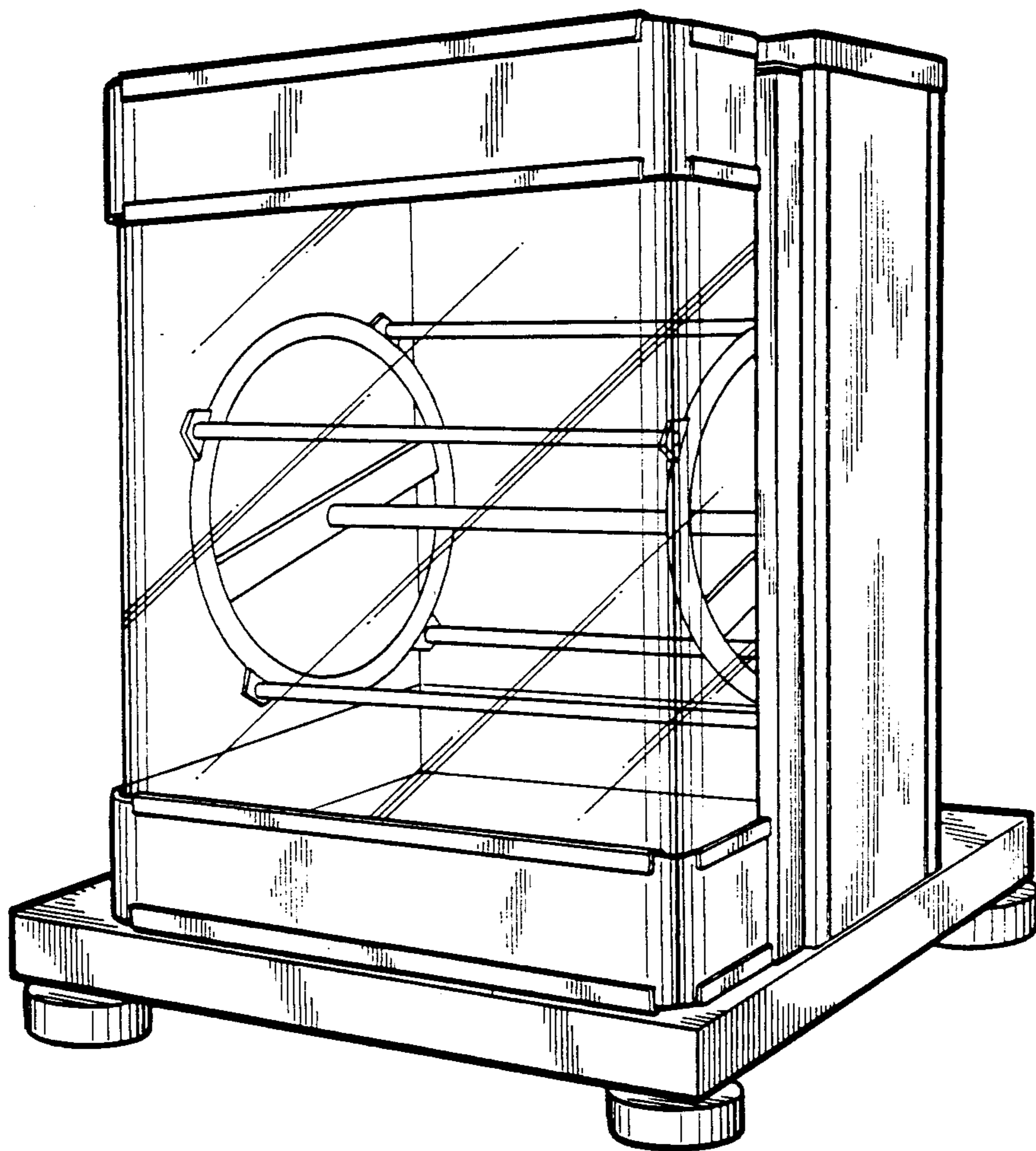


FIG. 2

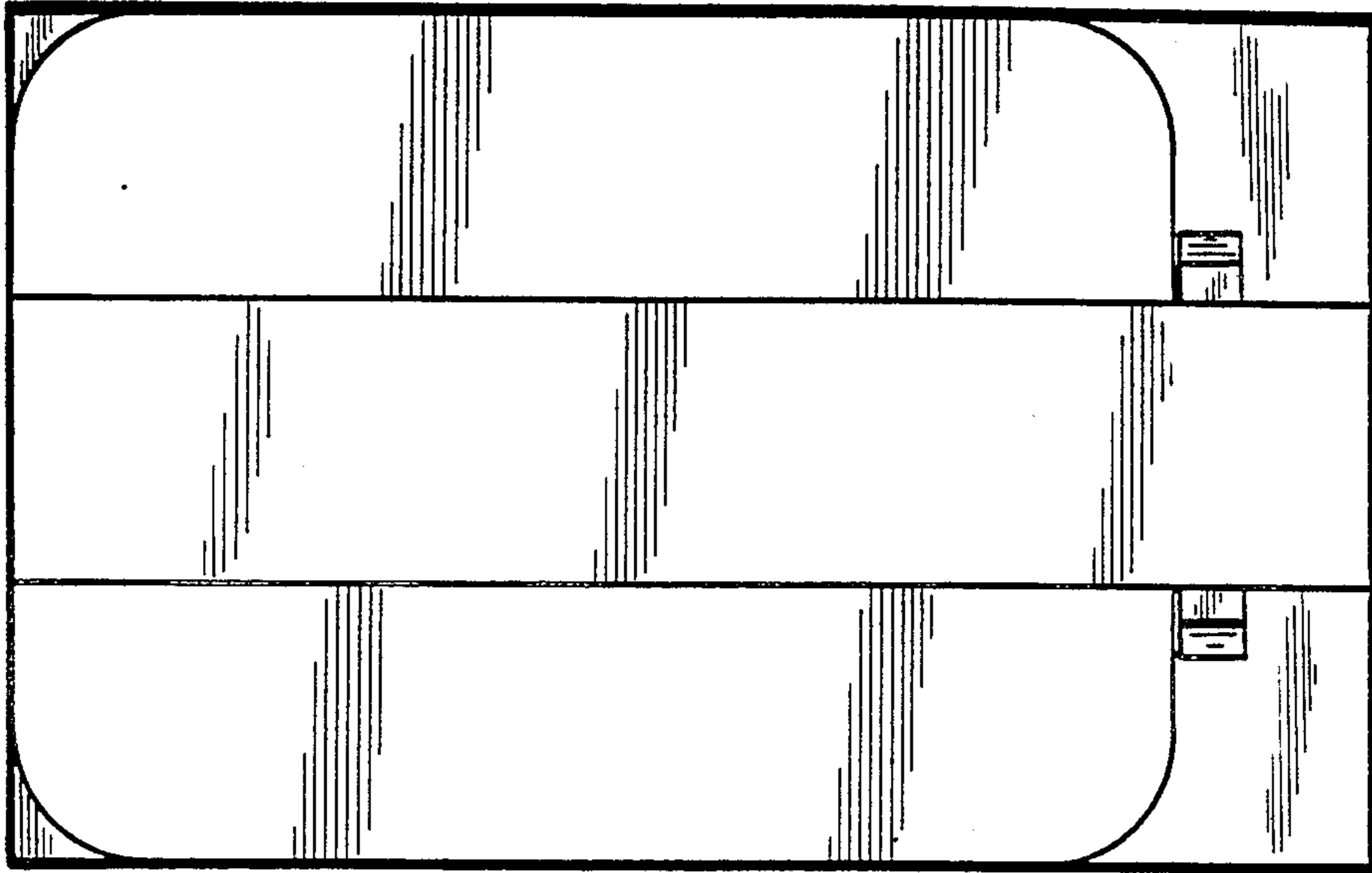


FIG. 4

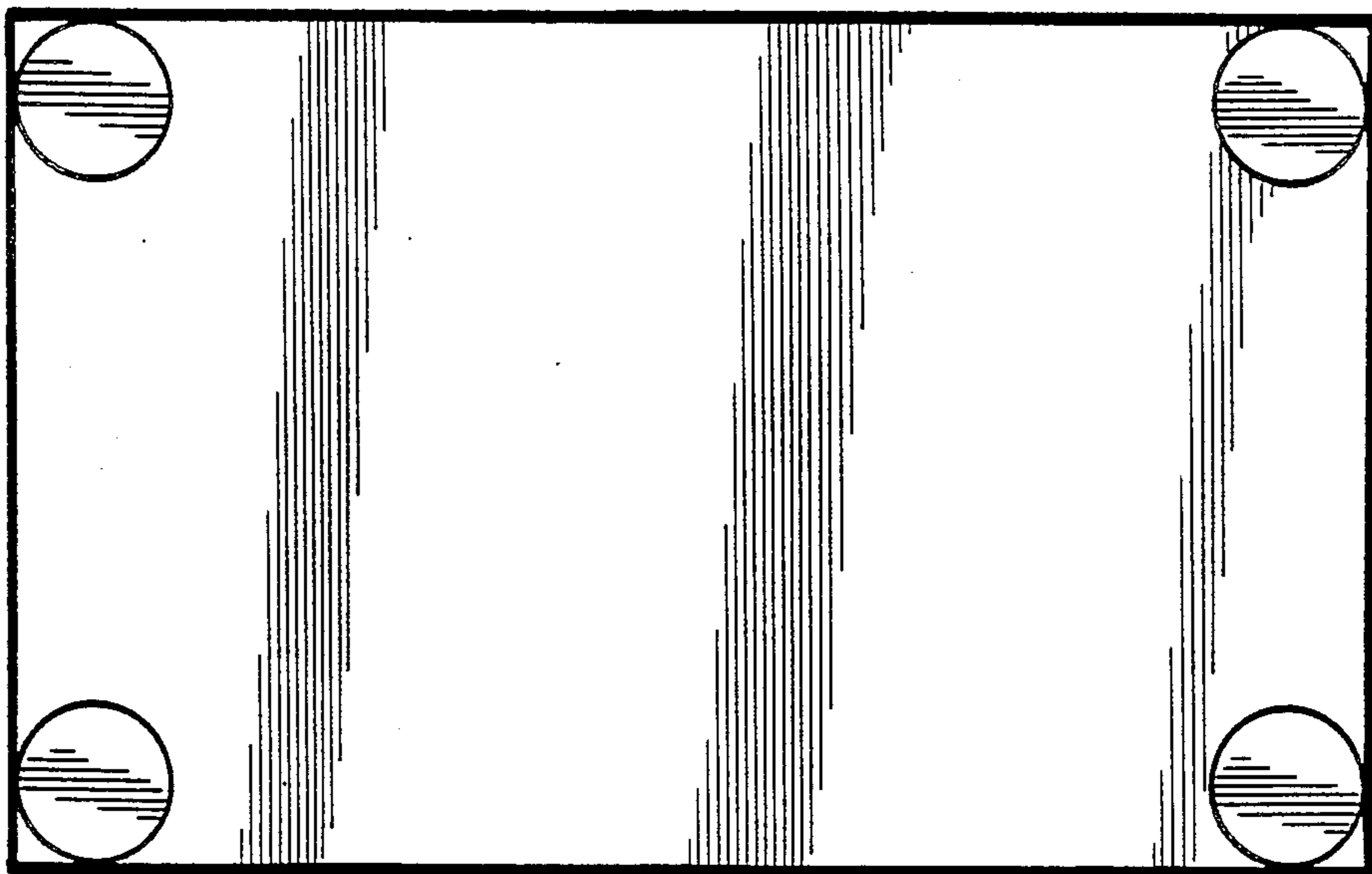


FIG. 3