

United States Patent [19]
Motta

[11] **Patent Number: Des. 292,860**
[45] **Date of Patent: ** Nov. 24, 1987**

[54] **CLOSET SHELF**

[76] **Inventor: Kenneth F. Motta, 176 Mahogany Dr., Naples, Fla. 33963**

[**] **Term: 14 Years**

[21] **Appl. No.: 703,098**

[22] **Filed: Feb. 19, 1985**

[52] **U.S. Cl. D6/566; D6/574**

[58] **Field of Search D6/511, 566, 567, 574; 108/152; 211/88, 90, 106, 153, 181**

[56] **References Cited**

U.S. PATENT DOCUMENTS

D. 214,923 8/1969 Schier et al. D6/566
D. 266,130 9/1982 Gimmi et al. D6/566

D. 282,995 3/1986 Beverly D6/567
1,796,493 3/1931 Thompson 211/153
2,568,153 9/1951 Hickman 211/153
2,899,688 8/1959 Hopkins 211/90

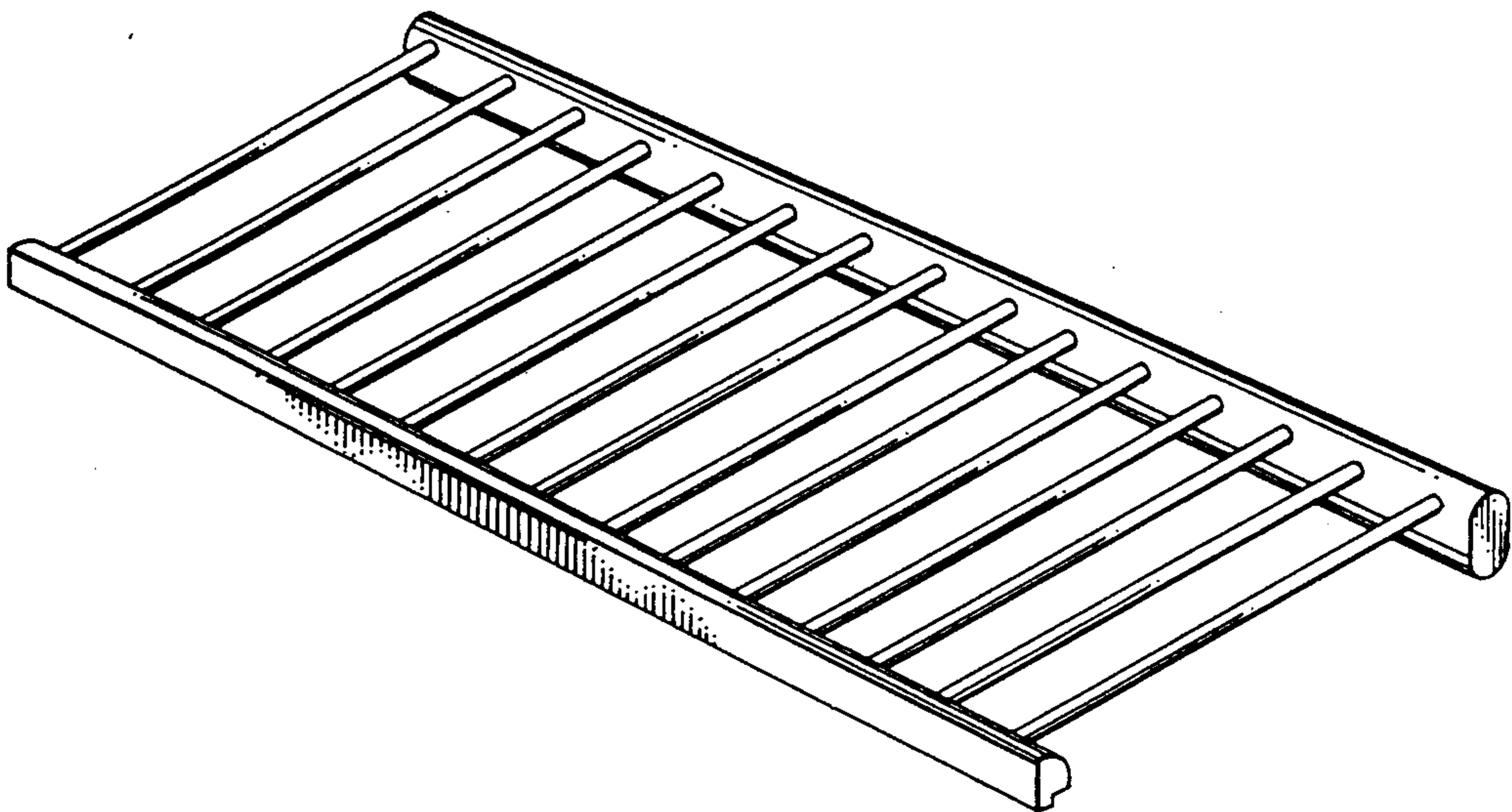
Primary Examiner—B. J. Bullock

[57] **CLAIM**

The ornamental design for a closet shelf, as shown.

DESCRIPTION

FIG. 1 is a perspective view of the closet shelf showing my new design;
FIG. 2 is a front elevational view thereof;
FIG. 3 is a rear elevational view thereof;
FIG. 4 is an enlarged left side elevational view thereof, shown broken away for ease of illustration;
FIG. 5 is a top plan view thereof, the bottom being unornamented.



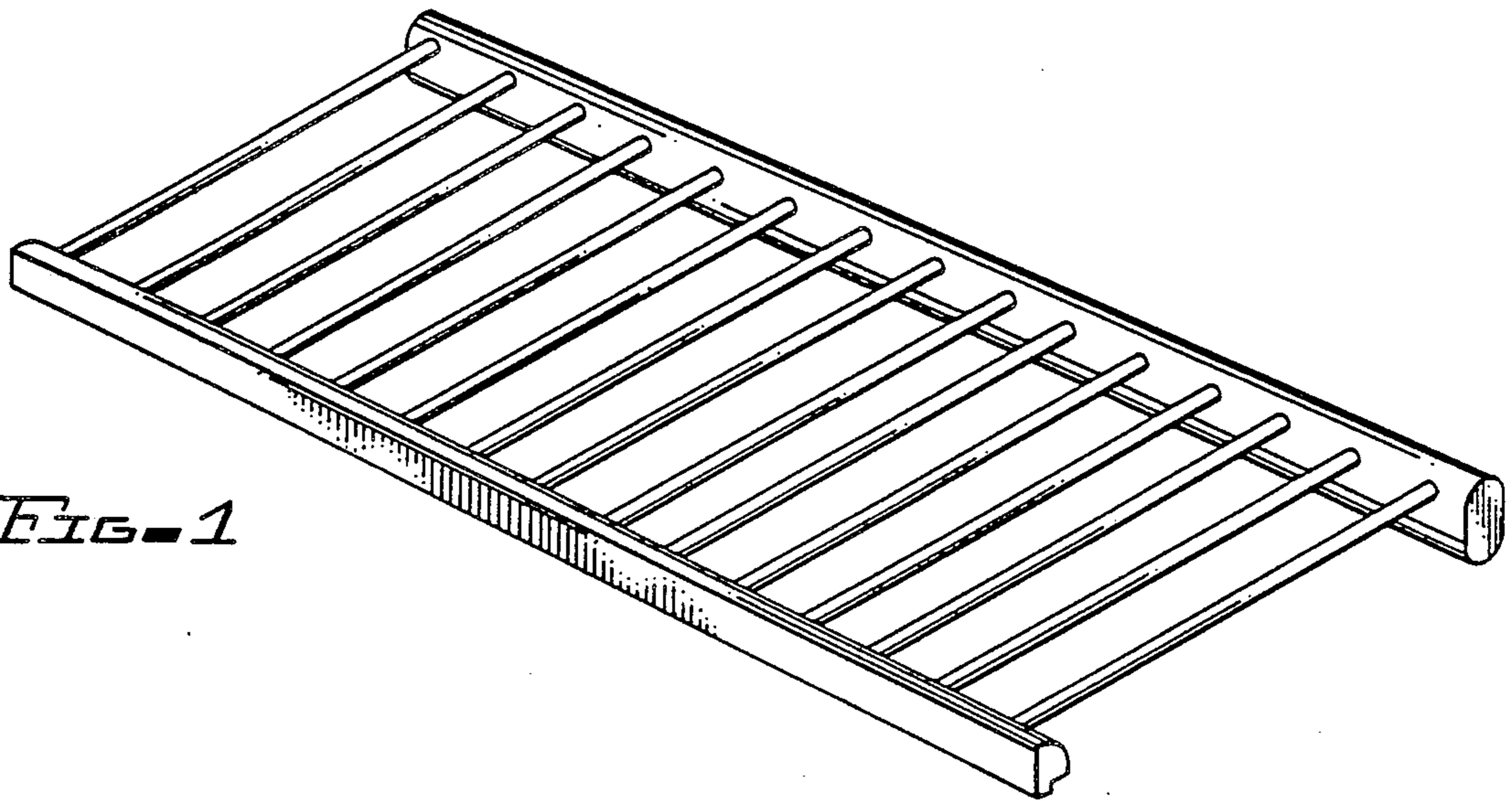


FIG. 1

FIG. 2



FIG. 3

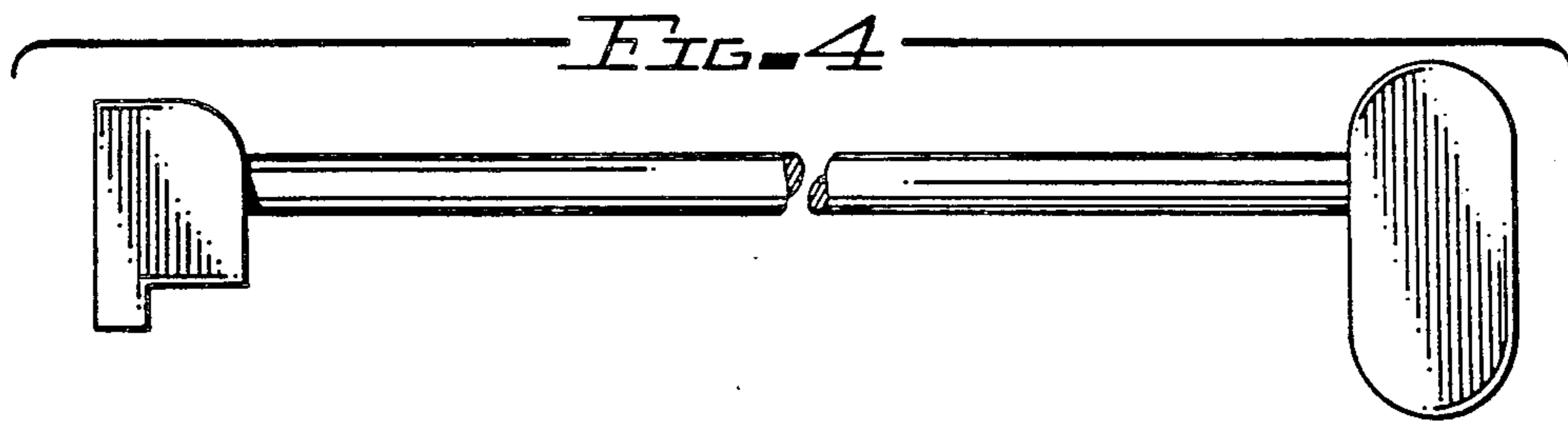


FIG. 4

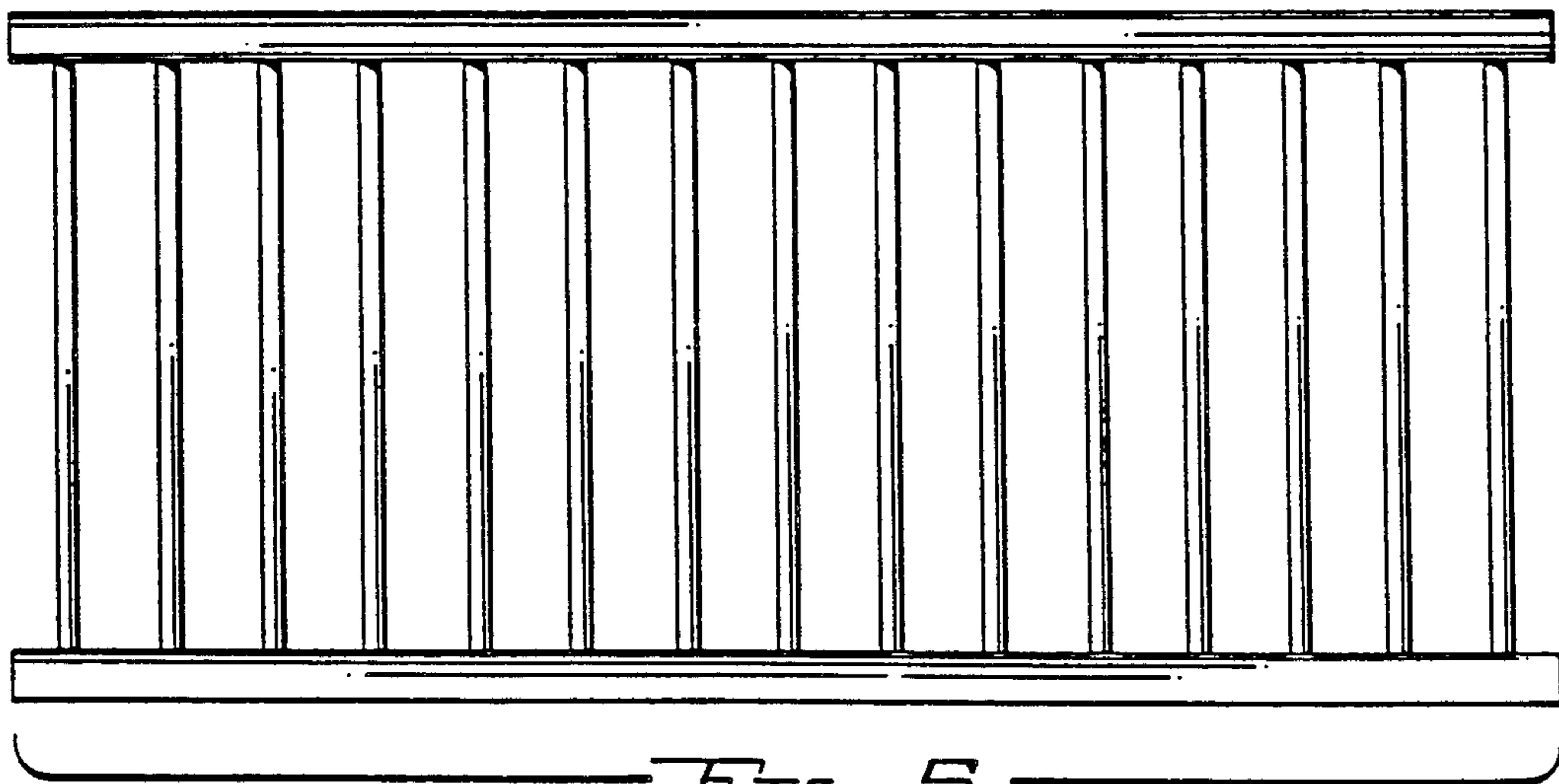


FIG. 5