

[54] **COMBINED TISSUE HOLDER AND DISPENSER OR THE LIKE**

[76] **Inventor: Danny K. Neumann, Ricks College
Tr. Ct. #8, Rexburg, Id. 83440**

[**] **Term: 14 Years**

[21] **Appl. No.: 816,667**

[22] **Filed: Dec. 7, 1985**

[52] **U.S. Cl. D6/518; D6/523**

[58] **Field of Search D6/515, 518-523,
D6/545, 559, 516; 312/37, 38, 39, 50; 221/191,
282; 242/55.2, 55.54**

[56] **References Cited**

U.S. PATENT DOCUMENTS

- D. 226,780 4/1973 Thompson et al. D6/516
- D. 228,710 10/1973 Stevenson D6/545
- D. 246,744 12/1977 Cassia D6/522

- D. 263,180 3/1982 Herbst D6/522
- D. 275,246 8/1984 Lander D6/523

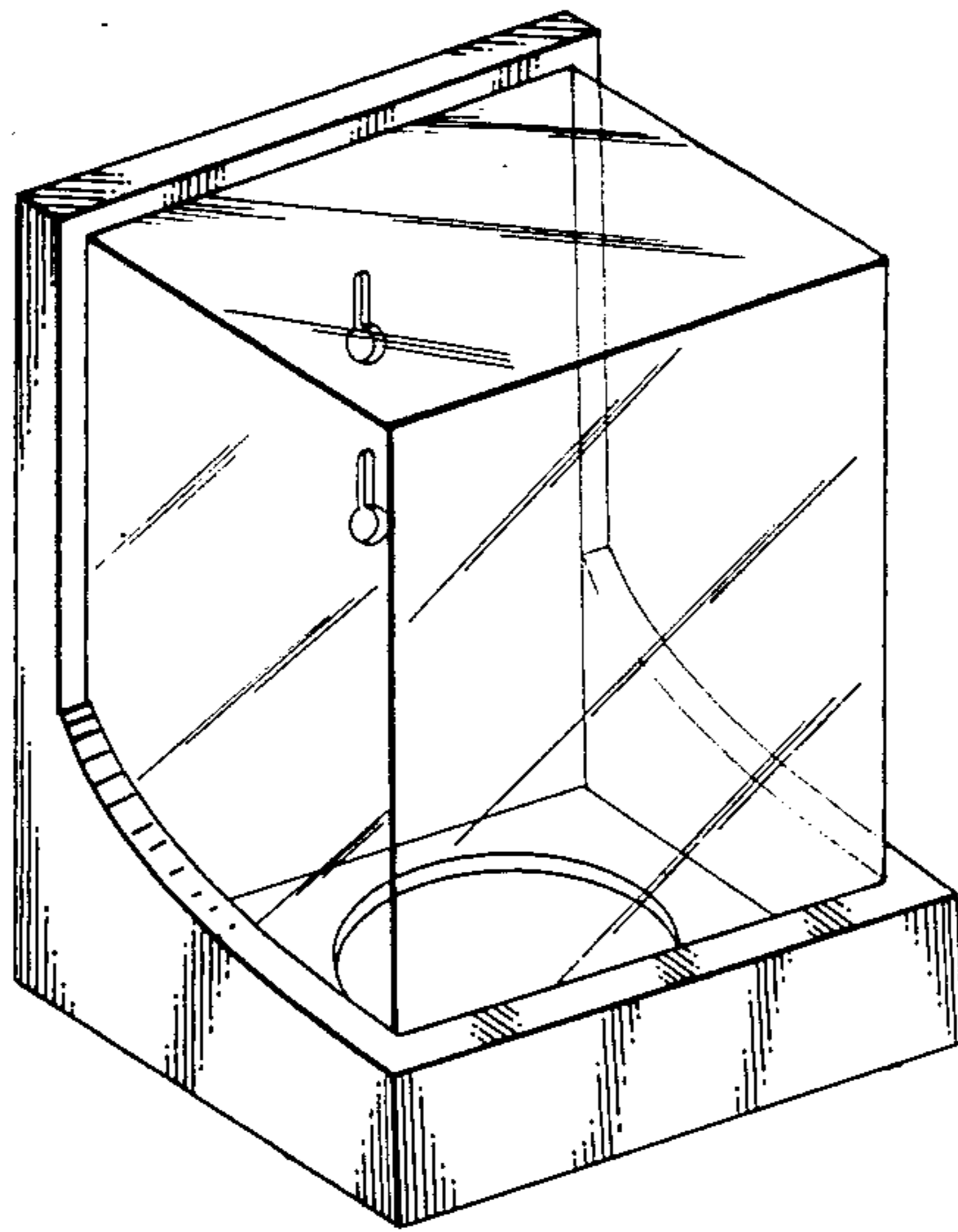
Primary Examiner—B. J. Bullock
Attorney, Agent, or Firm—Henderson & Sturm

[57] **CLAIM**

The ornamental design for a combined tissue holder and dispenser or the like, substantially as shown and described.

DESCRIPTION

FIG. 1 is a perspective view of combined tissue holder and dispenser or the like showing my new design;
FIG. 2 is a reduced left side elevational view thereof, the right side being a mirror image;
FIG. 3 is a reduced front elevational view thereof;
FIG. 4 is a reduced rear elevational view thereof;
FIG. 5 is a reduced top plan view thereof;
FIG. 6 is a reduced bottom plan view thereof.



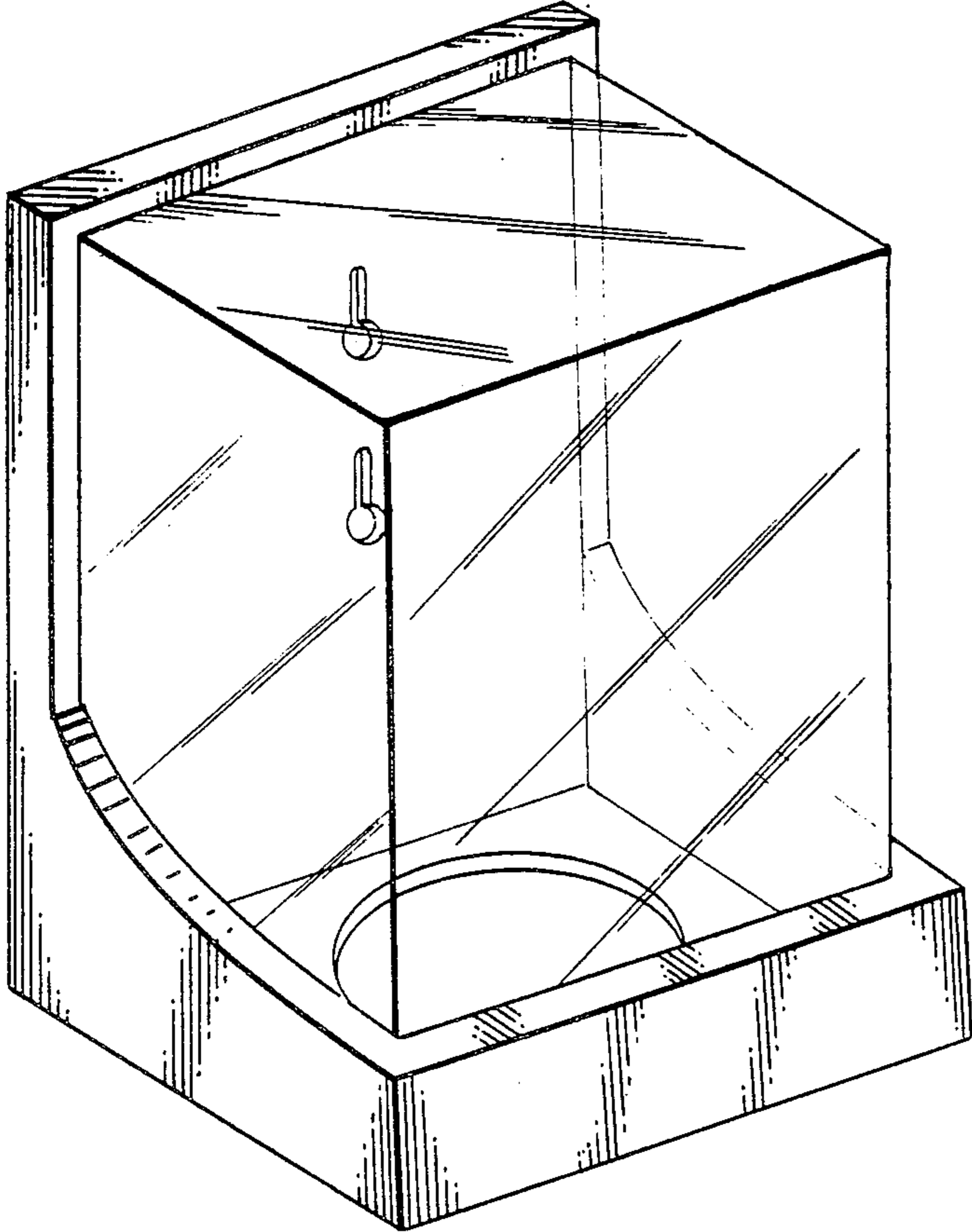


FIG. 1.

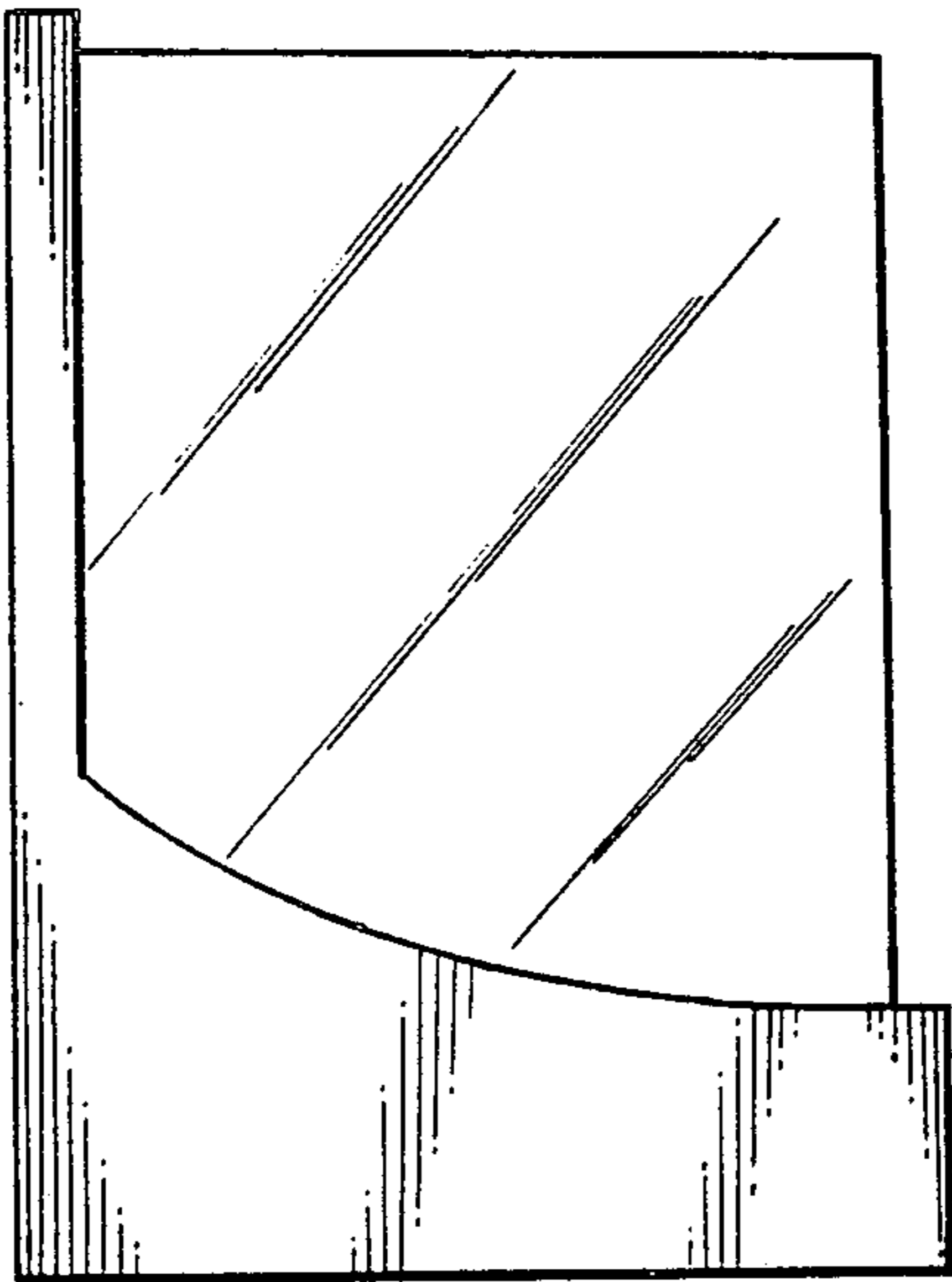


FIG. 2.

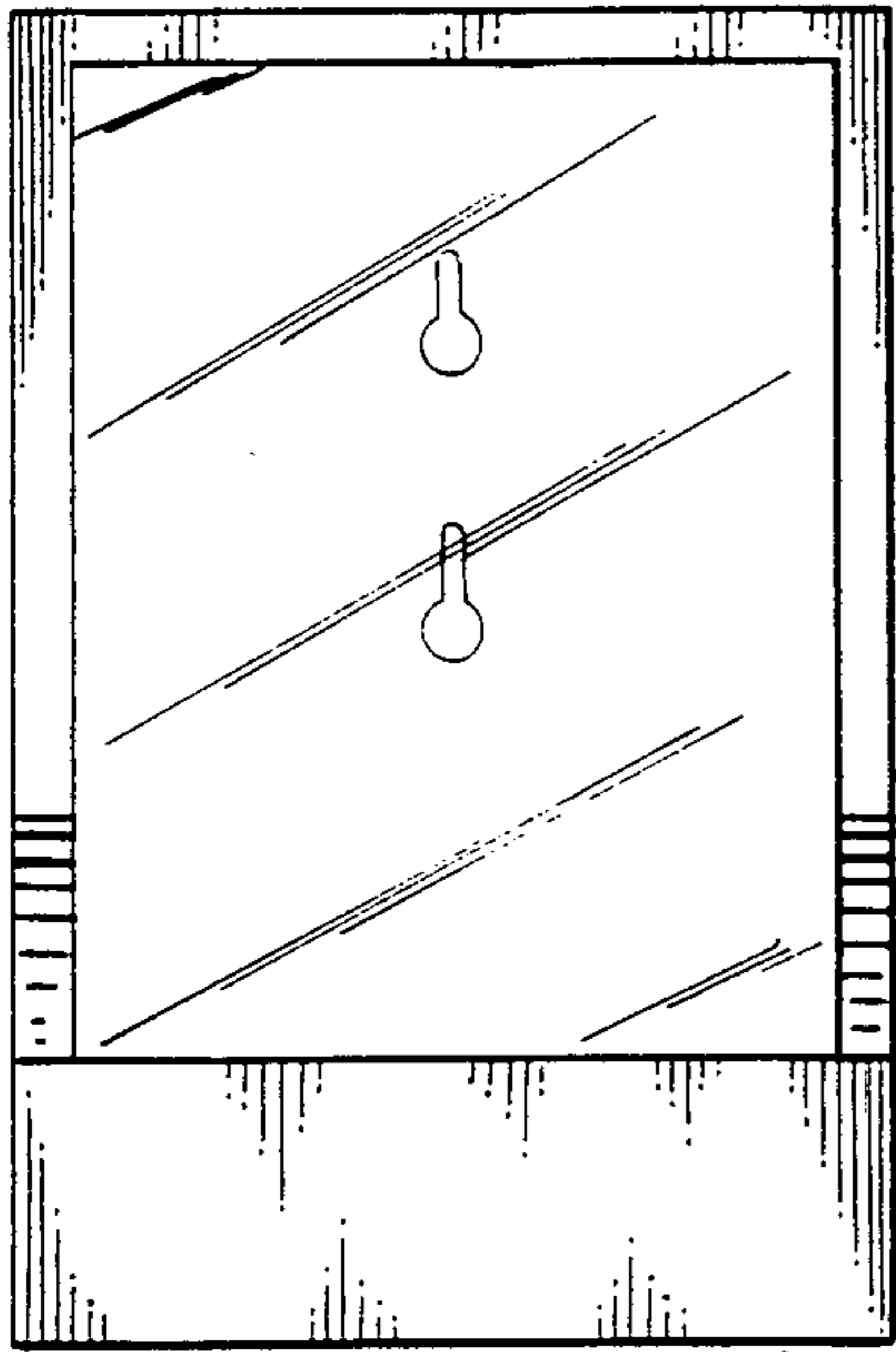


FIG. 3.

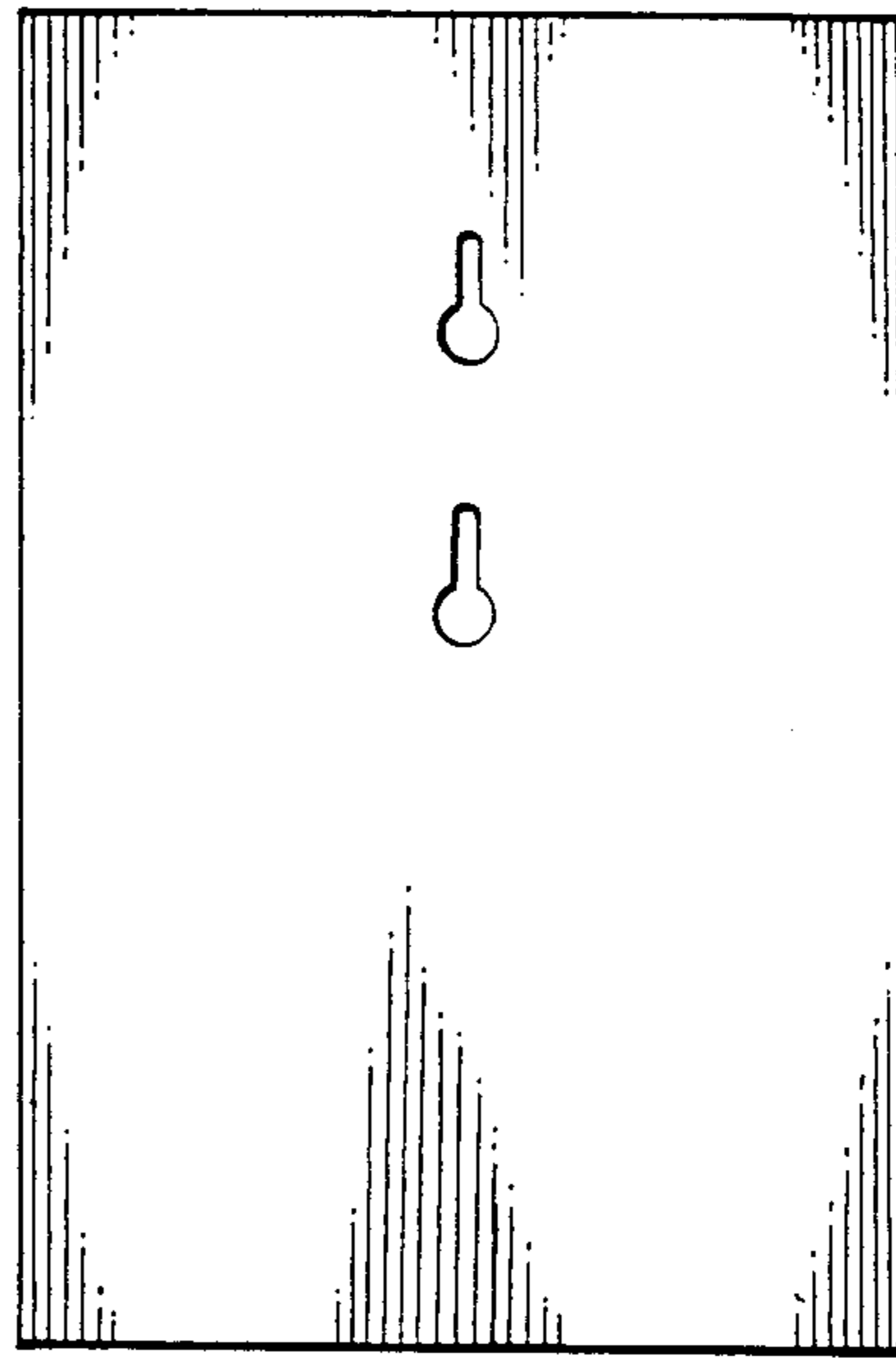


FIG. 4.

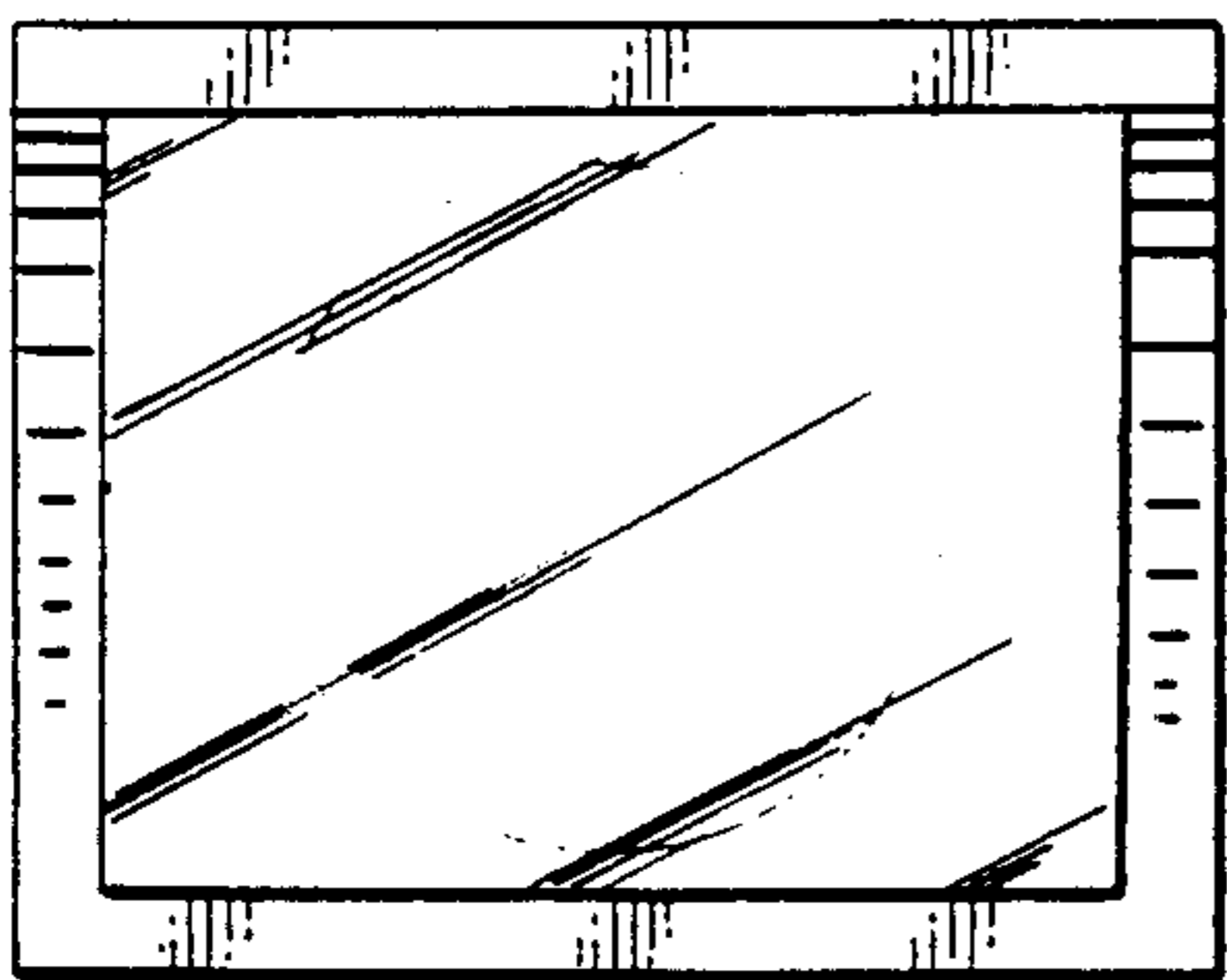


FIG. 5.

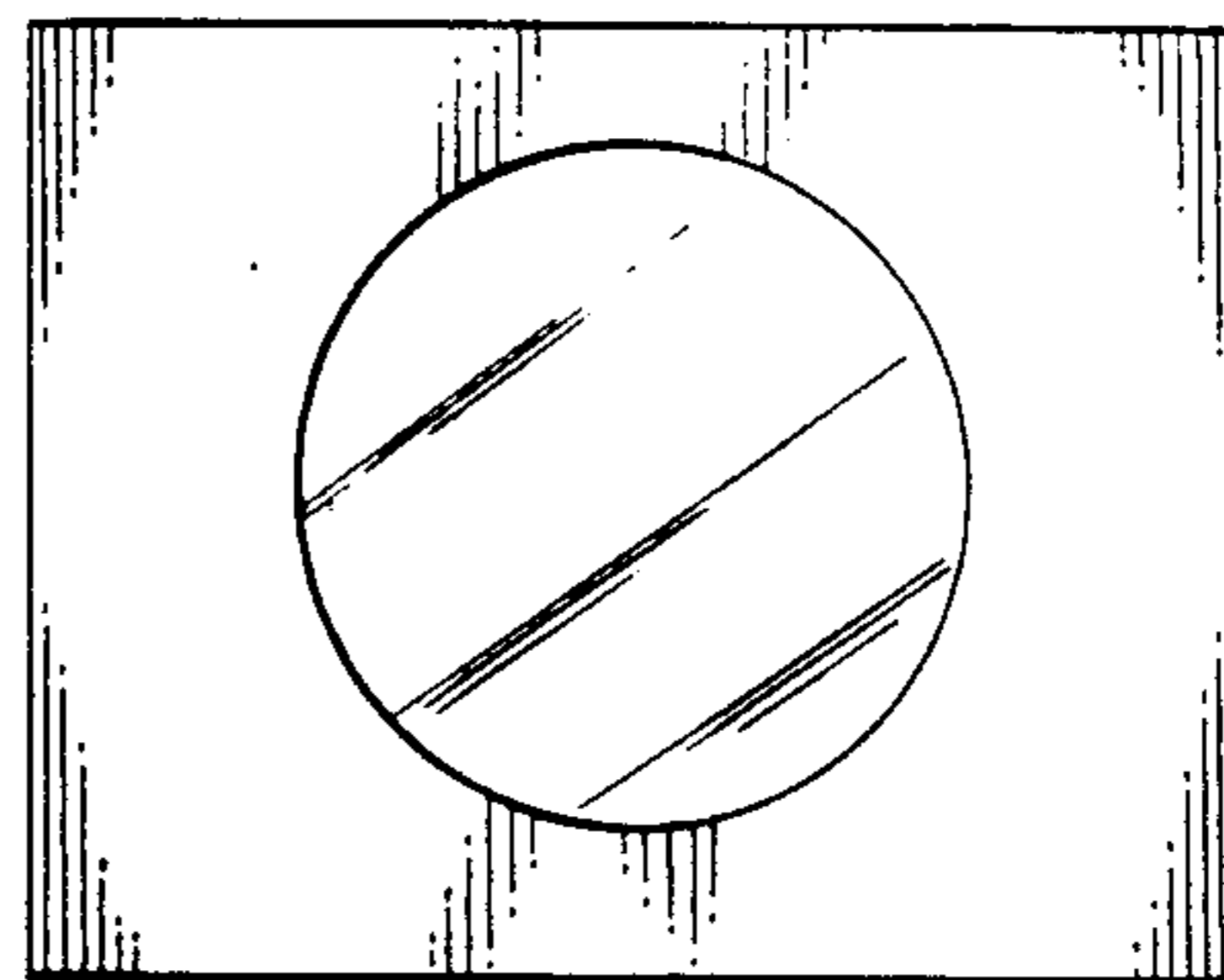


FIG. 6.