

[54] SHELF FOR COMPUTER KEYBOARD OR THE LIKE

[75] Inventors: David Wright, Shrewsbury; Richard M. Latino, Holden, both of Mass.

[73] Assignee: Wright Line Inc., Worcester, Mass.

[**] Term: 14 Years

[21] Appl. No.: 697,664

[22] Filed: Feb. 4, 1985

[52] U.S. Cl. D6/511

[58] Field of Search D6/429, 430, 479, 510, D6/511, 432, 436, 449, 474

[56] References Cited

U.S. PATENT DOCUMENTS

- D. 280,684 9/1985 Cervero D6/429 X
- D. 284,242 6/1986 Sackett et al. D6/430
- D. 284,337 6/1986 Papich et al. D6/430

OTHER PUBLICATIONS

The Office, Oct. 1984, p. 208, Shelf Unit at center.

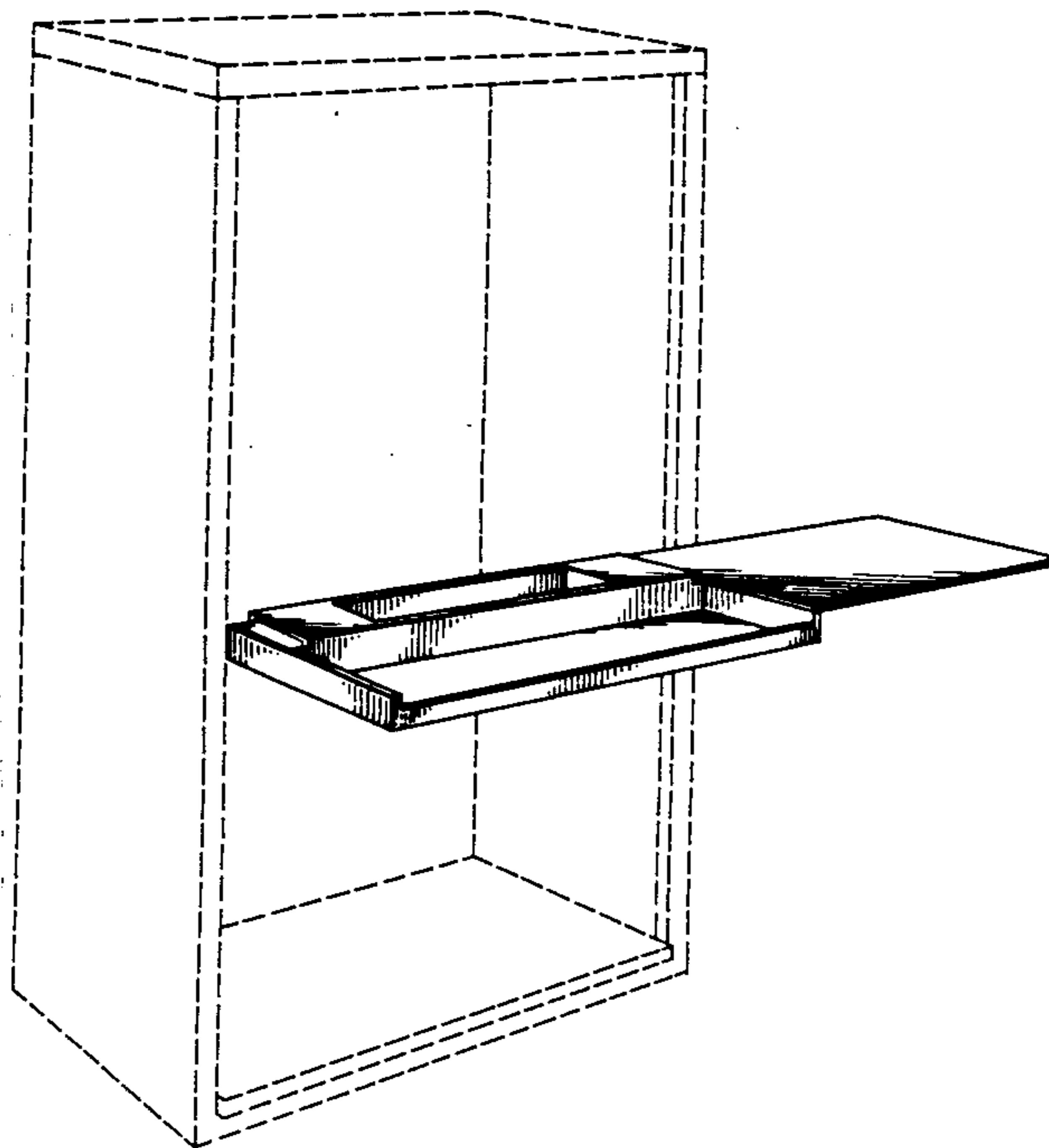
Primary Examiner—Bruce W. Dunkins
Attorney, Agent, or Firm—Milton E. Gilbert

[57] CLAIM

The ornamental design for shelf for computer keyboard or the like, as shown and described.

DESCRIPTION

FIG. 1 is a shelf for computer keyboard or the like showing our new design, a work station being shown therein in broken lines for illustrative purposes only; FIG. 2 is a front elevational view; FIG. 3 is a right side elevational view, the undisclosed left side being a mirror image thereof; FIG. 4 is a rear elevational view; FIG. 5 is a top plan view; and FIG. 6 is a bottom plan view thereof.



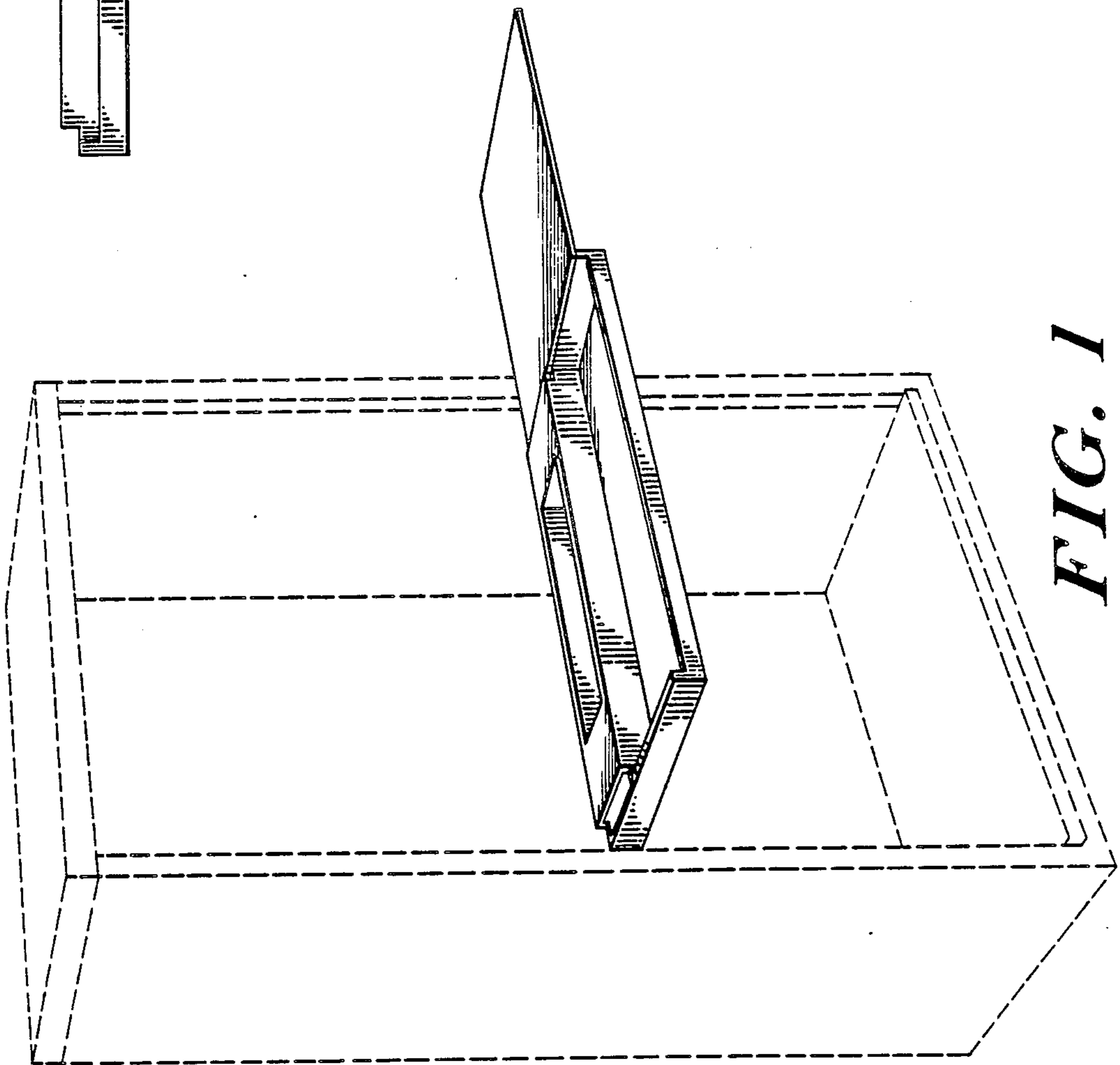


FIG. 1



FIG. 2



FIG. 3



FIG. 4

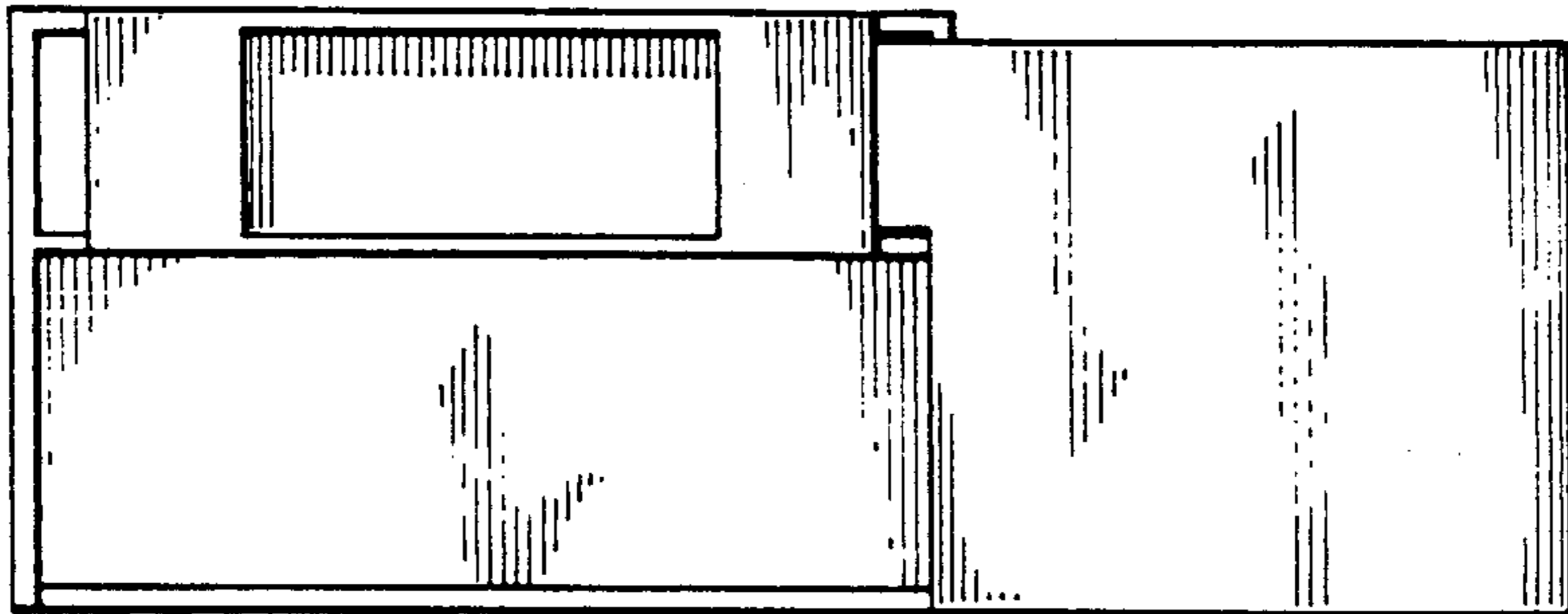


FIG. 5

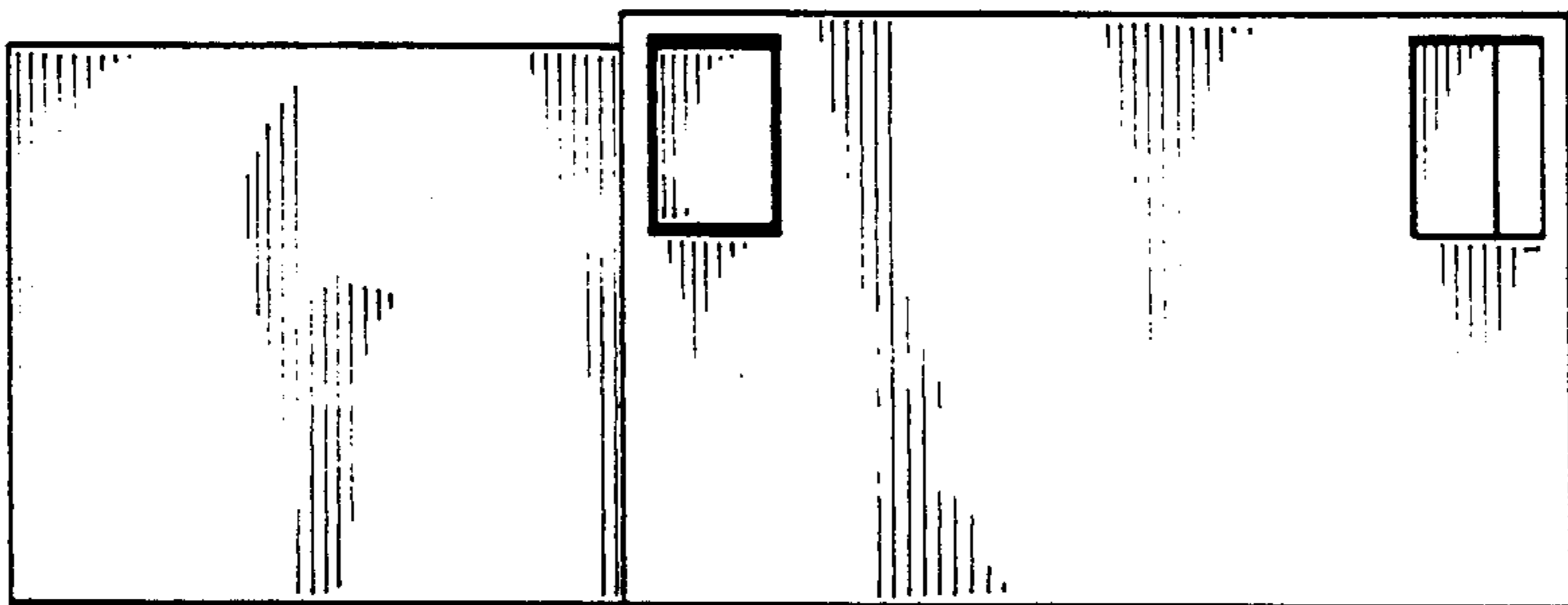


FIG. 6