

United States Patent [19]

Jasinski

[11] Patent Number: Des. 292,856

[45] Date of Patent: ** Nov. 24, 1987

[54] TABLE

[76] Inventor: Donald A. Jasinski, 2595 Ocean Blvd., Rye Beach, N.H. 03871

[**] Term: 14 Years

[21] Appl. No.: 741,231

[22] Filed: Jun. 4, 1985

[52] U.S. Cl. D6/484; D6/483

[58] Field of Search D6/449, 451, 470, 477, D6/478, 479, 480, 483, 484, 485, 490

[56] References Cited

U.S. PATENT DOCUMENTS

D. 151,119 9/1948 Eames D6/483
D. 235,293 6/1975 Waitzman D6/484 X
D. 237,127 10/1975 McDonald D6/484
D. 237,440 11/1975 McDonald D6/484 X

D. 239,891 5/1976 Cipullo D6/487

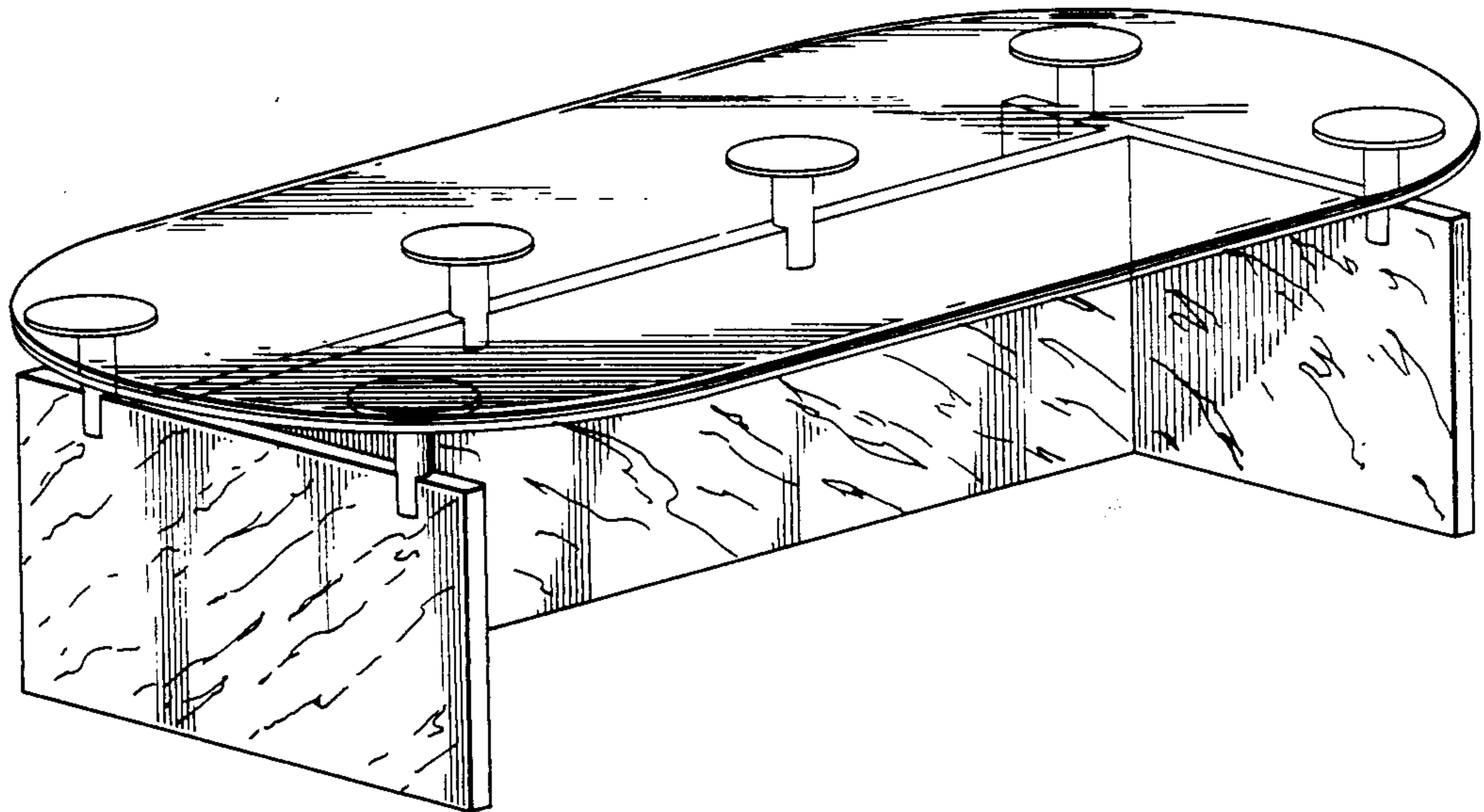
Primary Examiner—Bruce W. Dunkins
Attorney, Agent, or Firm—Weingarten, Schurgin,
Gagnebin & Hayes

[57] CLAIM

The ornamental design for a table, as shown.

DESCRIPTION

FIG. 1 is a perspective view of a table showing my design;
FIG. 2 is a front elevation view of the table of FIG. 1;
FIG. 3 is a left side elevation view of the table of FIG. 1;
FIG. 4 is a right side elevation view of the table of FIG. 1;
FIG. 5 is a rear elevation view of the table of FIG. 1;
FIG. 6 is a top plan view of the table of FIG. 1; and
FIG. 7 is a bottom plan view of the table of FIG. 1.



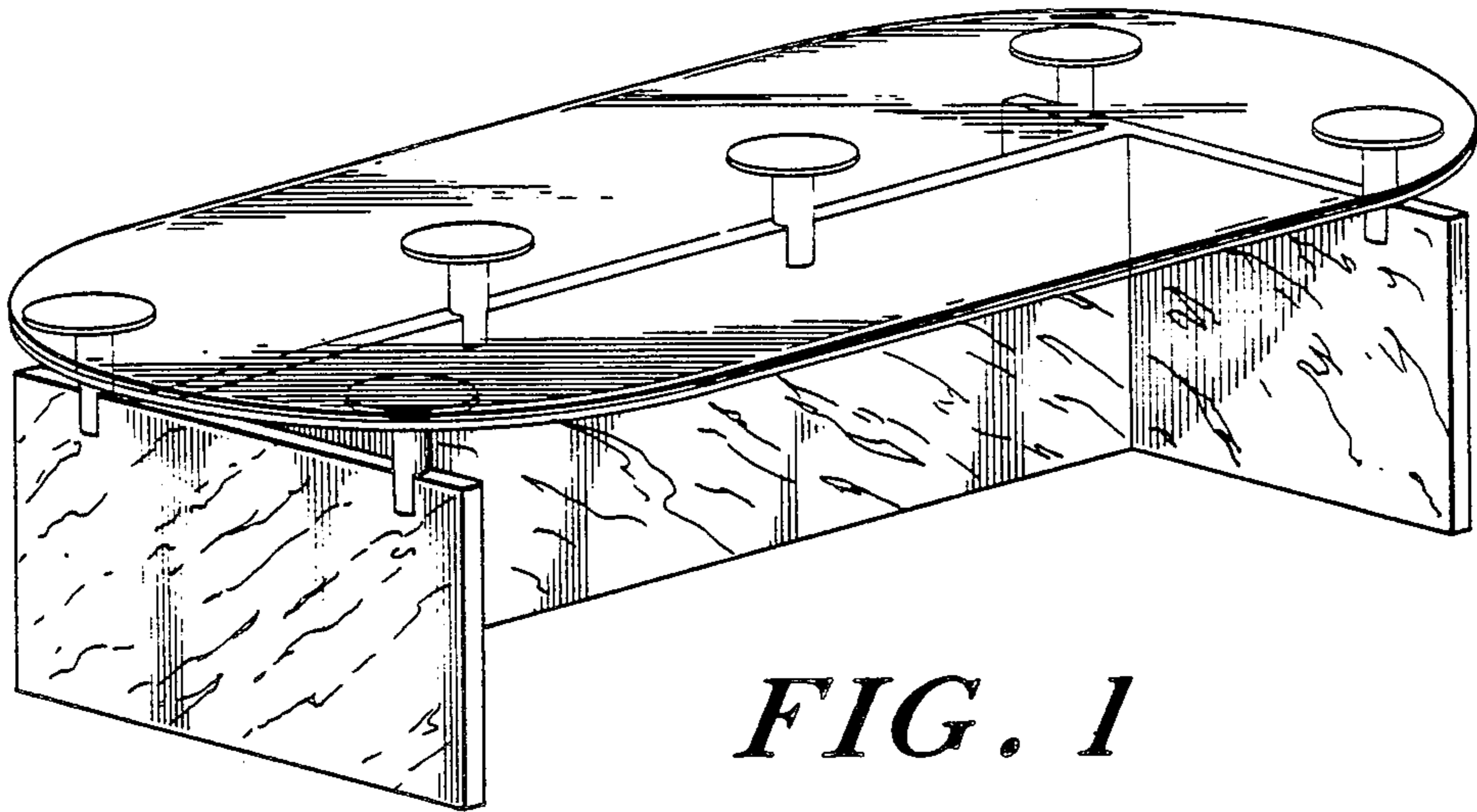


FIG. 1

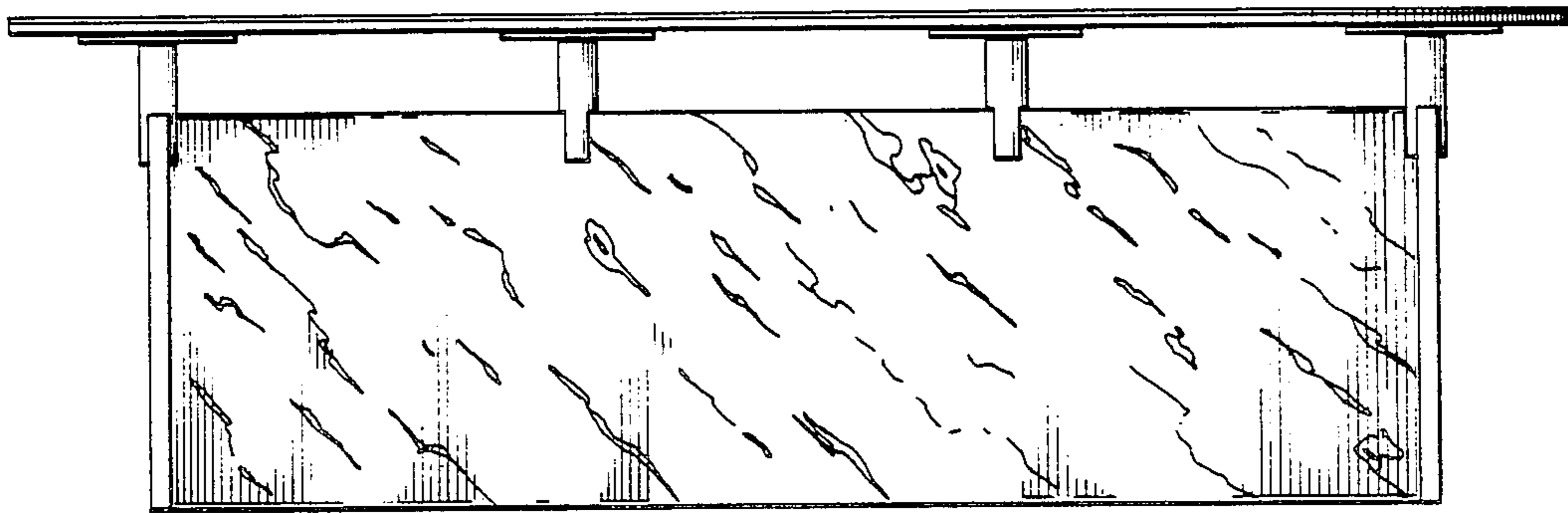


FIG. 2

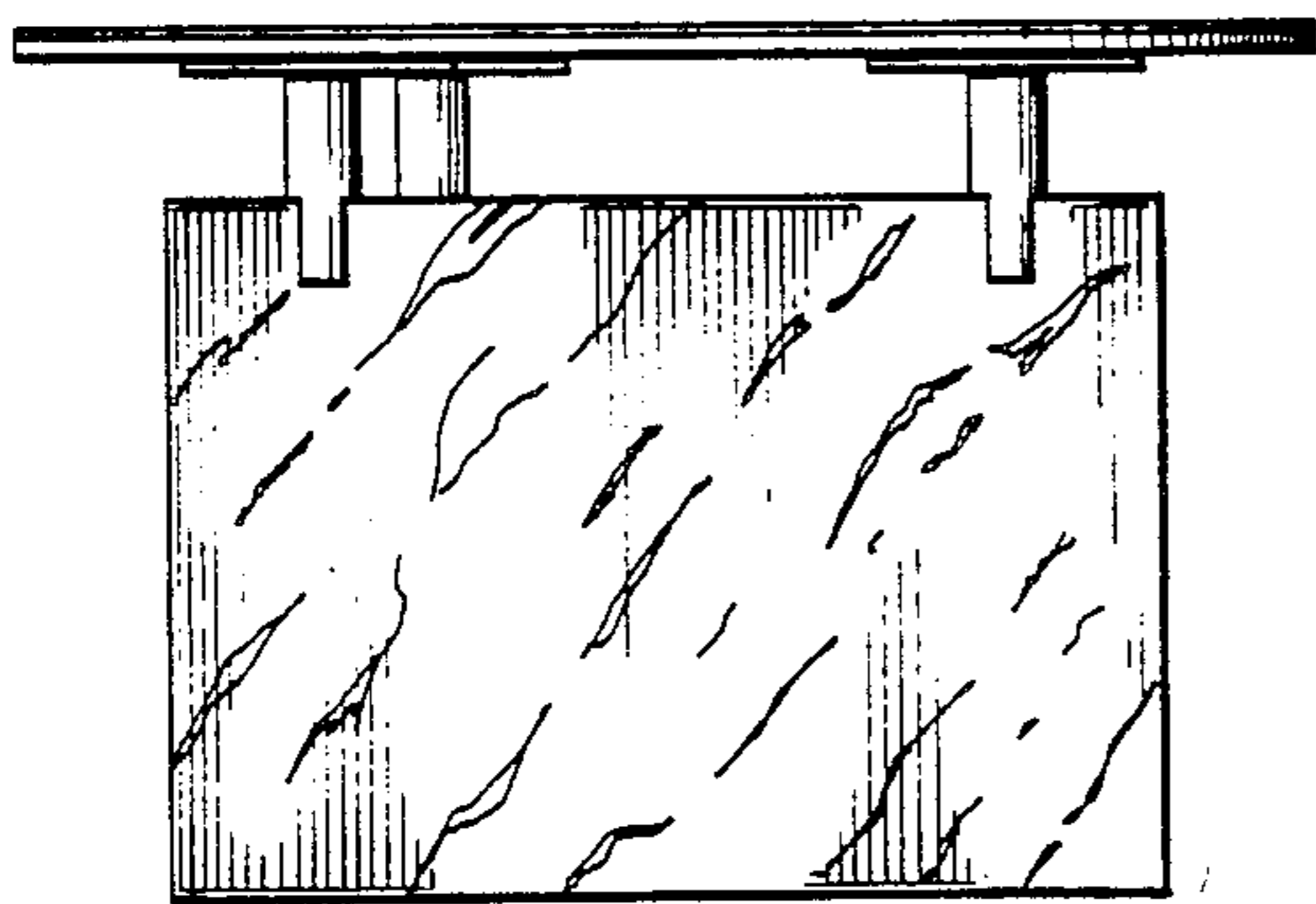


FIG. 3

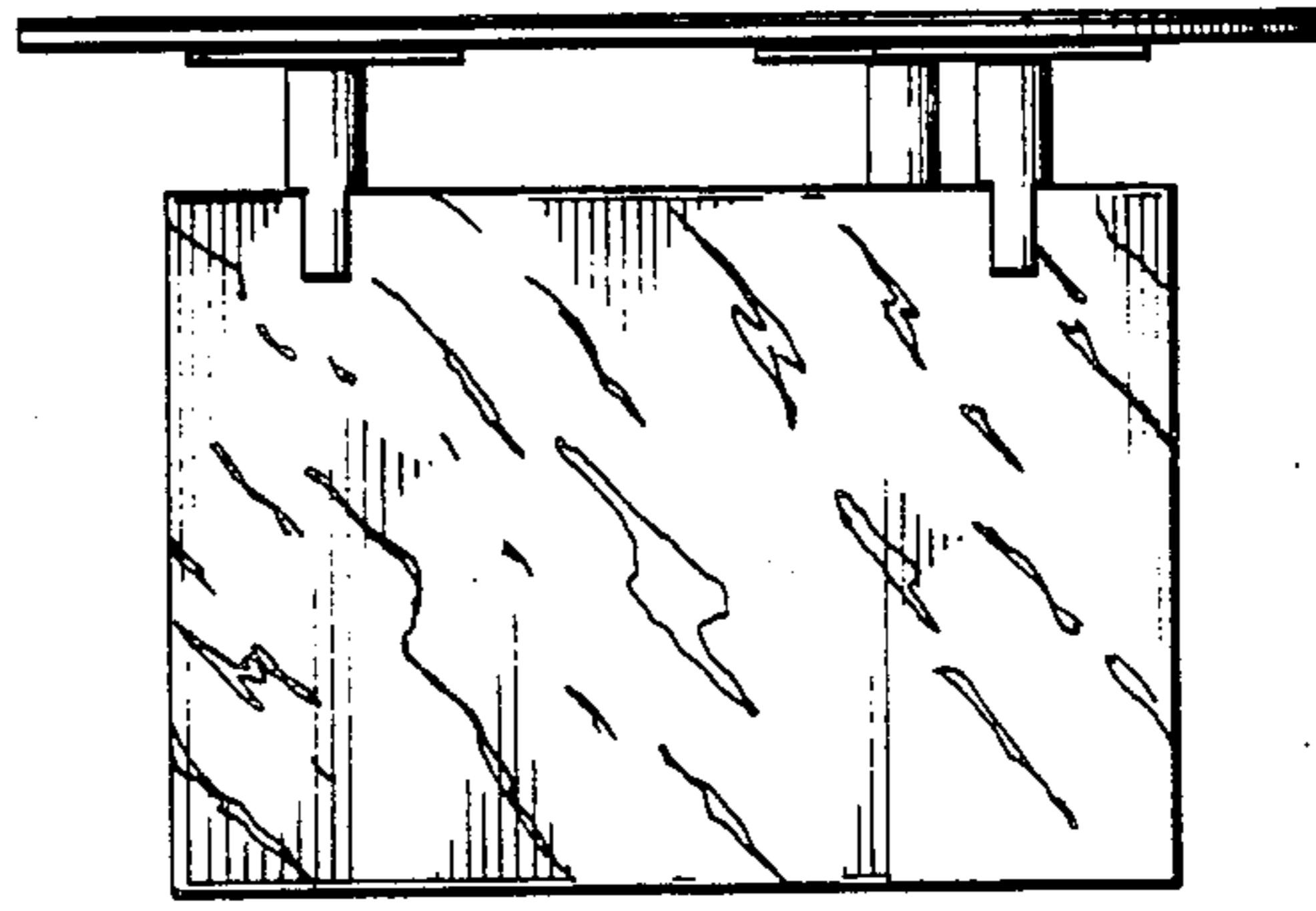


FIG. 4

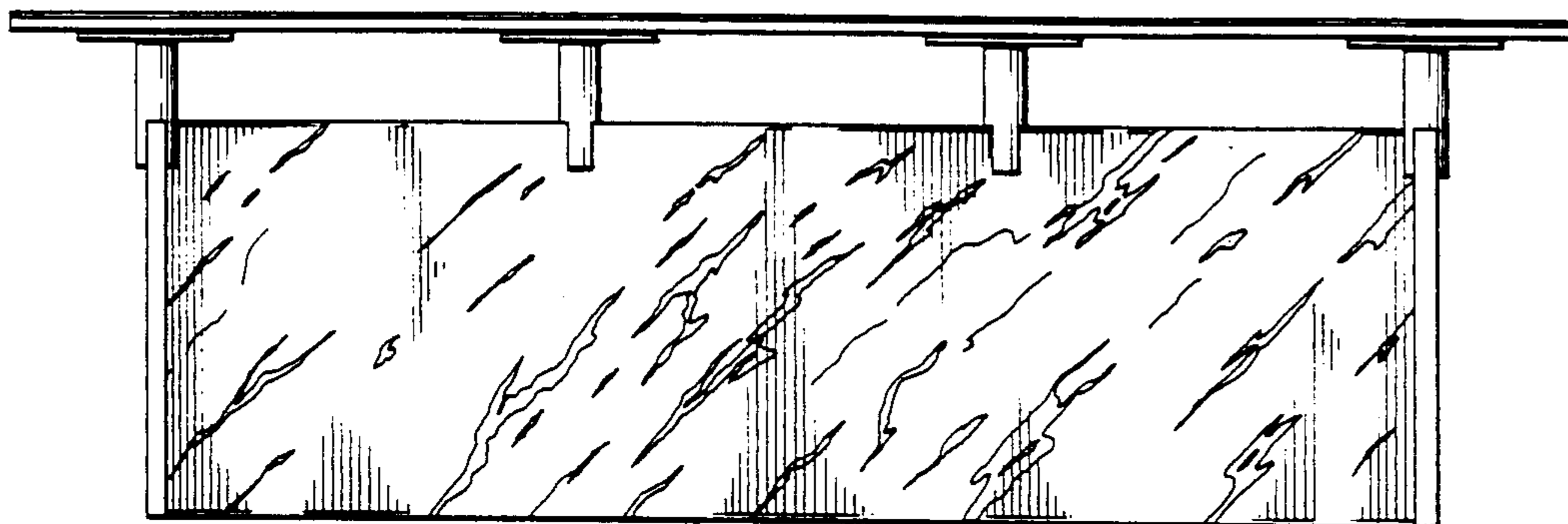


FIG. 5

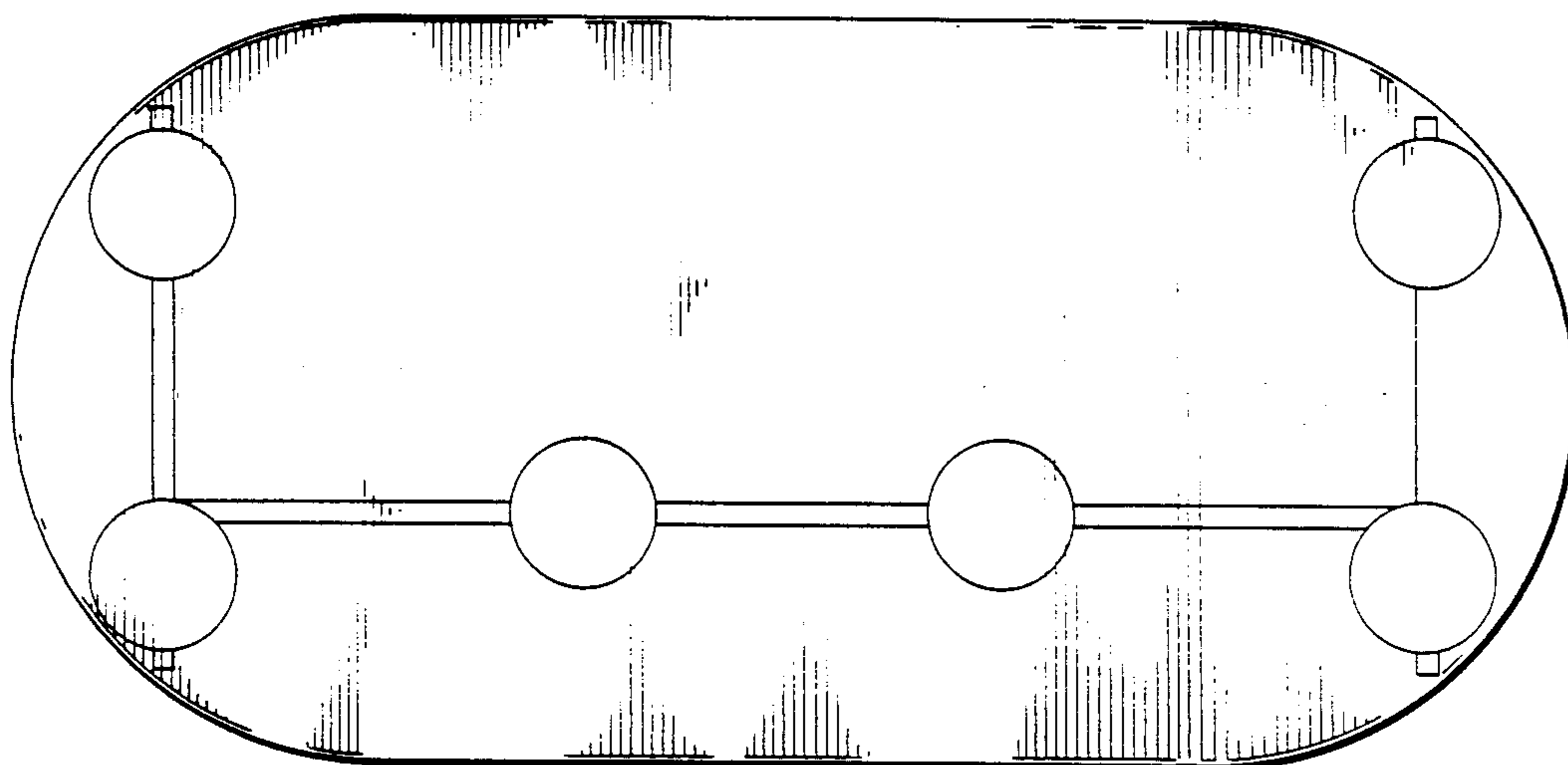


FIG. 6

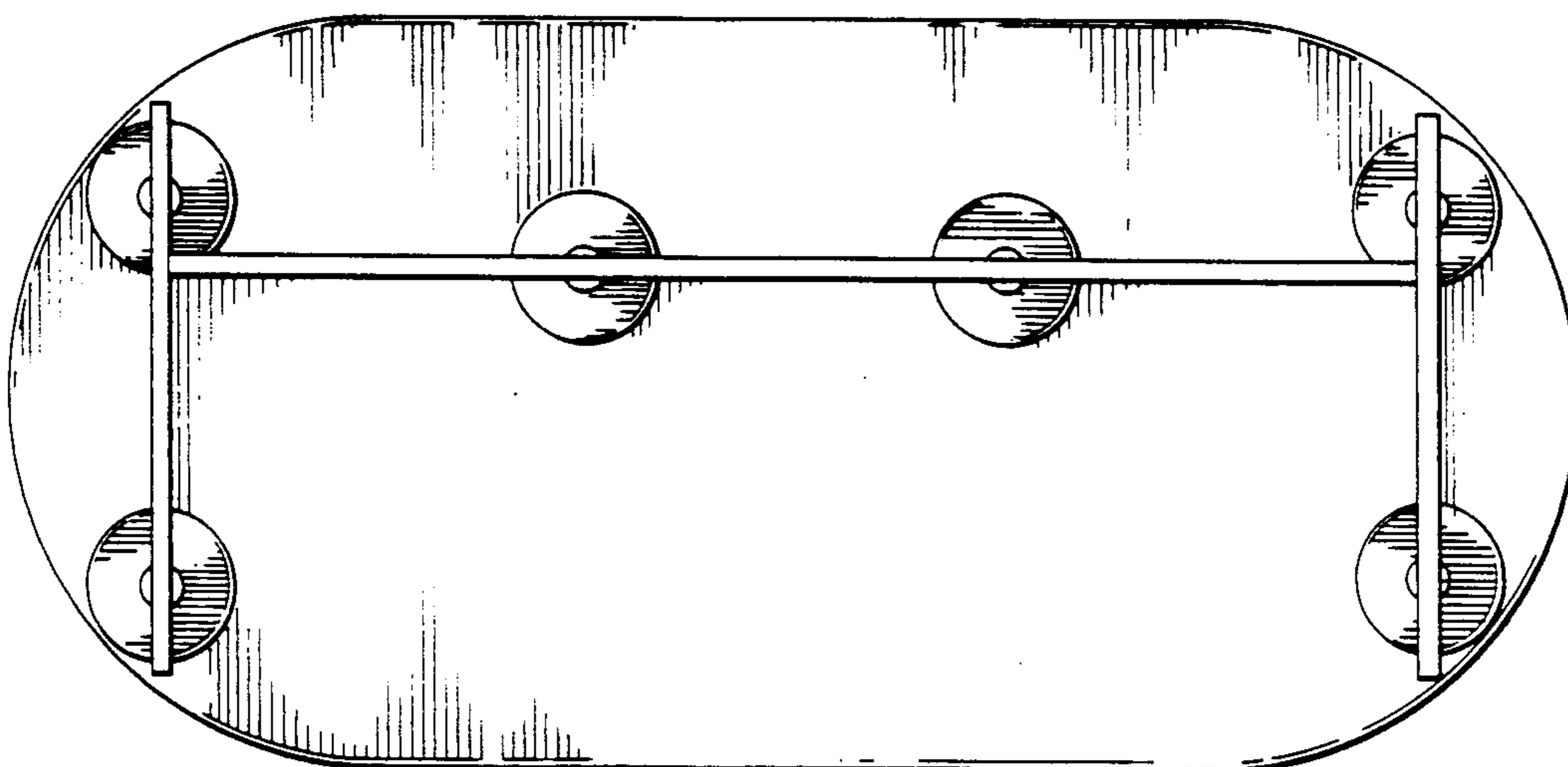


FIG. 7