

United States Patent [19]
Krone

[11] **Patent Number: Des. 292,851**
[45] **Date of Patent: ** Nov. 24, 1987**

- [54] **COMBINATION PICTURE DISPLAY AND STORAGE UNIT**
[75] **Inventor: Irene Krone, New York, N.Y.**
[73] **Assignee: I. Krone Associates, Inc., New York, N.Y.**
[**] **Term: 14 Years**
[21] **Appl. No.: 608,156**
[22] **Filed: May 8, 1984**
[52] **U.S. Cl. D6/300**
[58] **Field of Search D6/300, 310, 432, 312; 40/152, 159, 152.1; 206/444, 387, 472, 449, 44 R, 45.2, 45.18**

4,356,918 11/1982 Kahle et al. 206/387 X

FOREIGN PATENT DOCUMENTS

1034848 7/1966 United Kingdom 206/387

Primary Examiner—Bernard Ansher
Assistant Examiner—Terry Pfeffer
Attorney, Agent, or Firm—Cooper, Dunham, Griffin & Moran

[57] **CLAIM**

The ornamental design for a combination picture display and storage unit, as shown and described.

DESCRIPTION

FIG. 1 is a perspective view of a combination picture display and storage unit showing my new design in an open position;
FIG. 2 is a top plan view thereof shown in a closed position.
FIG. 3 is a bottom plan view thereof.
FIG. 4 is a side elevational view thereof.
FIG. 5 is an elevational view of the other side thereof.
FIG. 6 is a front elevational view thereof.
FIG. 7 is a back elevational view thereof.

[56] **References Cited**
U.S. PATENT DOCUMENTS

1,461,656	7/1923	Harned .	
1,989,159	1/1935	Shiffman et al.	206/44
2,241,989	5/1941	Friedrich et al.	206/44
2,829,767	4/1958	Scripture	206/73
3,167,180	1/1965	Kremp	206/45.20
3,381,850	5/1968	Haugen	220/31
4,225,038	9/1980	Egly	206/45.18

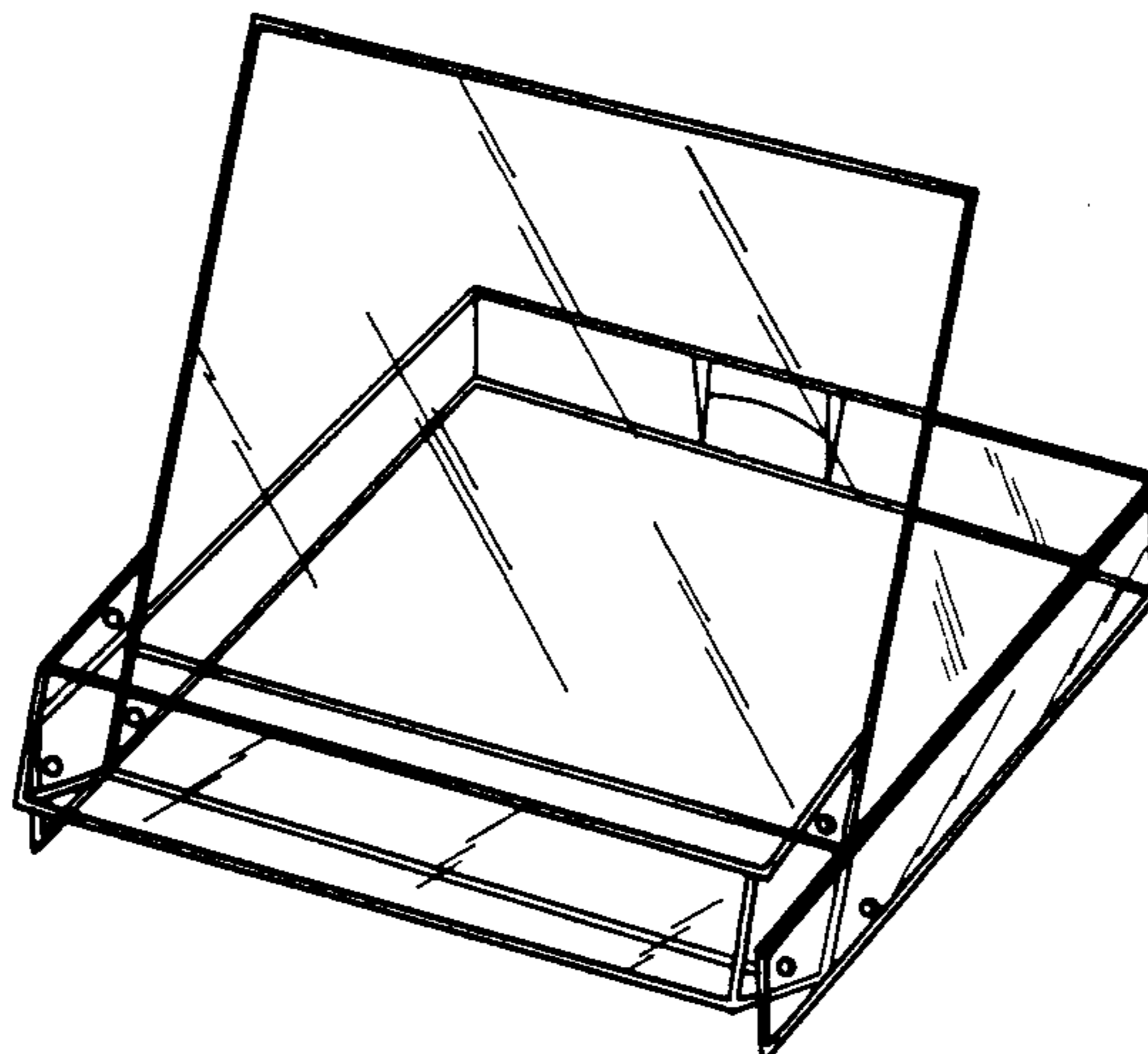


FIG. 1

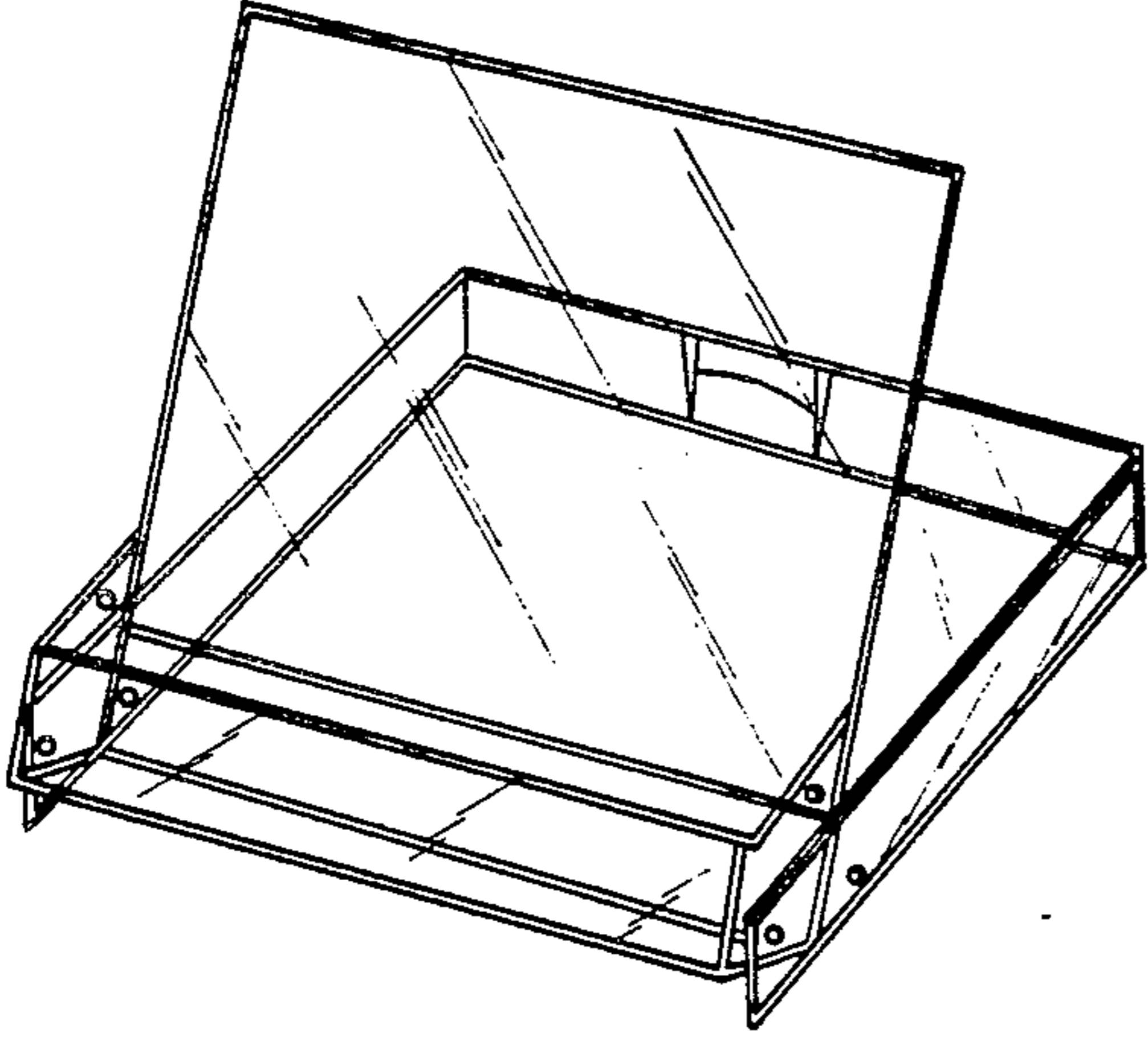


FIG. 4



FIG. 5



FIG. 6



FIG. 7



FIG. 2

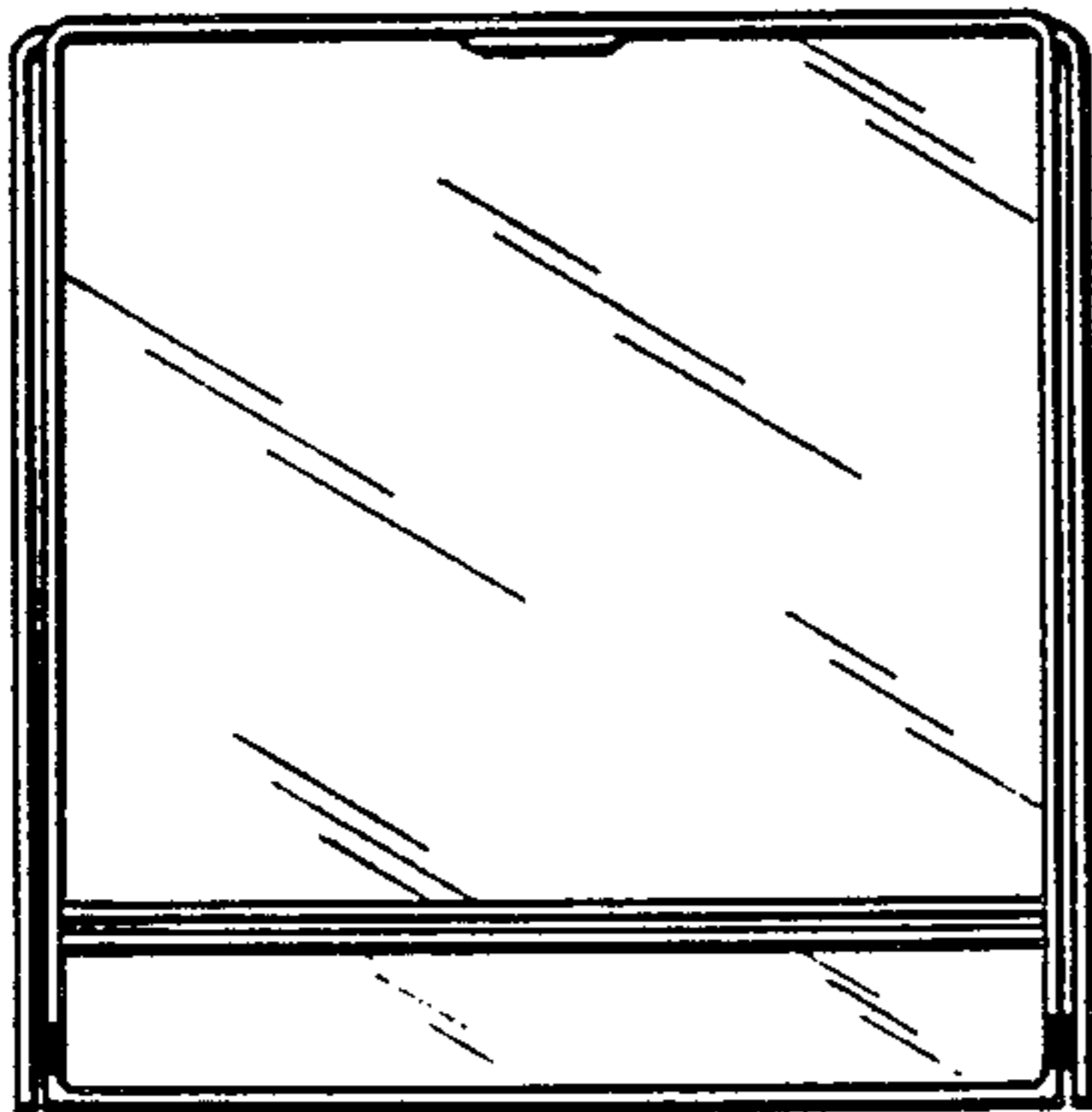


FIG. 3

