

**United States Patent** [19]  
**Kim**

[11] **Patent Number: Des. 292,848**  
[45] **Date of Patent: \*\* Nov. 24, 1987**

[54] **ATTACHE CASE**  
[75] **Inventor: Hyun S. Kim, Newcastle, Pa.**  
[73] **Assignee: Airway Industries, Inc., Ellwood City, Pa.**  
[\*\*] **Term: 14 Years**  
[21] **Appl. No.: 731,863**  
[22] **Filed: May 8, 1985**  
[52] **U.S. Cl. .... D3/76**  
[58] **Field of Search ..... D3/30.1, 33, 35, 42, D3/72, 76, 77; 190/100, 103, 109, 124-127**

2,200,972 5/1940 Steip ..... D3/76

*Primary Examiner*—George P. Word  
*Attorney, Agent, or Firm*—Walter J. Blenko, Jr.

[57] **CLAIM**

The ornamental design for an attache case, as shown and described.

**DESCRIPTION**

FIG. 1 is a front elevational view of an attache case showing my new design, the environmental structure shown in dotted lines being for illustrative purposes only.

FIG. 2 is a rear elevational view thereof;

FIG. 3 is a top plan view thereof;

FIG. 4 is a bottom plan view thereof;

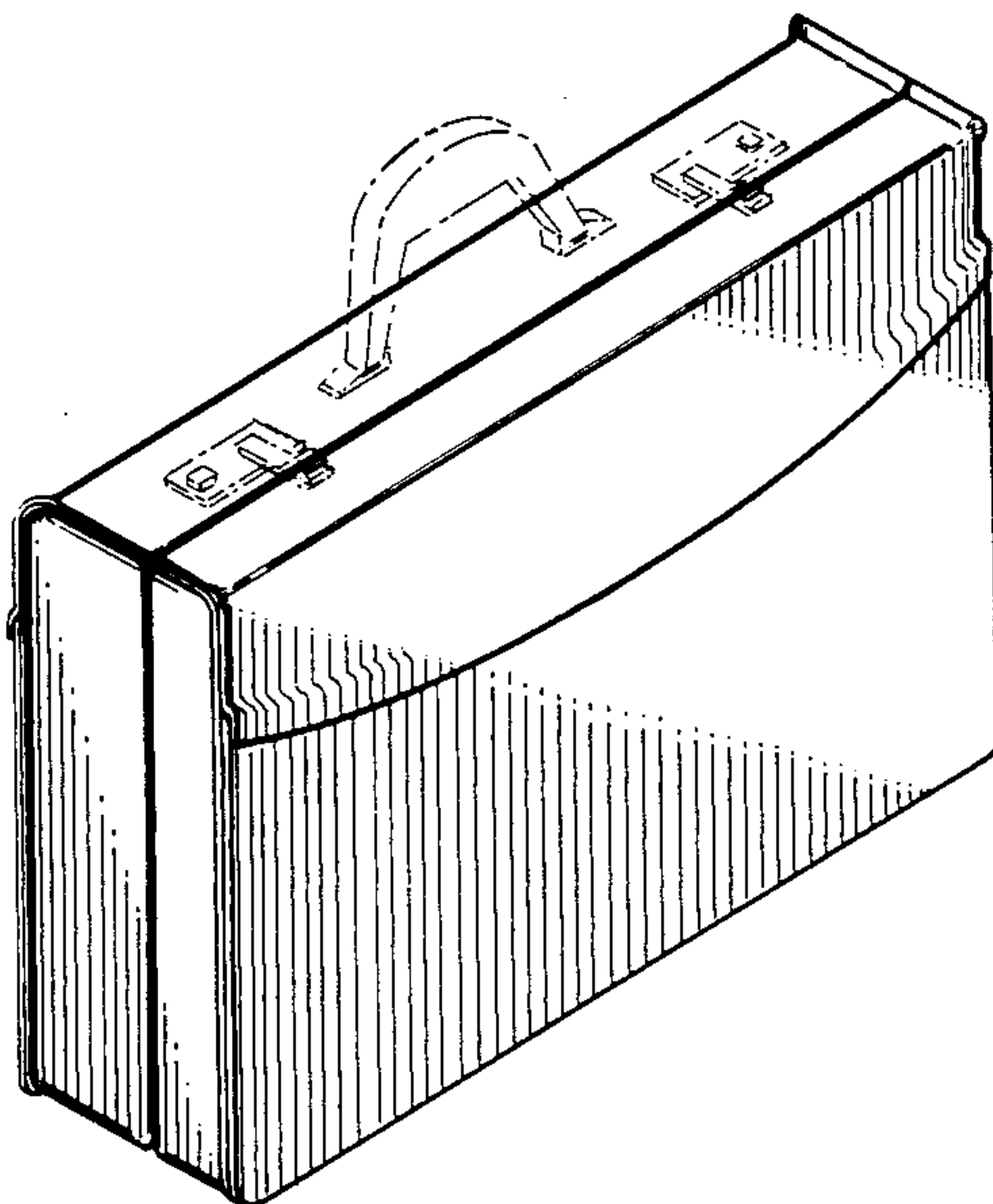
FIG. 5 is a left side elevational view thereof;

FIG. 6 is a right side elevational view thereof; and

FIG. 7 is a perspective view thereof.

[56] **References Cited**  
**U.S. PATENT DOCUMENTS**

D. 284,137 6/1986 Kim ..... D3/76  
D. 284,138 6/1986 Kim ..... D3/76  
D. 284,140 6/1986 Kim ..... D3/76



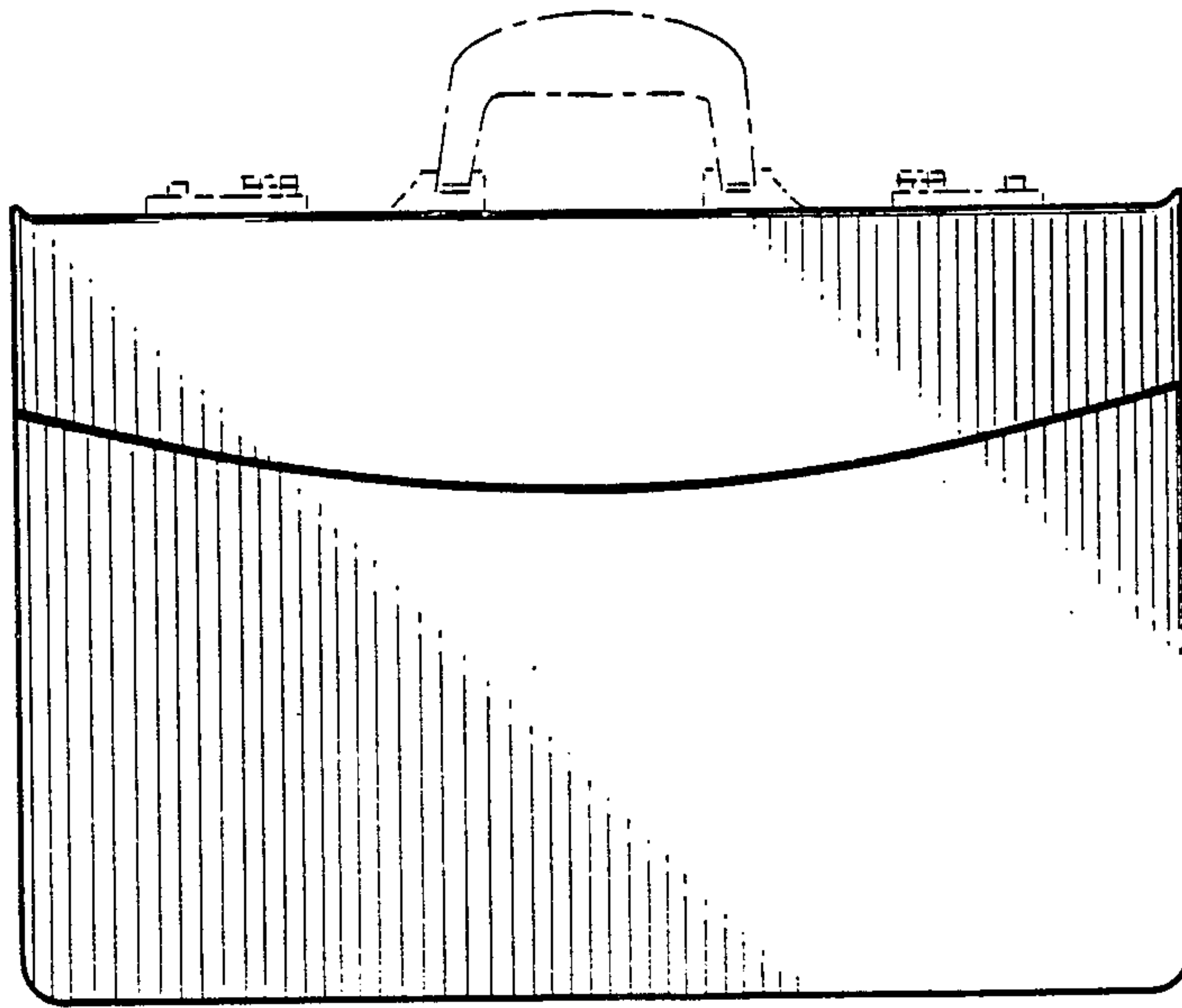


FIG. 1

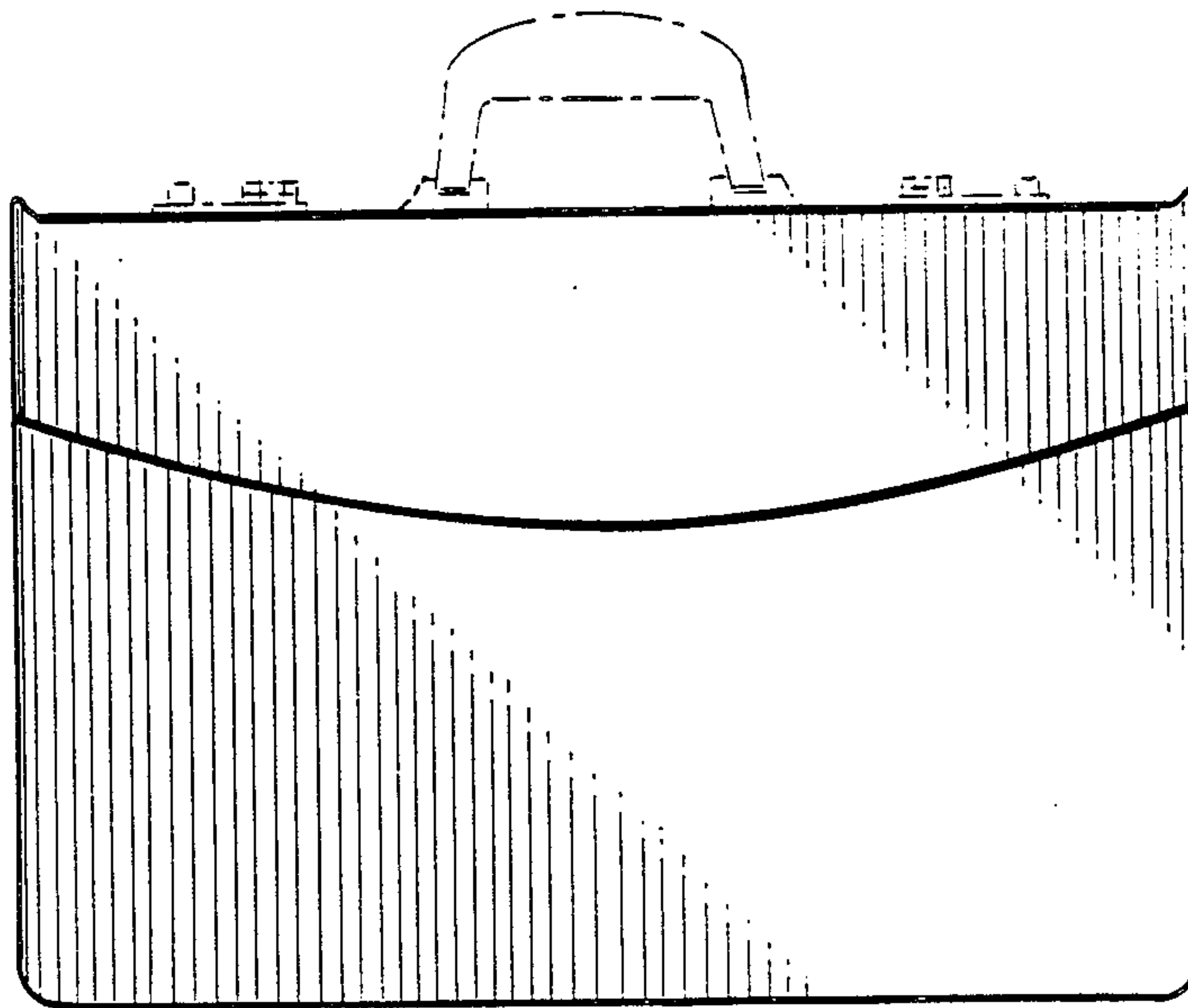


FIG. 2

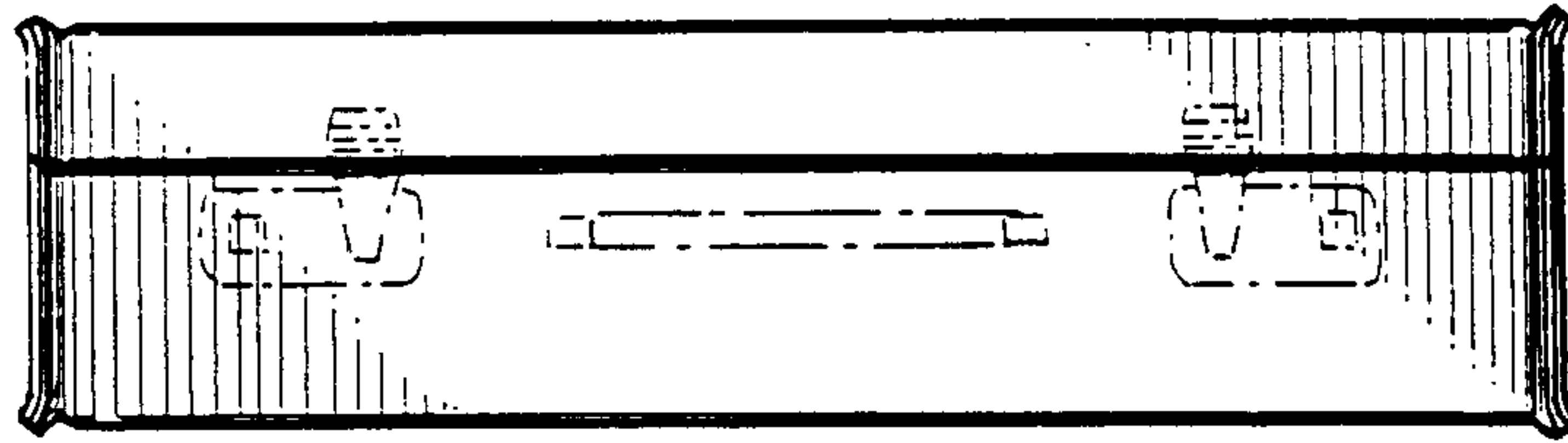


FIG. 3

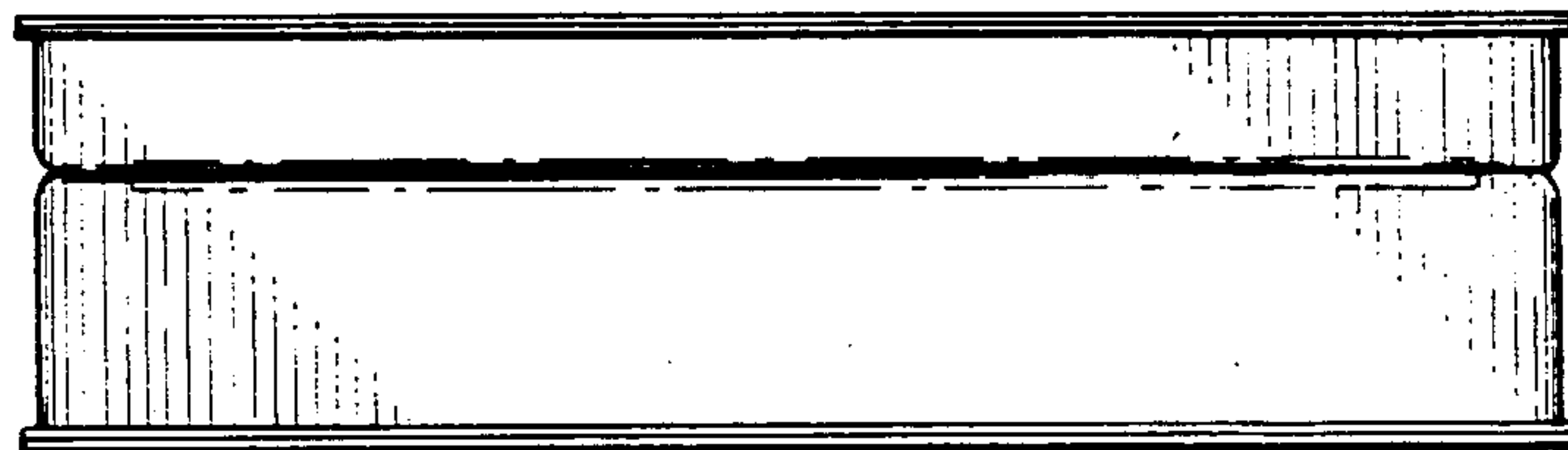


FIG. 4

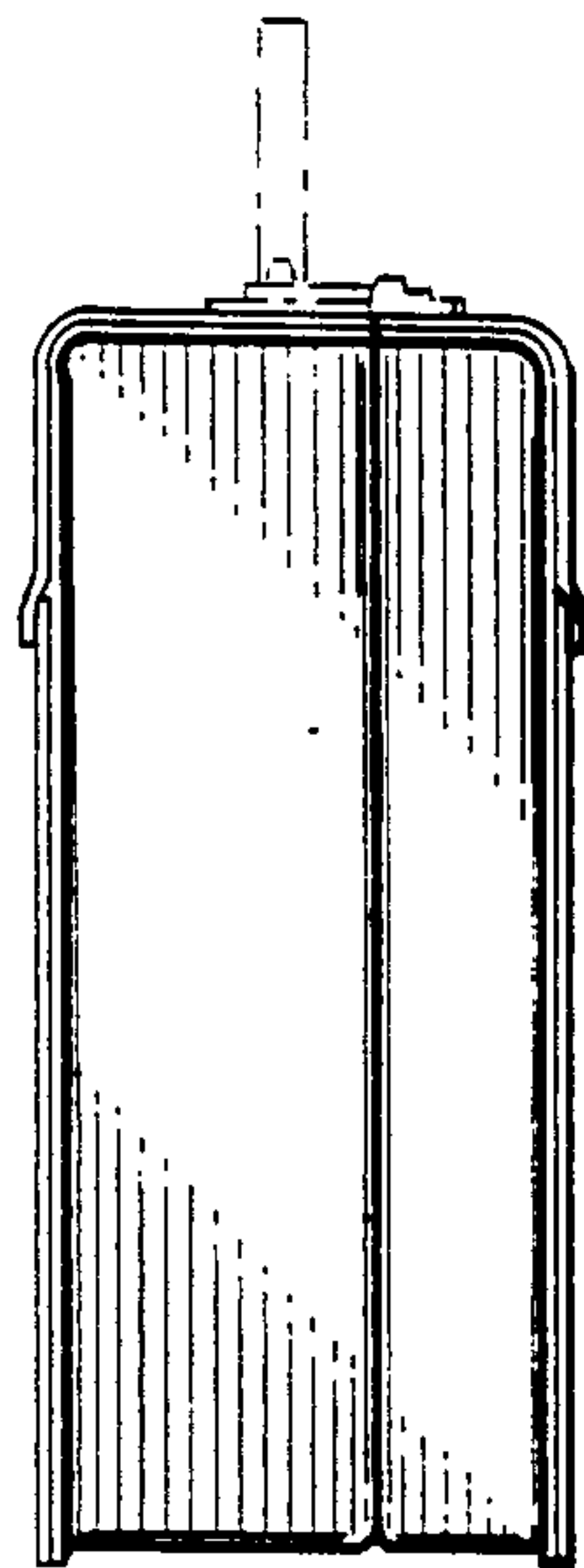


FIG. 5

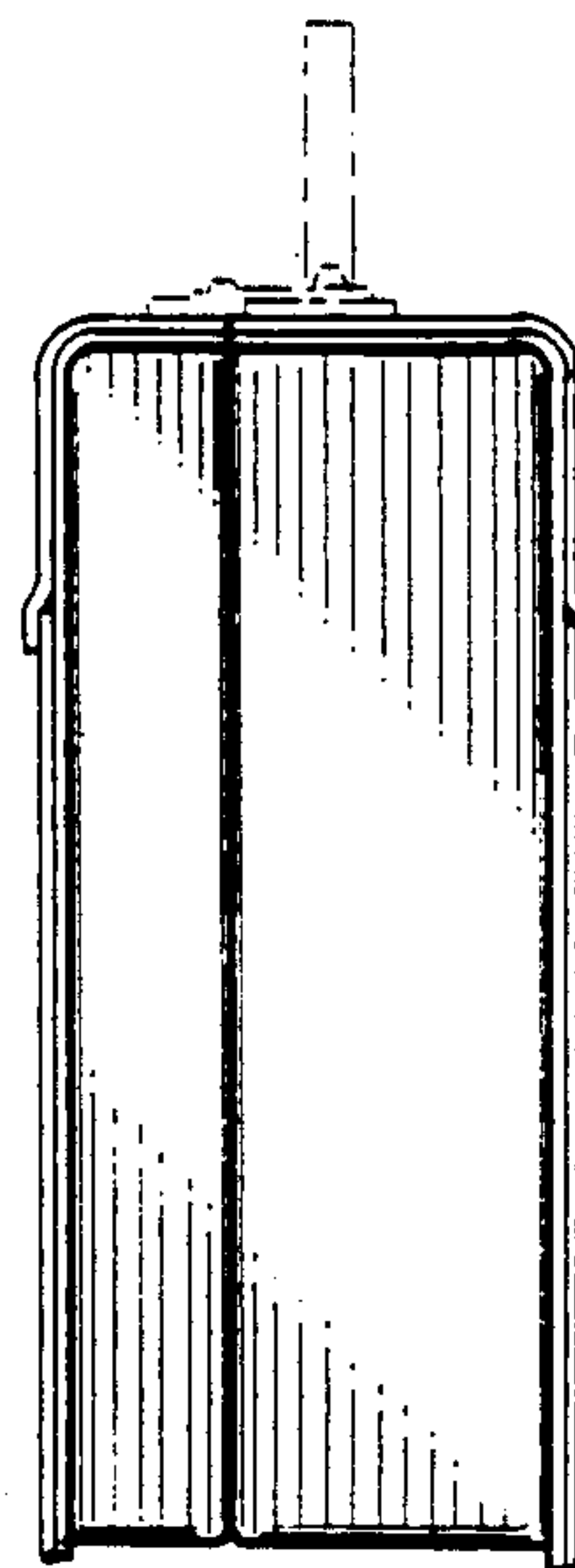


FIG. 6

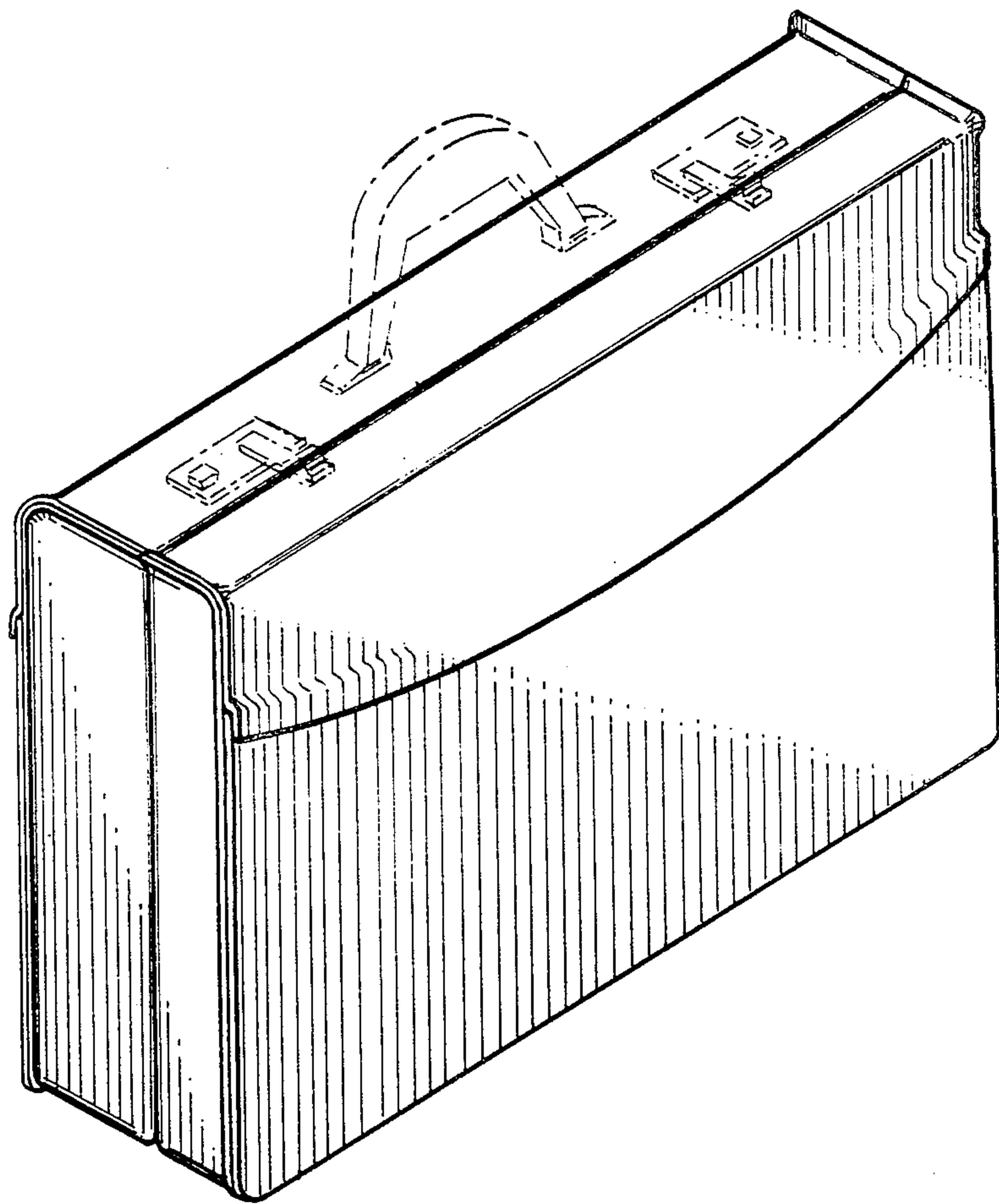


FIG. 7