

[54] PET CASKET

[76] Inventor: Roy E. Brogdon, Gainesville Hwy., Cleveland, Ga. 30528

[\*\*] Term: 14 Years

[21] Appl. No.: 706,655

[22] Filed: Feb. 28, 1985

[52] U.S. Cl. D99/1; D9/432; 229/125.19; 229/110; 229/164; 229/165; 229/DIG. 4

[58] Field of Search D99/1-16; D9/414, 432, 433; 27/1-10, 14, 16, 19, 35; 229/110, 164, 165, 43, DIG. 4

[56] References Cited

U.S. PATENT DOCUMENTS

D. 33,033	7/1900	Leo	.....	D9/432
D. 222,251	10/1971	Carson	.....	D99/1
D. 240,640	7/1976	Clark et al.	.....	D99/1
305,402	9/1884	Otto, Jr.	.....	D99/1 X
3,997,948	12/1976	Hicks et al.	.....	D99/1 X
4,123,831	11/1978	Covington	.....	27/2
4,156,956	6/1979	Partridge et al.	.....	27/4

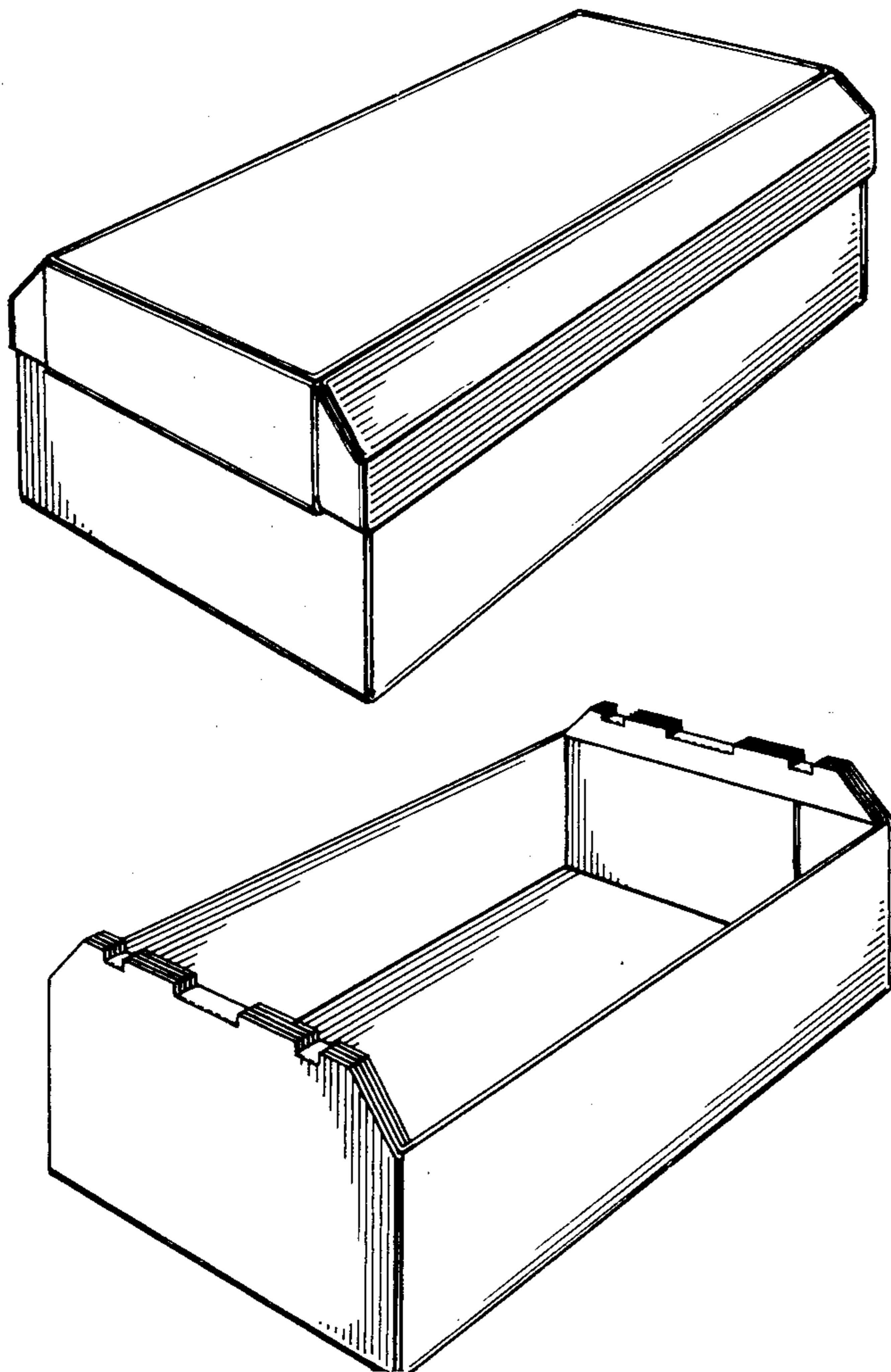
Primary Examiner—Louis S. Zarfaz  
Attorney, Agent, or Firm—Thomas & Kennedy

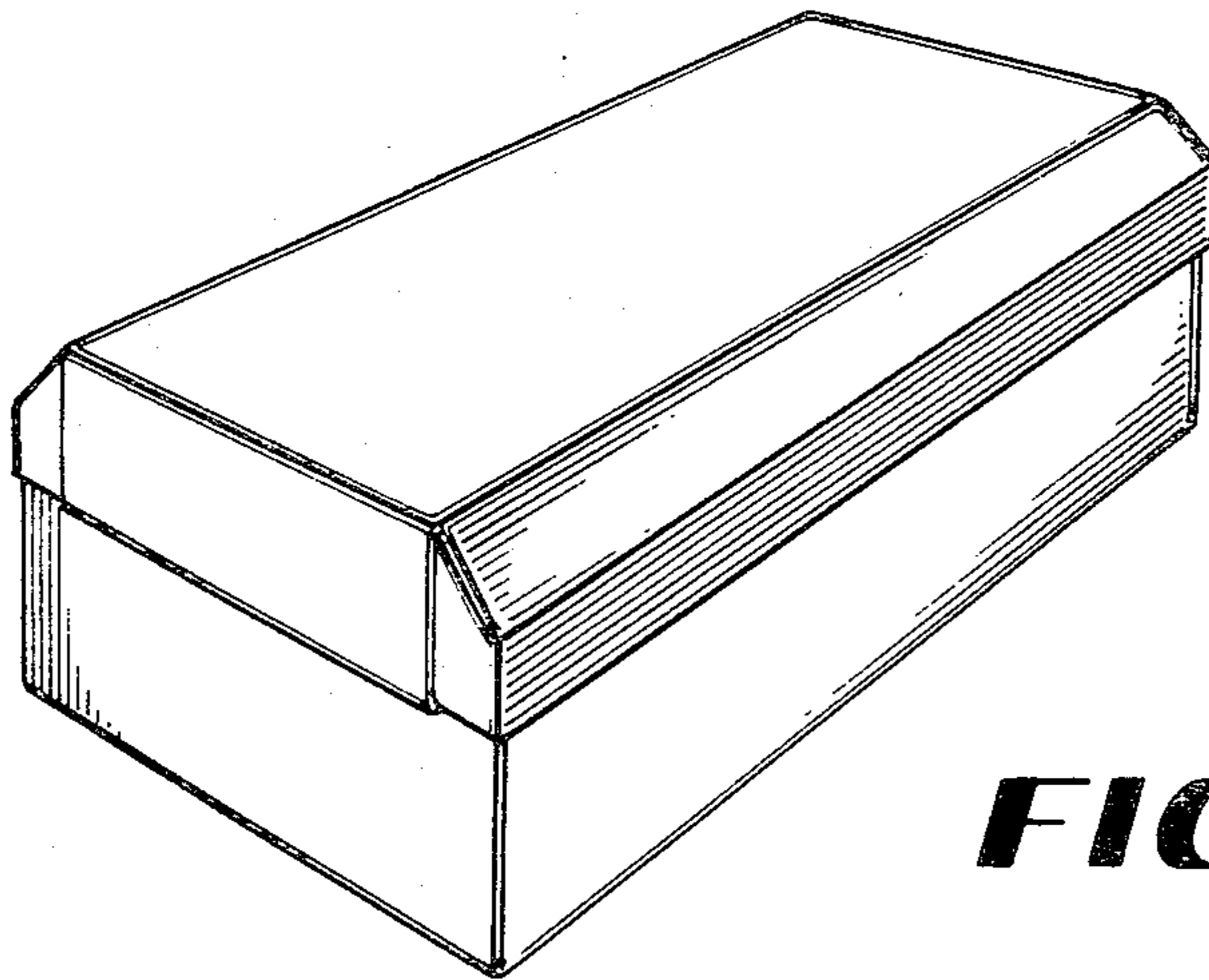
[57] CLAIM

The ornamental design for a pet casket, substantially as shown and described.

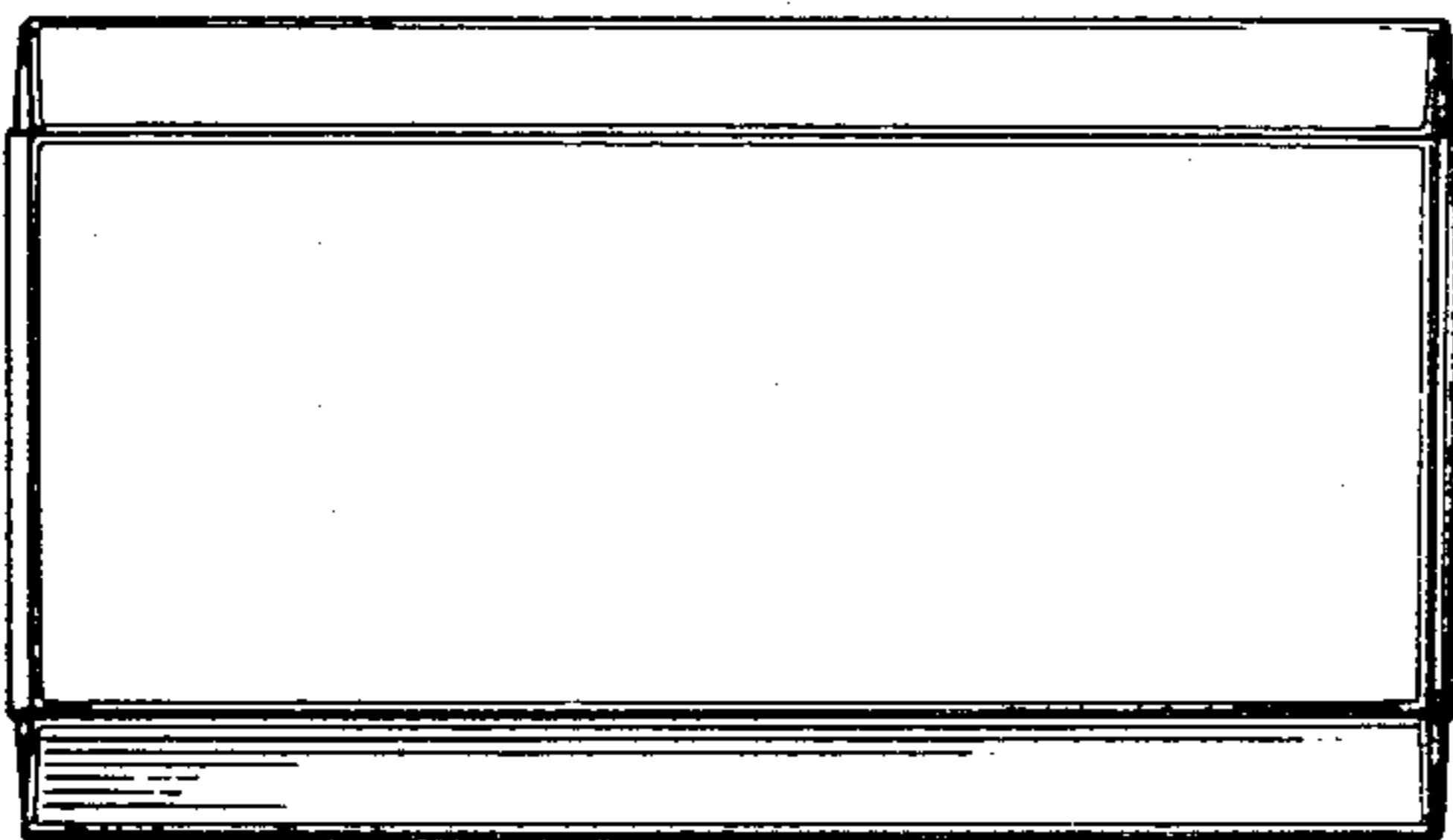
DESCRIPTION

FIG. 1 is a perspective view, showing the top, right side and one end of a pet casket showing my new design; FIG. 2 is a top plan view thereof; FIG. 3 is a bottom plan view thereof; FIG. 4 is an end elevational view thereof, with the opposite end being a duplicate thereof; FIG. 5 is a side elevational view of the right side thereof, with the left side being a duplicate thereof; FIG. 6 is a perspective view of the top of the pet casket, showing the top, the right side and one end thereof; FIG. 7 is a side elevational view of the right side thereof, with the opposite being a duplicate thereof; FIG. 8 is an end elevational view of one end thereof, with the opposite end being a duplicate thereof; FIG. 9 is a top plan view thereof; FIG. 10 is a bottom plan view thereof; FIG. 11 is an end cross sectional view thereof, taken along lines 11—11 of FIG. 7; FIG. 12 is a perspective view of the bottom of the pet casket, showing the right side, one end and a portion of the interior thereof; FIG. 13 is an end elevational view thereof, with the opposite end being a duplicate thereof; FIG. 14 is a side elevational view thereof, with the opposite being a duplicate thereof; FIG. 15 is a top plan view thereof; FIG. 16 is a bottom plan view thereof; and FIG. 17 is an end cross sectional view thereof, taken along lines 17—17 of FIG. 14.

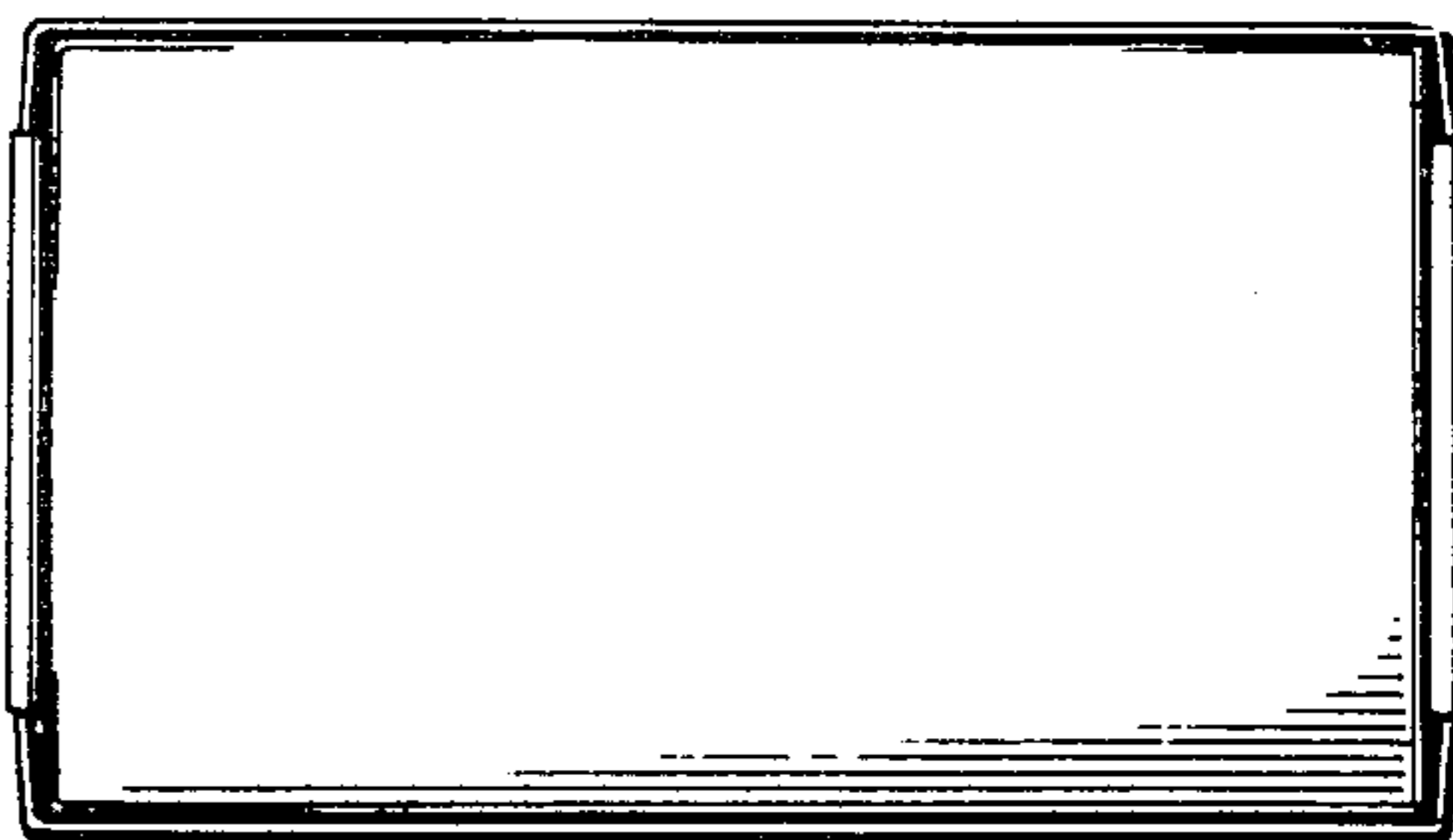




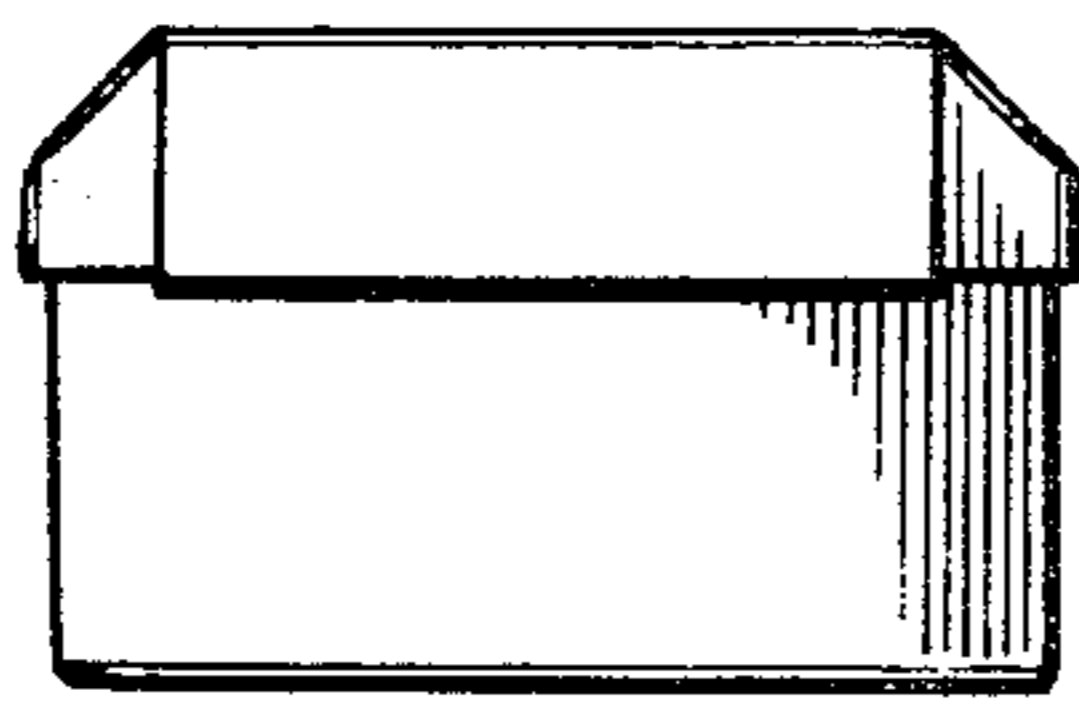
**FIG 1**



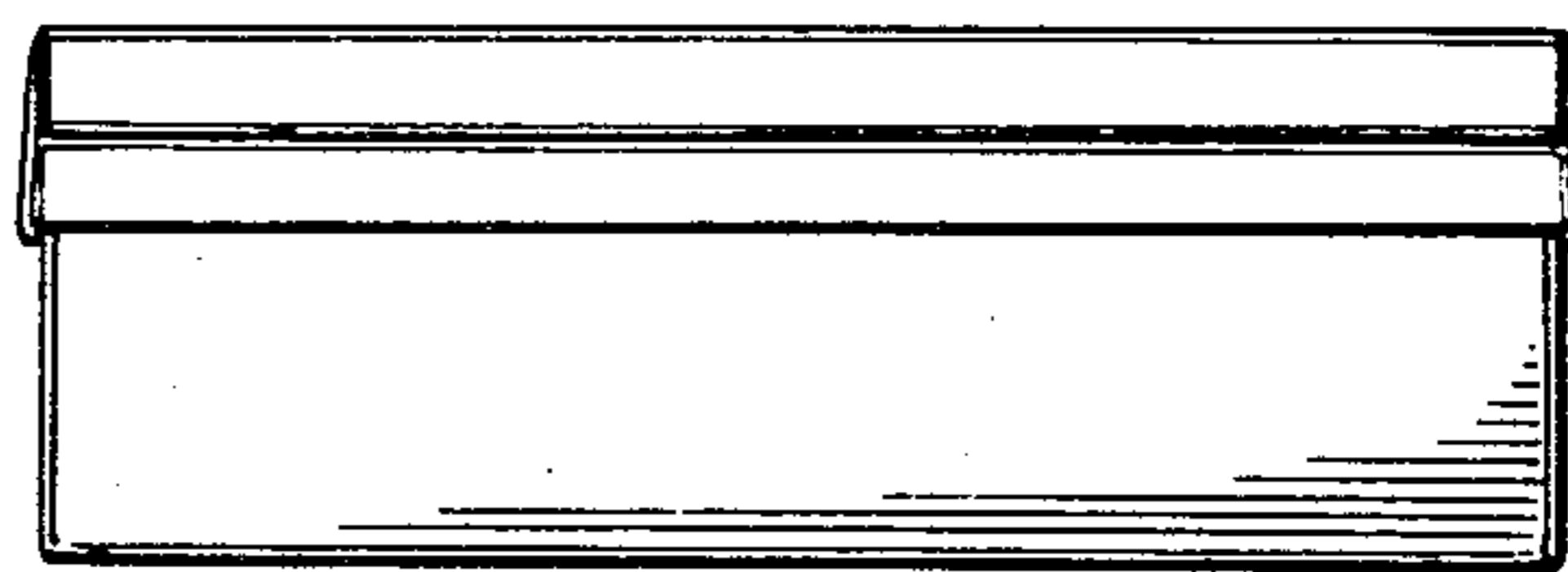
**FIG 2**



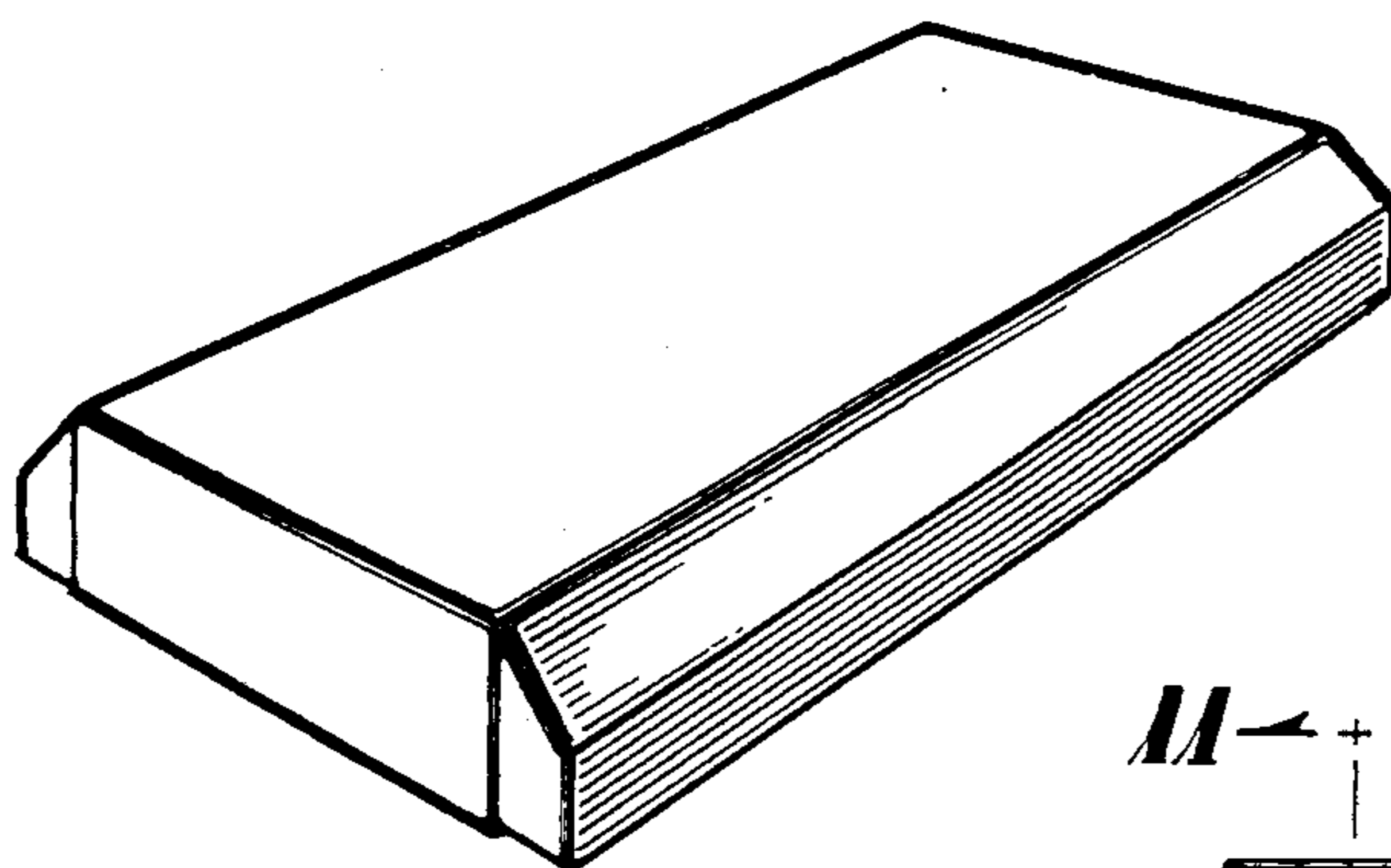
**FIG 3**



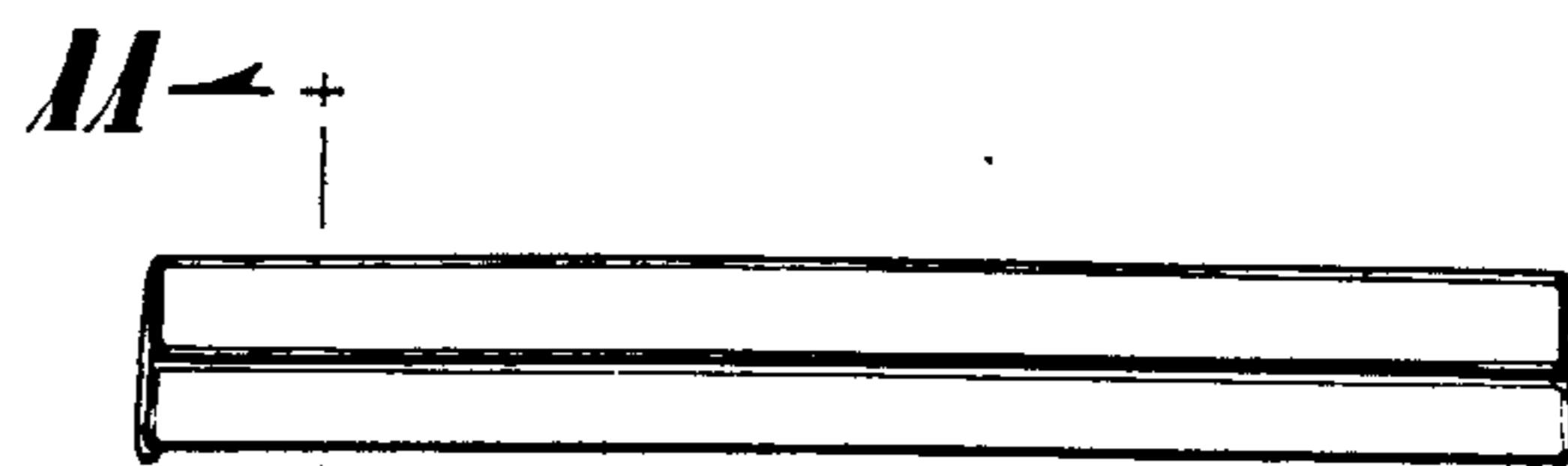
**FIG 4**



**FIG 5**



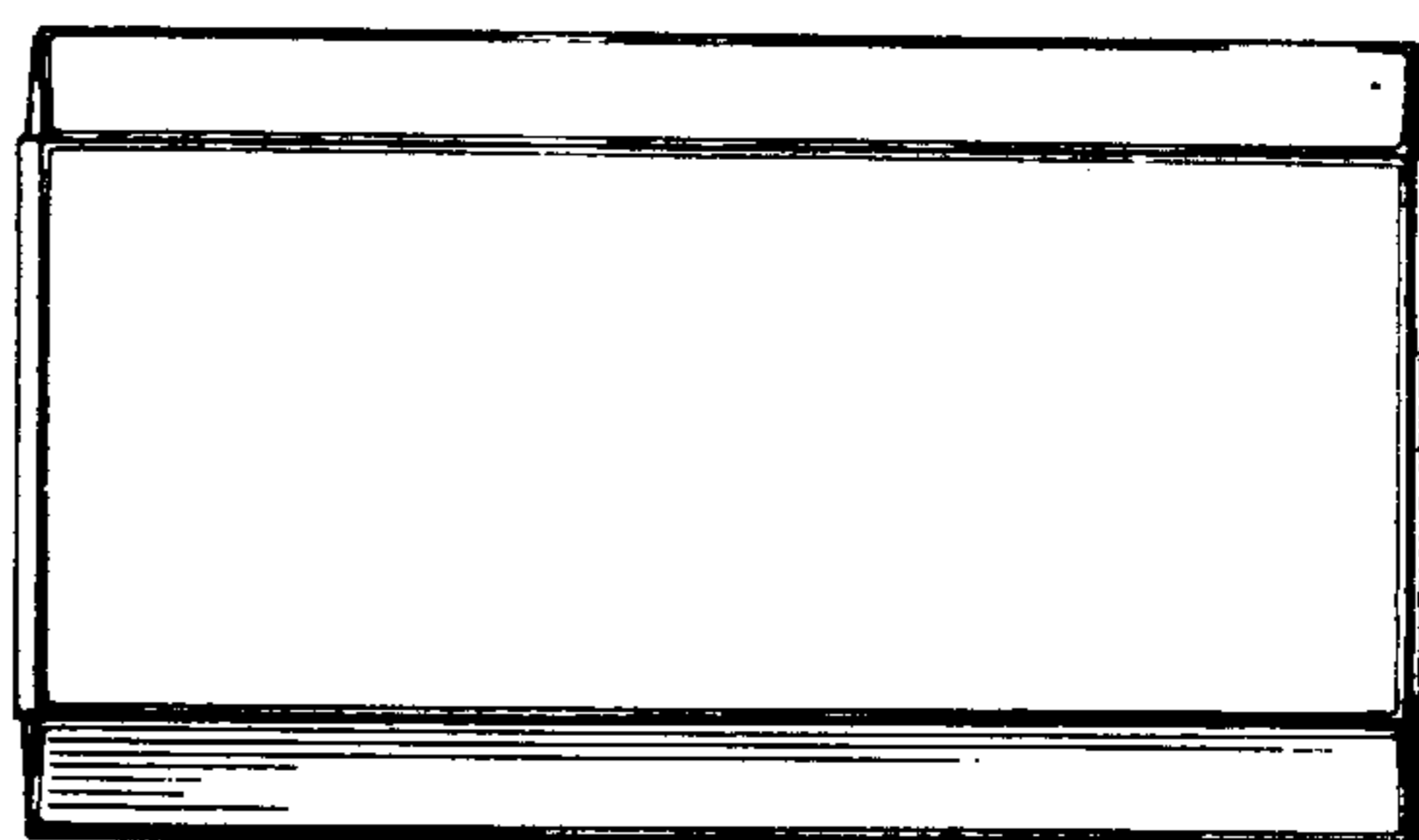
**FIG 6**



**FIG 7**



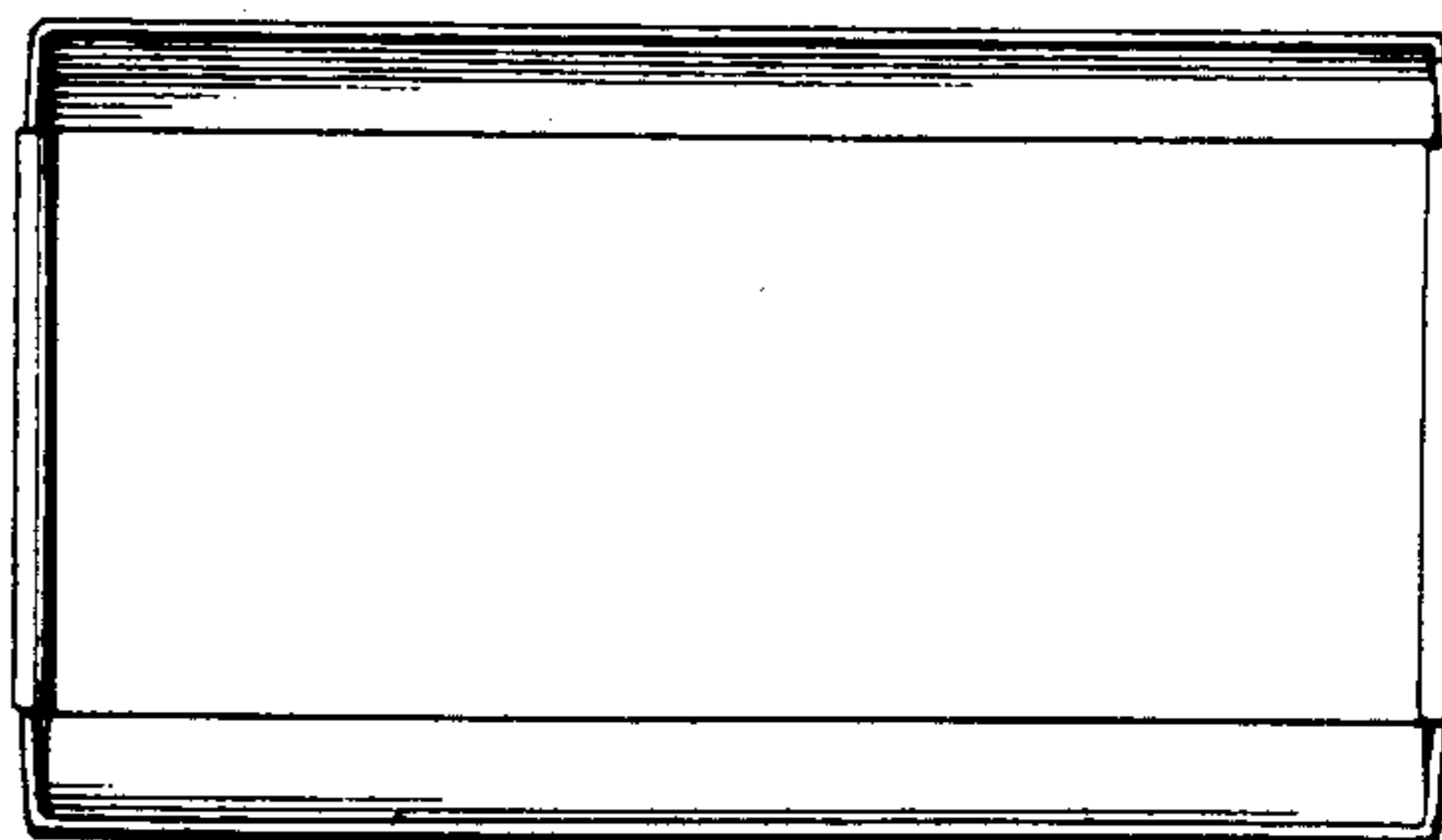
**FIG 8**



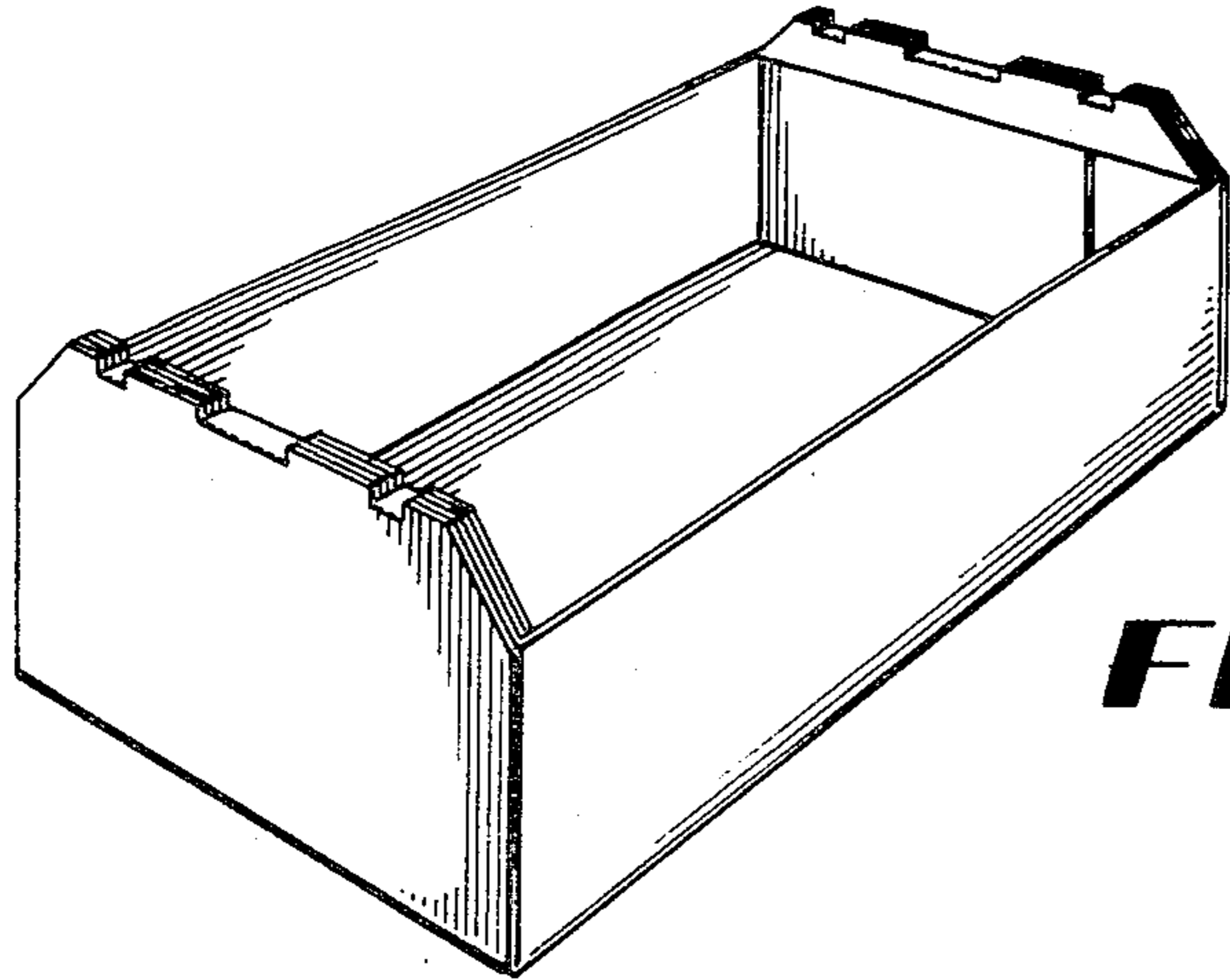
**FIG 9**



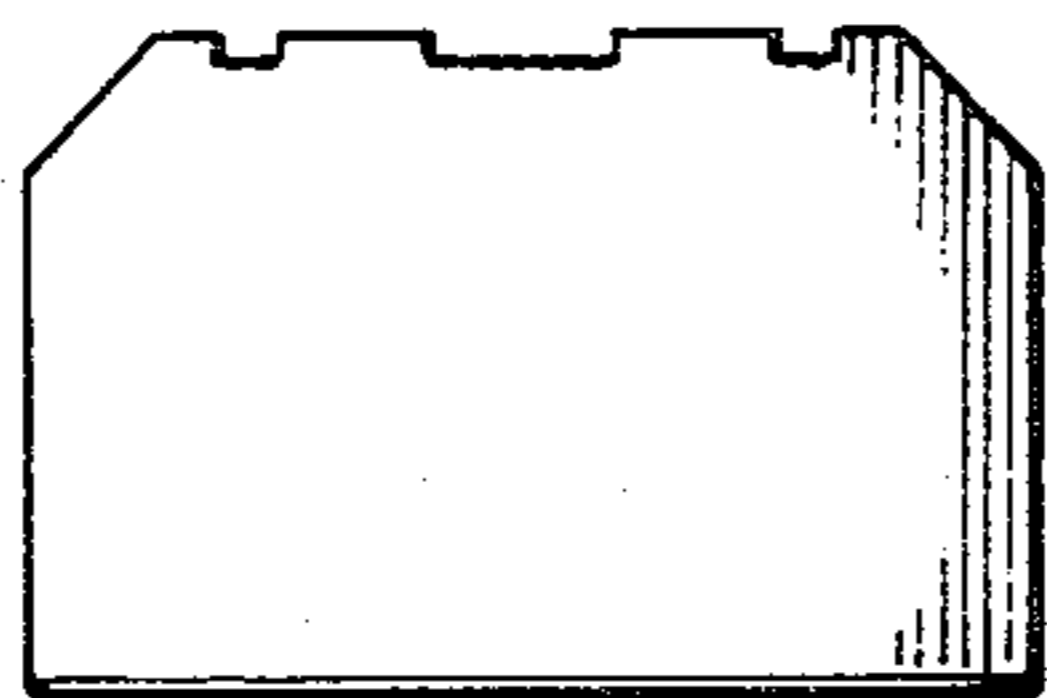
**FIG 11**



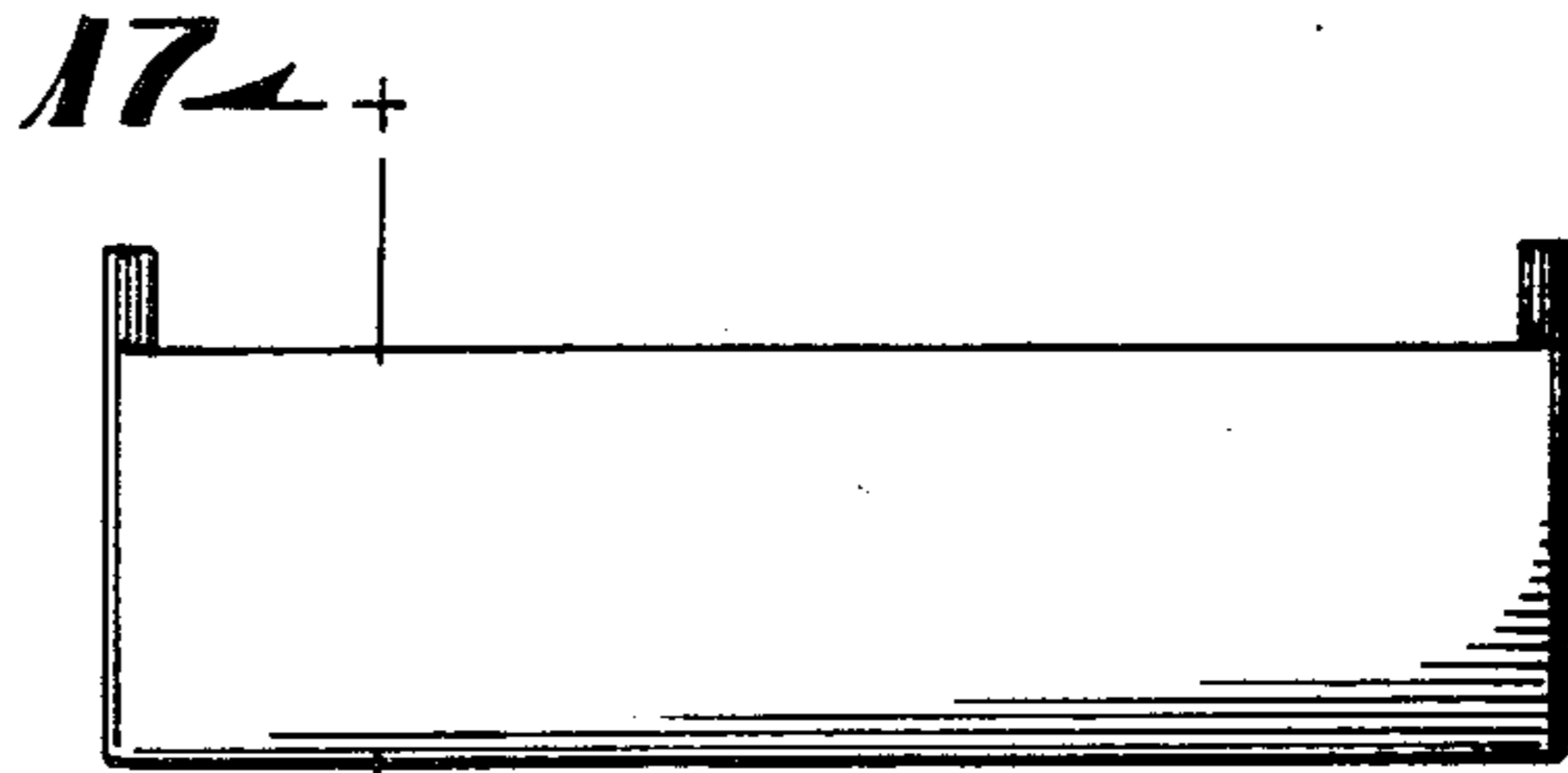
**FIG 10**



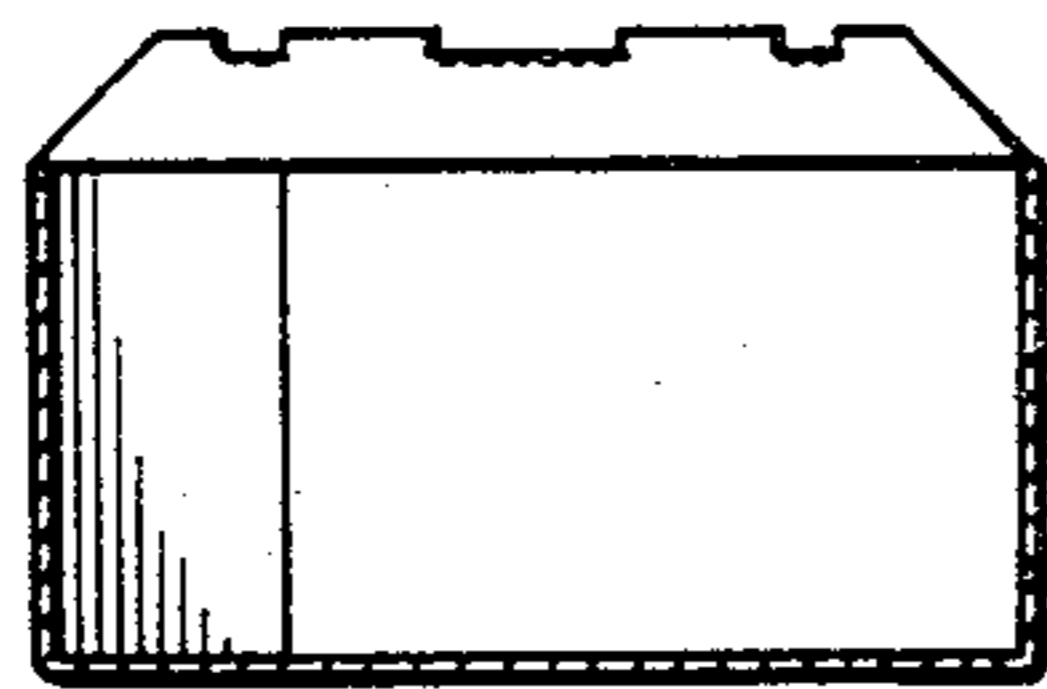
**FIG 12**



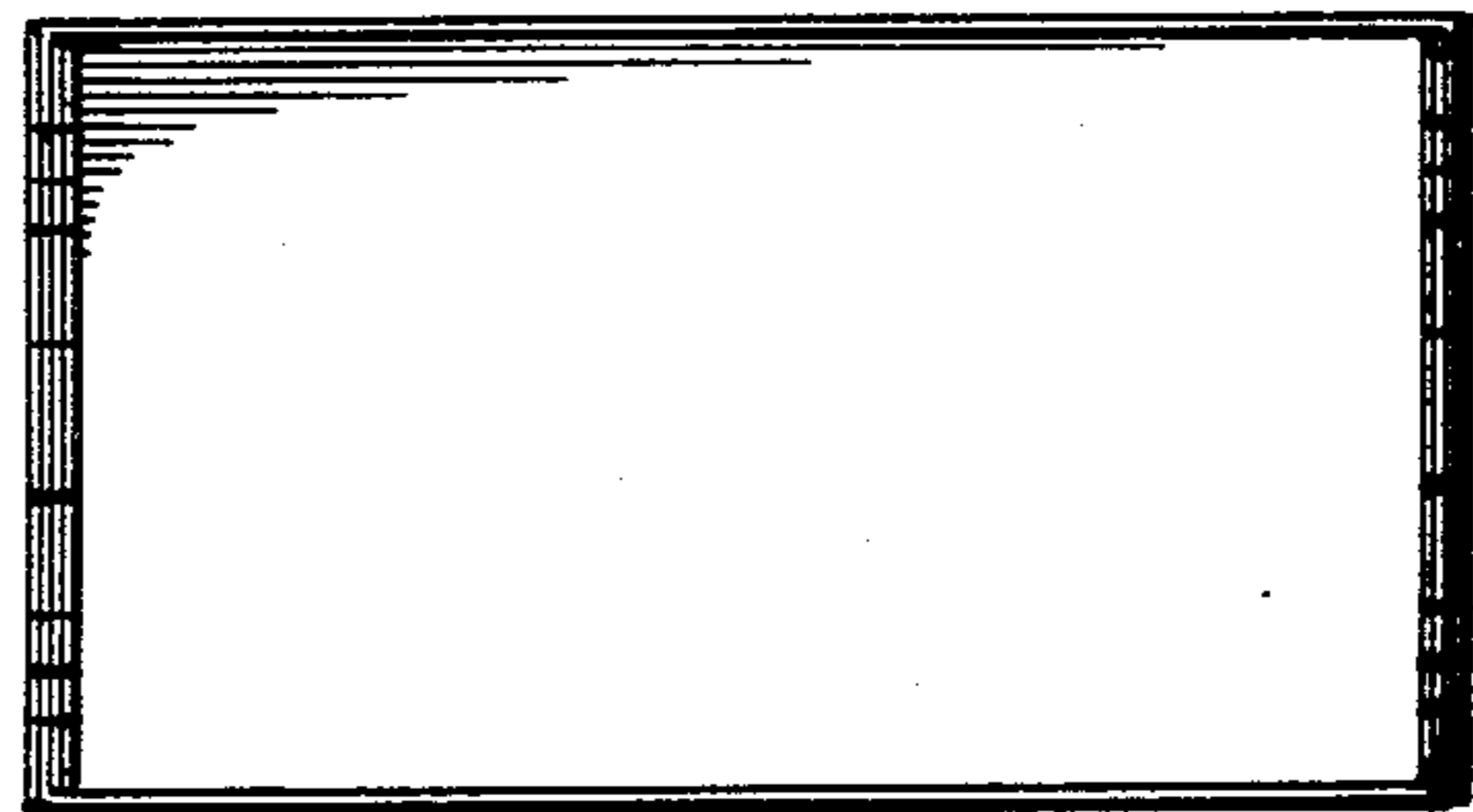
**FIG 13**



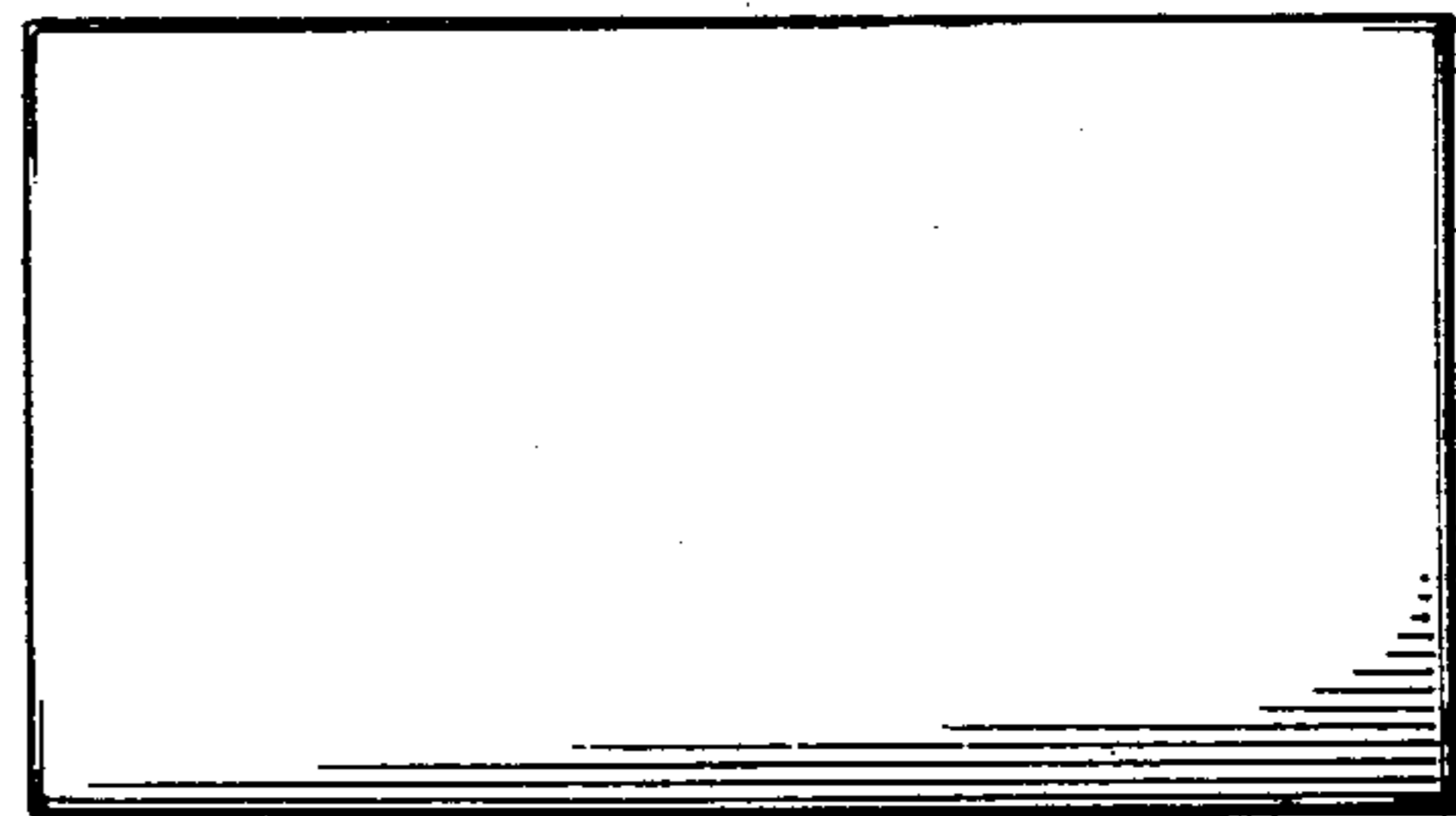
**FIG 14**



**FIG 17**



**FIG 15**



**FIG 16**