

# United States Patent [19]

Juergens

[11] Patent Number: **Des. 292,836**

[45] Date of Patent: **\*\* Nov. 17, 1987**

[54] BUCKET

[75] Inventor: **David A. Juergens, Winchester, Va.**

[73] Assignee: **Rubbermaid Commercial Products Inc., Winchester, Va.**

[\*\*] Term: **14 Years**

[21] Appl. No.: **900,104**

[22] Filed: **Aug. 25, 1986**

[52] U.S. Cl. .... **D32/53**

[58] Field of Search ..... **D32/53; 15/260, 261, 15/262, 263, 264**

[56] **References Cited**

**U.S. PATENT DOCUMENTS**

D. 180,308 5/1957 Willis ..... D32/53  
D. 204,507 4/1966 Davis ..... D32/53  
D. 217,019 3/1970 Churan ..... D32/53

D. 232,152 7/1974 Roper et al. .... D32/53  
1,791,180 2/1931 Wendle ..... 15/264  
1,848,331 3/1932 Esslinger ..... 15/264  
2,215,607 9/1940 Eastwood ..... D32/53 X  
3,015,412 1/1962 Klages ..... D32/53 X

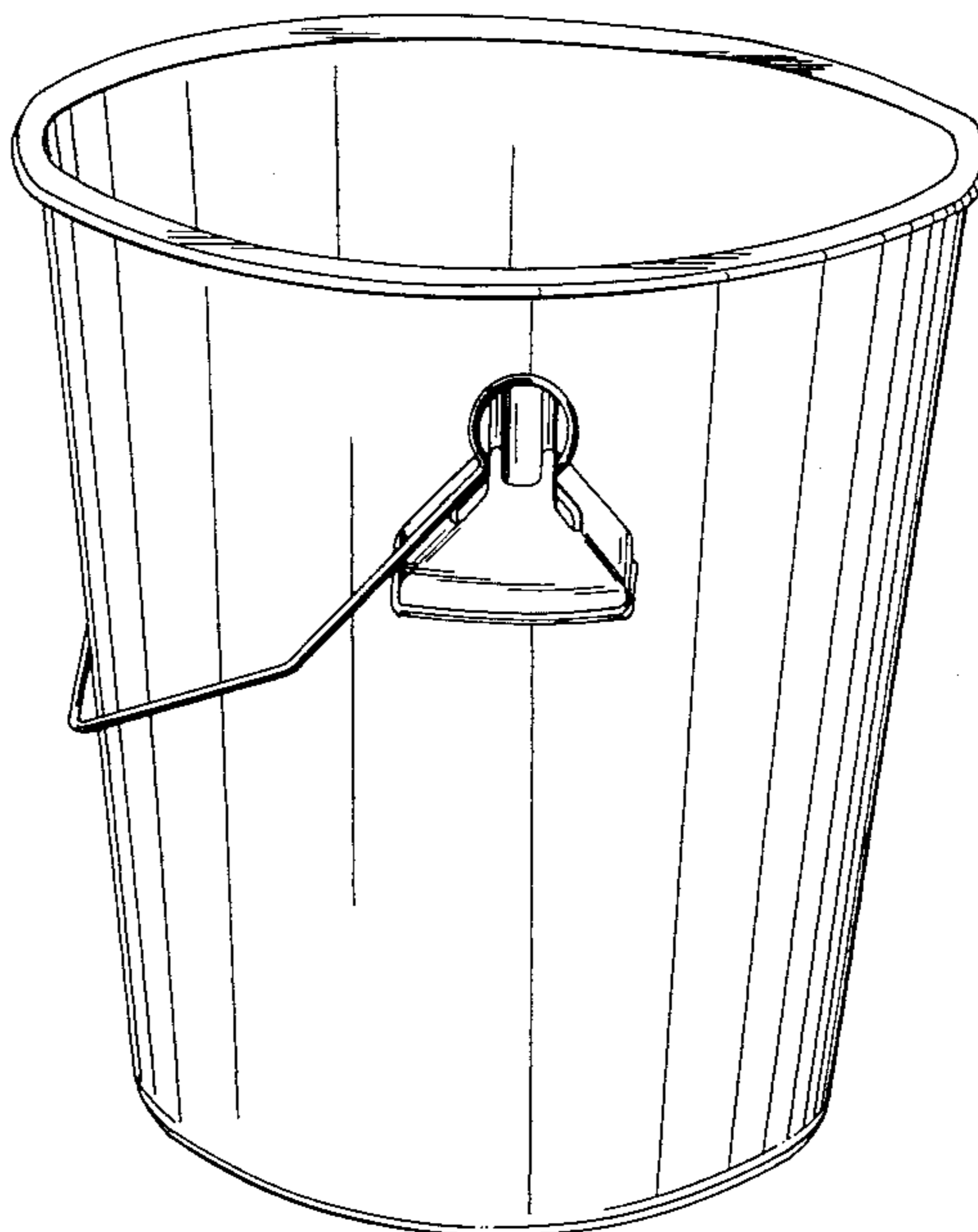
*Primary Examiner*—Catherine E. Kemper  
*Attorney, Agent, or Firm*—Richard B. O'Planick

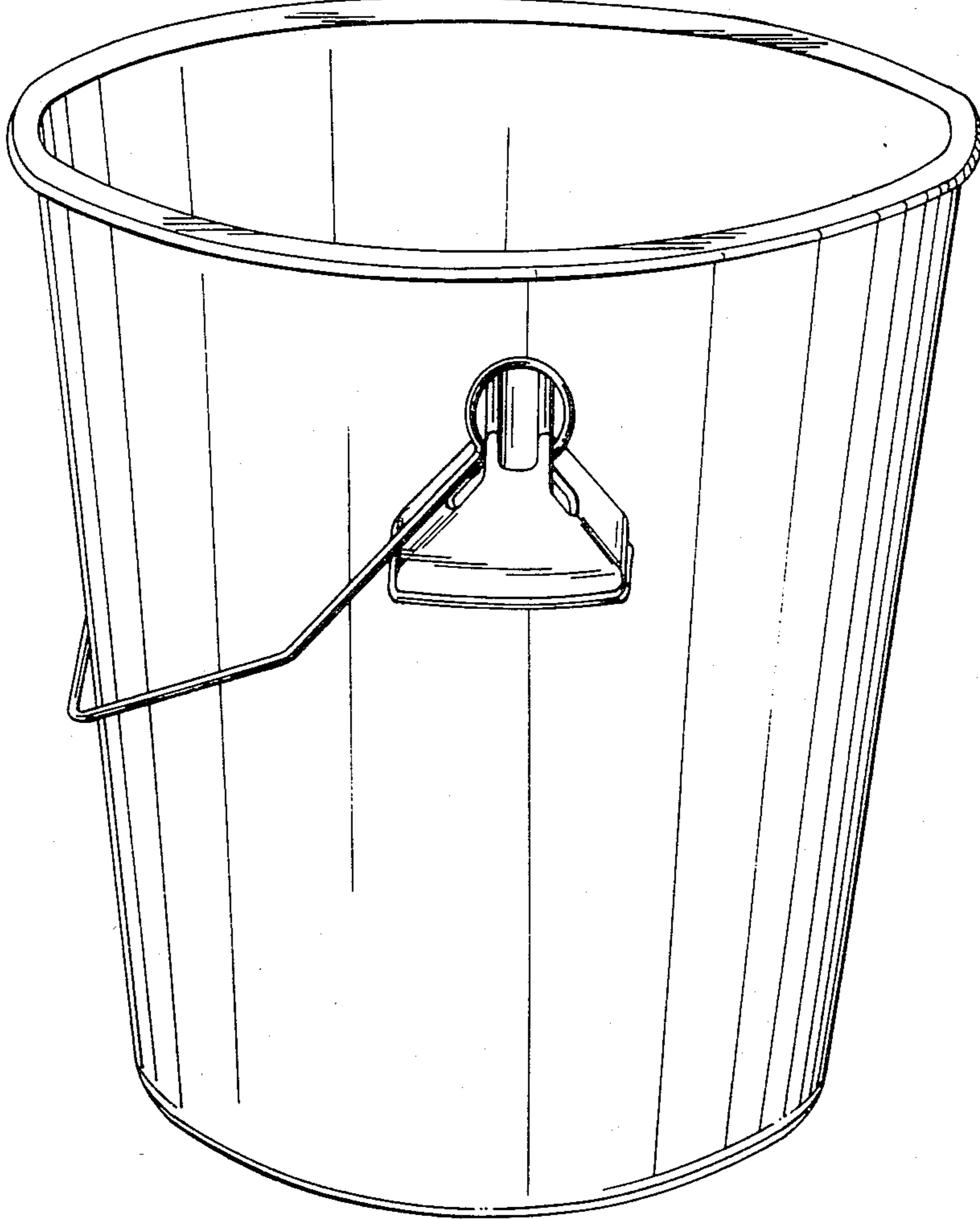
[57] **CLAIM**

The ornamental design for a bucket, as shown and described.

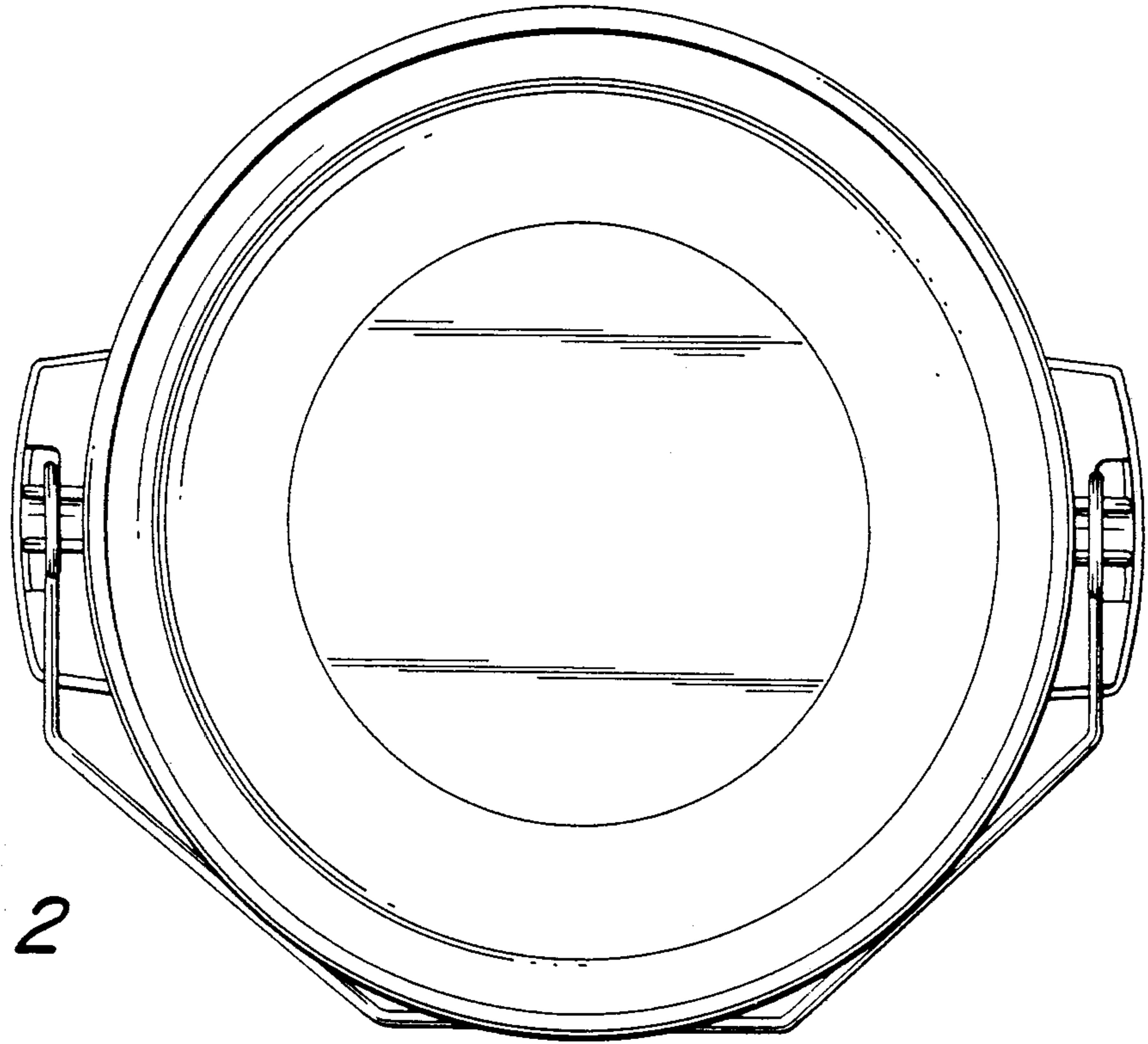
**DESCRIPTION**

FIG. 1 is a side perspective view of a bucket showing my new design;  
FIG. 2 is a top plan view thereof;  
FIG. 3 is a front elevational view thereof;  
FIG. 4 is a side elevational view, the opposite side being identical thereto;  
FIG. 5 is a bottom plan view thereof.

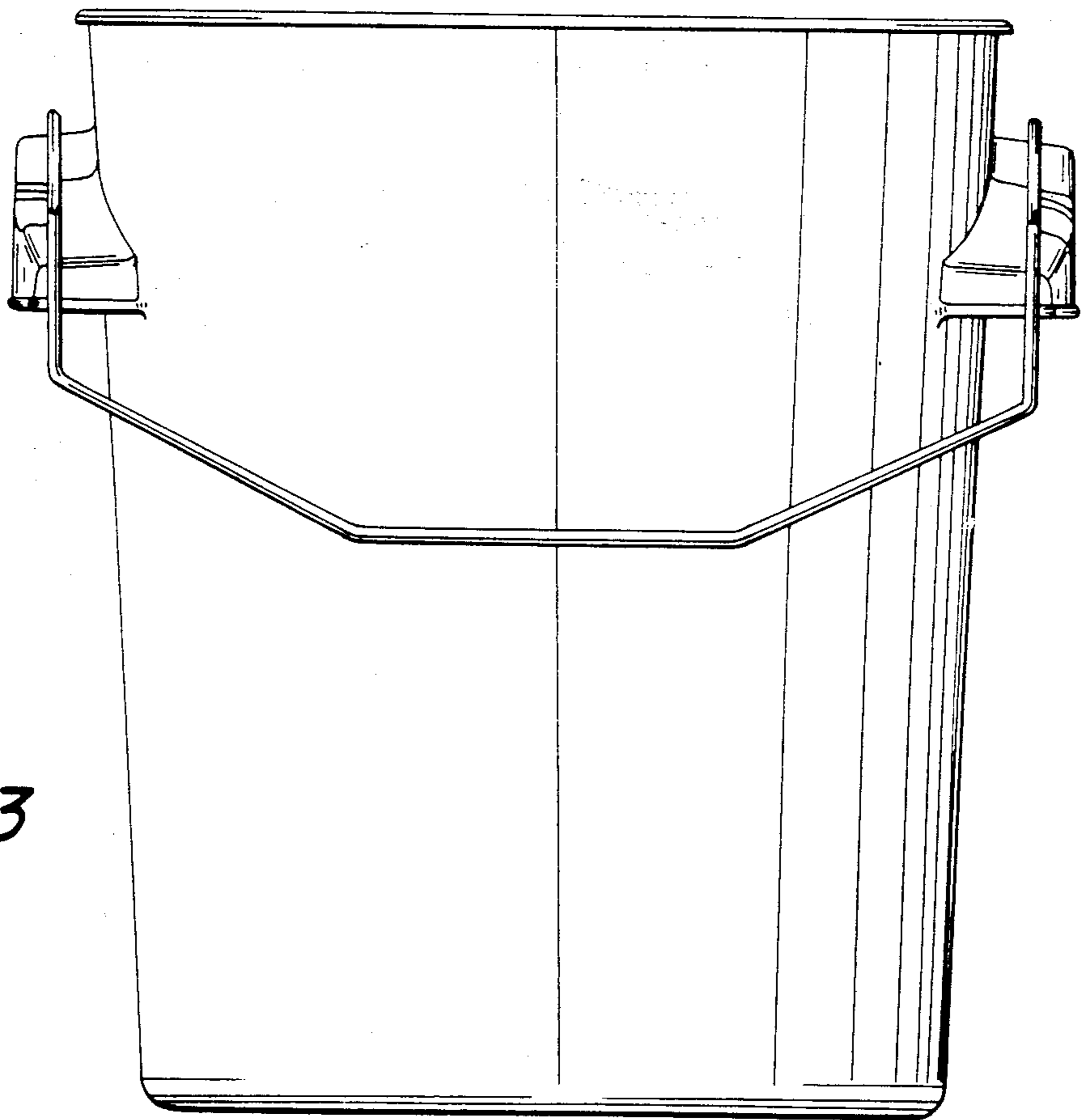




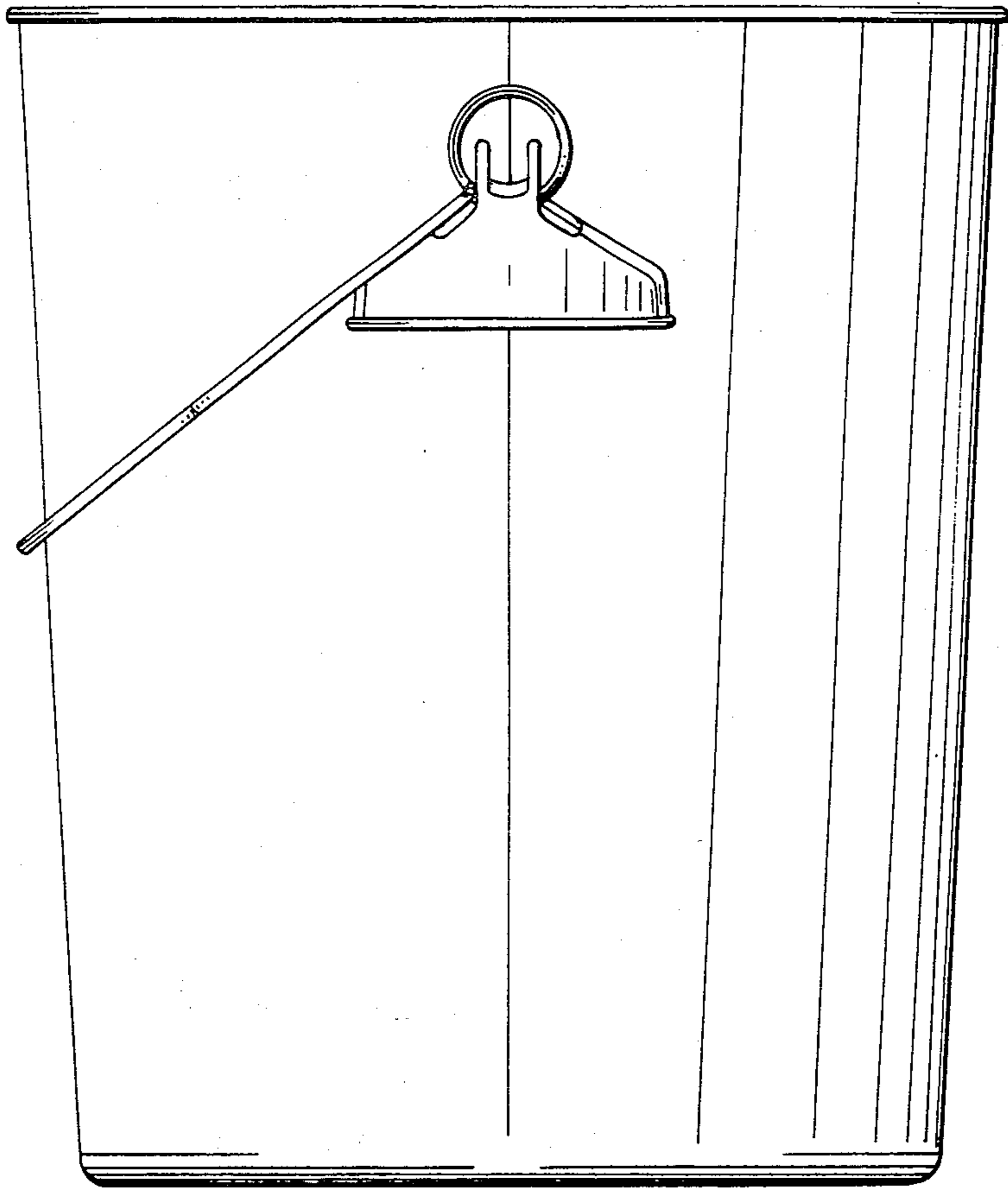
*Fig. 1*



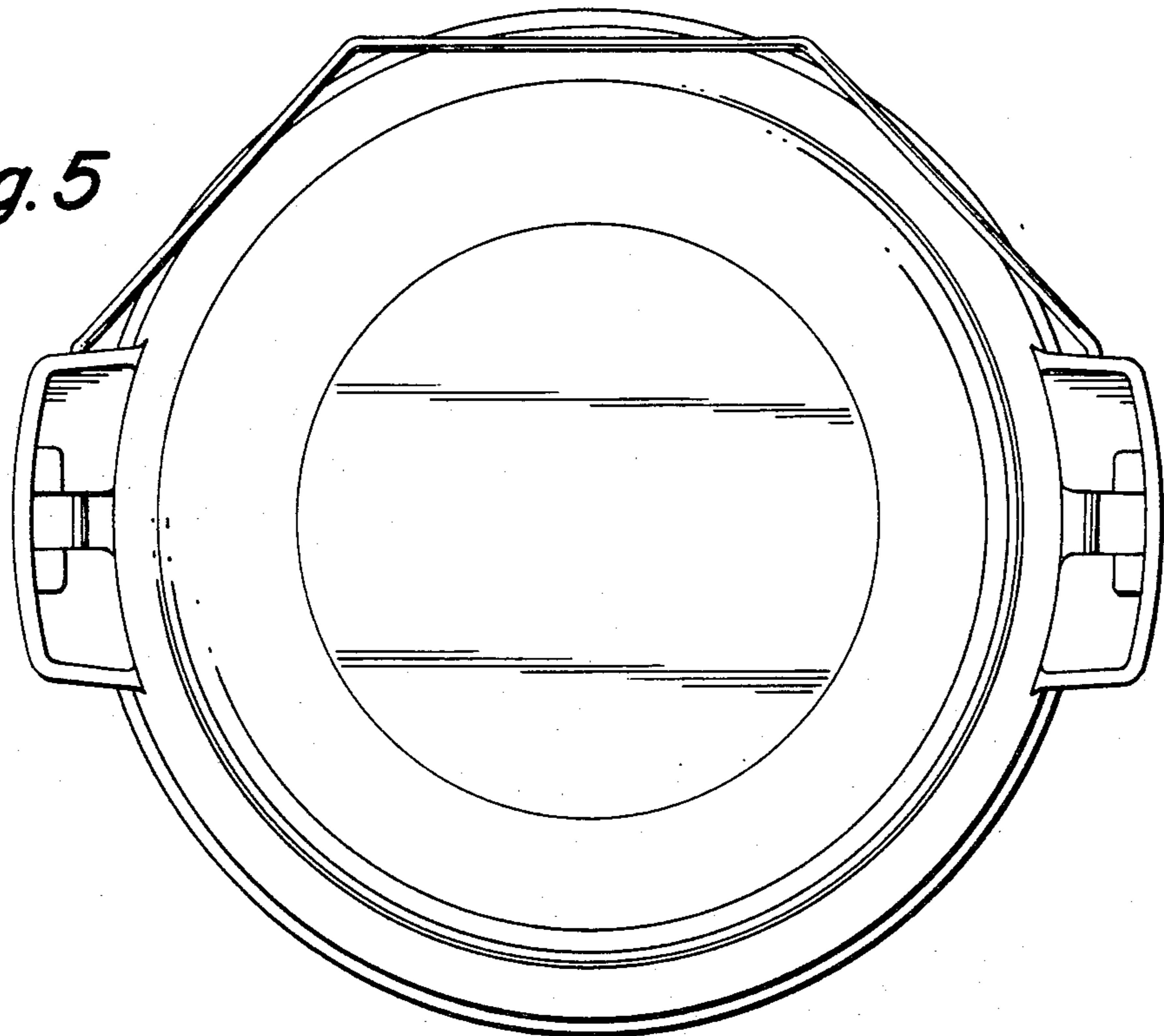
*Fig. 2*



*Fig. 3*



*Fig. 4*



*Fig. 5*