

United States Patent [19]

Schaber

[11] Patent Number: **Des. 292,835**

[45] Date of Patent: **** Nov. 17, 1987**

- [54] **GARBAGE PUSHER OR THE LIKE**
- [76] Inventor: **John F. Schaber**, 10320 SW. Coquille Dr., Tualatin, Oreg. 97062
- [**] Term: **14 Years**
- [21] Appl. No.: **737,653**
- [22] Filed: **May 24, 1985**
- [52] U.S. Cl. **D32/35; D8/14; D32/46**
- [58] Field of Search **D32/35, 42, 46-49; D8/14; 15/236 R; 81/488; 30/169, 172; 294/1.1**

- D. 269,302 6/1983 Auerbach D32/35 X
D. 269,471 6/1983 Auerbach D32/35
D. 274,273 6/1984 Auerbach D32/35
3,088,345 5/1963 Campbell 81/488
3,765,275 10/1973 Johnson 81/488
4,250,771 2/1981 Berler .
4,297,761 11/1981 Loos D32/40 X

Primary Examiner—Catherine E. Kemper
Attorney, Agent, or Firm—Joseph E. Mueth

[57] **CLAIM**

The ornamental design for garbage pusher or the like, substantially as shown and described.

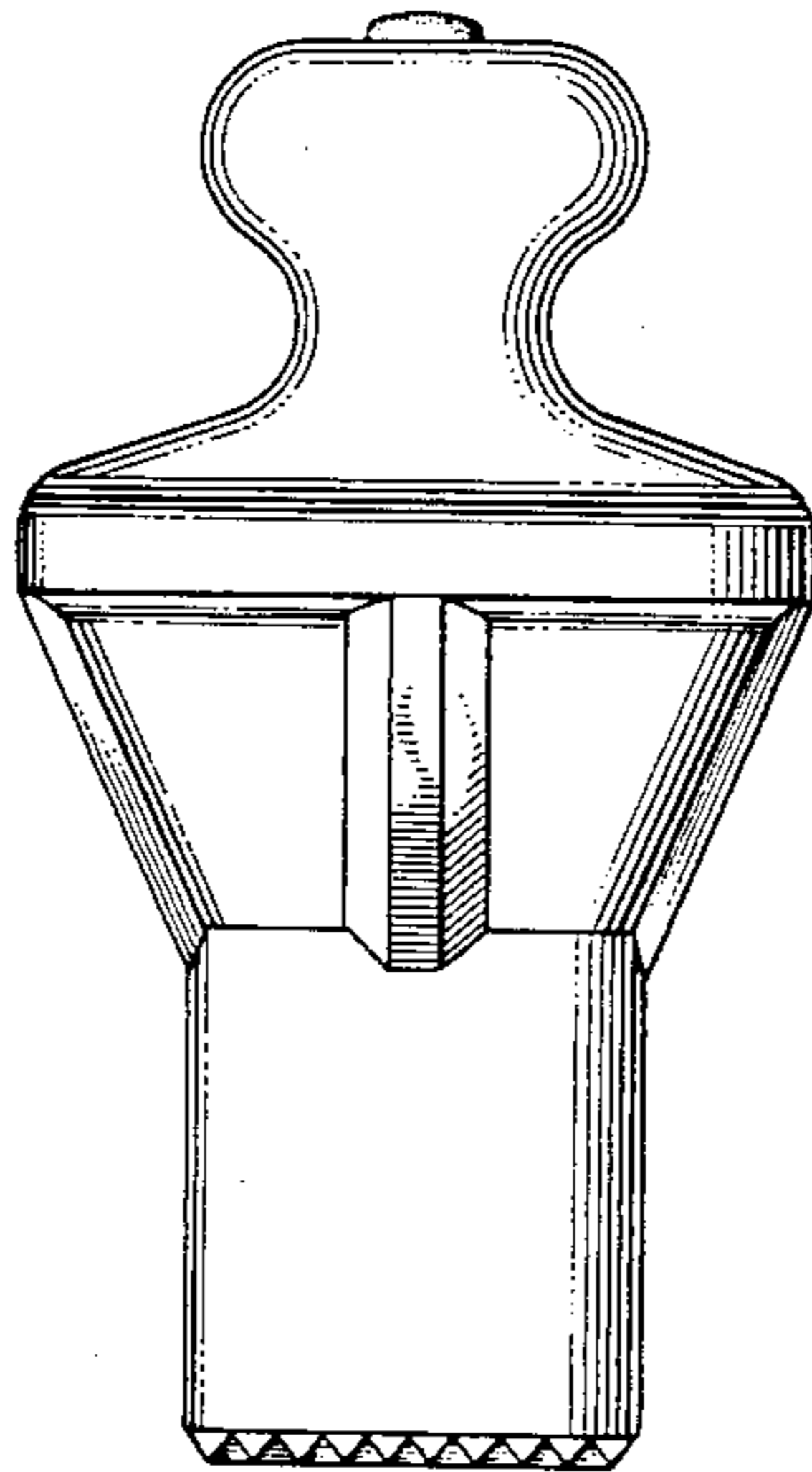
DESCRIPTION

FIG. 1 is a front elevational view of a garbage pusher or the like, showing my new design;
FIG. 2 is a side elevational view thereof;
FIG. 3 is a top plan view thereof; and
FIG. 4 is a bottom plan view thereof.

[56] **References Cited**

U.S. PATENT DOCUMENTS

- D. 239,154 3/1976 Liddle D32/35
D. 256,770 9/1980 Broyles D8/14
D. 266,963 11/1982 Sherman D32/35



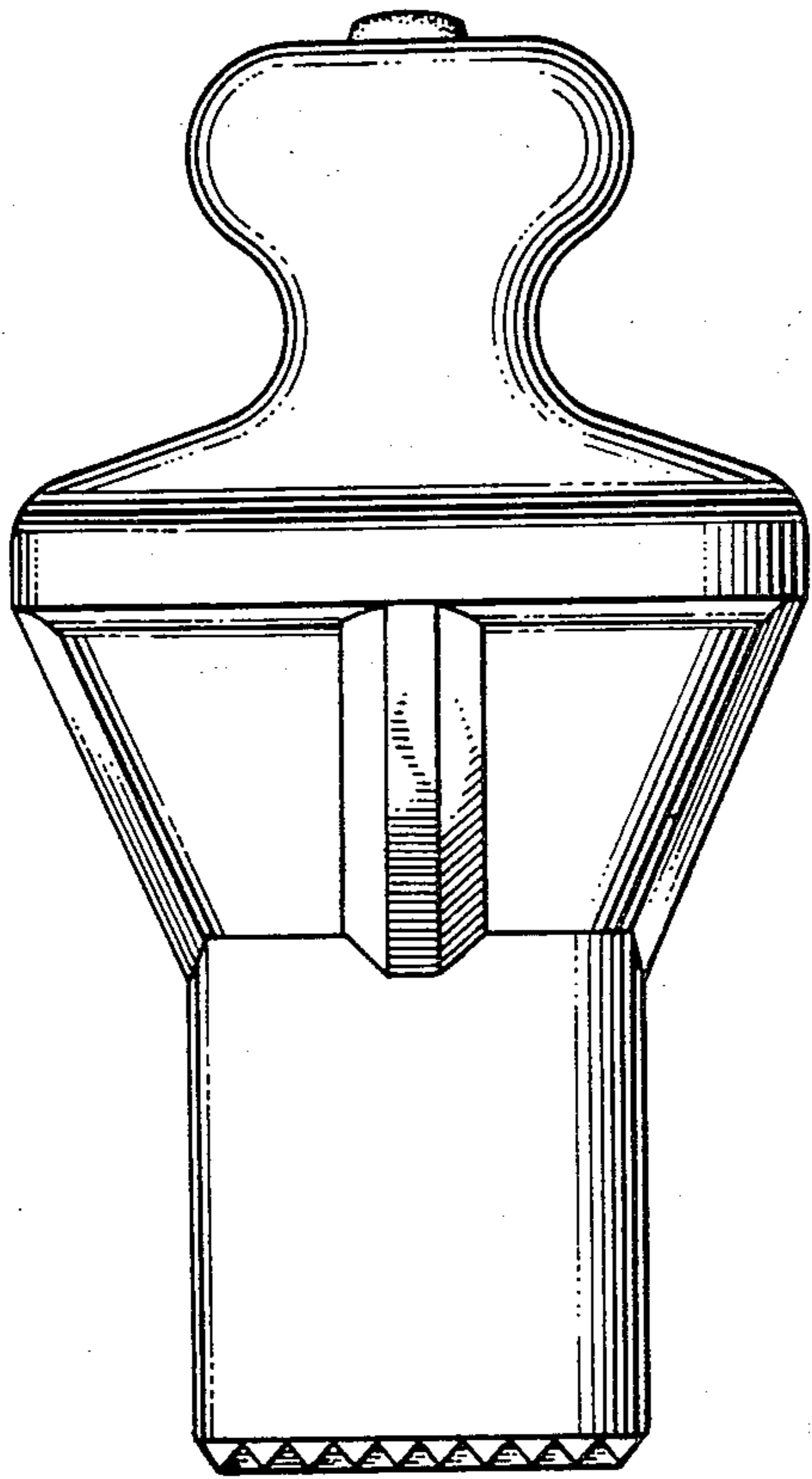


FIG. 1

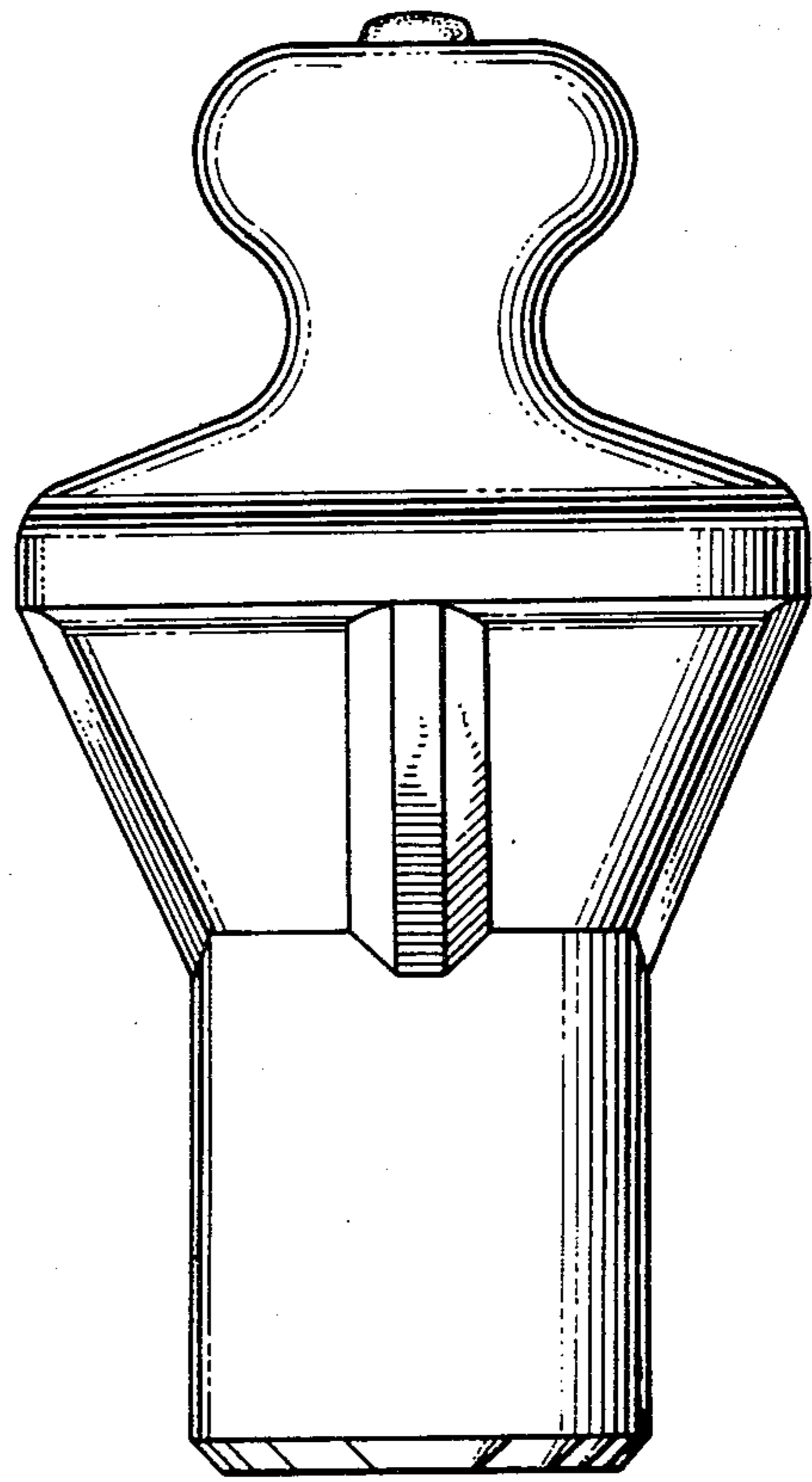


FIG. 2

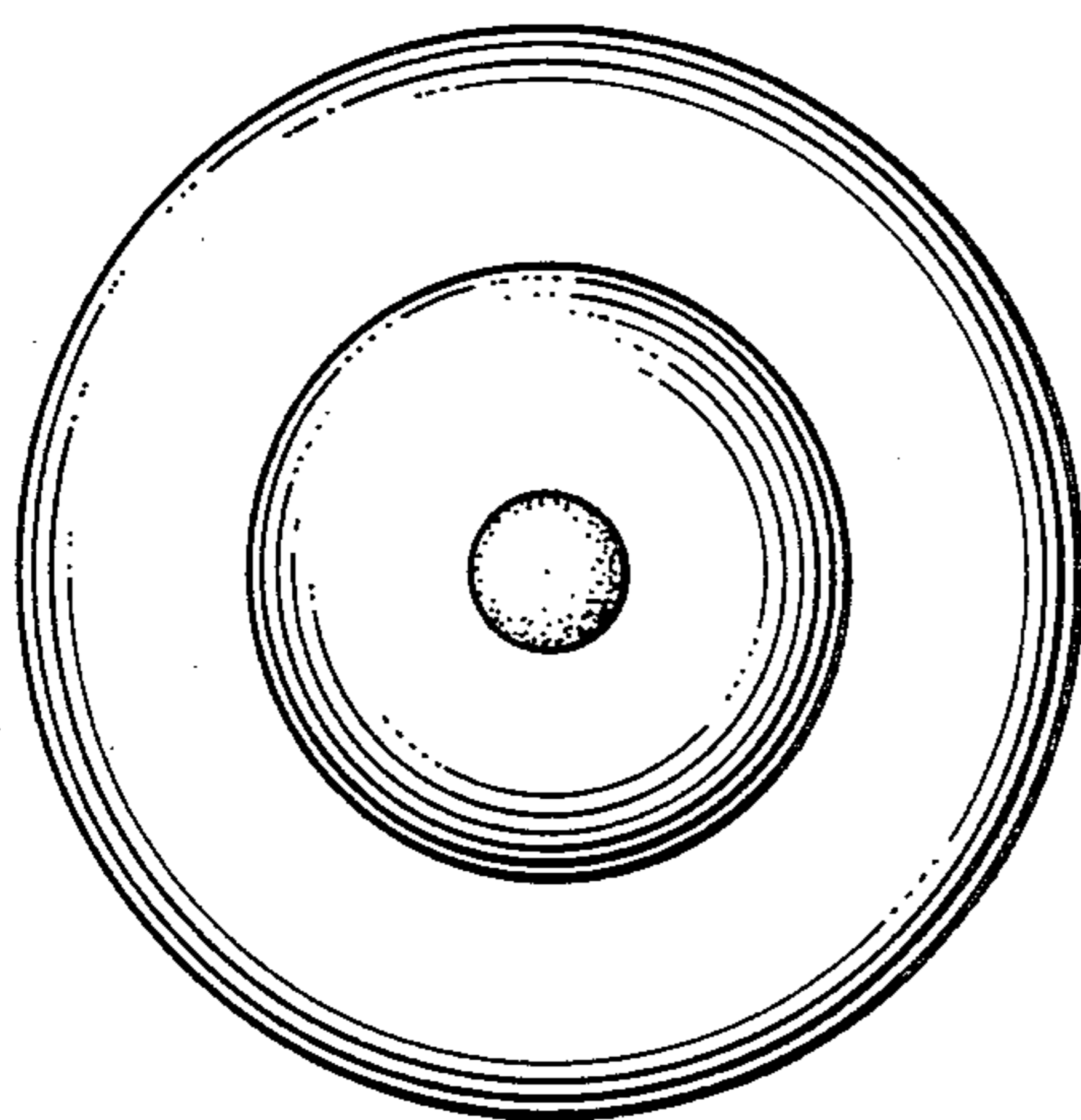


FIG. 3

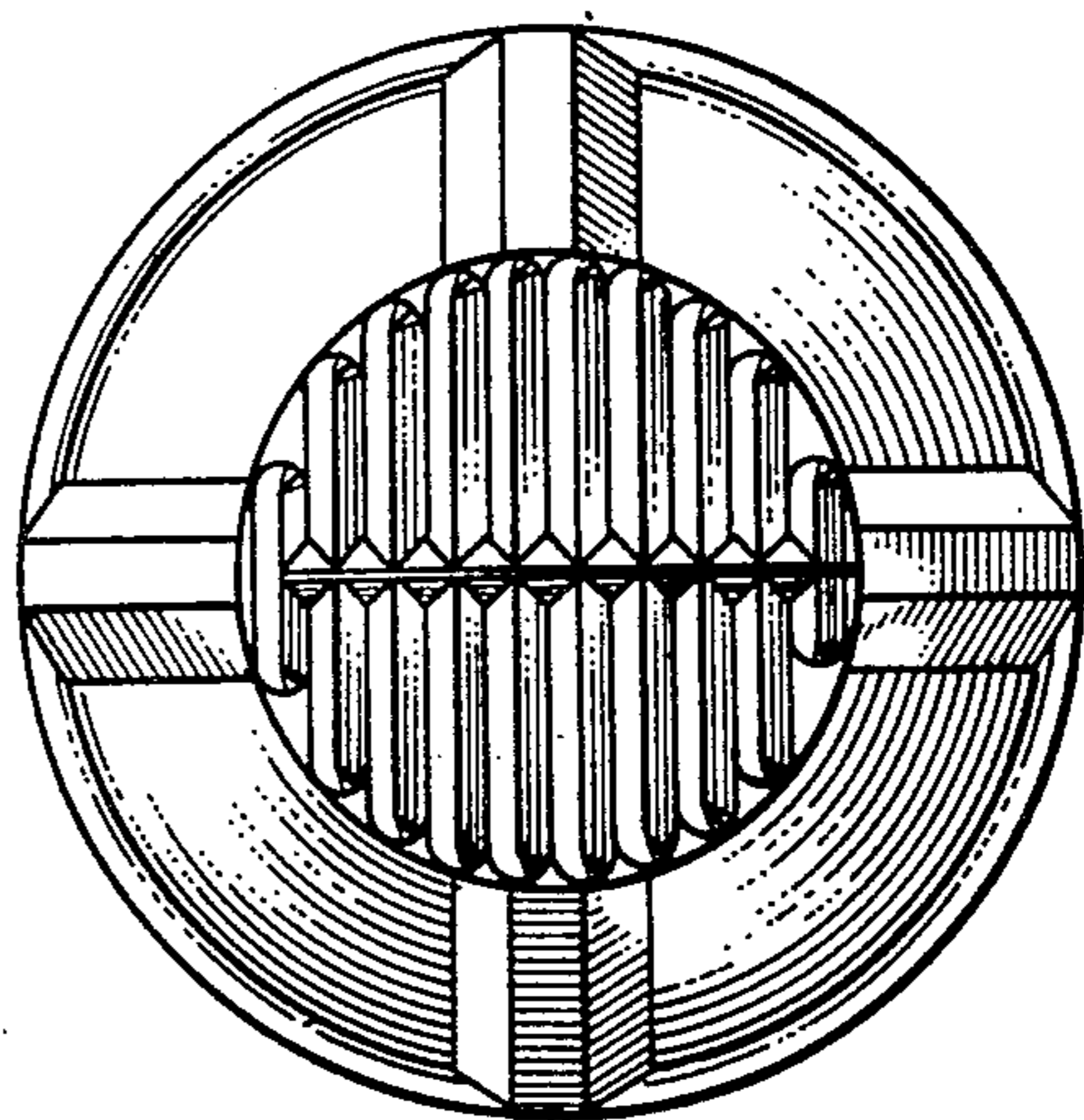


FIG. 4