

United States Patent [19]

Slachta

[11] Patent Number: **Des. 292,834**

[45] Date of Patent: **** Nov. 17, 1987**

[54] **ELECTRIC DRILL ATTACHMENT FOR MOUNTING CLEANING PAD OR THE LIKE**

[76] Inventor: **Nancy Slachta**, 4913 Ash St., 2nd Floor, Hammond, Ind. 46320

[**] Term: **14 Years**

[21] Appl. No.: **739,054**

[22] Filed: **May 29, 1985**

[52] U.S. Cl. **D32/25; D8/70**

[58] Field of Search **D32/19, 25, 31-33; 15/180, 230.16-230.17, 230.19, 422; D8/70; 51/356**

3,490,183 1/1970 Briggs 51/356
3,747,286 7/1973 Haigh 15/230.19
4,322,920 4/1982 Wells 15/180

FOREIGN PATENT DOCUMENTS

404533 4/1967 Australia 15/180

Primary Examiner—Wallace R. Burke

Assistant Examiner—Ruth Takemoto

Attorney, Agent, or Firm—Don E. Ferrell

[57] CLAIM

The ornamental design for an electric drill attachment for mounting cleaning pads or the like, as shown and described.

[56] References Cited

U.S. PATENT DOCUMENTS

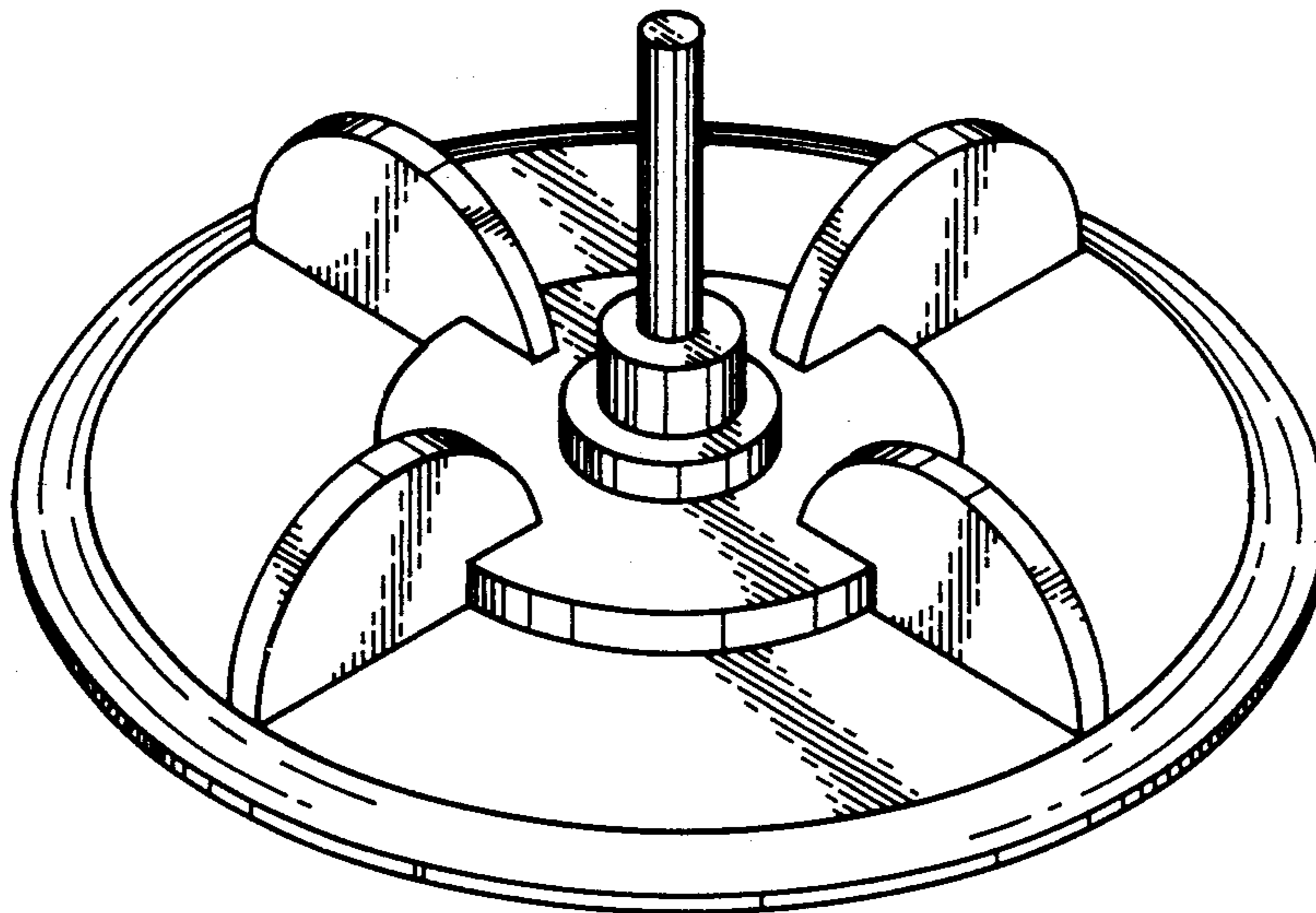
D. 208,851 10/1967 Lindberg, Jr. D32/33
3,008,160 11/1961 West 15/422
3,115,660 12/1963 Hunt 15/230.17
3,243,833 4/1966 Hencken 15/230.16

DESCRIPTION

FIG. 1 is a top perspective view of a electric drill attachment for mounting cleaning pads or the like showing my new design;

FIG. 2 is a side elevational view thereof; and

FIG. 3 is a bottom plan view thereof.



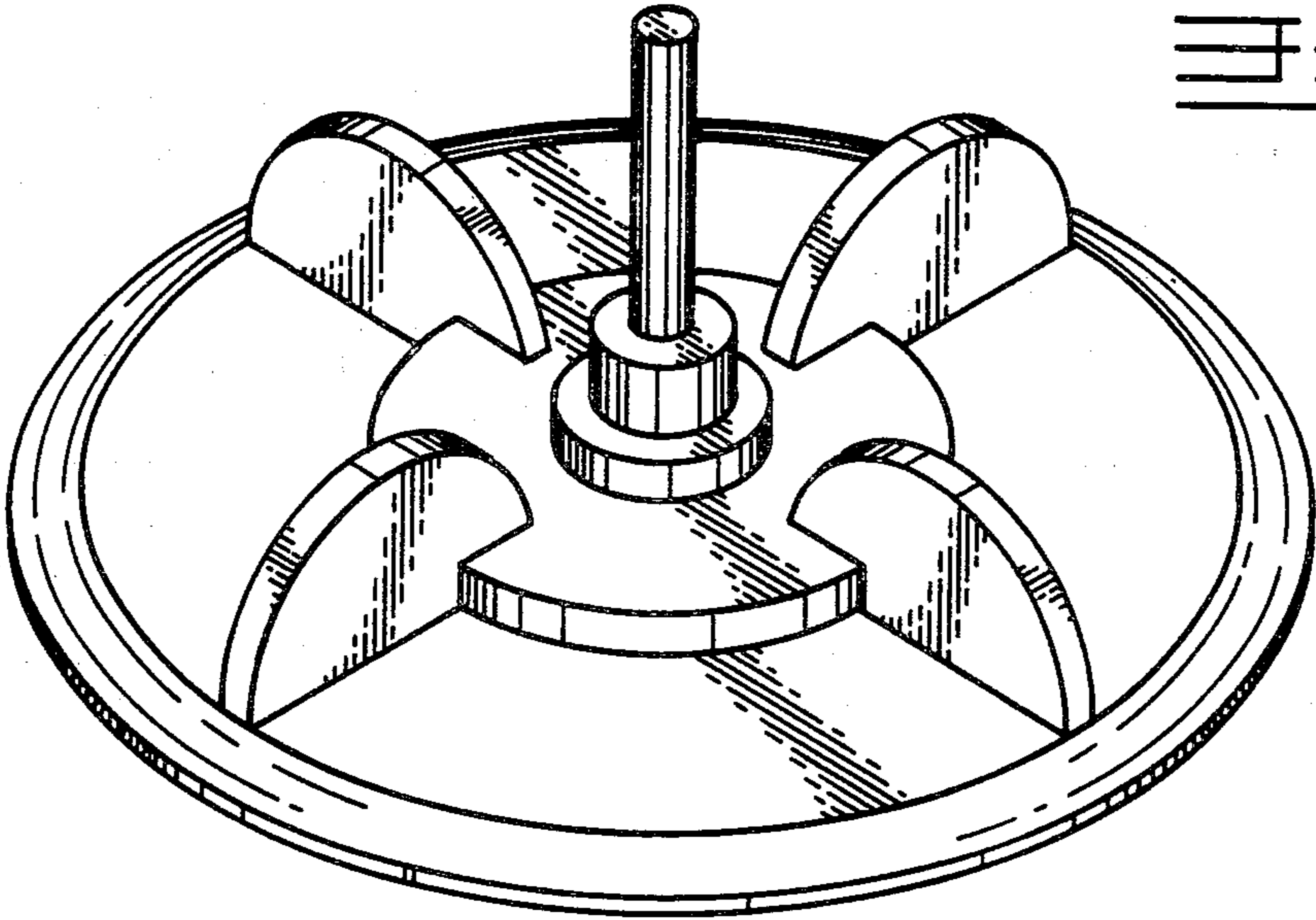


Fig. 1

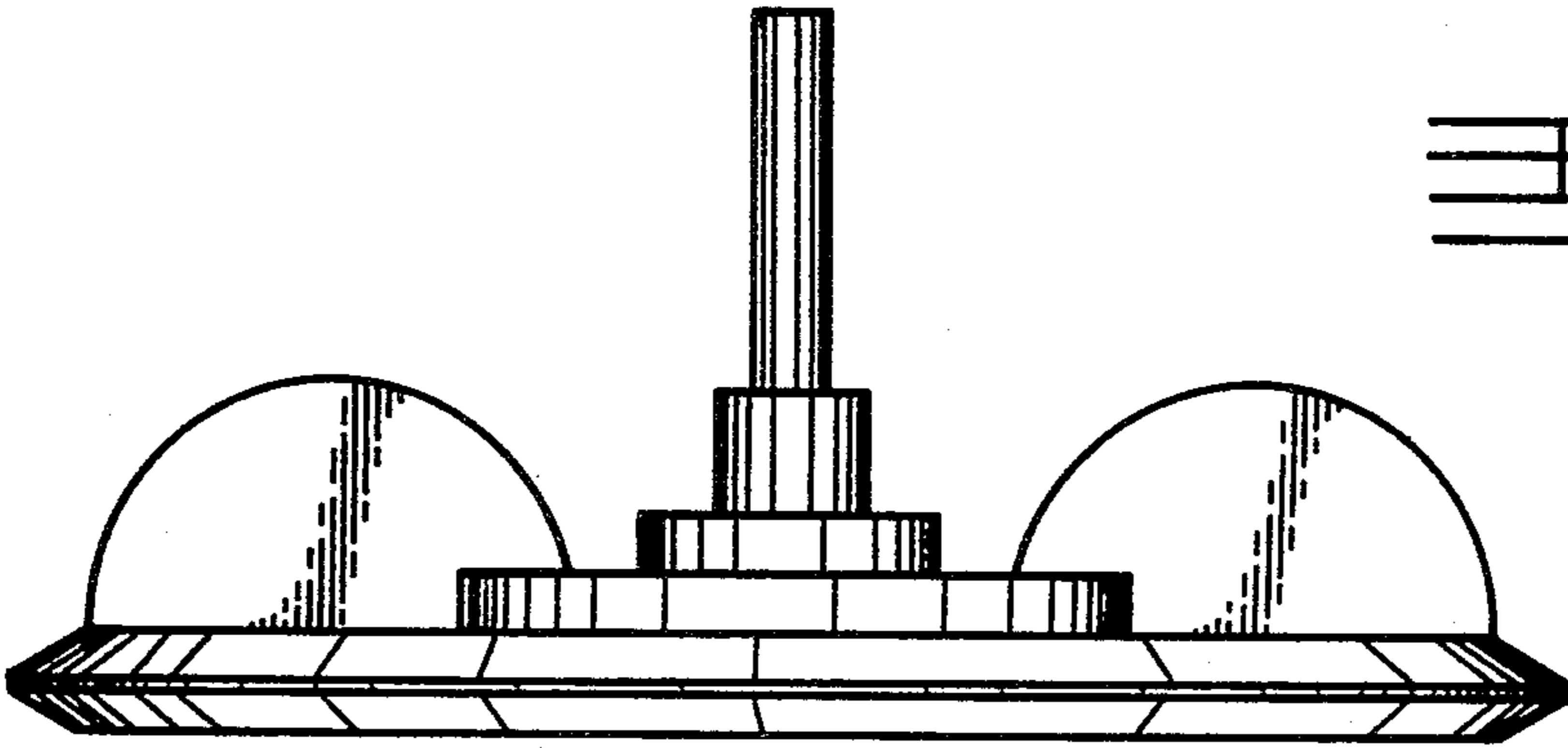


Fig. 2

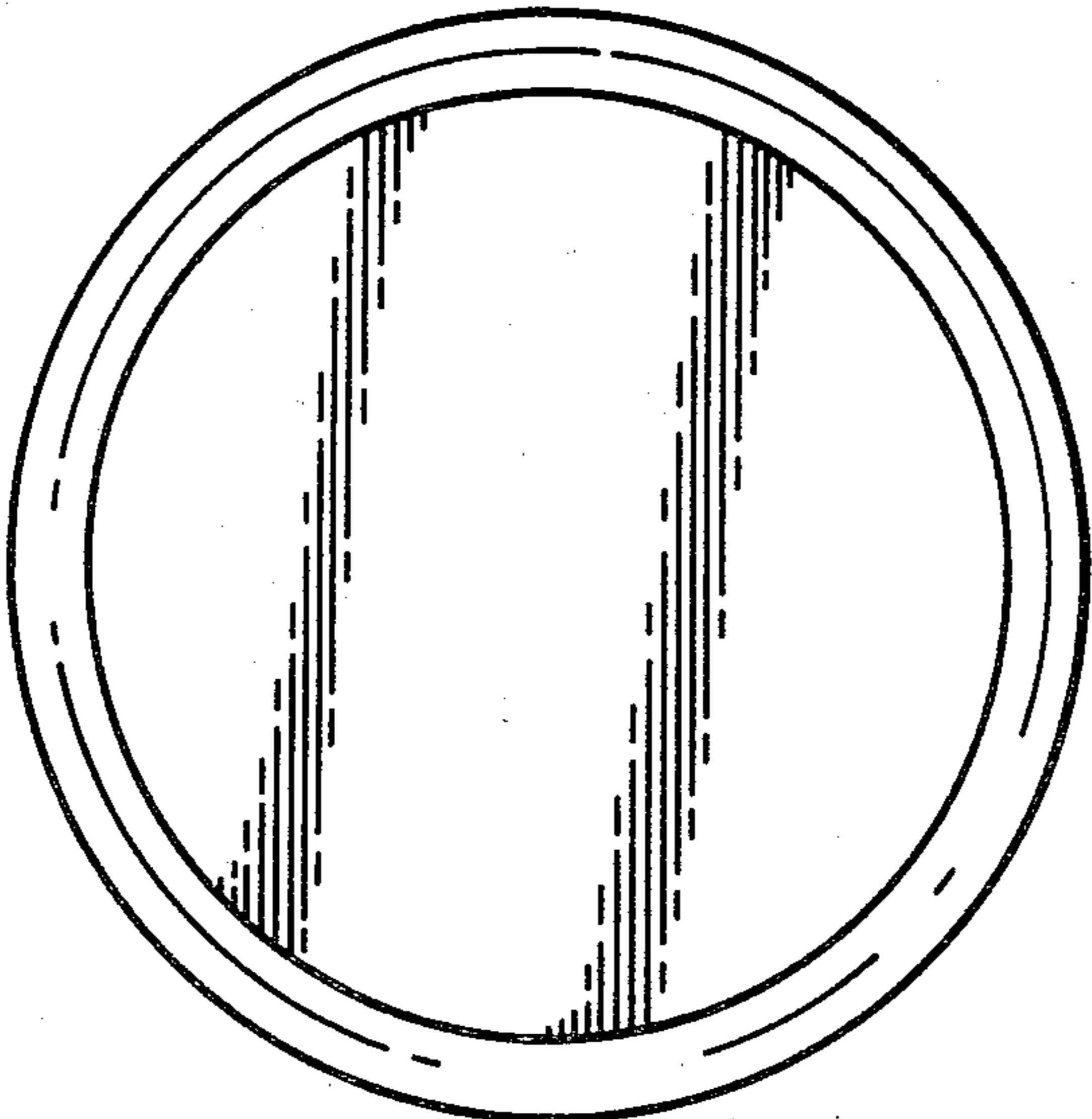


Fig. 3