

United States Patent [19]

Reisinger et al.

[11] Patent Number: **Des. 292,829**

[45] Date of Patent: **** Nov. 17, 1987**

[54] **DESIGN FOR A WINDOW COMPONENT EXTRUSION**

[75] Inventors: **Ludwig Reisinger, McPherson; Dennis Westphal, Galva, both of Kans.**

[73] Assignee: **CertainTeed Corporation, Valley Forge, Pa.**

[*] Notice: The portion of the term of this patent subsequent to Nov. 10, 2001 has been disclaimed.

[**] Term: **14 Years**

[21] Appl. No.: **664,311**

[22] Filed: **Oct. 24, 1984**

[52] U.S. Cl. **D25/124**

[58] Field of Search **D25/74-76; 49/404, 413, 419, 501, 504, DIG. 2; 52/211**

[56] **References Cited**

U.S. PATENT DOCUMENTS

D. 245,707	9/1977	Dallaire	D25/74
D. 245,708	9/1977	Dallaire	D25/74
D. 263,753	4/1982	Dallaire	D25/74
D. 263,754	4/1982	Dallaire	D25/74
D. 263,755	4/1982	Dallaire	D25/74
4,286,716	9/1981	Budich et al.	49/404

Primary Examiner—James M. Gandy
Attorney, Agent, or Firm—Paul & Paul

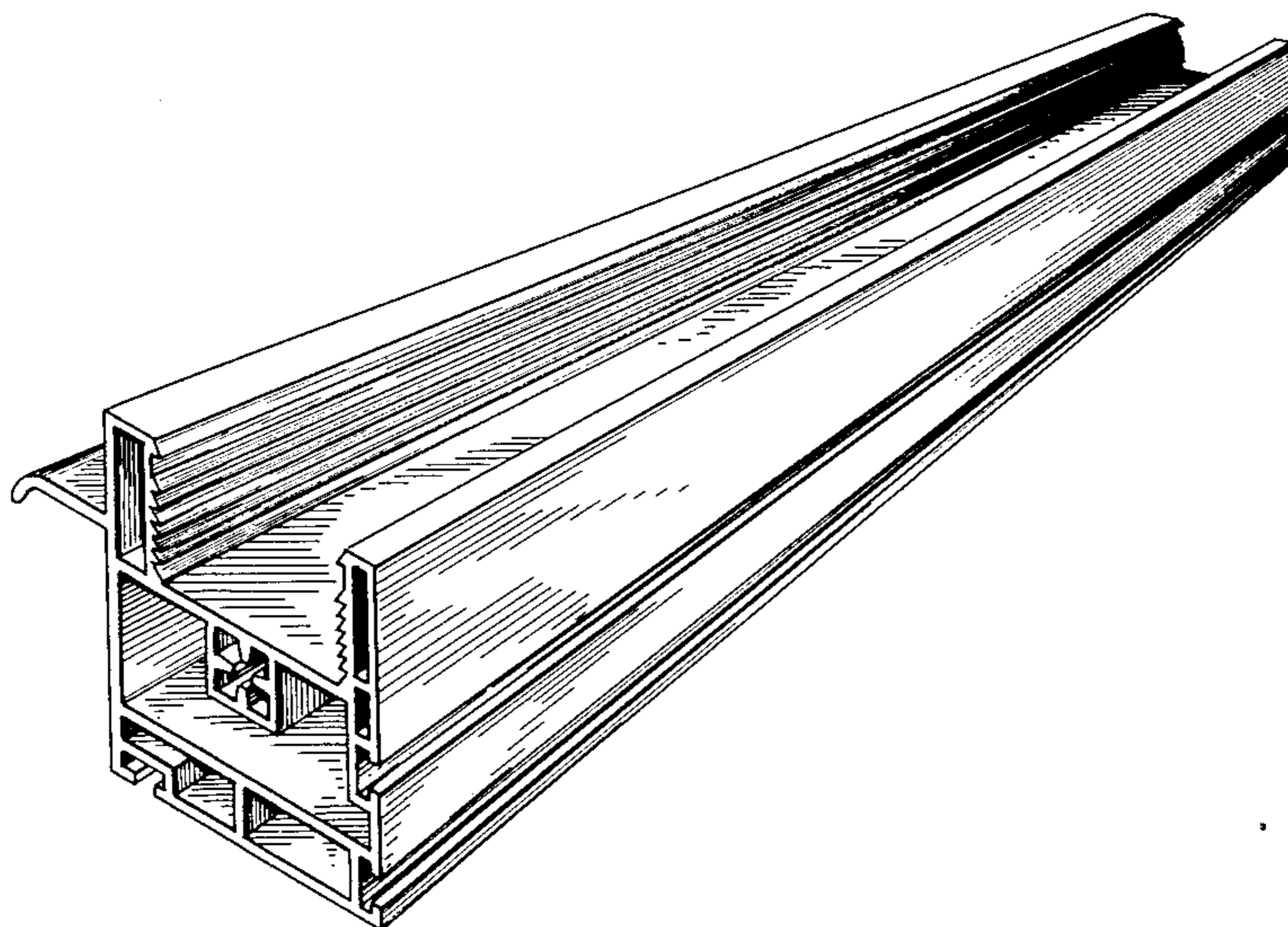
[57] **CLAIM**

The ornamental design for a window component extrusion, as shown.

DESCRIPTION

FIG. 1 is a perspective view of a window component extrusion of indeterminate length comprising the new design;

FIG. 2 is an end elevational view thereof.



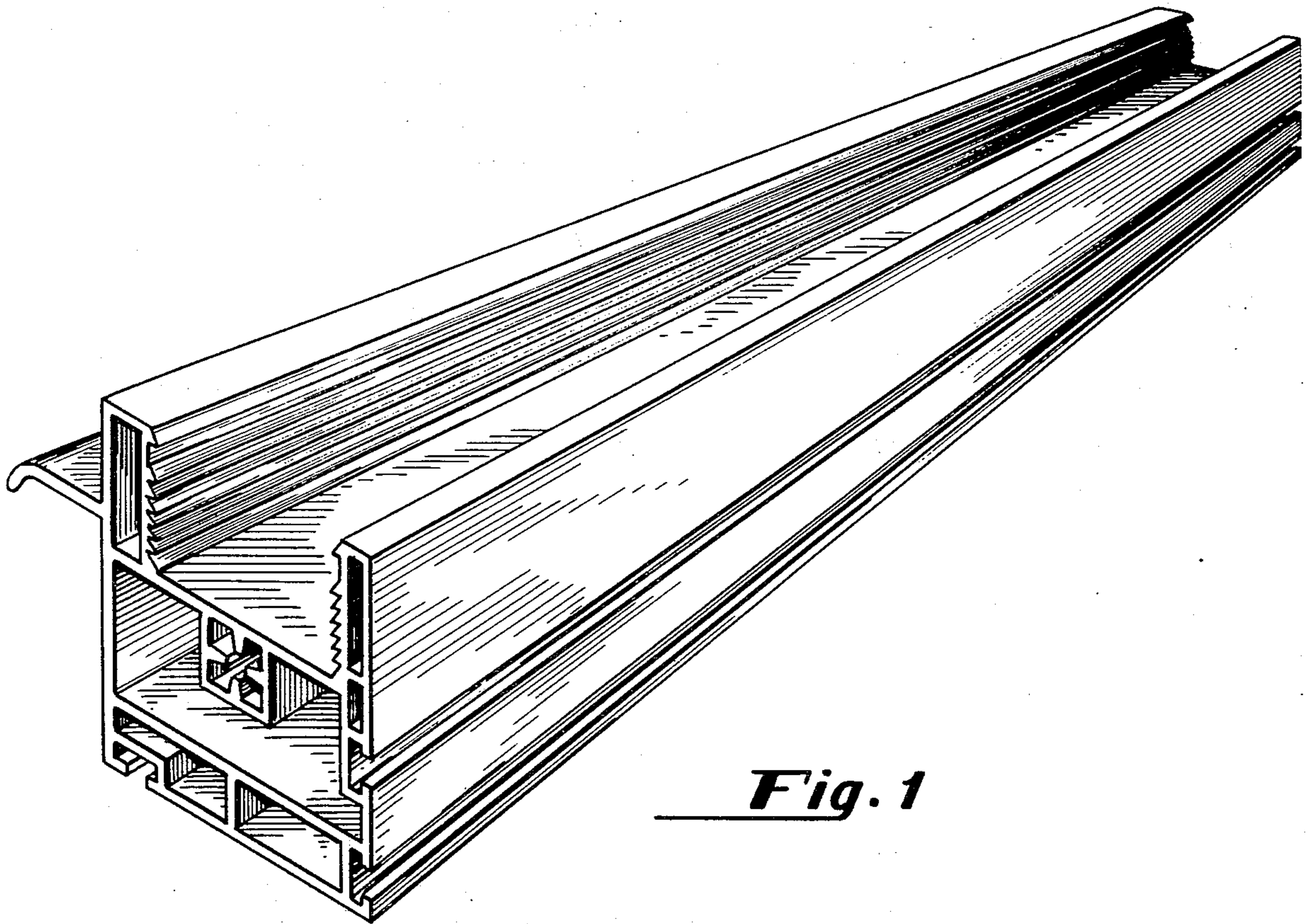


Fig. 1

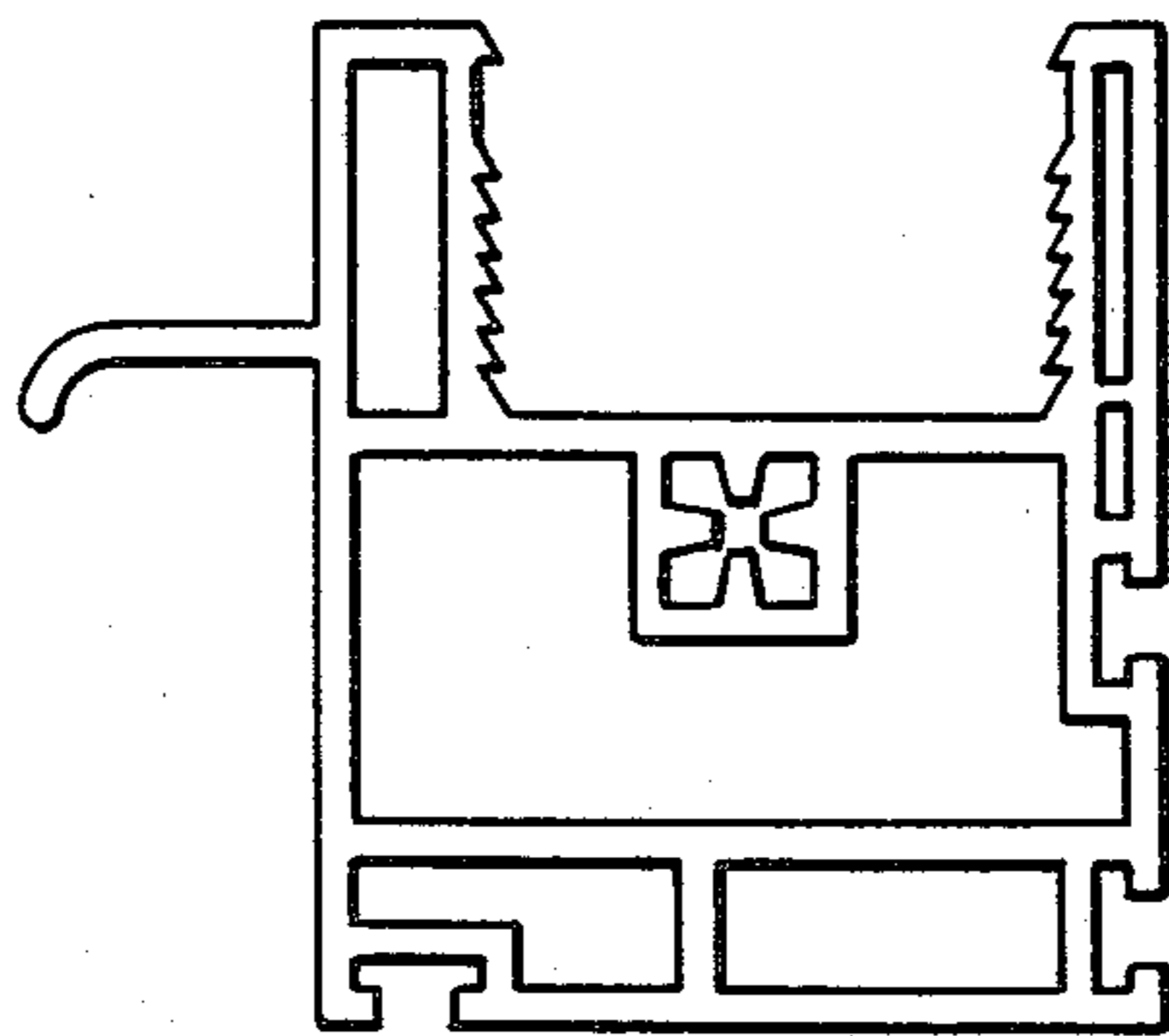


Fig. 2