

[54] **RESERVOIR FOR SOLVENT DELIVERY**

[75] **Inventor: John F. Babashak, Falls Church, Va.**

[73] **Assignee: Kontes Glass Company, Vineland, N.J.**

[**] **Term: 14 Years**

[21] **Appl. No.: 711,560**

[22] **Filed: Mar. 14, 1985**

[52] **U.S. Cl. D24/8; D9/337; D9/370; D24/29; D24/56**

[58] **Field of Search D24/29, 56, 8; 422/70, 422/102; D9/337, 370**

[56] **References Cited**

U.S. PATENT DOCUMENTS

3,481,712 12/1969 Bernstein et al. 422/102

3,754,872 8/1973 Zauft 422/102
4,094,641 6/1978 Friswell 422/102 X
4,364,903 12/1982 Bittings 422/102 X
4,367,198 1/1983 Scordato et al. 422/102

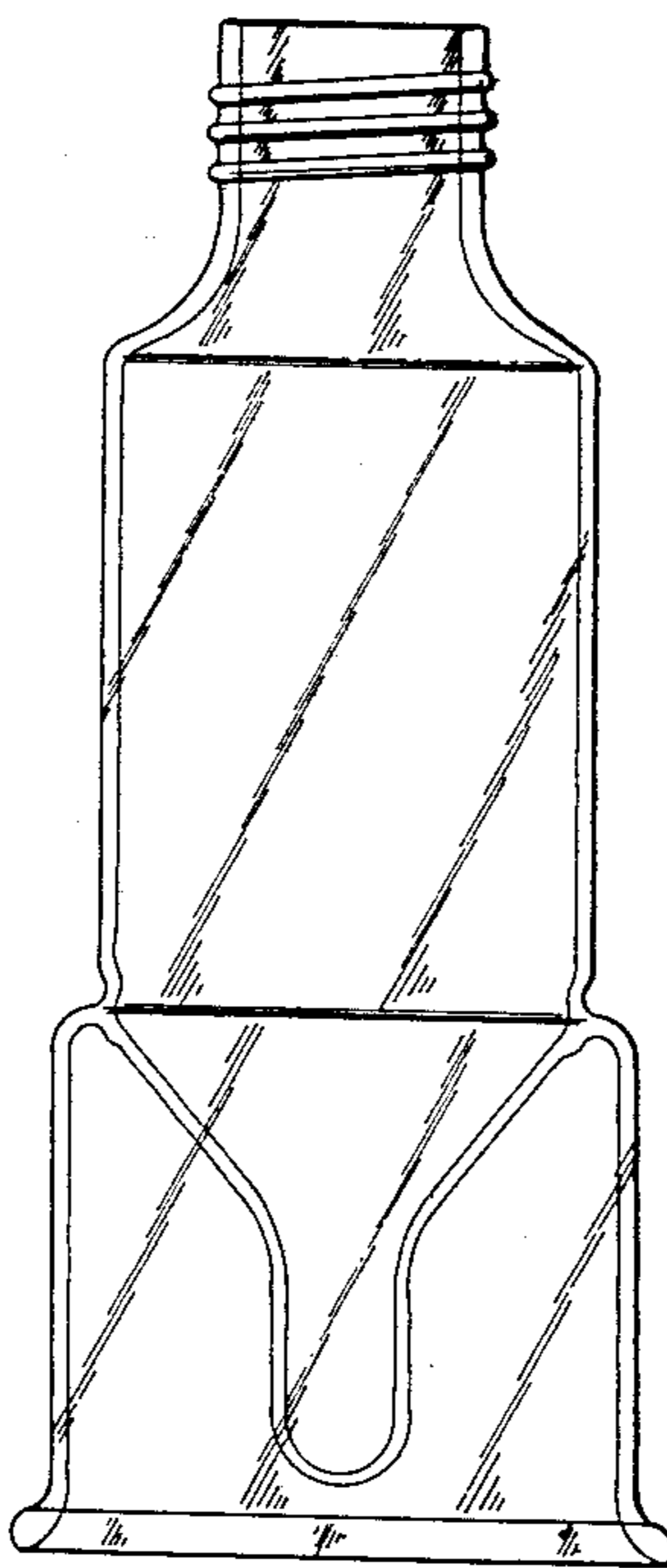
Primary Examiner—A. Hugo Word
Assistant Examiner—Stella M. Reid
Attorney, Agent, or Firm—James & Franklin

[57] **CLAIM**

The ornamental design for a reservoir for solvent delivery, substantially as shown and described.

DESCRIPTION

FIG. 1 is a side elevational view of a reservoir for solvent delivery showing my new design; FIG. 2 is a top plan view thereof; FIG. 3 is a bottom plan view thereof; and FIG. 4 is a longitudinal cross-sectional view of FIG. 1.



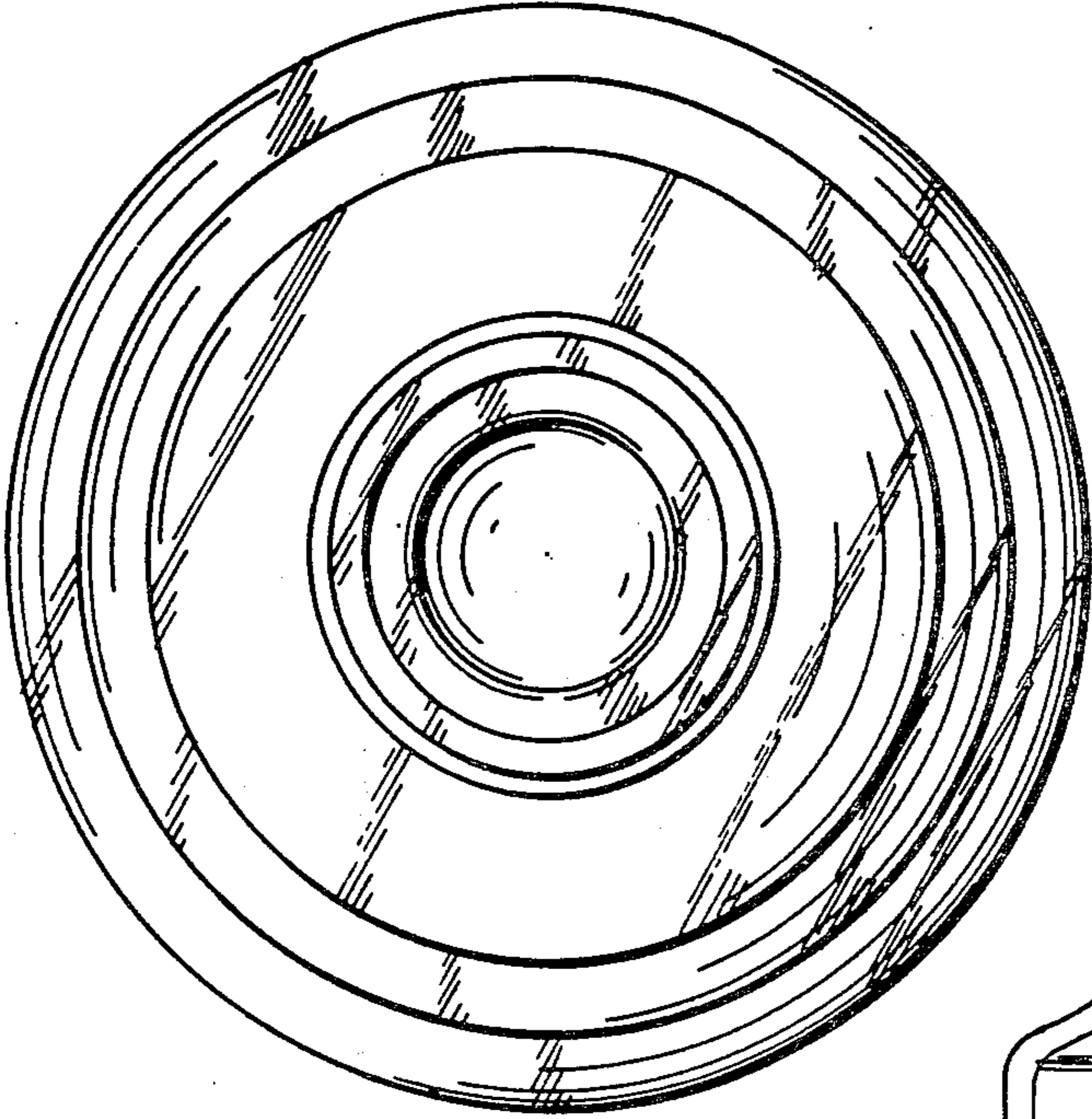
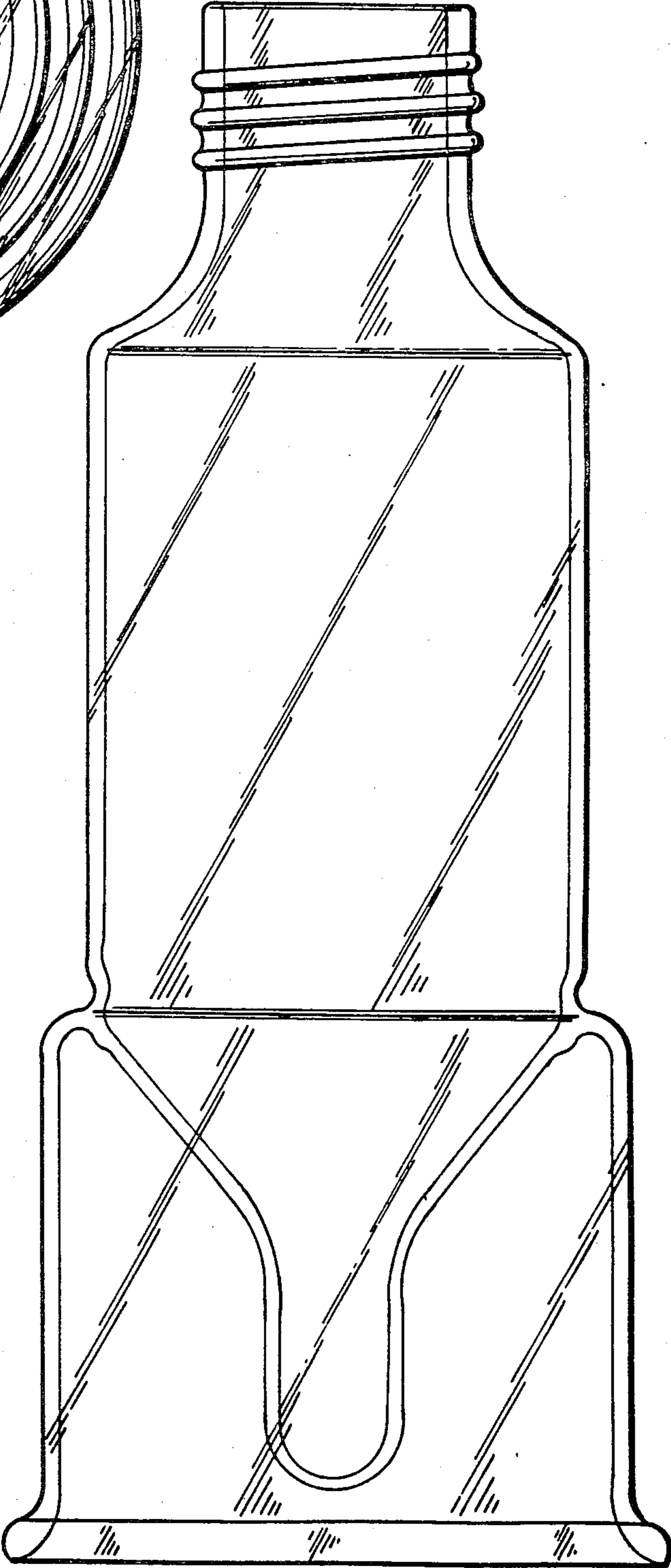


FIG. 2

FIG. 1



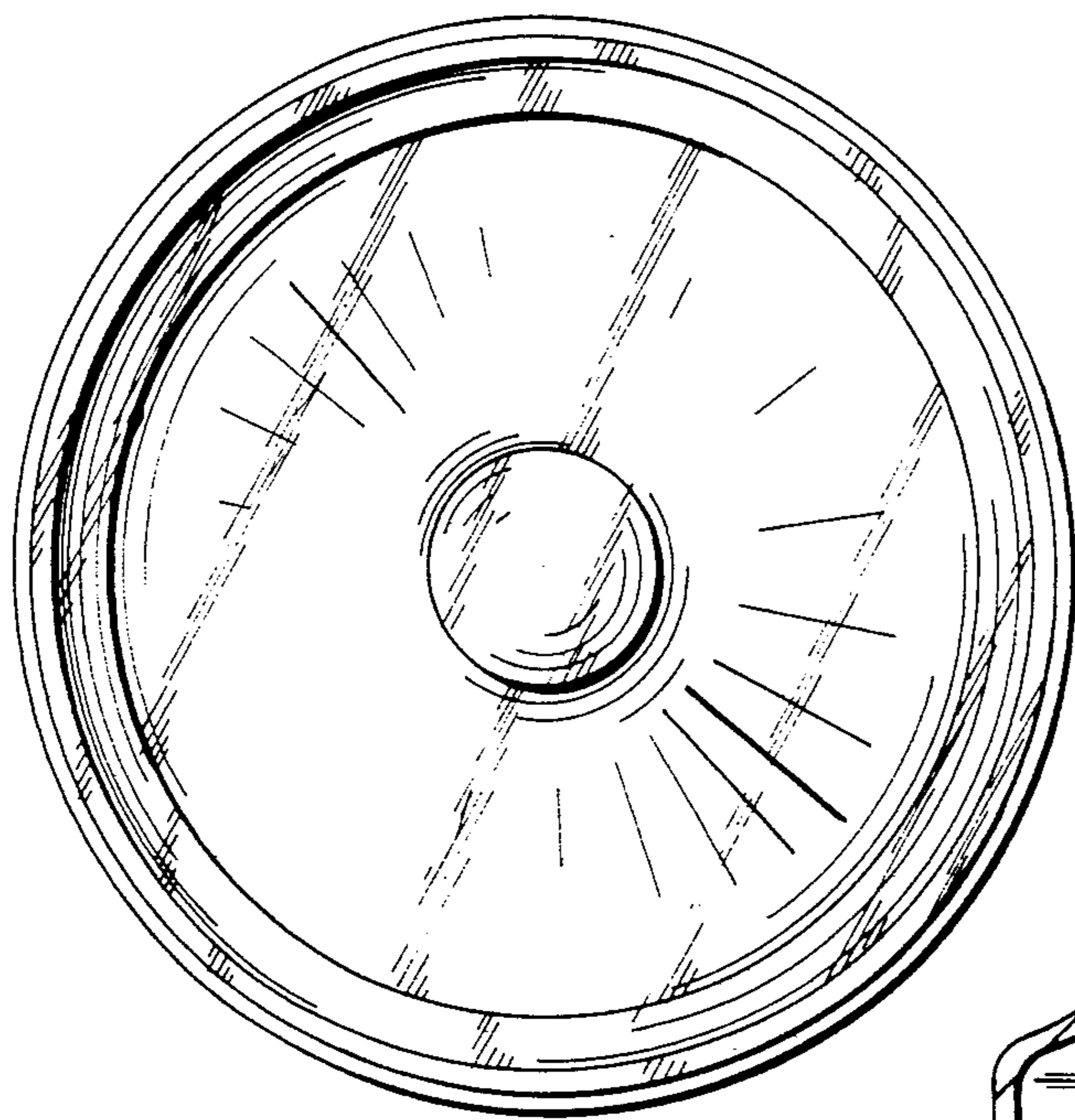


FIG. 3

FIG. 4

