

[54] **GATE VALVE**

[76] **Inventor: Willard E. Kemp, 14702 Broadgreen, Houston, Tex. 77079**

[\*\*] **Term: Years**

[21] **Appl. No.: 528,747**

[22] **Filed: Sep. 2, 1983**

[52] **U.S. Cl. .... D23/244**

[58] **Field of Search .... D23/19-22, D23/38, 39; 251/326-329**

[56] **References Cited**

**U.S. PATENT DOCUMENTS**

D. 179,791	2/1957	Williams	.....	D23/38
D. 204,655	5/1966	Lowrey et al.	.....	D23/38
D. 238,947	2/1976	Chilek et al.	.....	D23/19
3,063,079	11/1962	Bergman et al.	.....	251/326 X
3,215,157	11/1965	Anderson et al.	.....	251/327 X
3,533,598	10/1970	Tillman, III	.....	251/327
3,557,822	1/1971	Chronister	.....	251/328 X
3,889,925	6/1975	Brooks	.....	251/327

3,929,316	12/1975	Guthrie	.....	251/328 X
4,043,535	8/1977	Freeman et al.	.....	251/329
4,222,406	9/1980	Schaefer	.....	251/327 X
4,340,204	7/1982	Herd	.....	251/327

**OTHER PUBLICATIONS**

Oil Field Composite catalog, 1980/1980, pp. 7335, 7367-7369 (WKM catalog 80).

*Primary Examiner*—James R. Largen  
*Attorney, Agent, or Firm*—Vaden, Eickenroht, Thompson & Boulware

[57] **CLAIM**

The ornamental design for a gate valve, substantially as shown and described.

**DESCRIPTION**

FIG. 1 is a perspective view taken from the top, front and right side of a gate valve showing my new design; FIG. 2 is a perspective view taken from the top, rear and right side thereof; FIG. 3 is a left side elevational view thereof; and FIG. 4 is a bottom plan view thereof.

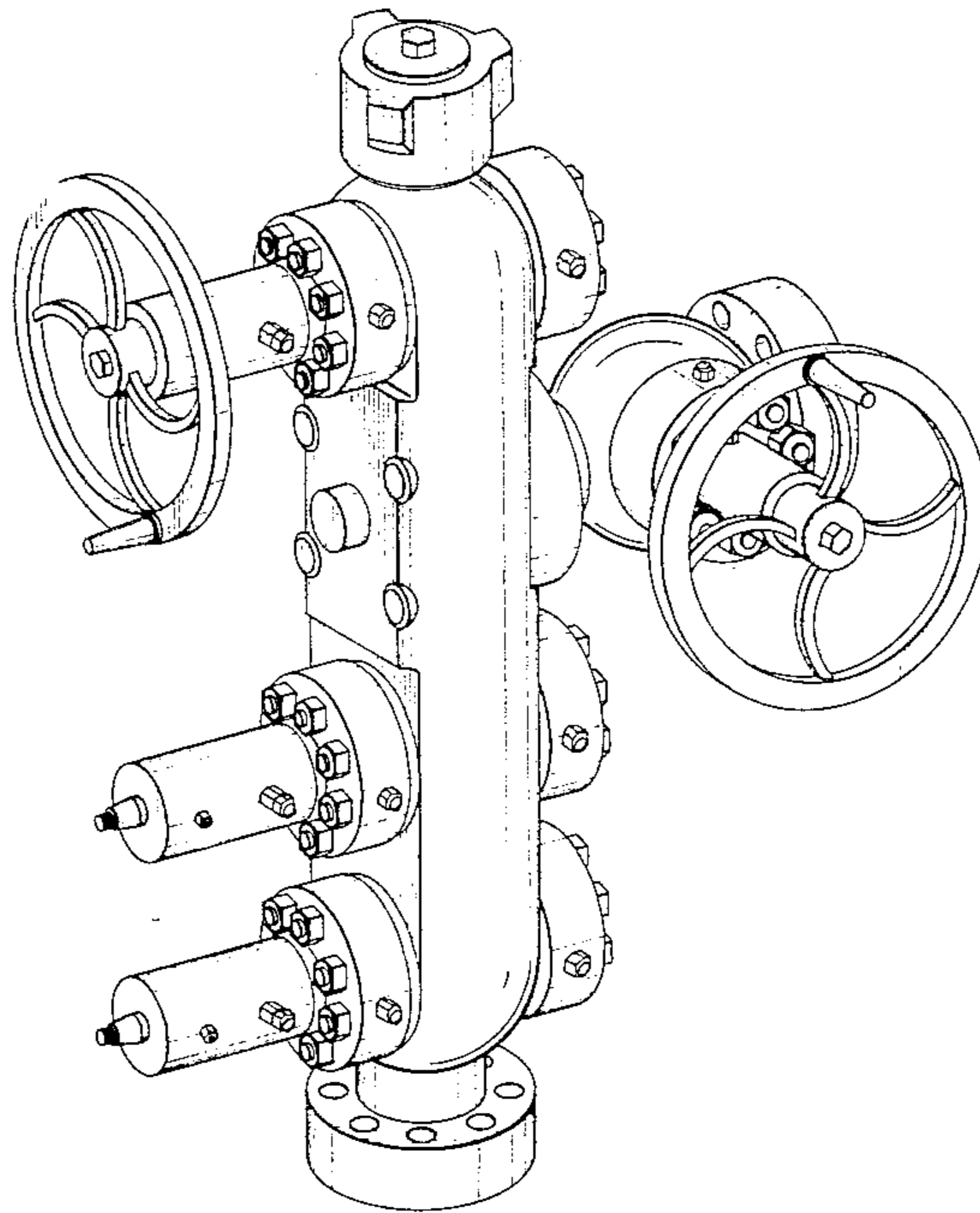


FIG. 1

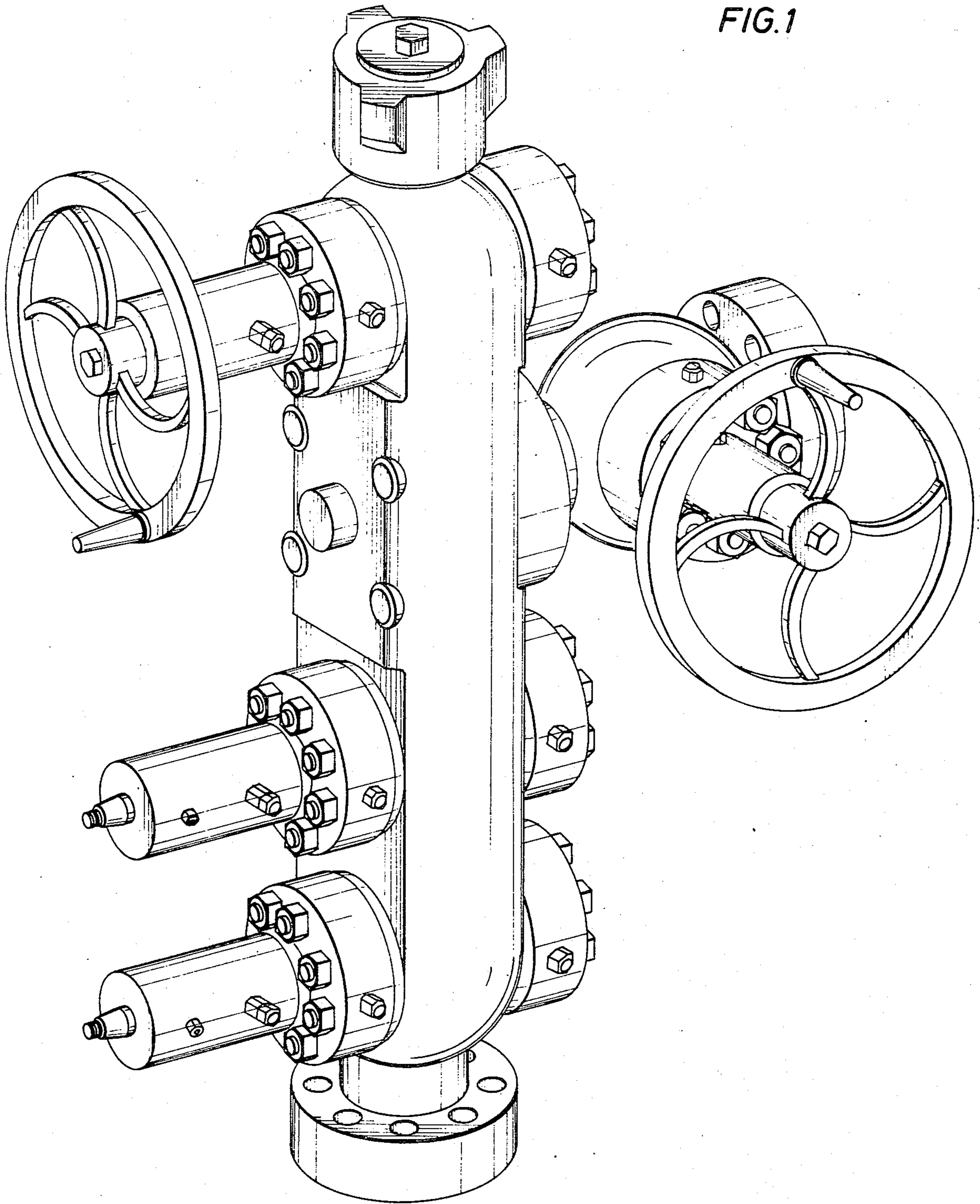


FIG. 2

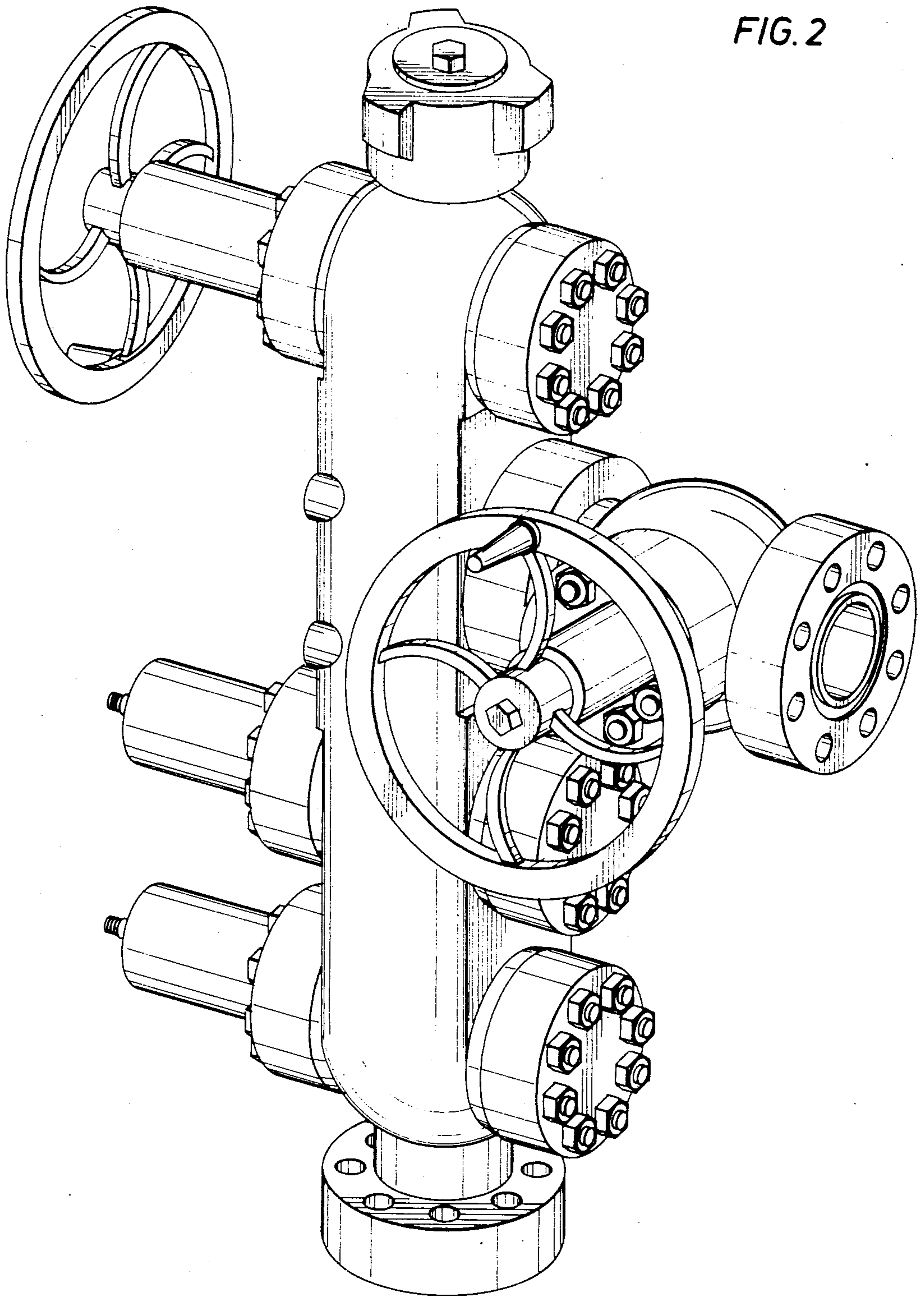


FIG. 3

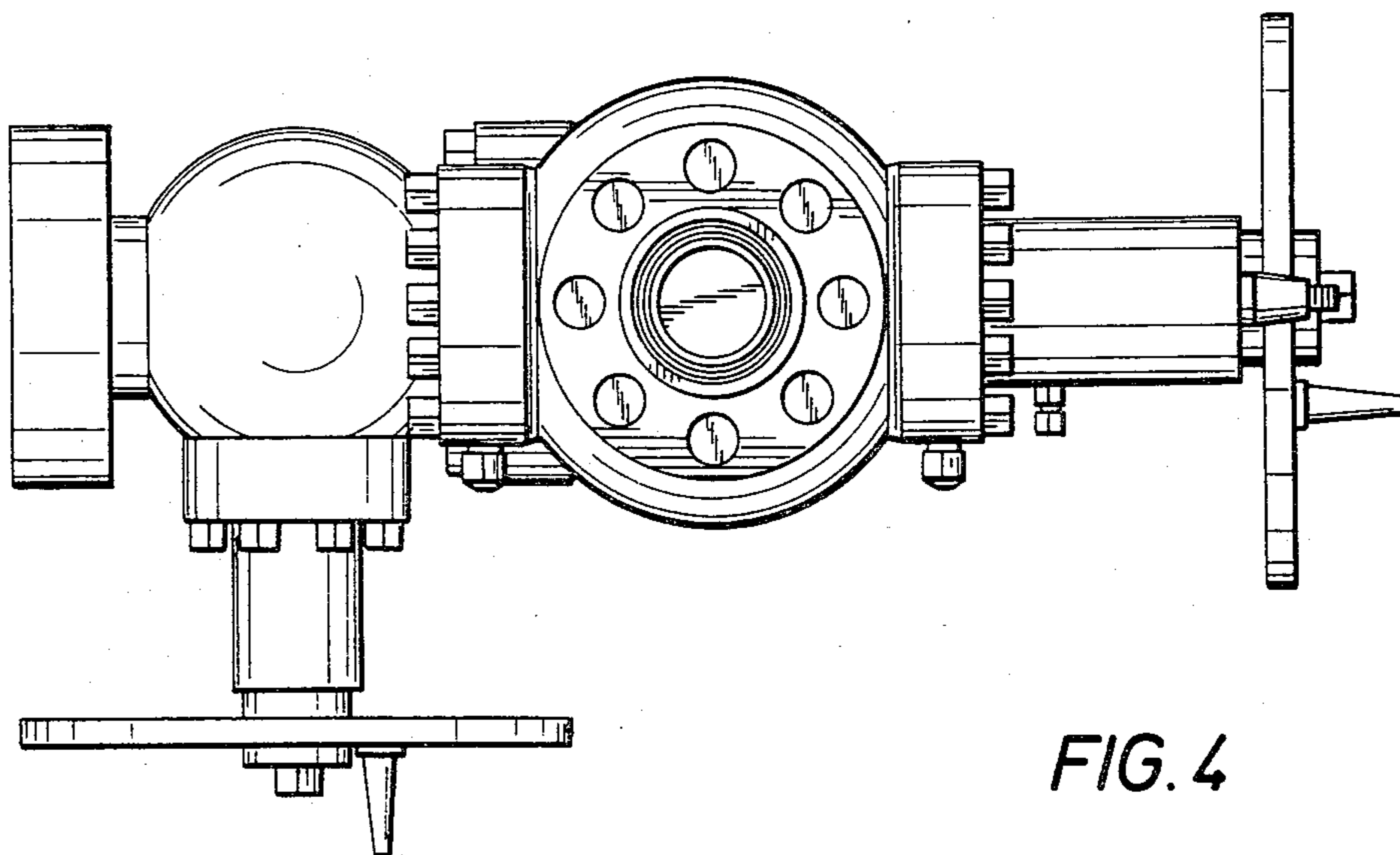
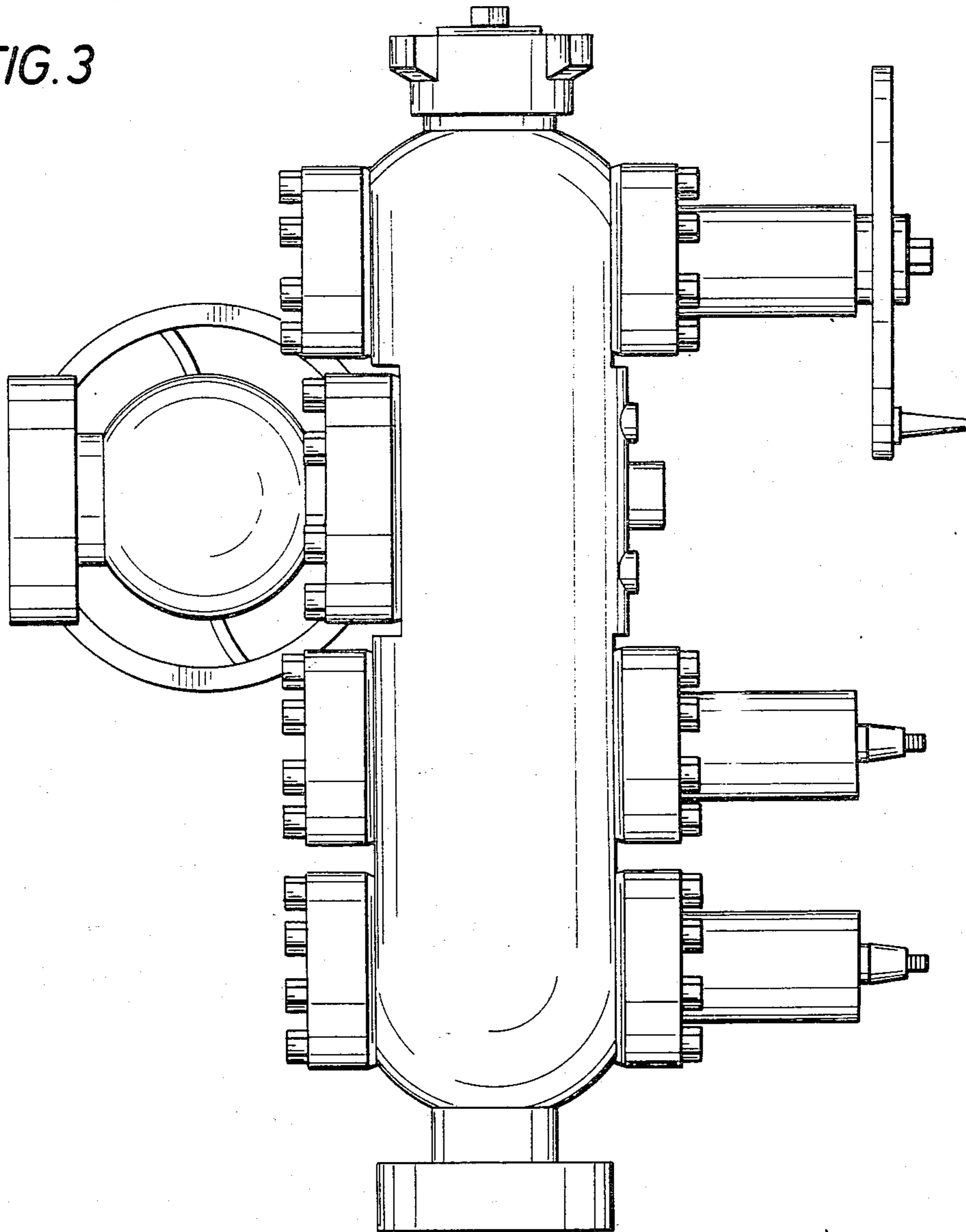


FIG. 4