

[54] WIRE PUZZLE

[76] Inventor: Walter G. Koosman, 10222 Revere La., Maple Grove, Minn. 55369

[\*\*] Term: 14 Years

[21] Appl. No.: 705,379

[22] Filed: Feb. 25, 1985

[52] U.S. Cl. .... D21/106

[58] Field of Search ..... D21/104, 105, 106, 107, D21/59; D8/323, 370, 395; 273/153 R, 158, 157

[56] References Cited

U.S. PATENT DOCUMENTS

D. 246,922	1/1978	Heign .....	D21/106
D. 272,455	1/1984	Eakin .....	D21/106
D. 274,920	7/1984	Pendergast .....	D21/104
1,707,813	4/1929	Nichols .....	273/158

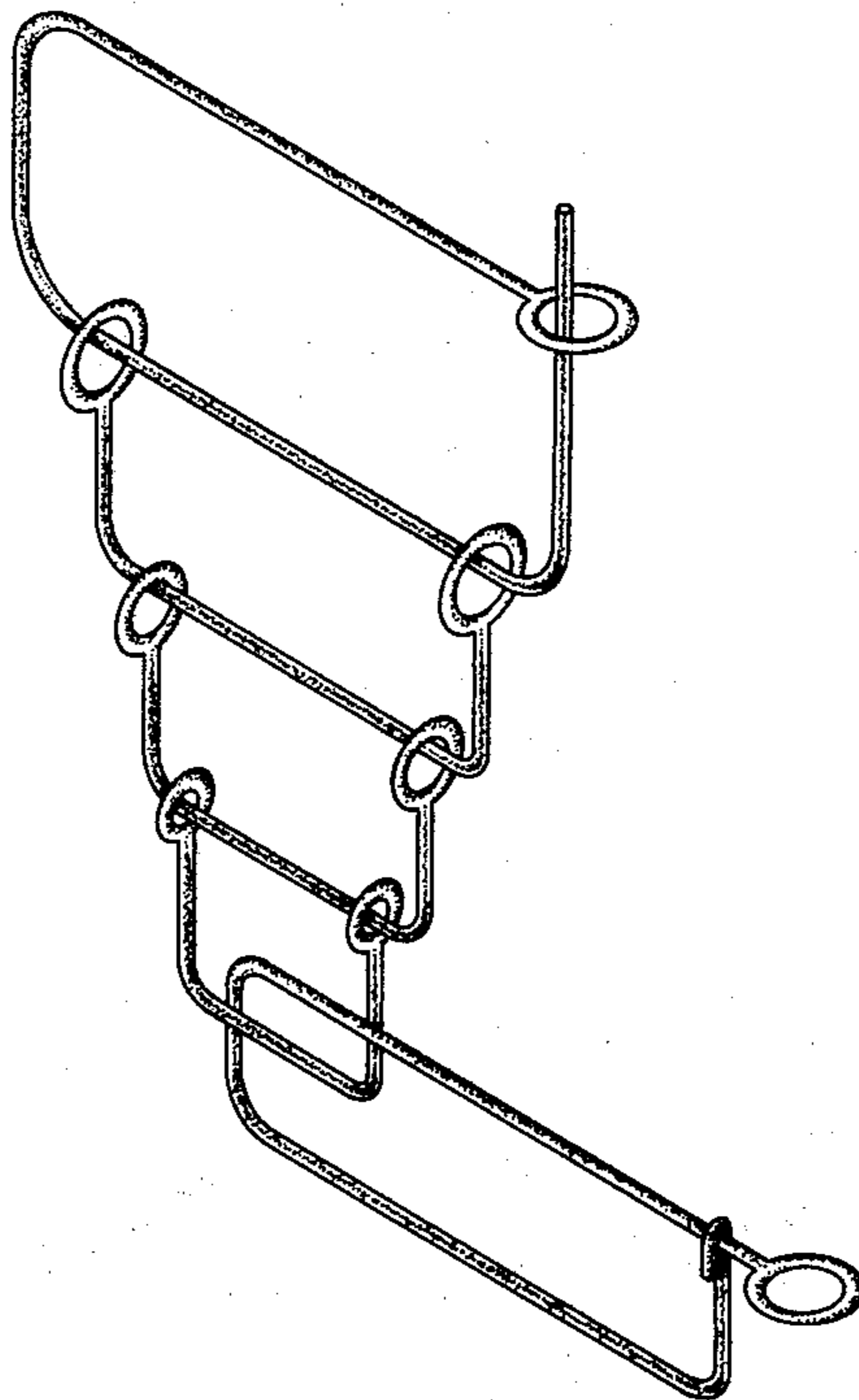
Primary Examiner—Charles A. Rademaker  
Attorney, Agent, or Firm—Don E. Ferrell

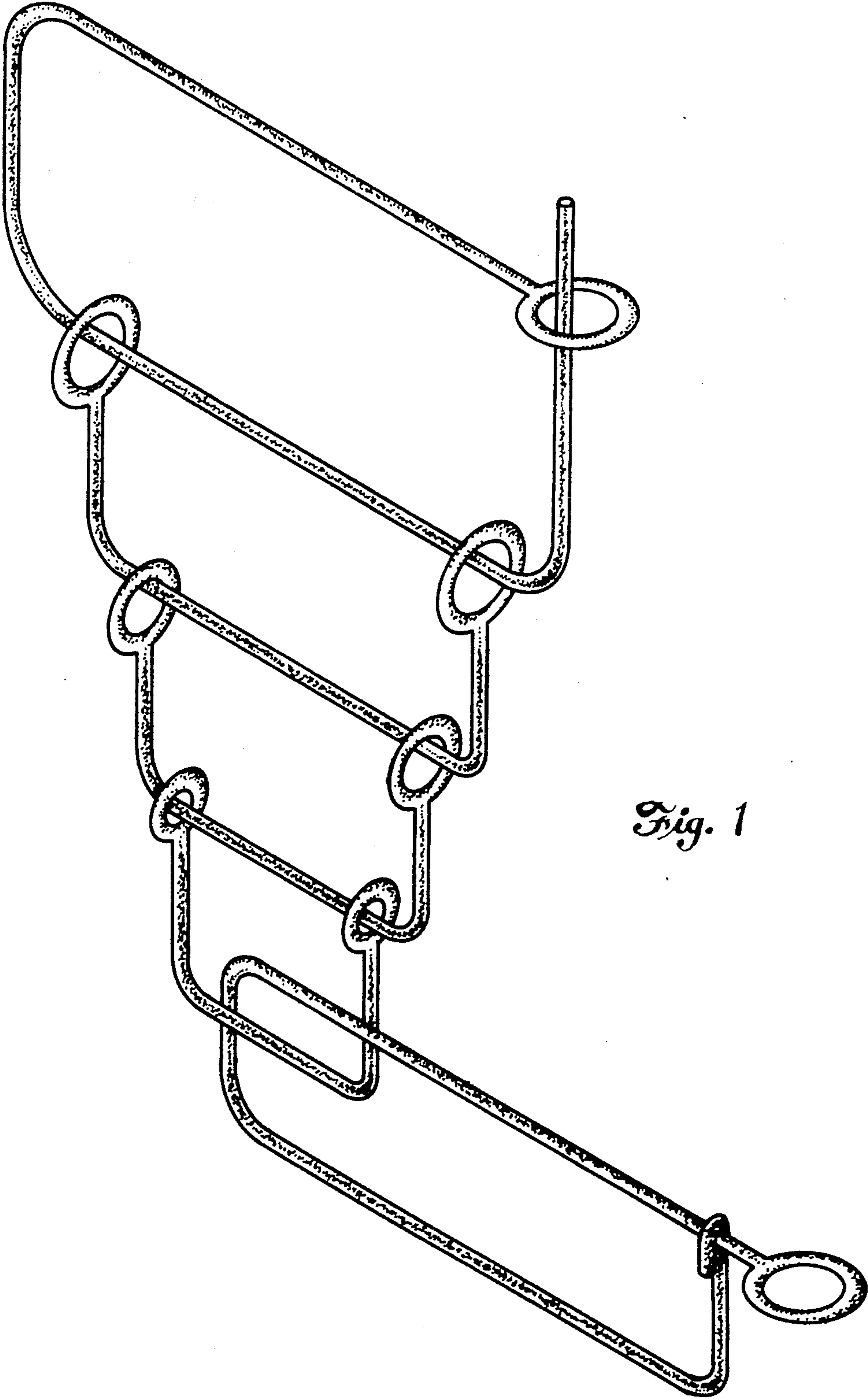
[57] CLAIM

The ornamental design for a wire puzzle, as shown and described.

DESCRIPTION

The FIGURE is a perspective view of a wire puzzle showing my new design, the side opposite being substantially a mirror image.





*Fig. 1*