

[54] COPYHOLDER

[76] Inventor: Andres H. Visnapuu, 2965 Scarborough, Cleveland Heights, Ohio 44118

[\*\*] Term: 14 Years

[21] Appl. No.: 606,693

[22] Filed: May 3, 1984

[52] U.S. Cl. .... D19/91; D14/114

[58] Field of Search ..... D19/75, 88, 90-91; 248/442.2, 444.1, 447, 447.2; D6/300, 301; D14/114, 100; 312/233

[56] References Cited

U.S. PATENT DOCUMENTS

- D. 267,174 12/1982 Fox et al. .... D6/301
- D. 270,357 8/1983 Dillon ..... D19/91
- D. 273,355 4/1984 Grind ..... D6/301
- D. 275,018 8/1984 Kessler et al. .... D19/90

2,201,251 5/1940 Patton ..... D6/301

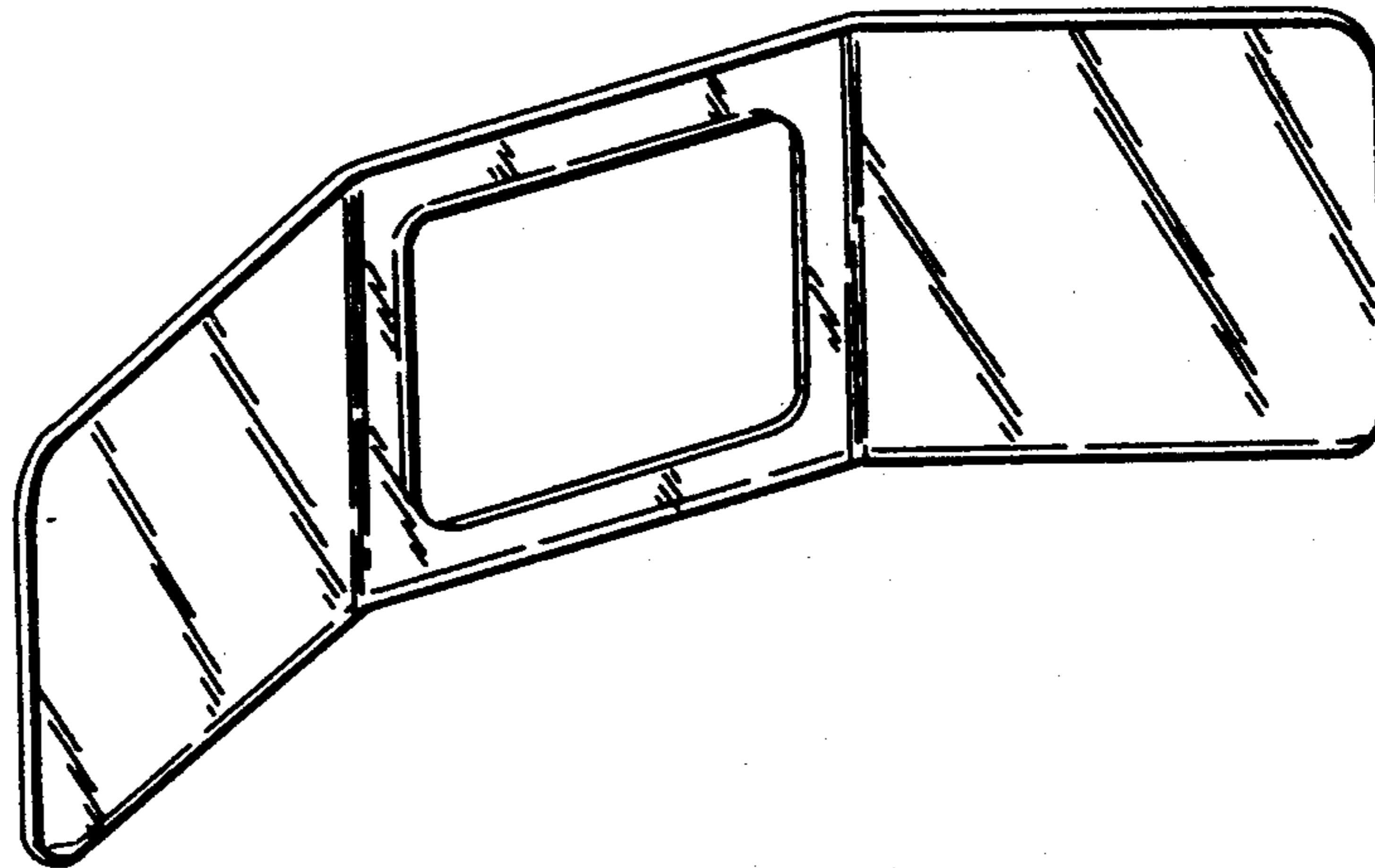
Primary Examiner—George P. Word  
Attorney, Agent, or Firm—Renner, Otto, Boisselle & Lyon

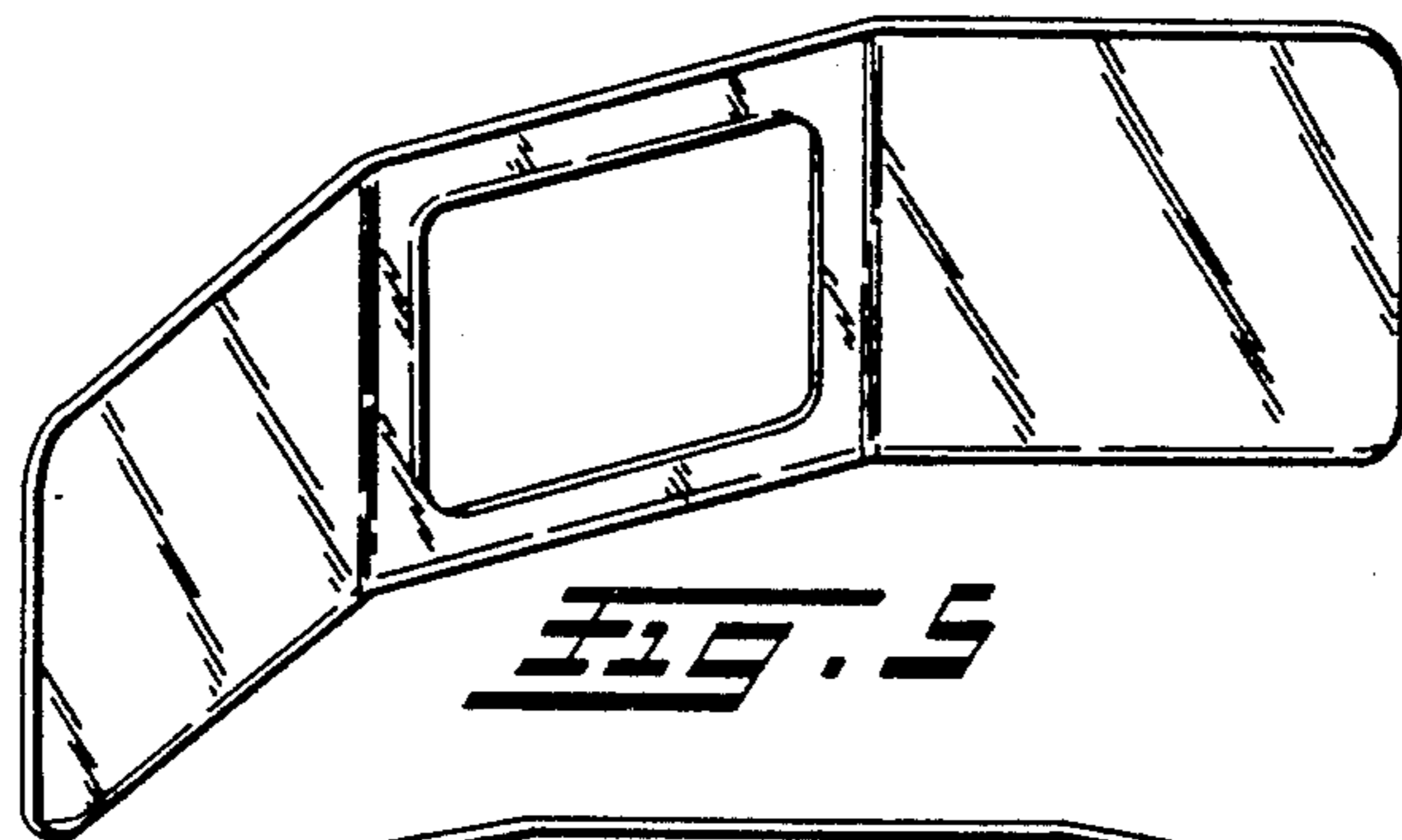
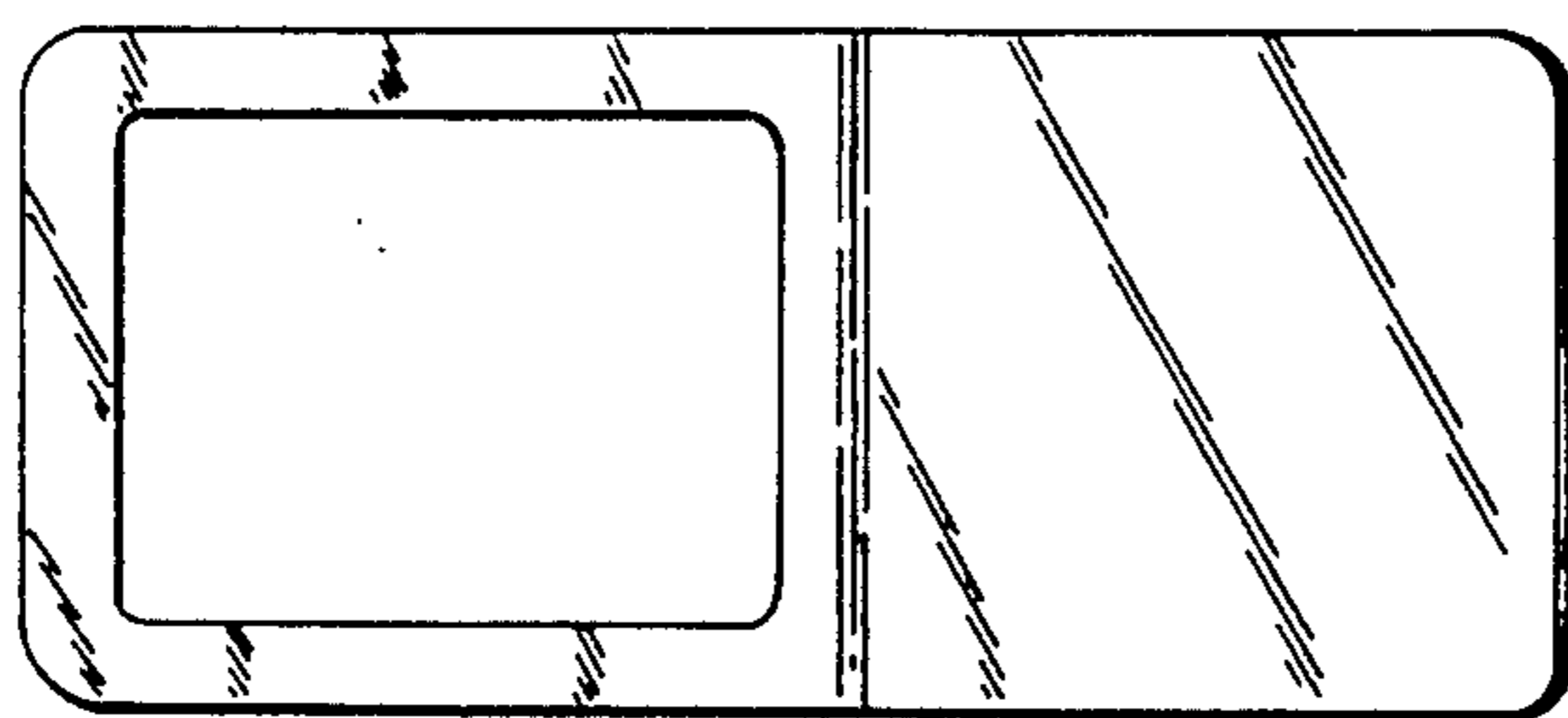
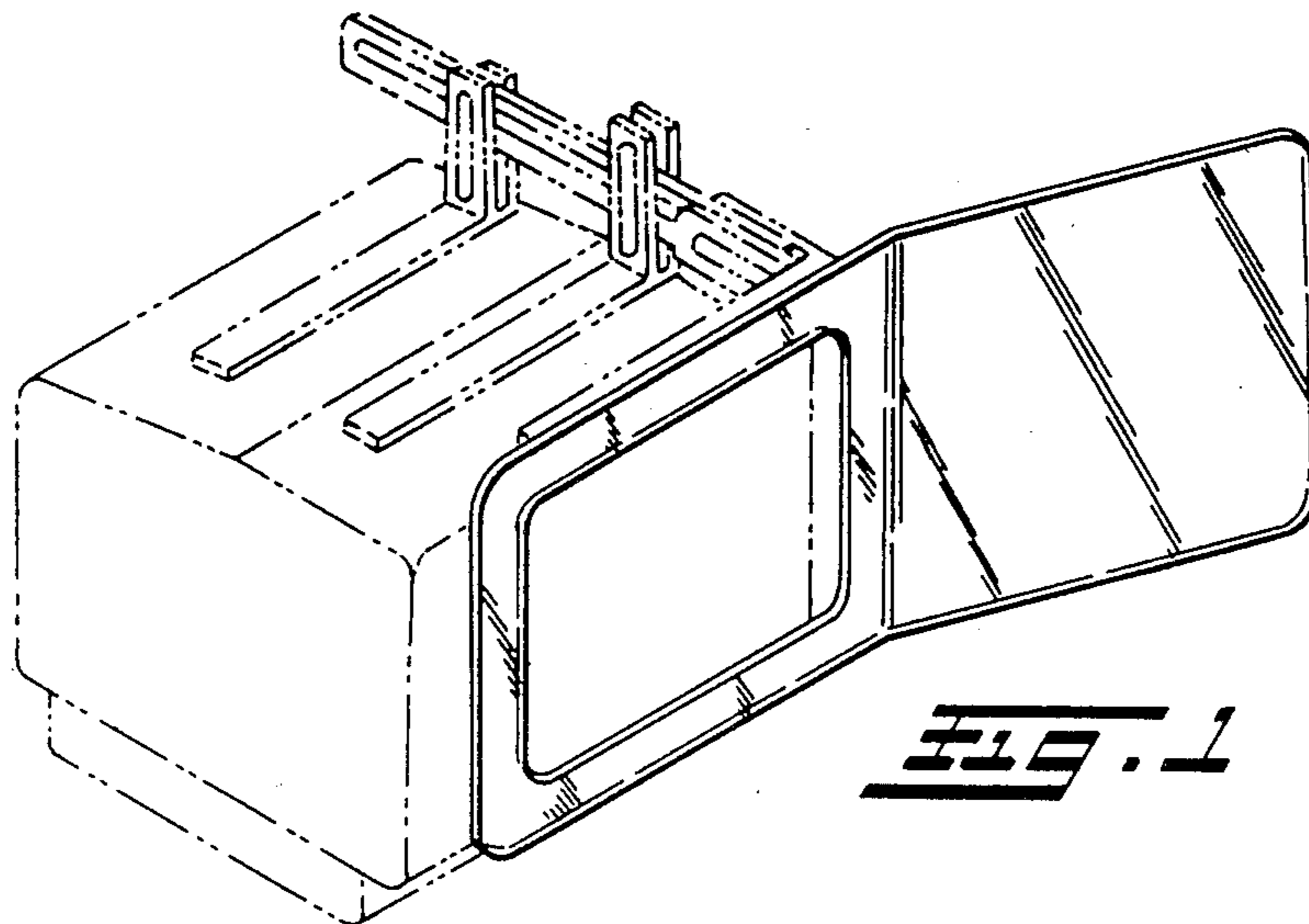
[57] CLAIM

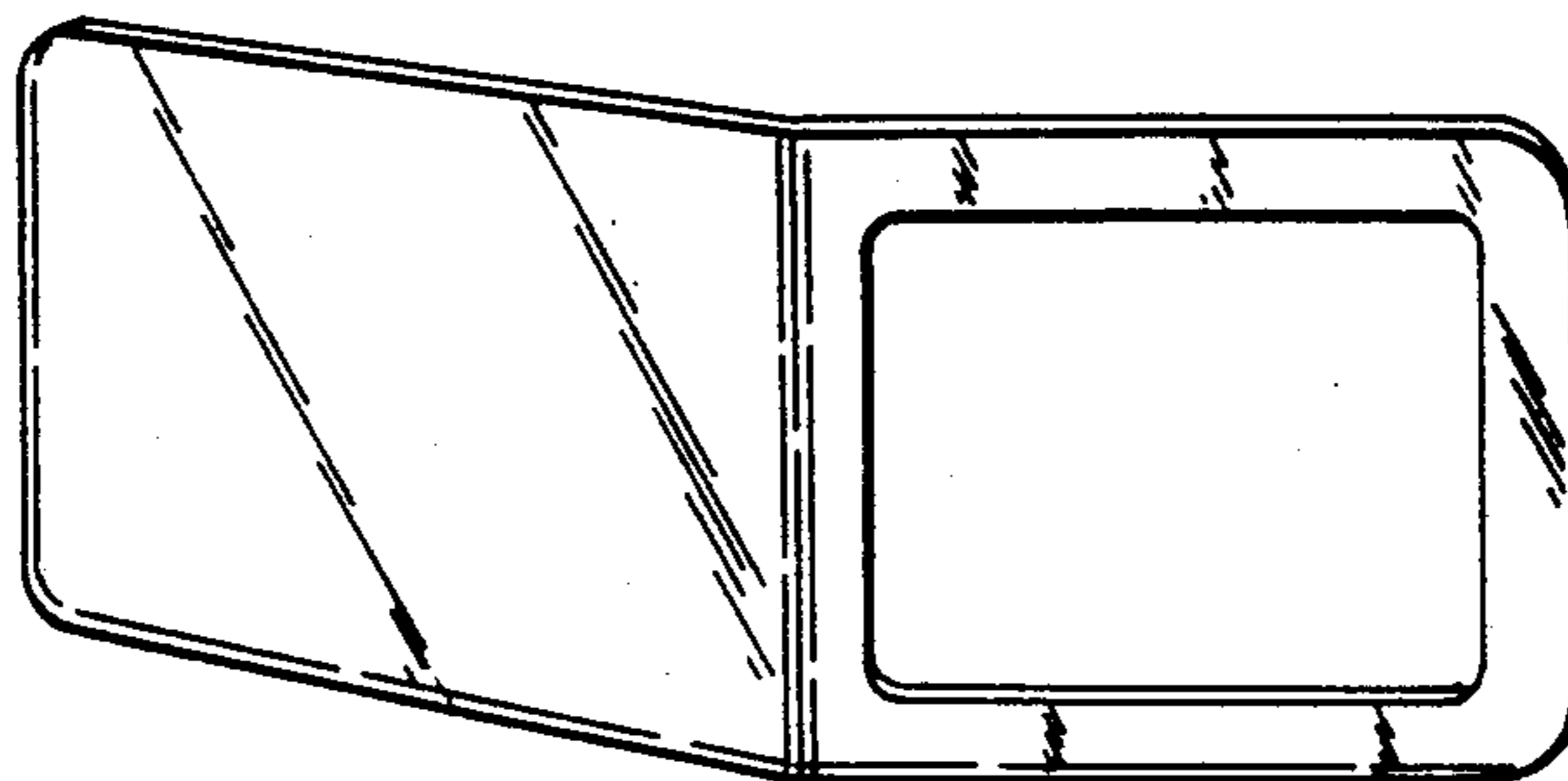
The ornamental design for a copyholder, substantially as shown and described.

DESCRIPTION

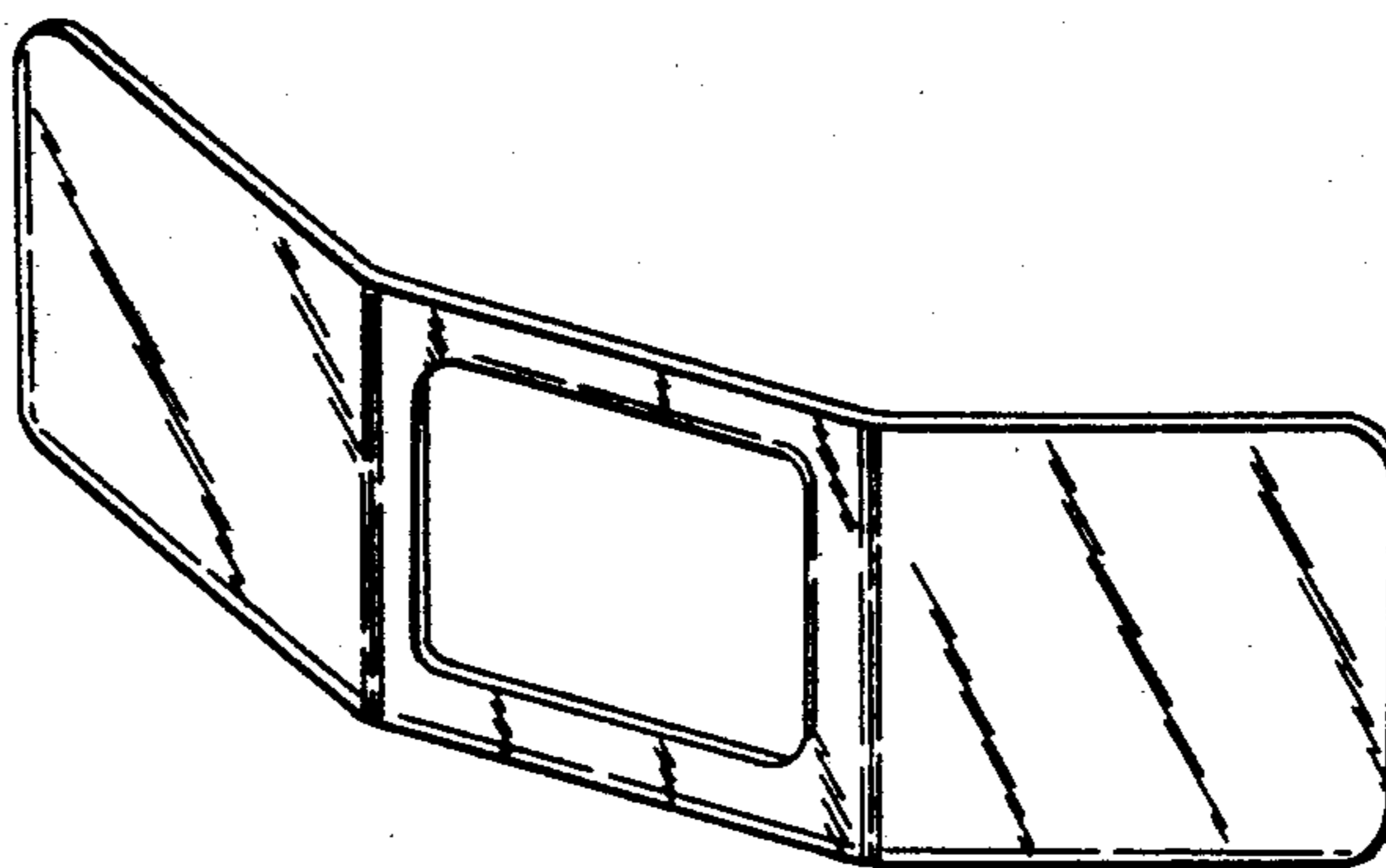
FIG. 1 is a front perspective view of a copyholder showing my new design, the environmental structure shown in dotted lines being for illustrative purposes only and not a part of the claimed design; FIG. 2 is a front elevational view thereof; FIG. 3 is a top plan view thereof; FIG. 4 is a rear perspective view thereof; FIG. 5 is a front perspective view of an alternate embodiment of the copyholder; FIG. 6 is a top plan view thereof; and FIG. 7 is a rear perspective view thereof.







**FIG. 4**



**FIG. 5**