

[54] PAINT CAN SHAKER

[75] Inventor: Patrick W. Powell, Castle Rock, Colo.

[73] Assignee: Broncorp Manufacturing Company, Inc., Lakewood, Colo.

[**] Term: 14 Years

[21] Appl. No.: 733,508

[22] Filed: May 10, 1985

[52] U.S. Cl. D15/147; D15/122

[58] Field of Search D15/122, 147, 199; 366/210, 211, 605

[56] References Cited

U.S. PATENT DOCUMENTS

- D. 263,307 3/1982 Collins D15/147
- D. 274,530 7/1984 Uyeda D15/122

- 3,301,534 1/1967 Orser 366/210
- 3,415,495 12/1968 Grubelic 366/210
- 4,422,768 12/1983 Solomon 366/605
- 4,619,532 10/1986 Schmidt, III 366/605

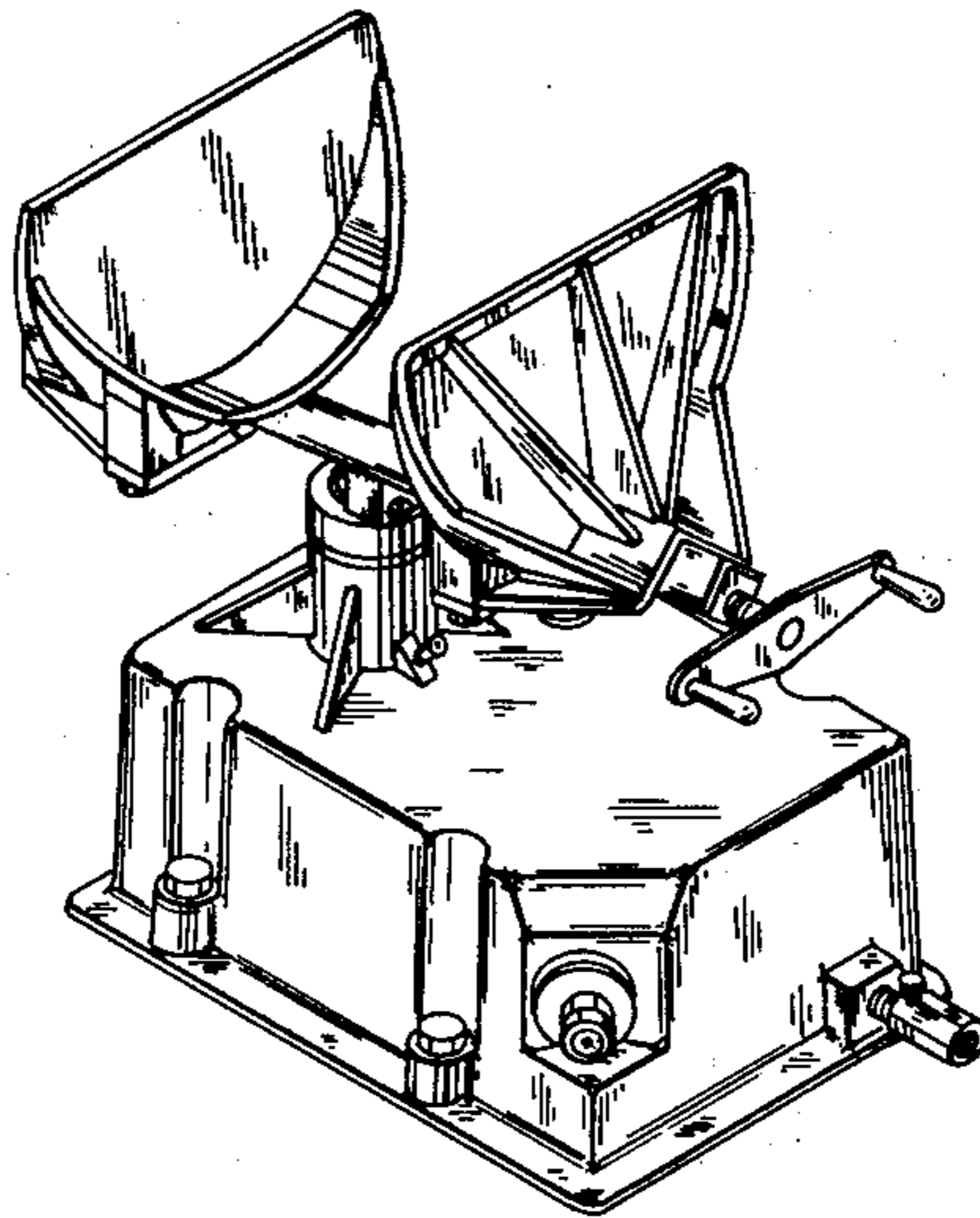
Primary Examiner—Bullock B. J.
Attorney, Agent, or Firm—Ralph F. Crandell

[57] CLAIM

The ornamental design for a paint can shaker, as shown and described.

DESCRIPTION

FIG. 1 is perspective view of a paint can shaker embodying my new design.
 FIG. 2 is a front elevational view thereof.
 FIG. 3 is a rear elevational view thereof.
 FIG. 4 is a right side elevational view thereof.
 FIG. 5 is a left side elevational view thereof.
 FIG. 6 is a top plan view thereof, the bottom being unornamented.



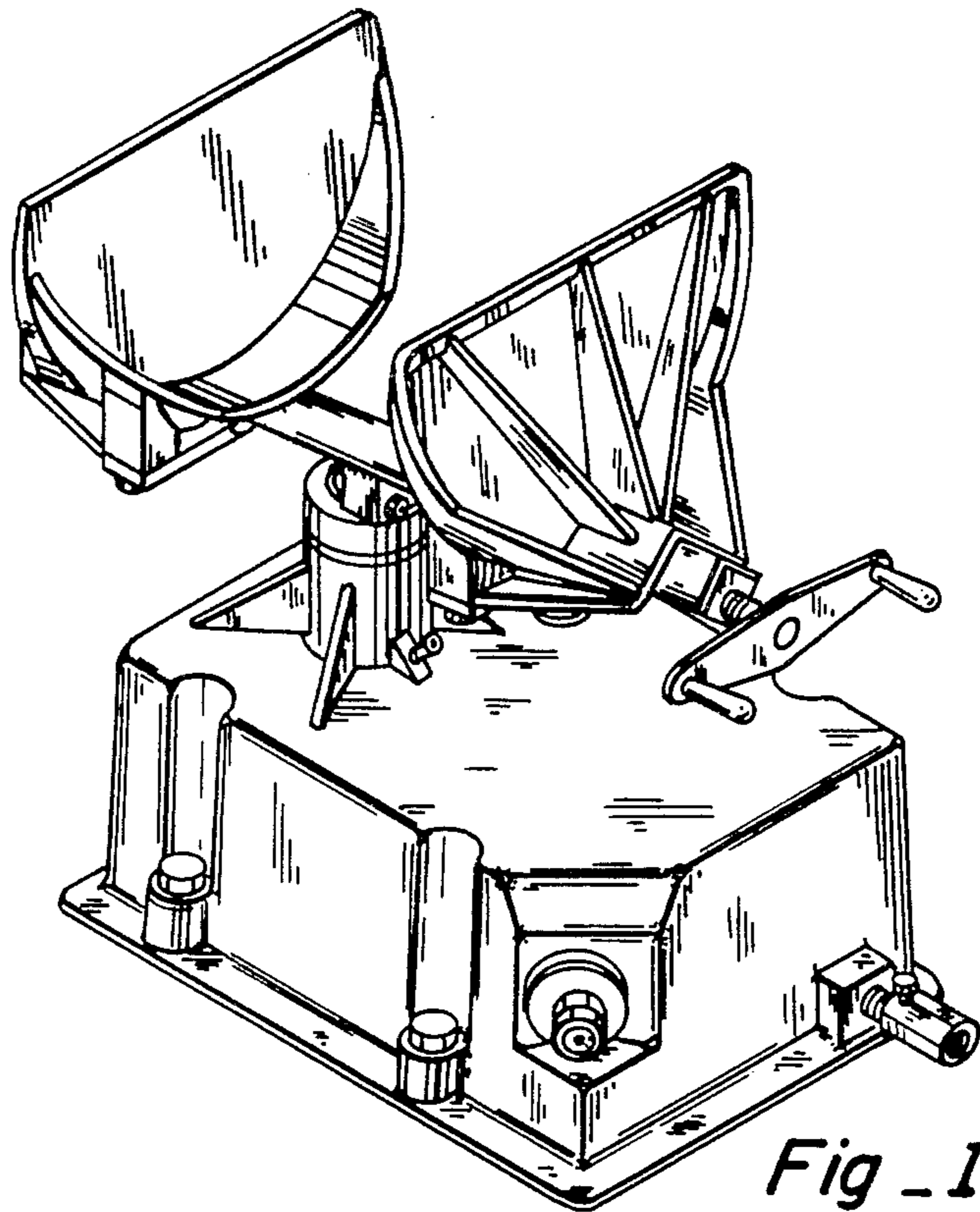


Fig - 1

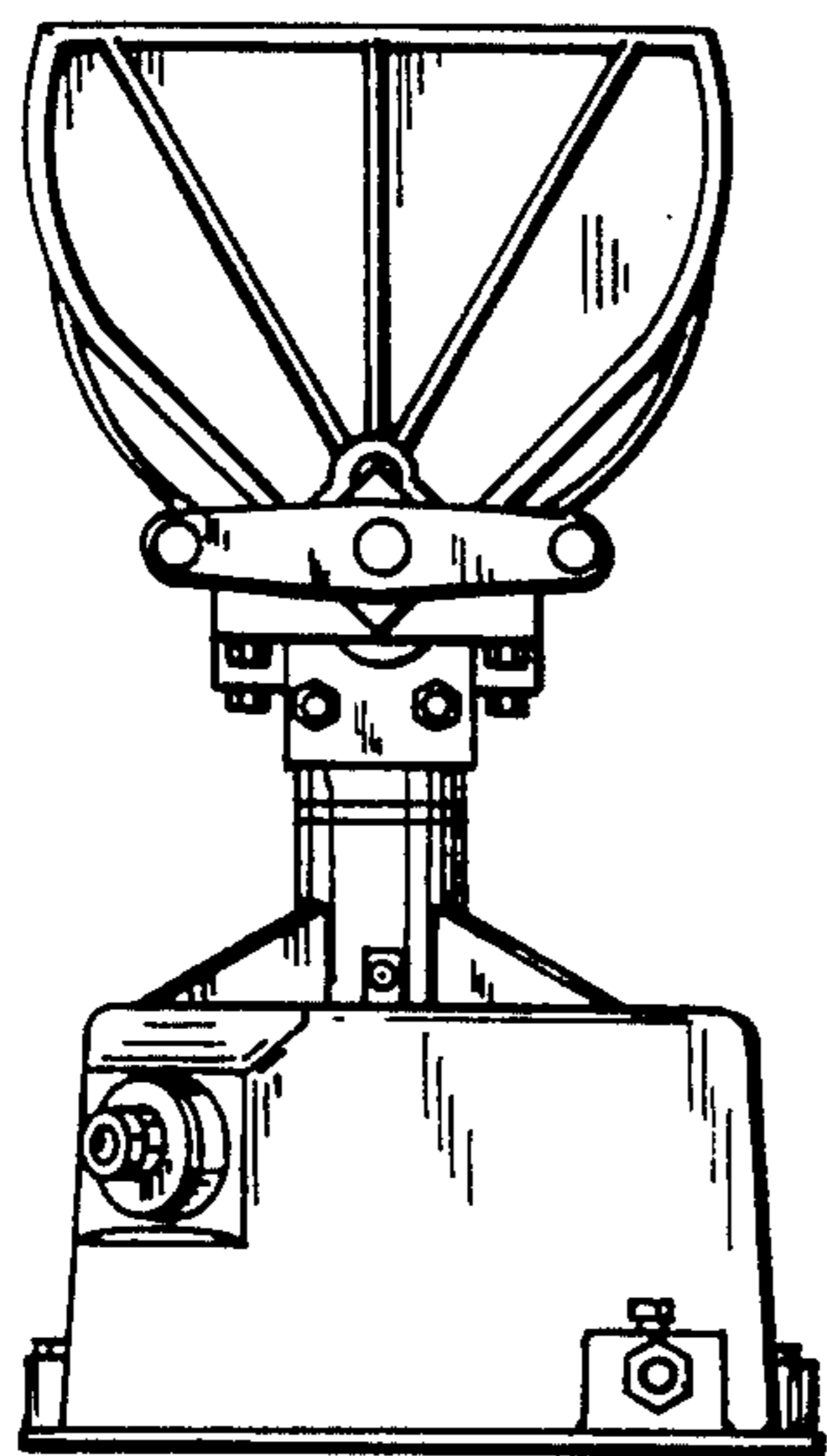


Fig - 2

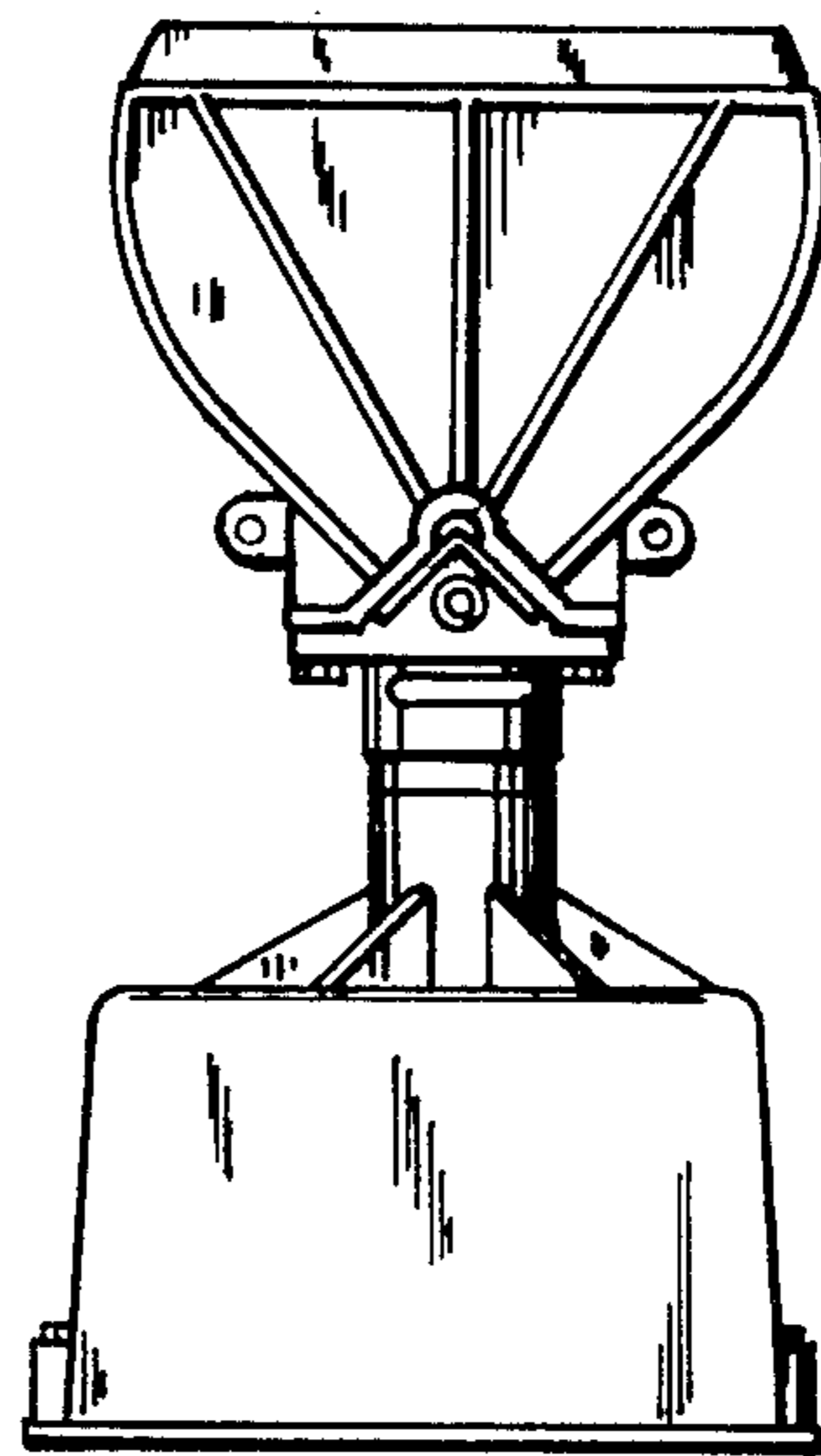


Fig - 3

