

[54] SPOILER

[75] Inventor: Adolf Koch, Waiblingen-Neustadt, Fed. Rep. of Germany

[73] Assignee: ATG Autoteile-Grosshandel GmbH, Waiblingen, Fed. Rep. of Germany

[**] Term: 14 Years

[21] Appl. No.: 872,376

[22] Filed: Jun. 6, 1986

Related U.S. Application Data

[63] Continuation of Ser. No. 558,157, Dec. 5, 1983, abandoned.

[30] Foreign Application Priority Data

Jun. 8, 1983 [DE] Fed. Rep. of Germany 948
[52] U.S. Cl. D12/181
[58] Field of Search D12/181; 296/1 S

[56]

References Cited

U.S. PATENT DOCUMENTS

D. 248,156 6/1978 Tixier D12/169
D. 282,157 1/1986 Kerschbaum D12/181
D. 283,887 5/1986 Koch D12/181

OTHER PUBLICATIONS

Road & Track, 5/82, p. 44, Mustang GT Front Spoiler.
Road & Track, 2/82, p. 69, Volkswagen Front Spoiler, top of page.

Primary Examiner—James M. Gandy
Attorney, Agent, or Firm—Michael J. Striker

[57]

CLAIM

The ornamental design for a spoiler, as shown and described.

DESCRIPTION

FIG. 1 is a perspective view of a spoiler embodying my new design.
FIG. 2 is a front elevation view thereof.
FIG. 3 is a top plan view thereof.
FIG. 4 is a bottom plan view thereof.
FIG. 5 is a rear elevation view thereof.
FIG. 6 is a side elevation view thereof.

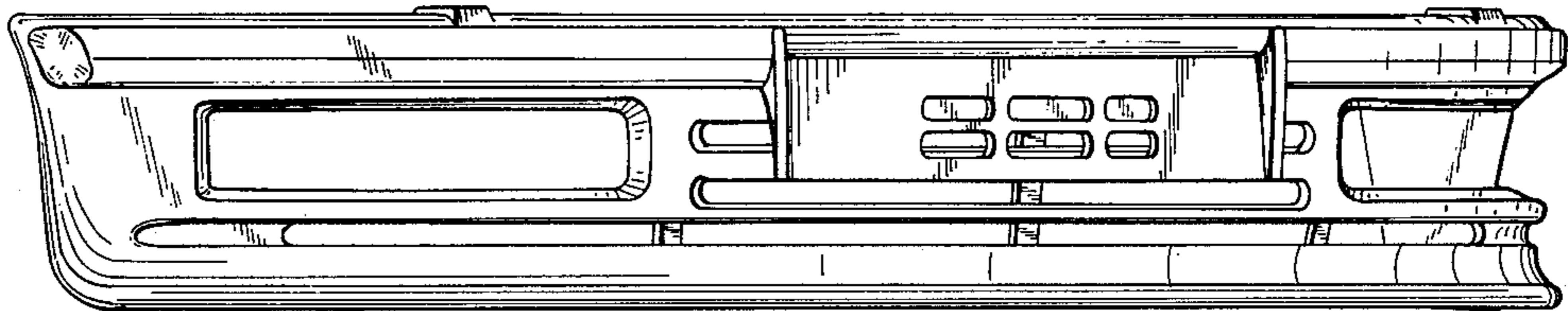


FIG. 1

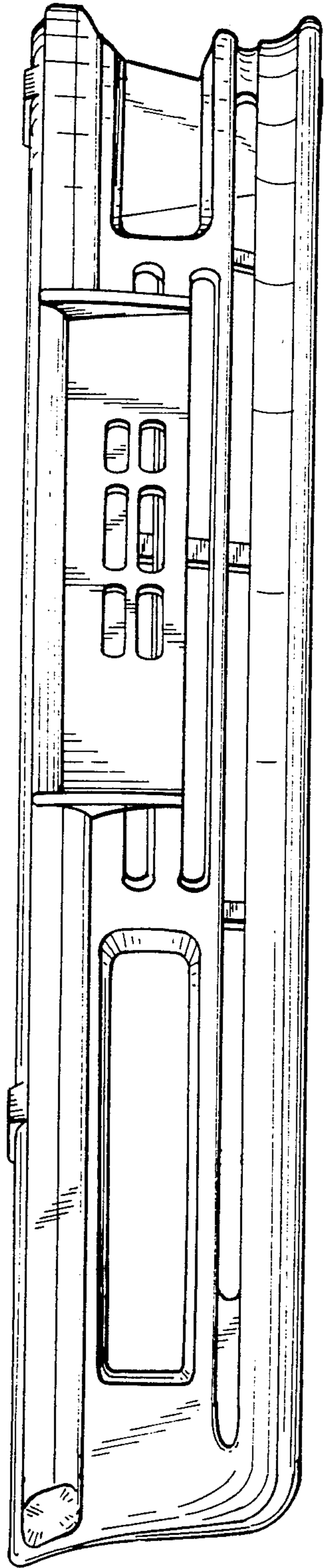
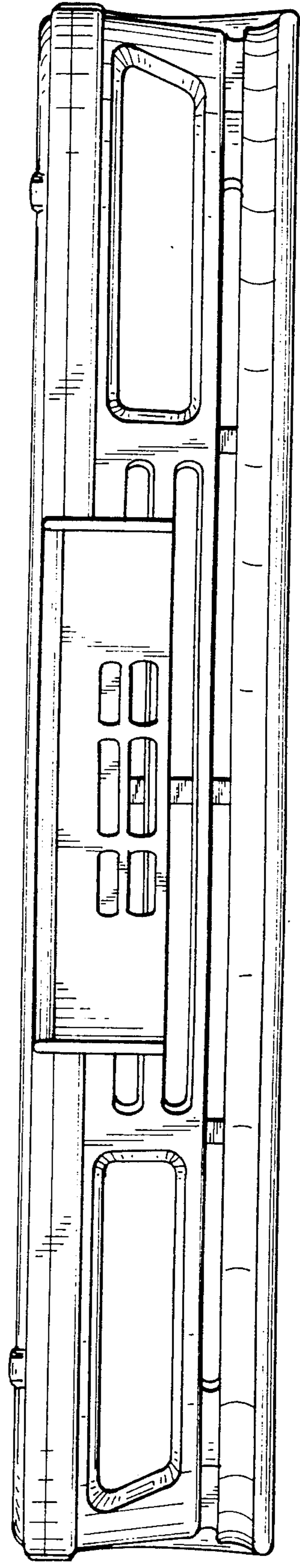


FIG. 2



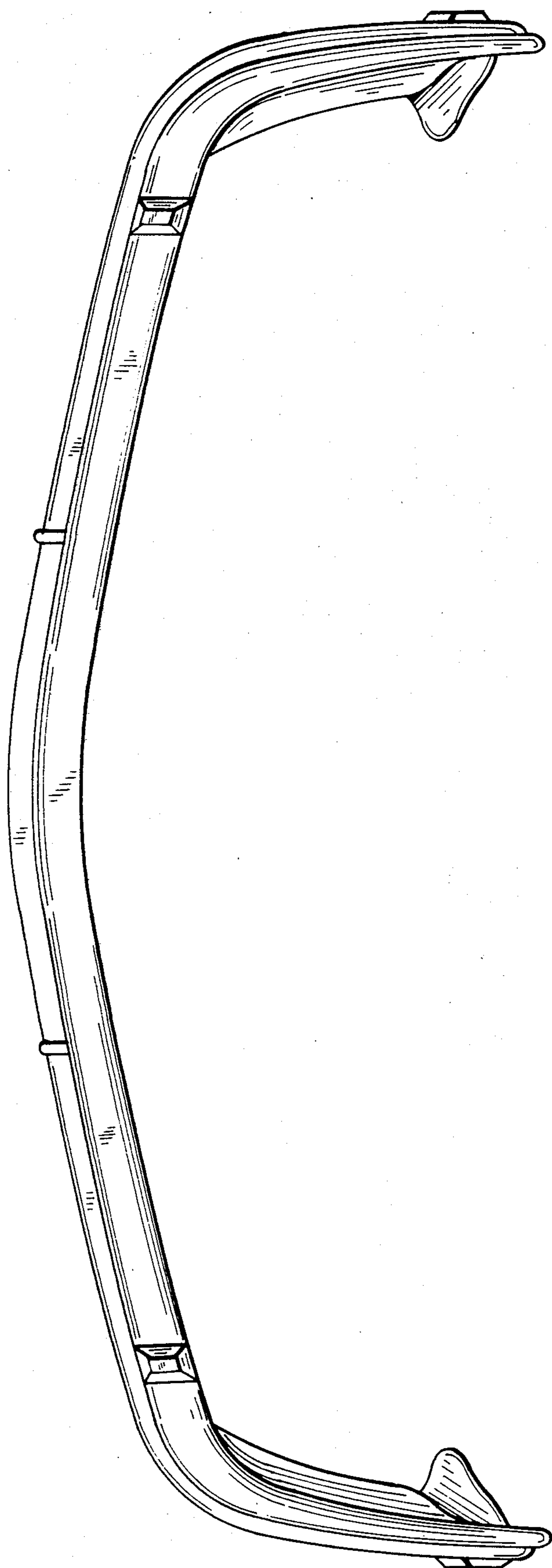


FIG. 3

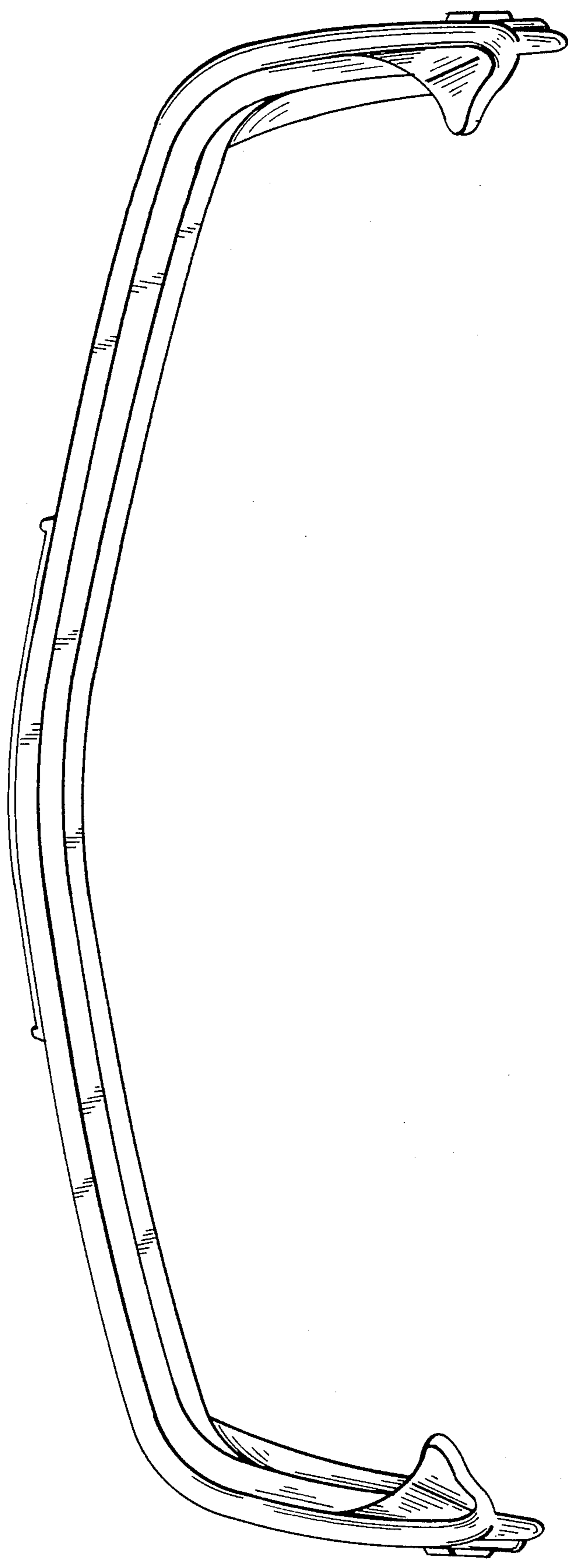


FIG. 4

FIG. 5

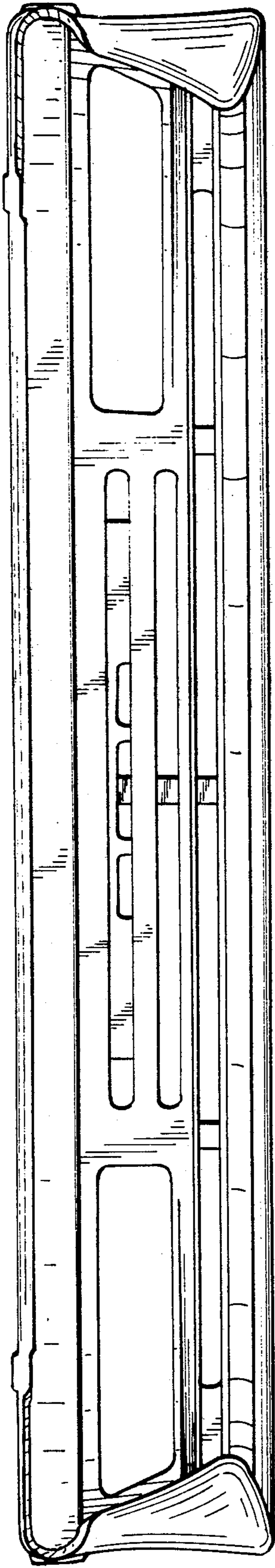


FIG. 6

