

[54] FLOATING BOAT TRAILER

[76] Inventor: Robert A. Warren, P.O. Box 273, Hilltop, W. Va. 25855

[\*\*] Term: 14 Years

[21] Appl. No.: 725,783

[22] Filed: Apr. 22, 1985

[52] U.S. Cl. .... D12/101

[58] Field of Search ..... D12/101, 105; 280/414.1

[56] References Cited

U.S. PATENT DOCUMENTS

3,130,842	4/1964	Melloni .....	280/414.1
3,731,831	5/1973	Huff .....	D12/101
3,831,790	8/1974	Farris .....	280/414.1

FOREIGN PATENT DOCUMENTS

668600 10/1964 Italy ..... 280/414.1

OTHER PUBLICATIONS

The Rudder, 1/65, p. 62, Portable, Floating Drydock, top of page.

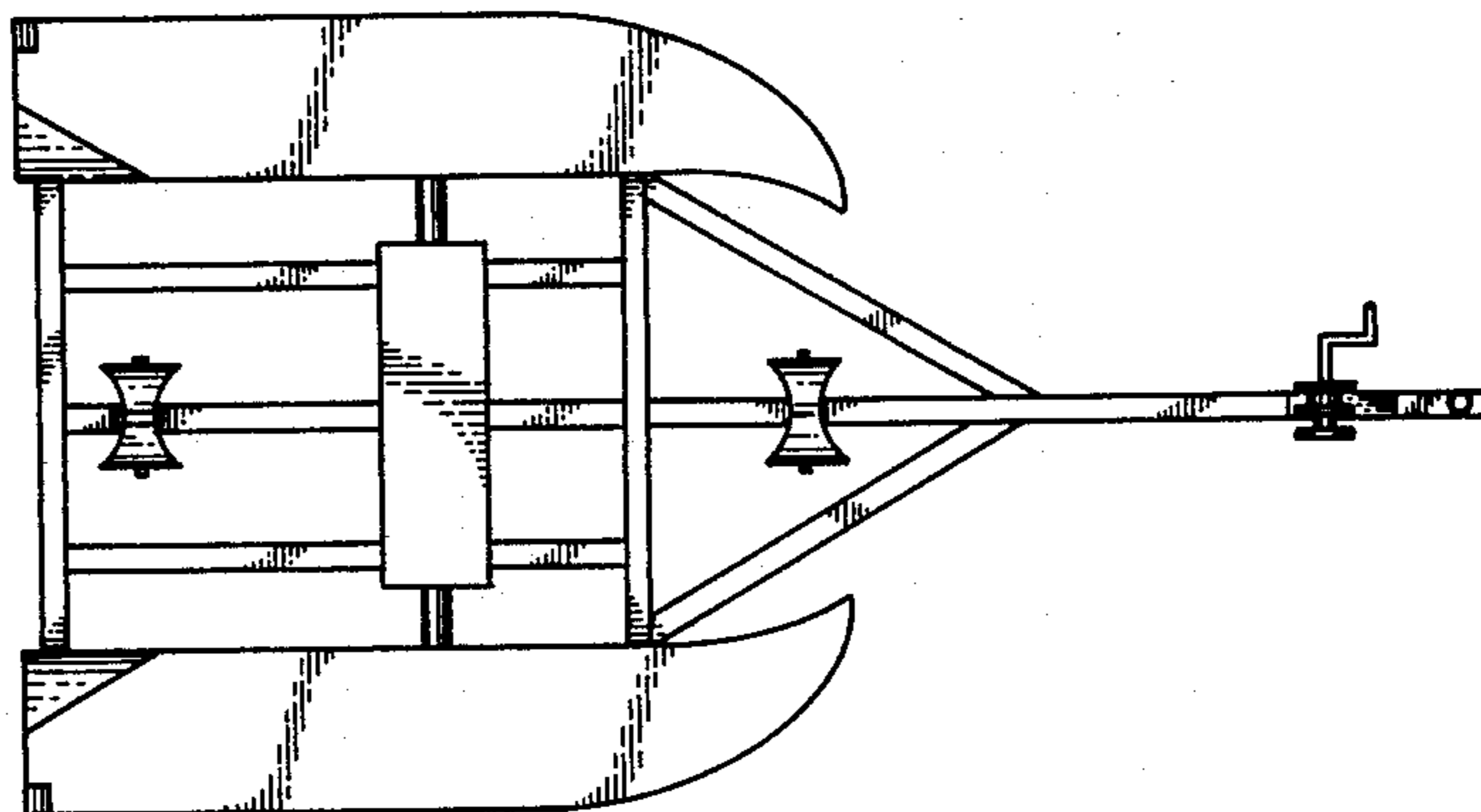
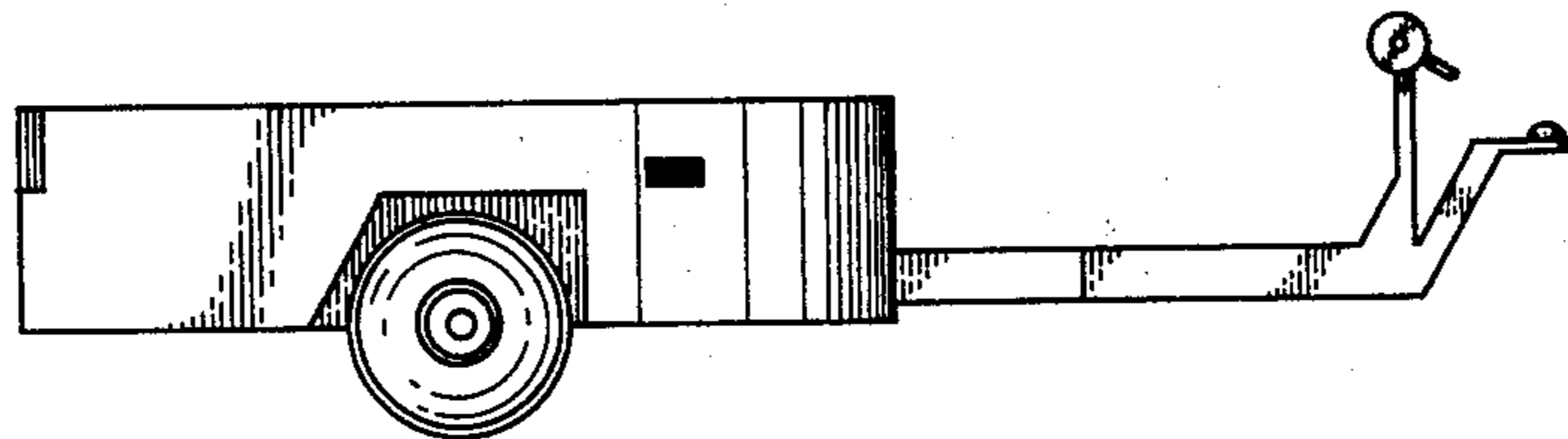
Primary Examiner—James M. Gandy  
Attorney, Agent, or Firm—Don E. Ferrell

[57] CLAIM

The ornamental design for a floating boat trailer, as shown.

DESCRIPTION

FIG. 1 is a side elevational view of a floating boat trailer showing my new design;  
FIG. 2 is a top plan view thereof;  
FIG. 3 is a bottom plan view thereof;  
FIG. 4 is a rear elevational view thereof; and  
FIG. 5 is a front elevational view thereof.



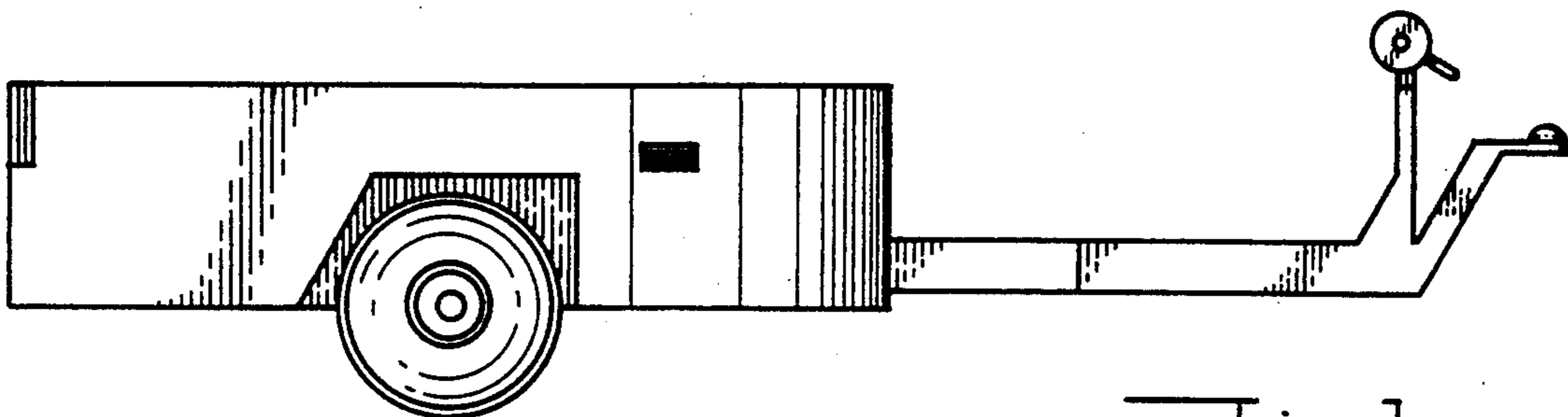


Fig. 1

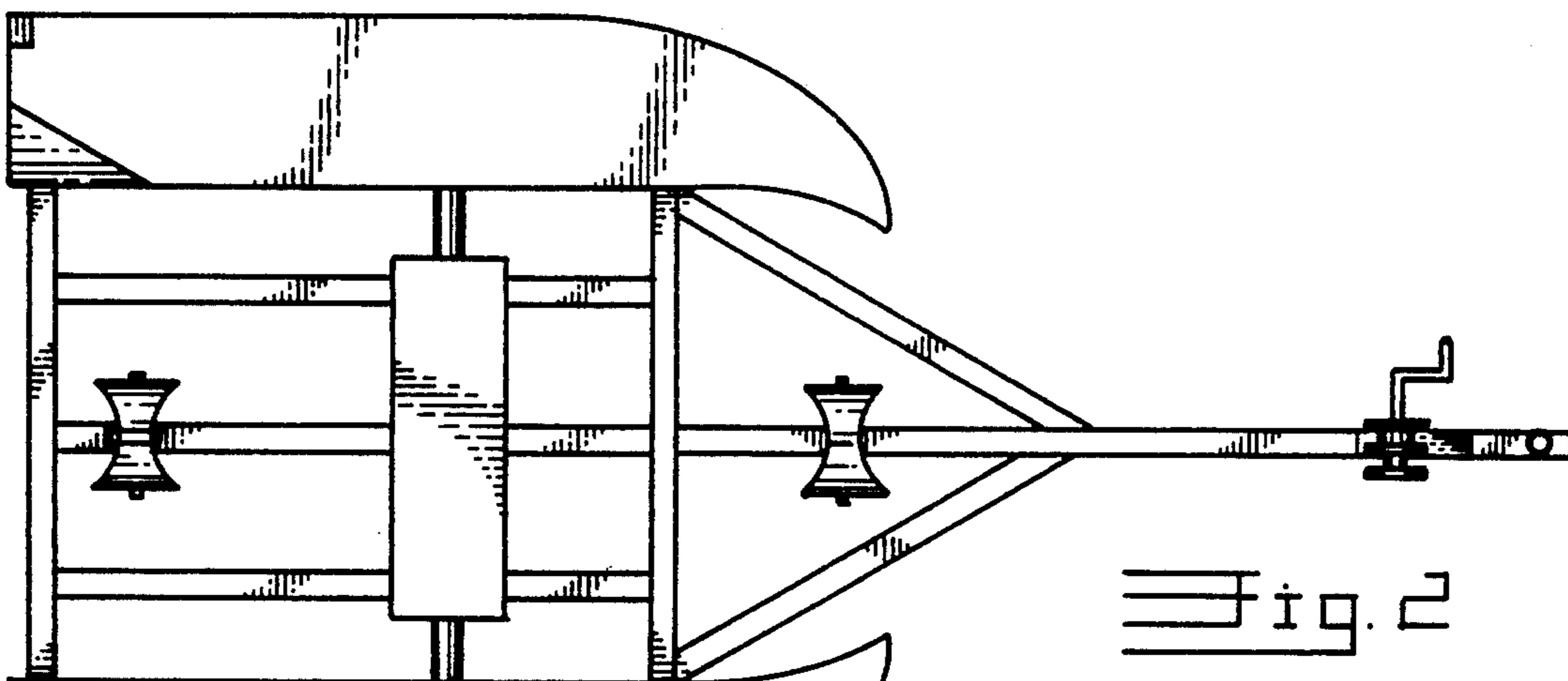


Fig. 2

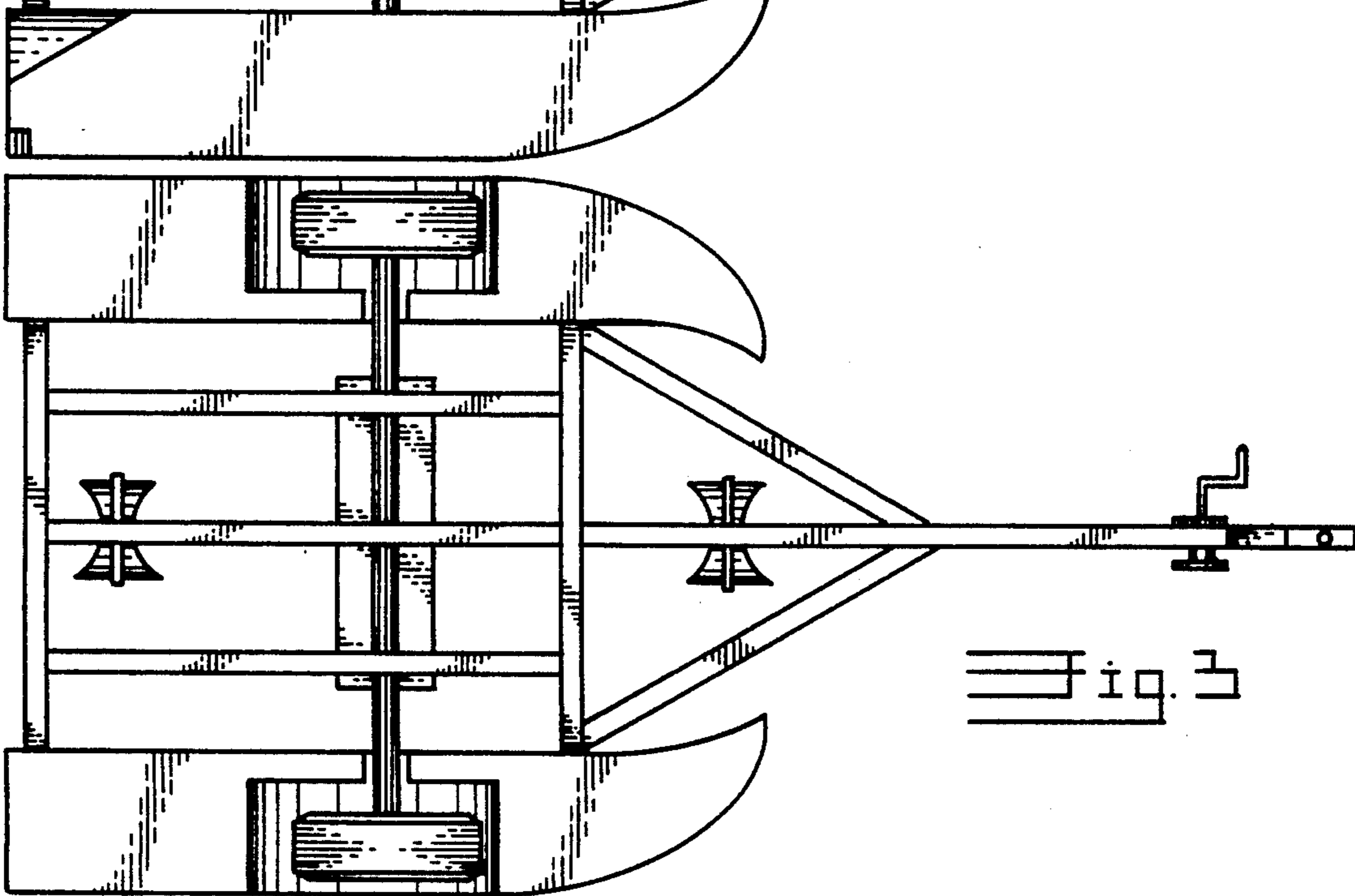


Fig. 3

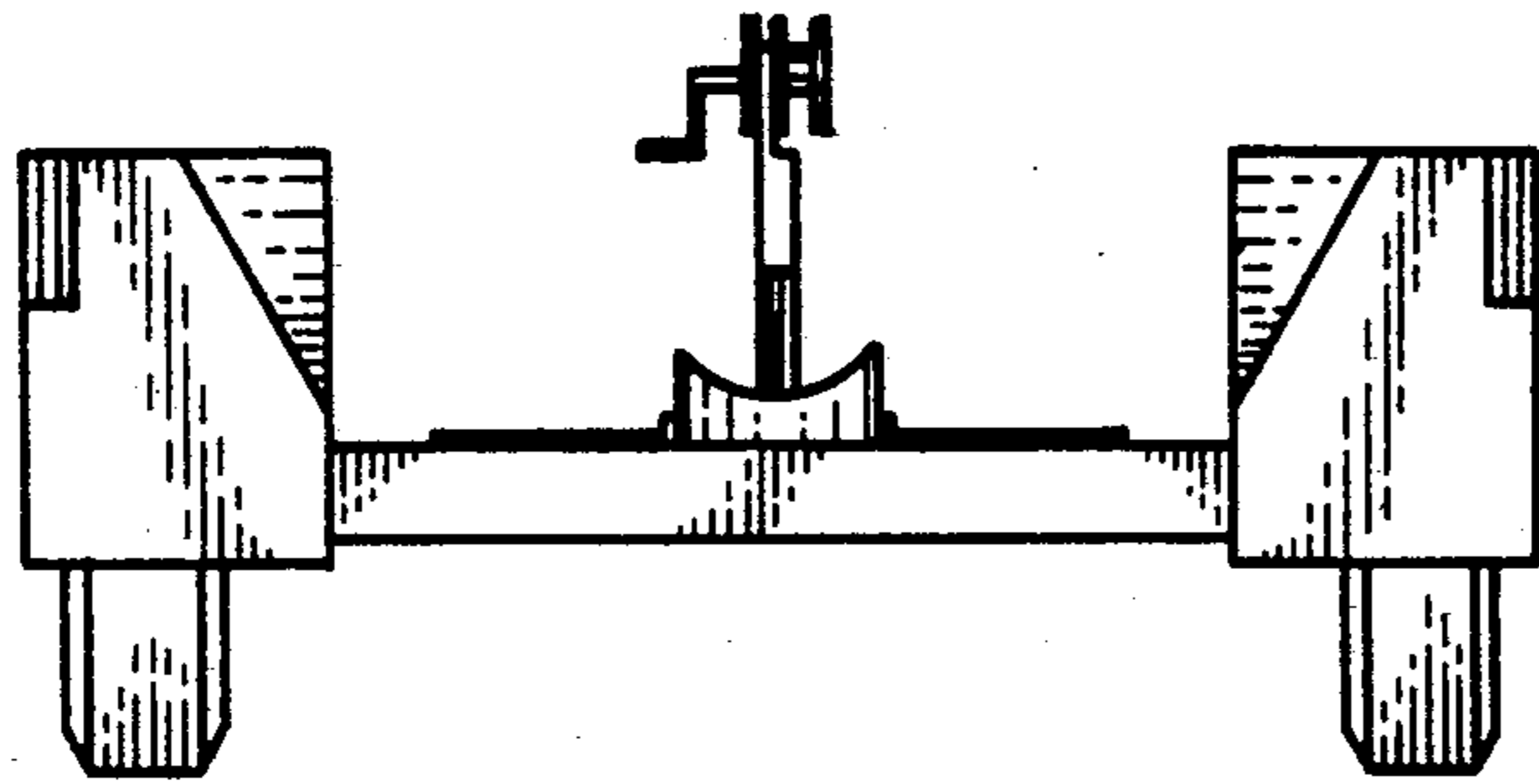


Fig. 4

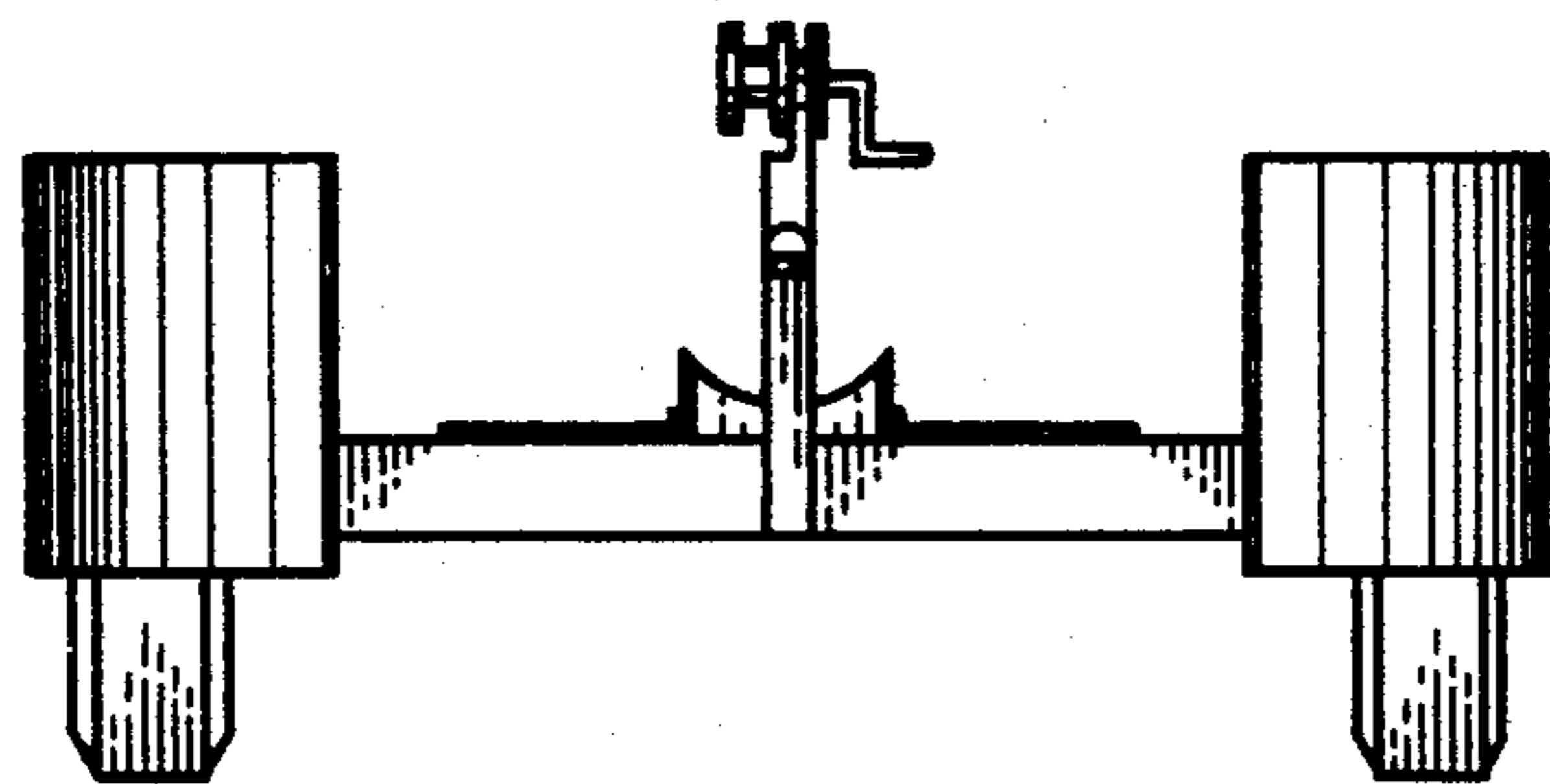


Fig. 5