

# United States Patent [19]

Bayly

[11] Patent Number: **Des. 292,779**

[45] Date of Patent: **\*\* Nov. 17, 1987**

[54] **TOY TRAIN WHISTLE**

[76] Inventor: **Charles L. Bayly**, 1731 Washington,  
Algonac, Mich. 48001

[\*\*] Term: **14 Years**

[21] Appl. No.: **739,089**

[22] Filed: **May 29, 1985**

[52] U.S. Cl. .... **D10/119; D21/64;**  
D21/129

[58] Field of Search ..... **D10/119; D21/64, 129;**  
446/404, 151, 150; 116/137

[56] **References Cited**

### U.S. PATENT DOCUMENTS

D. 138,711 9/1944 Hickling ..... D21/129  
D. 173,649 12/1954 Fleishman ..... D10/119

D. 263,382 3/1982 Moore ..... D10/119  
D. 283,017 3/1986 Henry ..... D10/119  
362,397 5/1887 Pinnell ..... D21/129

*Primary Examiner*—Charles A. Rademaker  
*Attorney, Agent, or Firm*—Don E. Ferrell

### [57] CLAIM

The ornamental design for a toy train whistle, as shown and described.

### DESCRIPTION

FIG. 1 is a perspective view of a toy train whistle showing my new design;

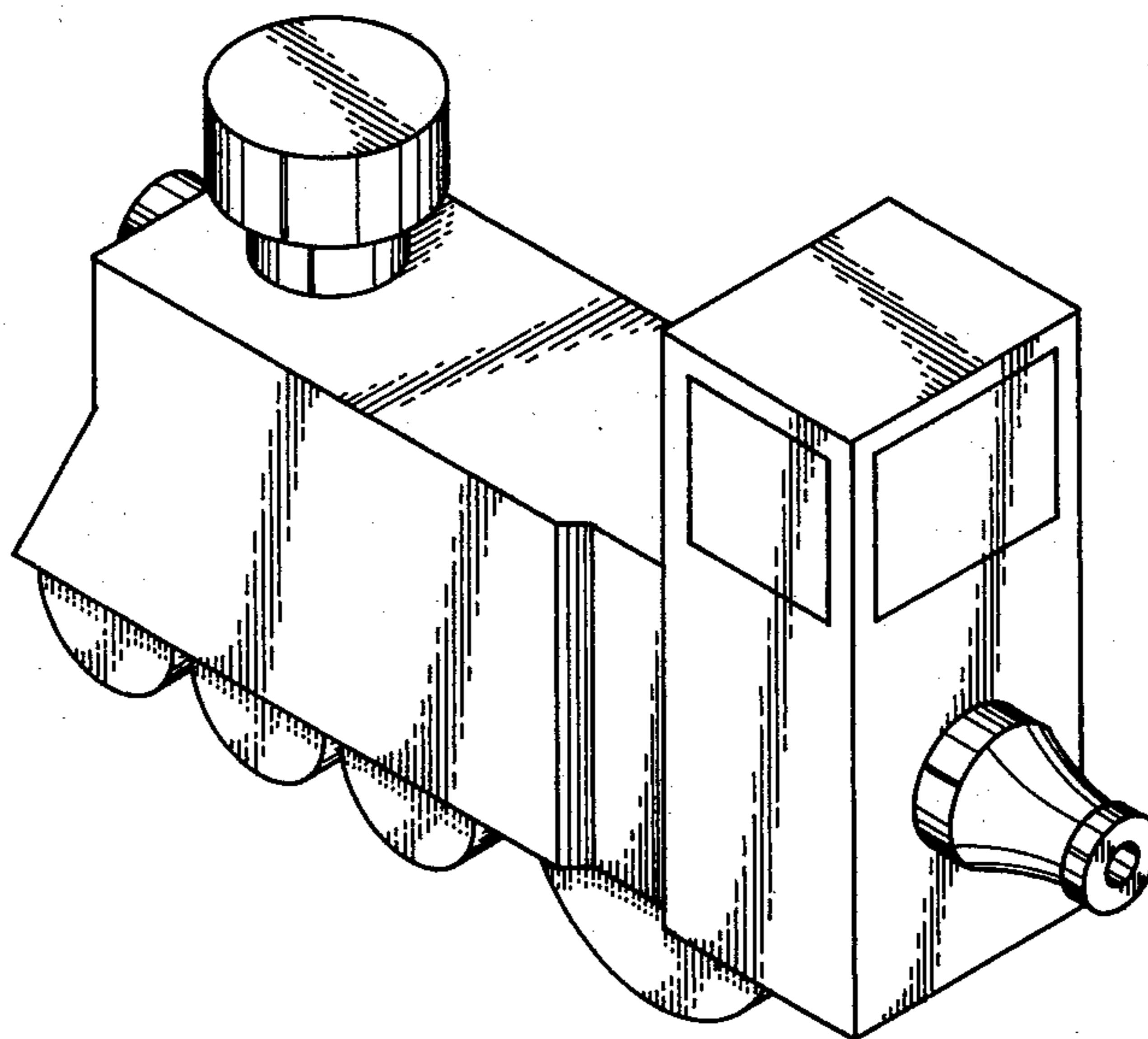
FIG. 2 is a bottom plan view thereof;

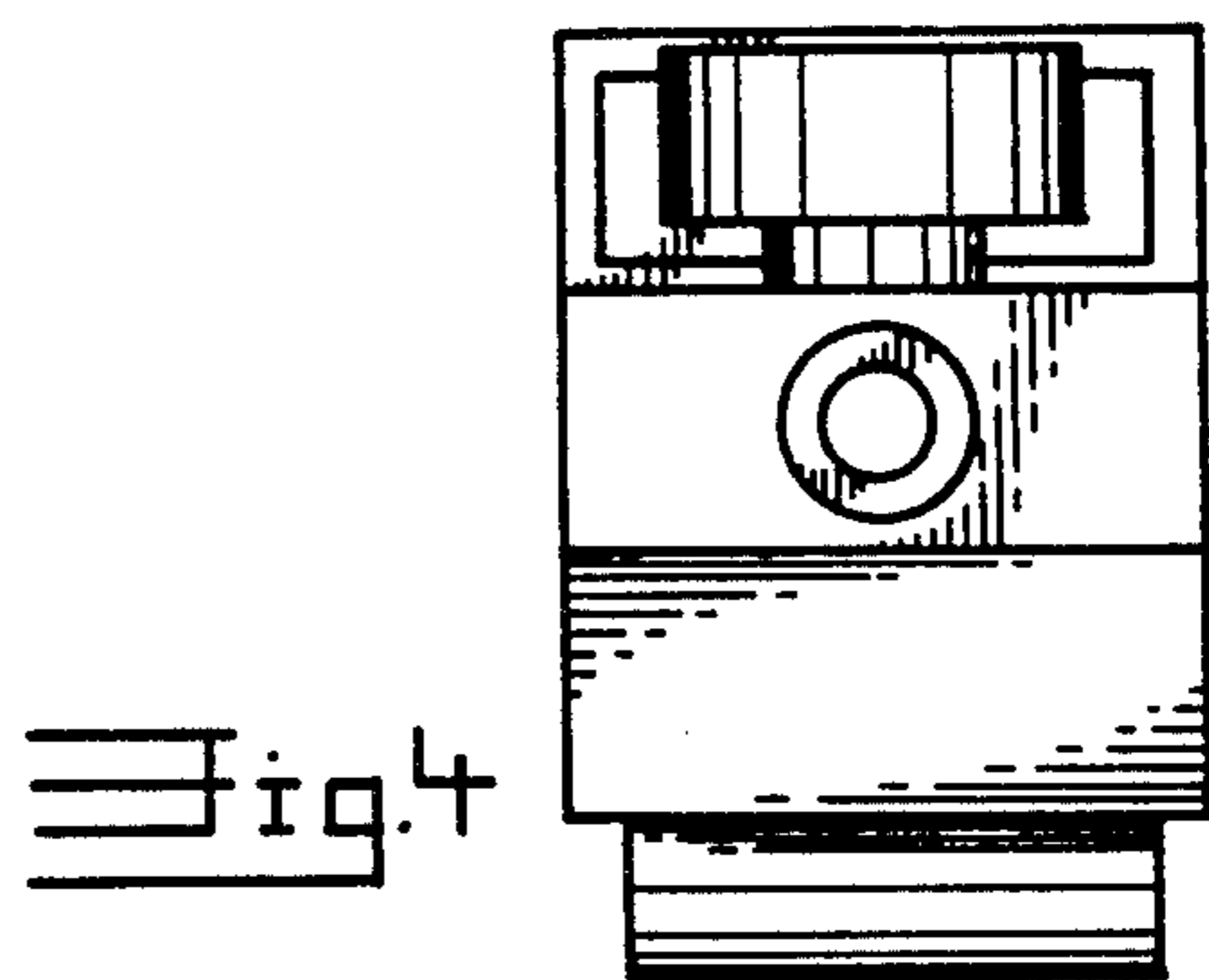
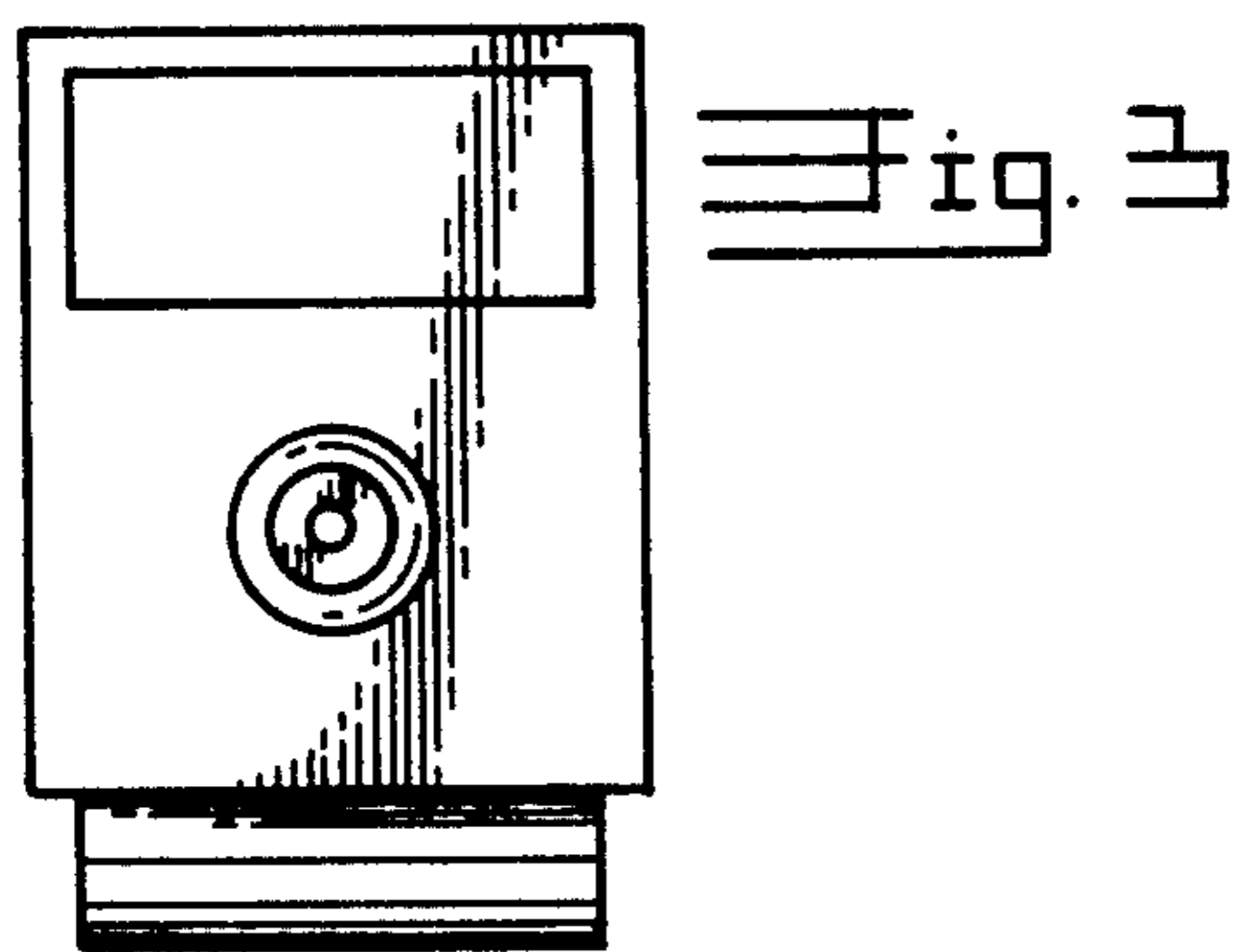
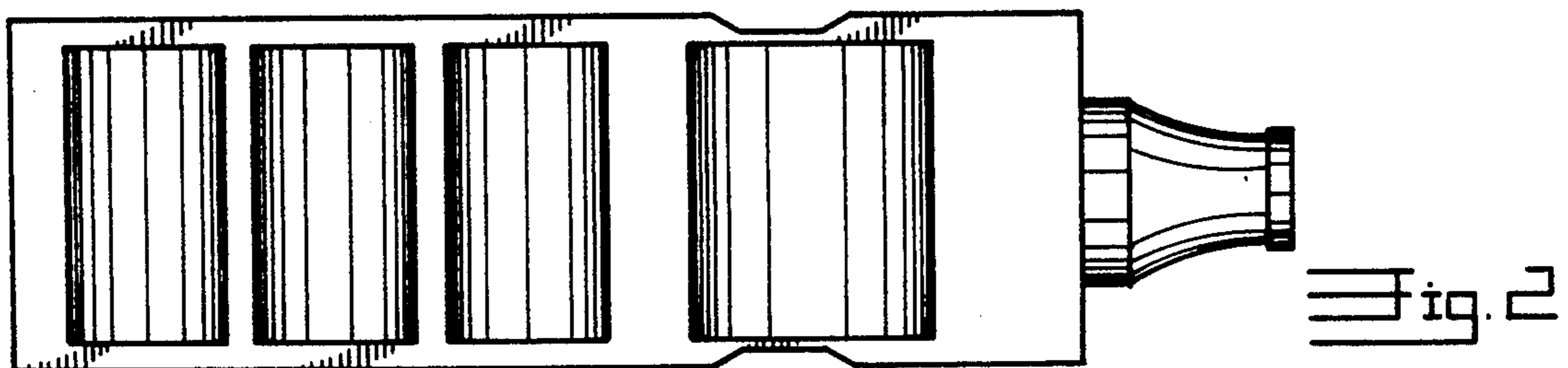
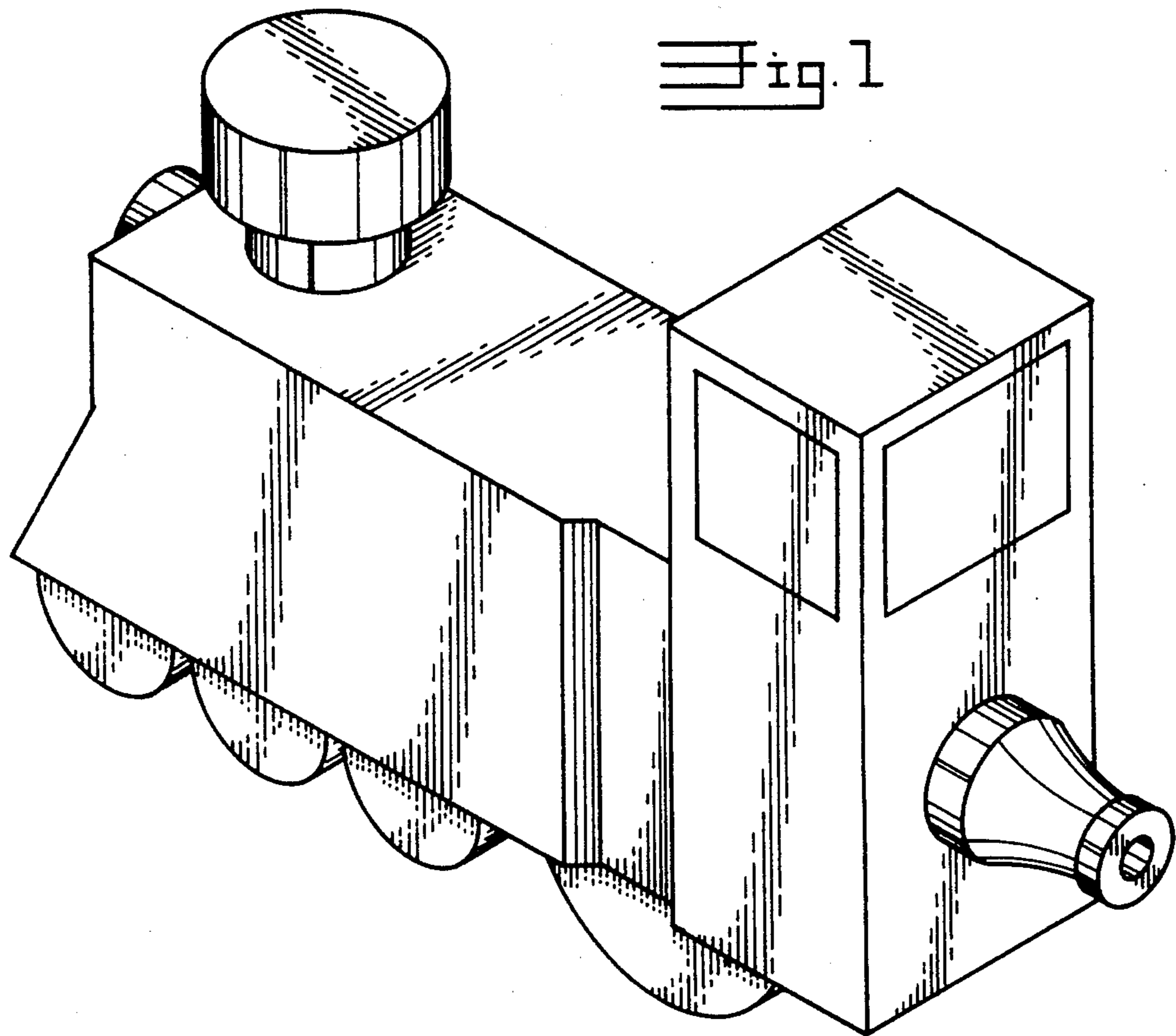
FIG. 3 is a rear end elevational view thereof;

FIG. 4 is a front end elevational view thereof;

FIG. 5 is a top plan view thereof; and

FIG. 6 is a right side elevational view thereof.





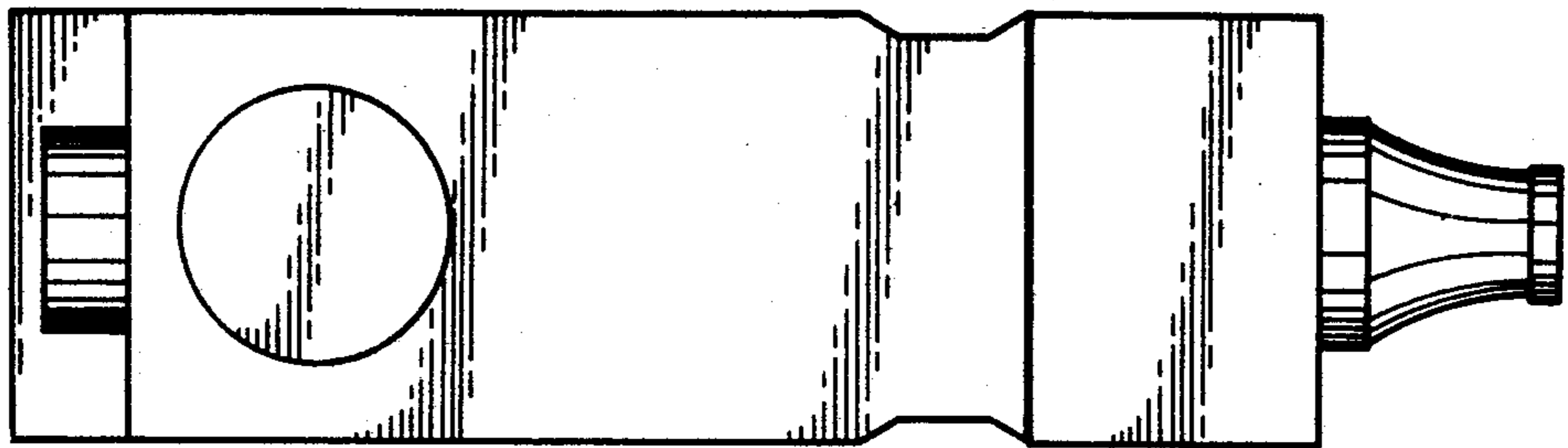


Fig. 5

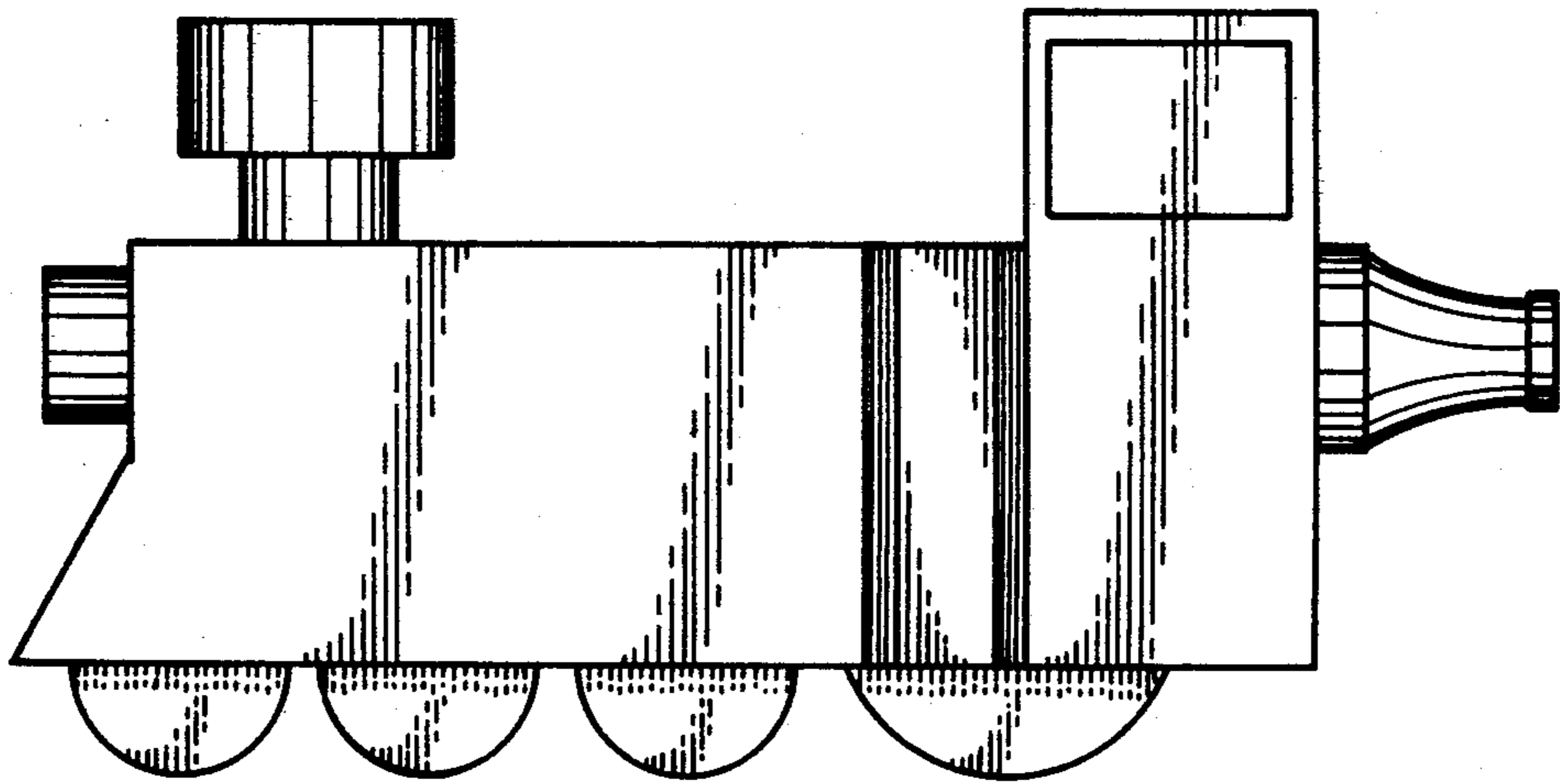


Fig. 6