

[54] HUMIDITY SENSOR

[75] Inventors: **Franco Clivio**, Zürich, Switzerland;
Dieter Raffler, Neu-Ulm, Fed. Rep. of Germany

[73] Assignee: **Gardena Kress & Kastner GmbH**, Fed. Rep. of Germany

[**] Term: **14 Years**

[21] Appl. No.: **706,800**

[22] Filed: **Feb. 28, 1985**

[30] Foreign Application Priority Data

Sep. 6, 1984 [DE] Fed. Rep. of Germany GRAIII19888403

[52] U.S. Cl. **D10/56; D8/1**

[58] Field of Search **D10/46, 56, 57, 75, D10/78; D8/1; 73/335, 336.5, 337.5**

[56] References Cited

U.S. PATENT DOCUMENTS

D. 234,581 3/1975 Koehler D10/85

D. 247,162 2/1978 Vanasco D10/56
D. 250,882 1/1979 Johansen D10/56
D. 279,274 6/1985 Emori D10/56
3,427,537 2/1969 Osborne D10/56 X

OTHER PUBLICATIONS

Industrial Equip. News-6/65-p. 27-Hygrometer at bottom right.

Primary Examiner—Nelson C. Holtje
Attorney, Agent, or Firm—Steele, Gould & Fried

[57] CLAIM

The ornamental design for a humidity sensor, as shown and described.

DESCRIPTION

FIG. 1 is a top and right front perspective view of a humidity sensor showing our new design;
FIG. 2 is a top plan view thereof;
FIG. 3 is a left side elevational view thereof;
FIG. 4 is a front elevational view thereof;
FIG. 5 is a right side elevational view thereof;
FIG. 6 is a rear elevational view thereof;
FIG. 7 is a bottom plan view thereof.

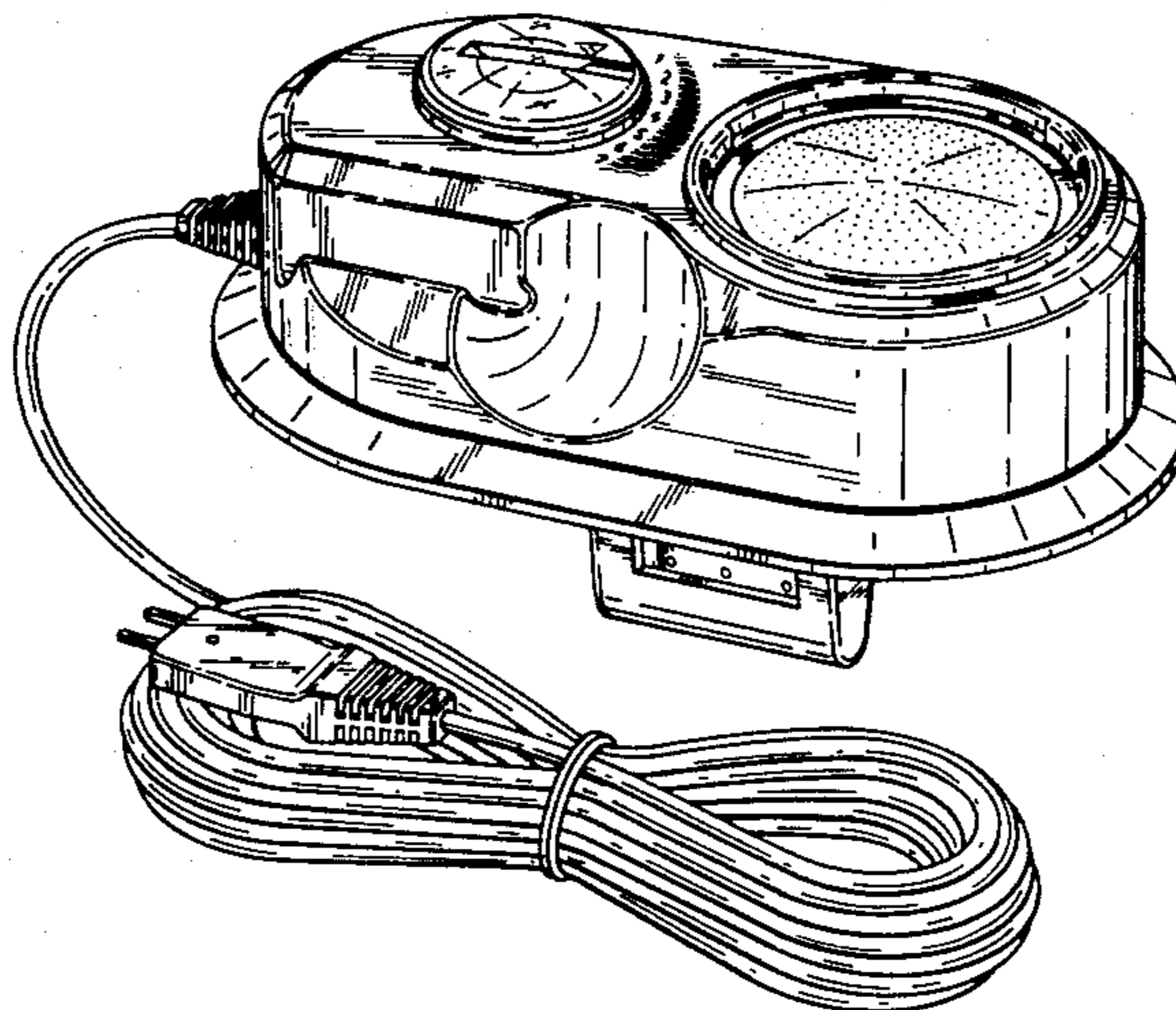


FIG. 1

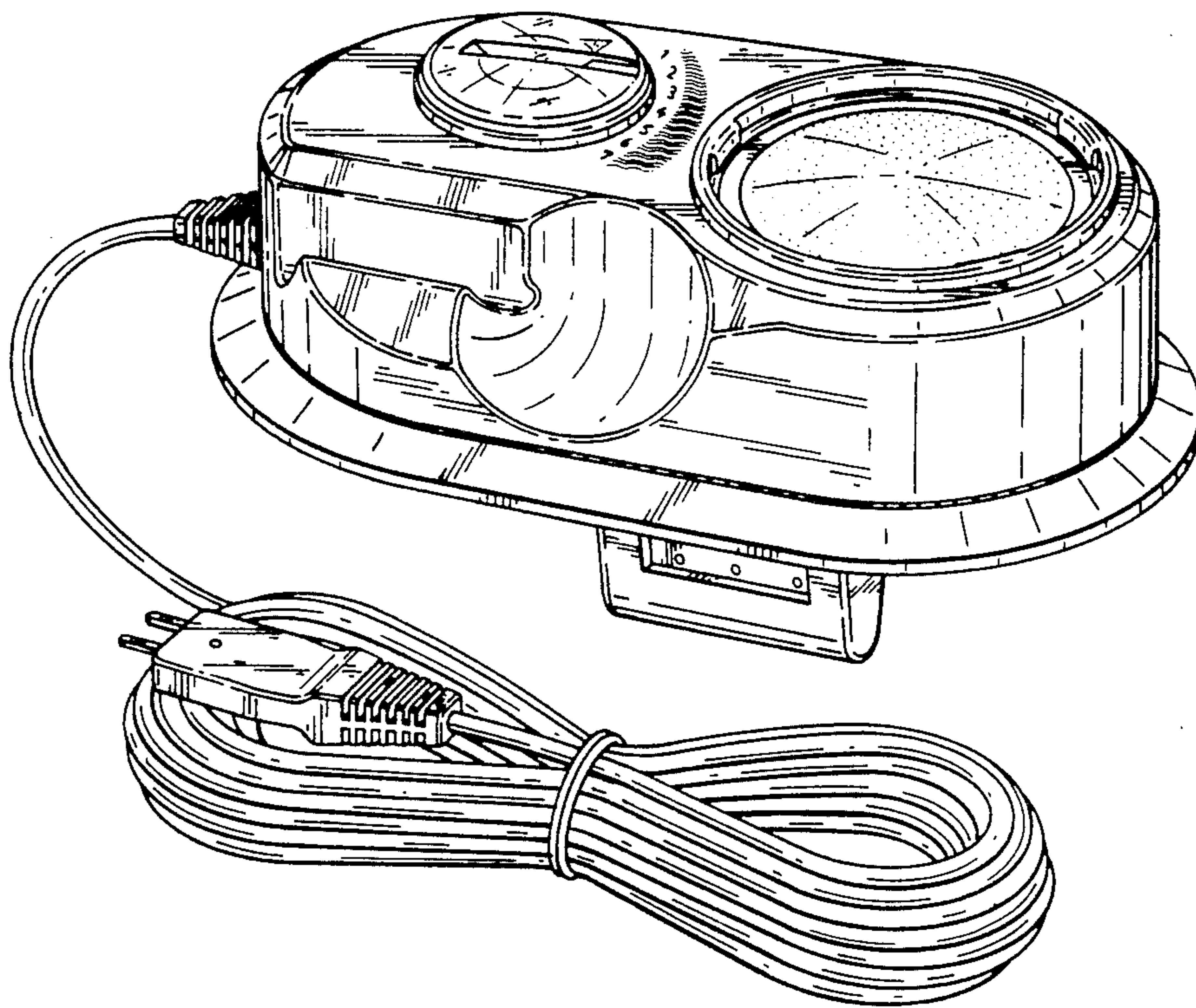


FIG. 2

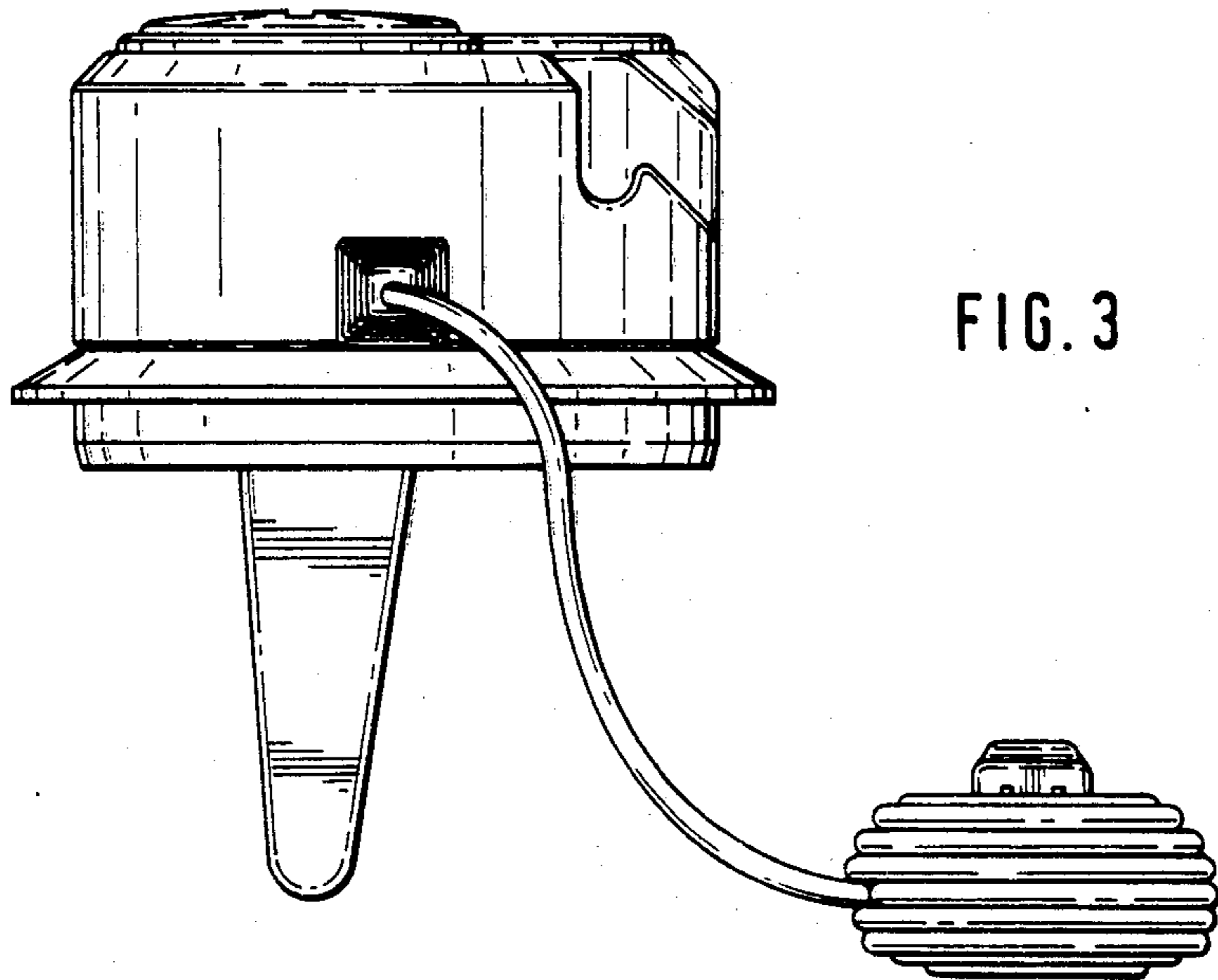
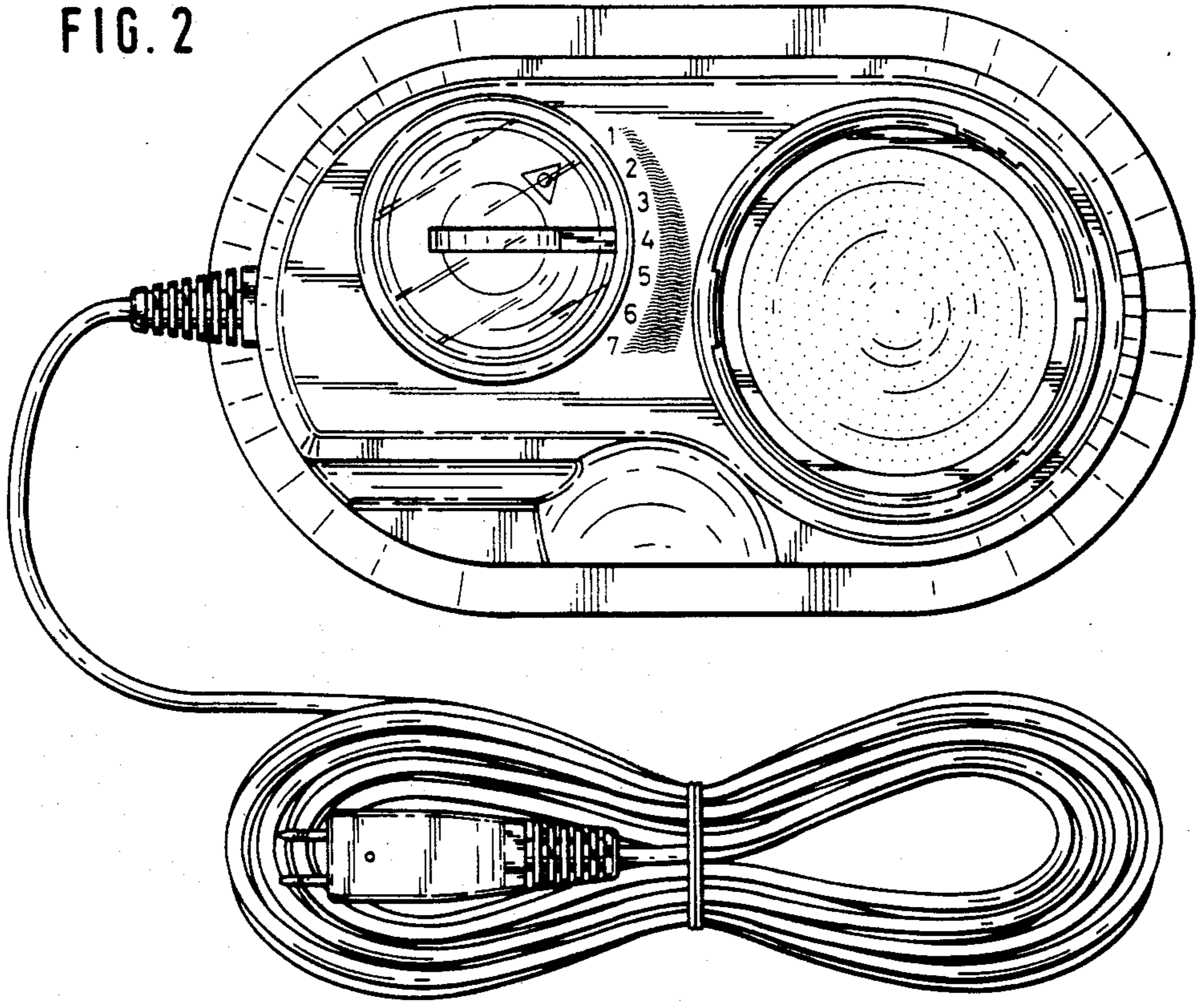
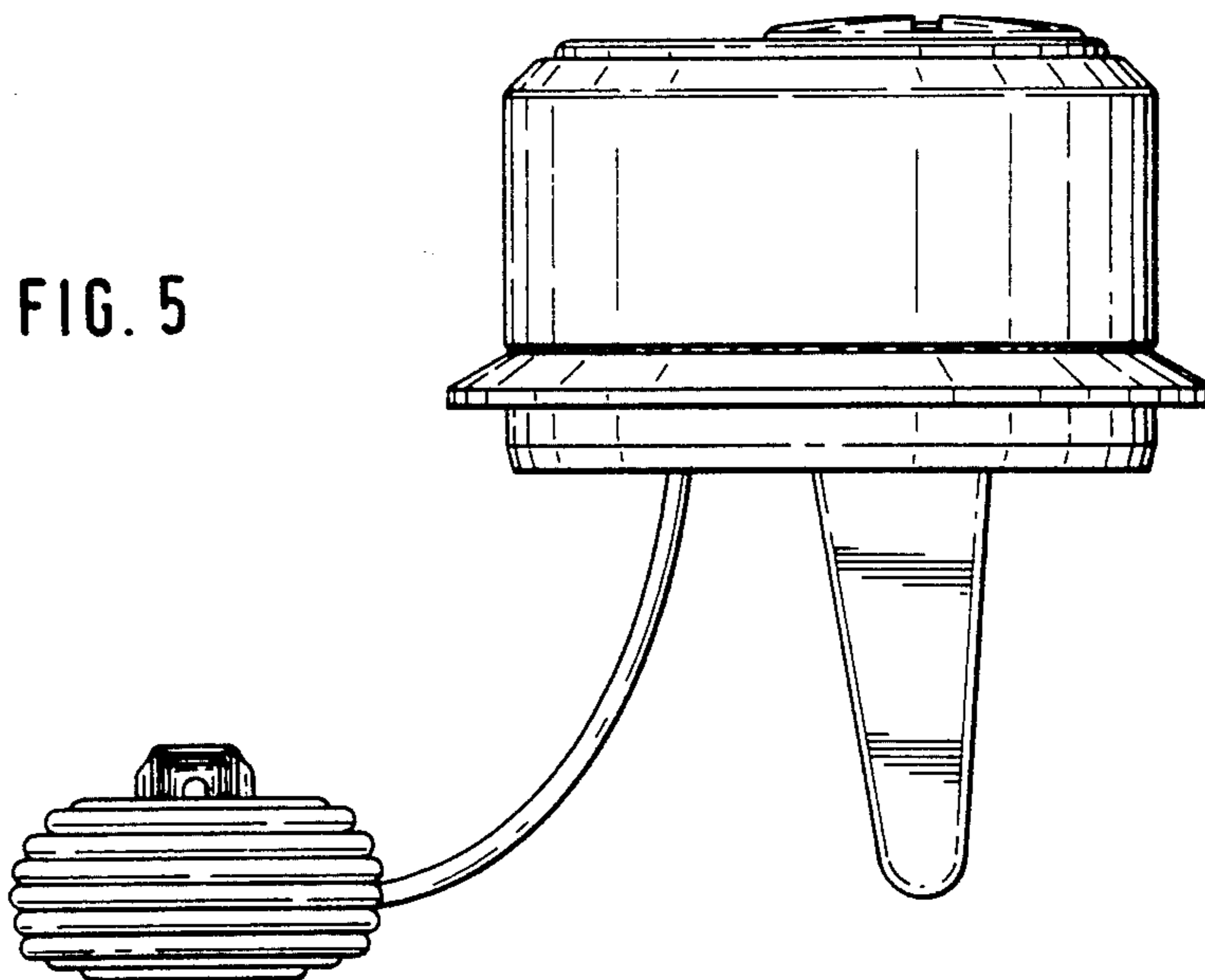
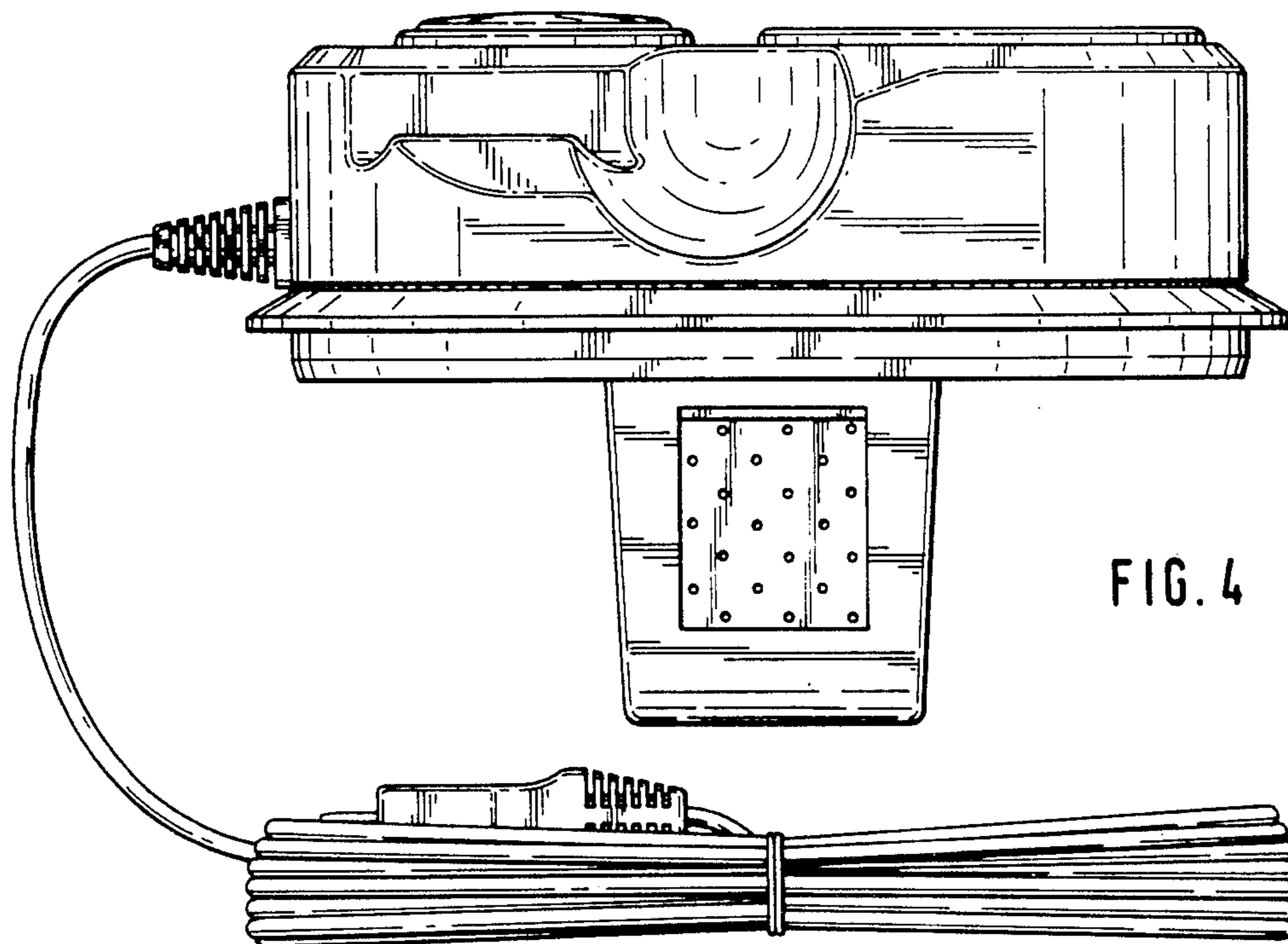


FIG. 3



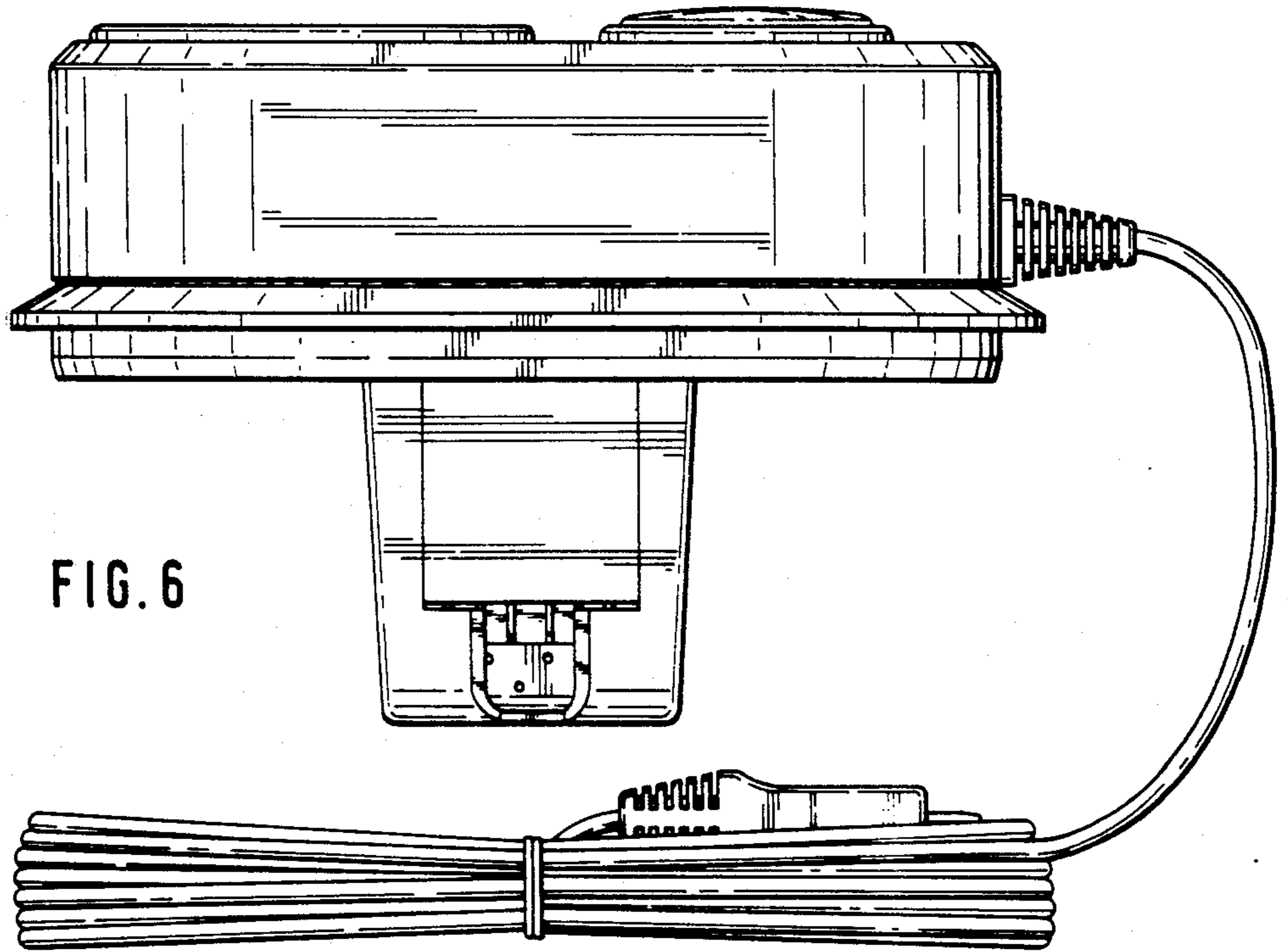


FIG. 6

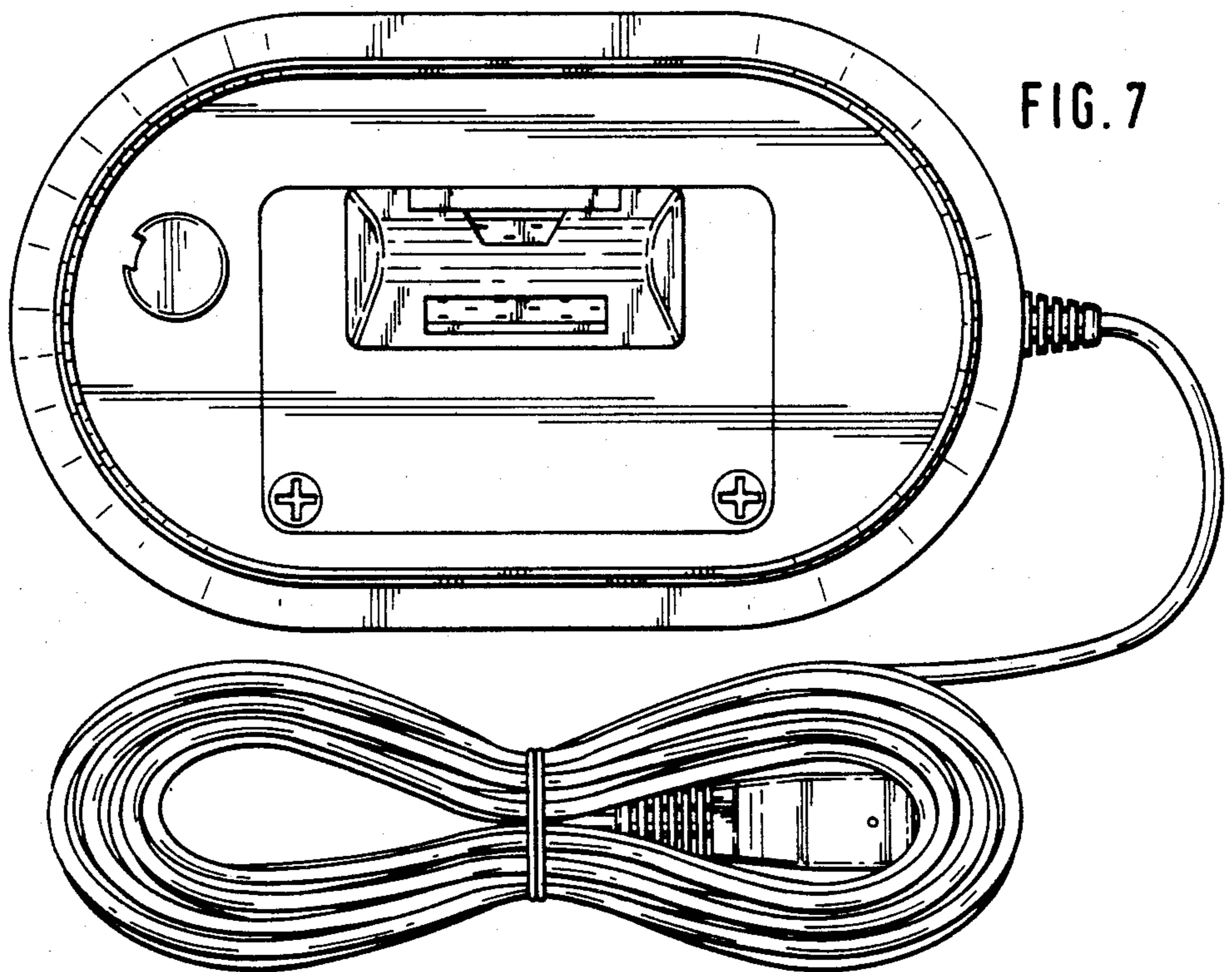


FIG. 7