

[54] PACKAGING CONTAINER

[75] Inventor: Derwyn Cugley, Brea, Calif.

[73] Assignee: VSI Fasteners, Inc., Stanton, Calif.

[**] Term: 14 Years

[21] Appl. No.: 733,096

[22] Filed: May 13, 1985

[52] U.S. Cl. D9/415

[58] Field of Search D9/415, 425, 426;
206/461, 462, 463, 470

[56] References Cited

U.S. PATENT DOCUMENTS

- D. 278,979 5/1985 Anderson et al. D9/415
- D. 283,488 4/1986 Stevens D9/425 X
- 3,157,280 11/1964 Perdue et al. D9/415 X

- 3,255,880 6/1966 Grossman D9/415 X
- 4,570,818 2/1986 Borst et al. D9/426 X

Primary Examiner—Robert C. Spangler
Attorney, Agent, or Firm—Frederick Gotha

[57] CLAIM

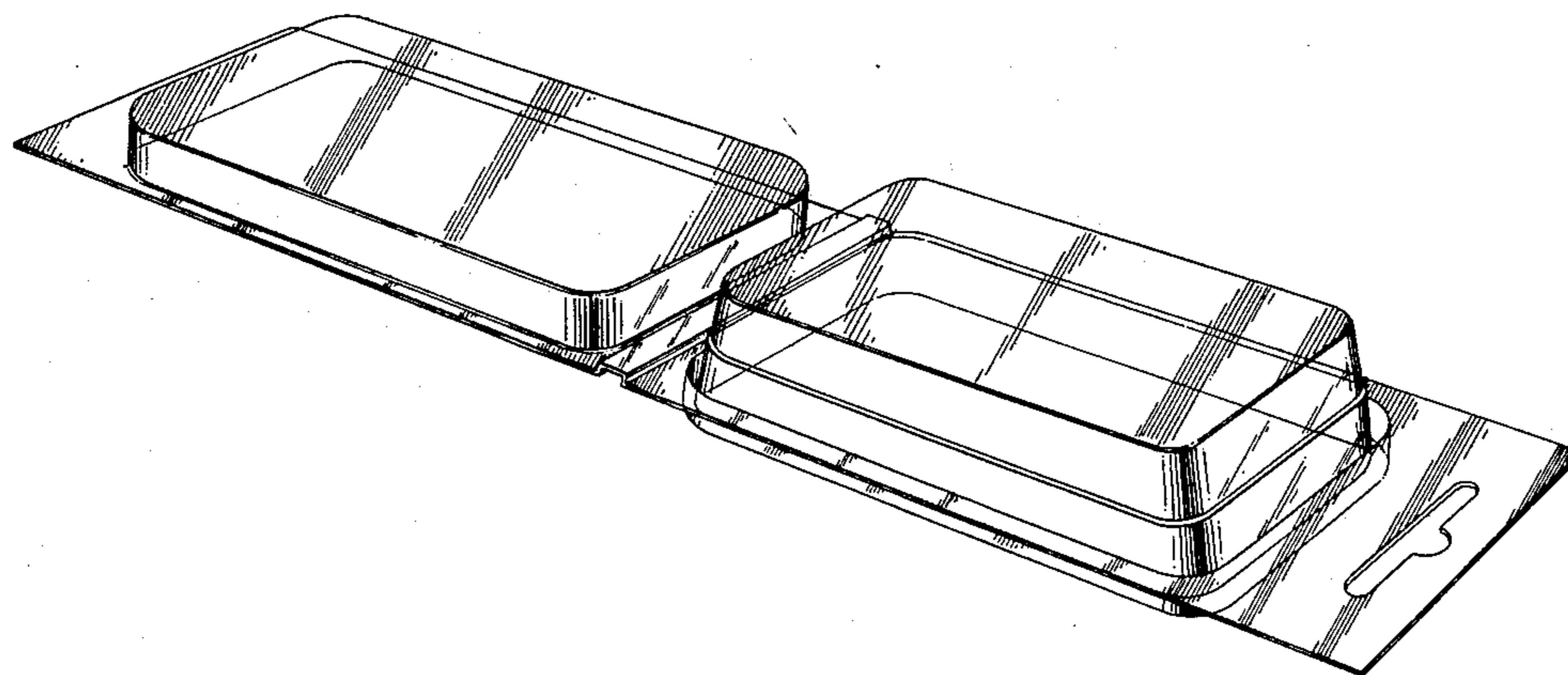
The ornamental design for a packaging container, substantially as shown and described.

DESCRIPTION

FIG. 1 is an exterior perspective view of a packaging container showing my new design in an open position. FIG. 2 is an interior perspective view thereof in the open position.

FIG. 3 is a rear perspective view thereof in a closed position; and

FIG. 4 is a front perspective view thereof in a closed position.



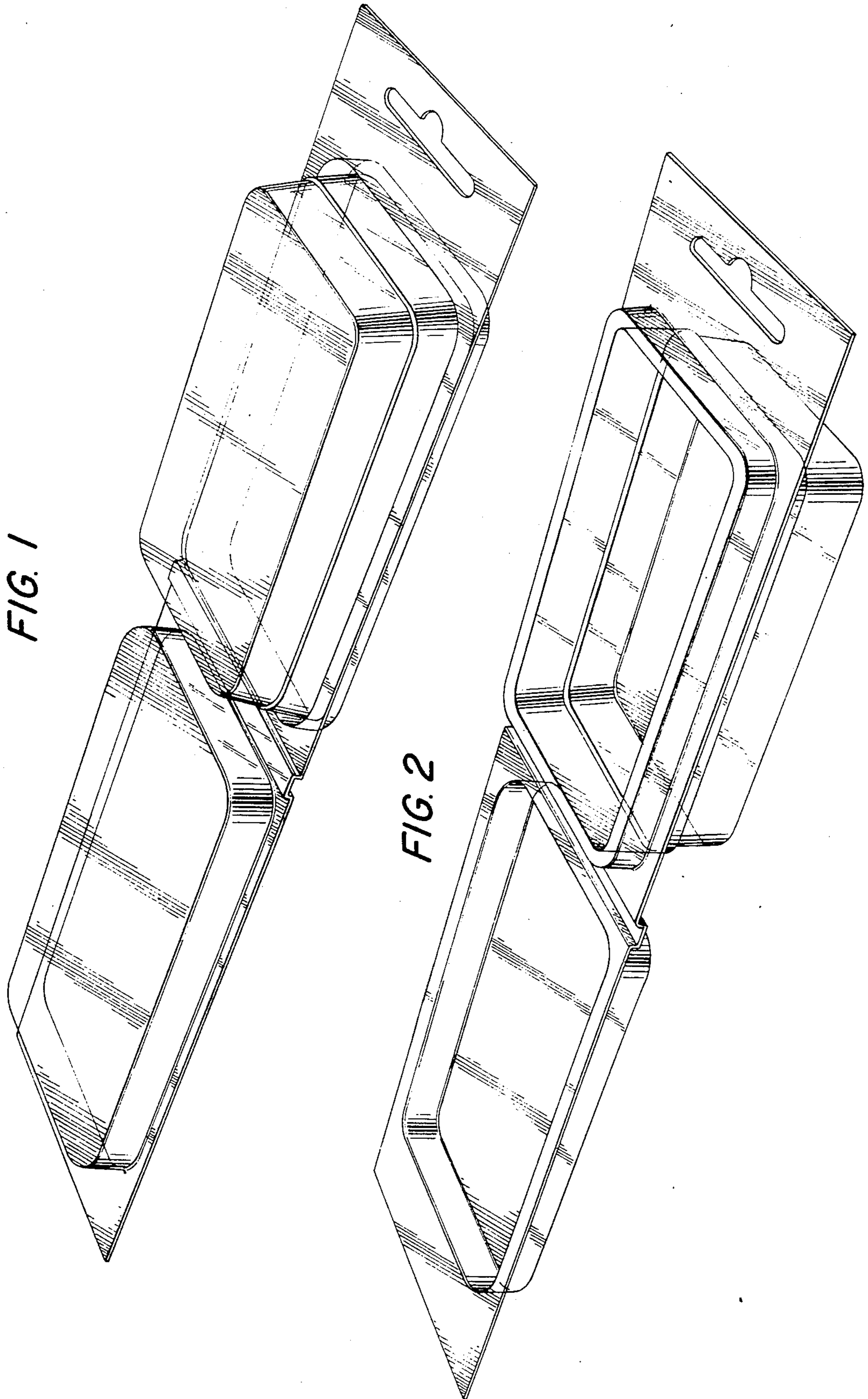


FIG. 1

FIG. 2

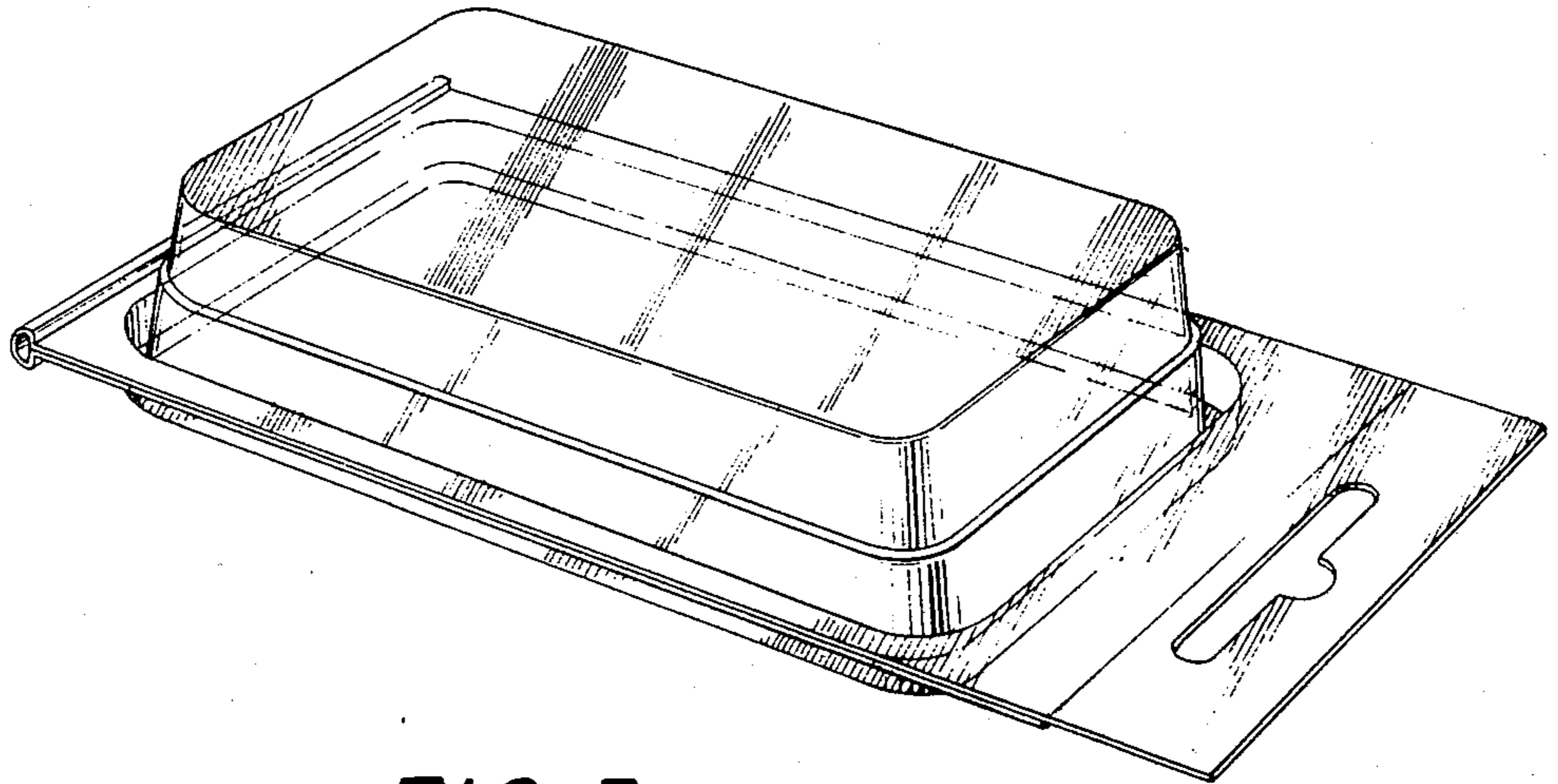


FIG. 3

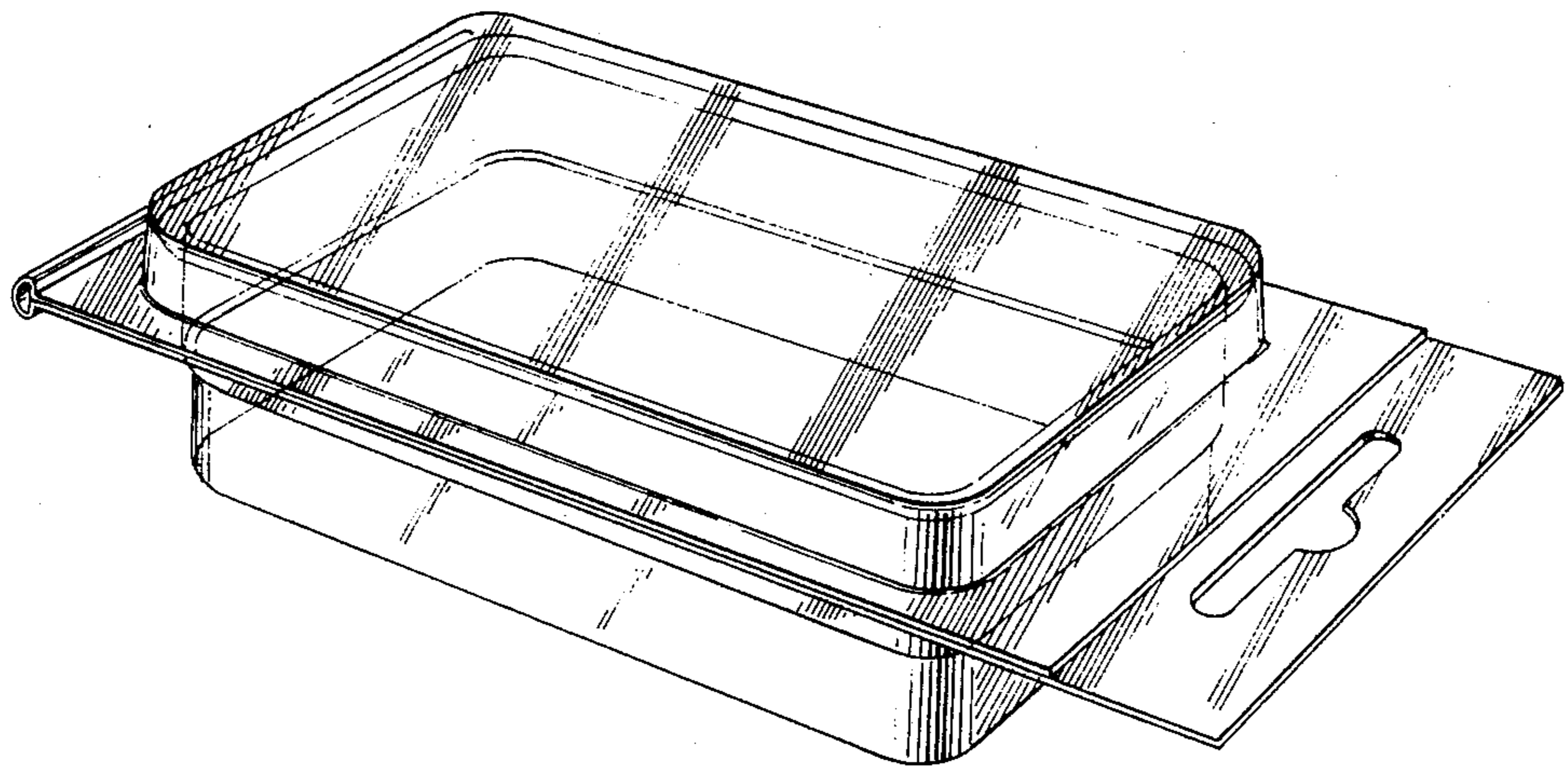


FIG. 4