

[54] HAM FRAME

[75] Inventors: James S. Hardenbergh, Waupaca, Wis.; Curtis L. Knipe, Ames, Iowa; William R. Stuesser, New London, Wis.

[73] Assignee: Sara Lee Corporation, Winston-Salem, N.C.

[**] Term: 14 Years

[21] Appl. No.: 710,405

[22] Filed: Mar. 11, 1985

[52] U.S. Cl. D7/409

[58] Field of Search D7/357, 43, 409; 99/426, 431

[56] References Cited

U.S. PATENT DOCUMENTS

- D. 199,712 12/1964 Elliott D7/409
- D. 277,922 3/1985 Bentson D7/43

- 1,472,205 10/1923 Brunner D7/357 X
- 2,740,349 4/1956 De Gonia 99/426
- 3,188,939 6/1965 Smith D7/409 X
- 3,424,076 1/1969 Bernatz et al. 99/426 X
- 3,613,553 10/1971 Popeil 99/426
- 4,494,453 1/1985 Bentson 99/426 X

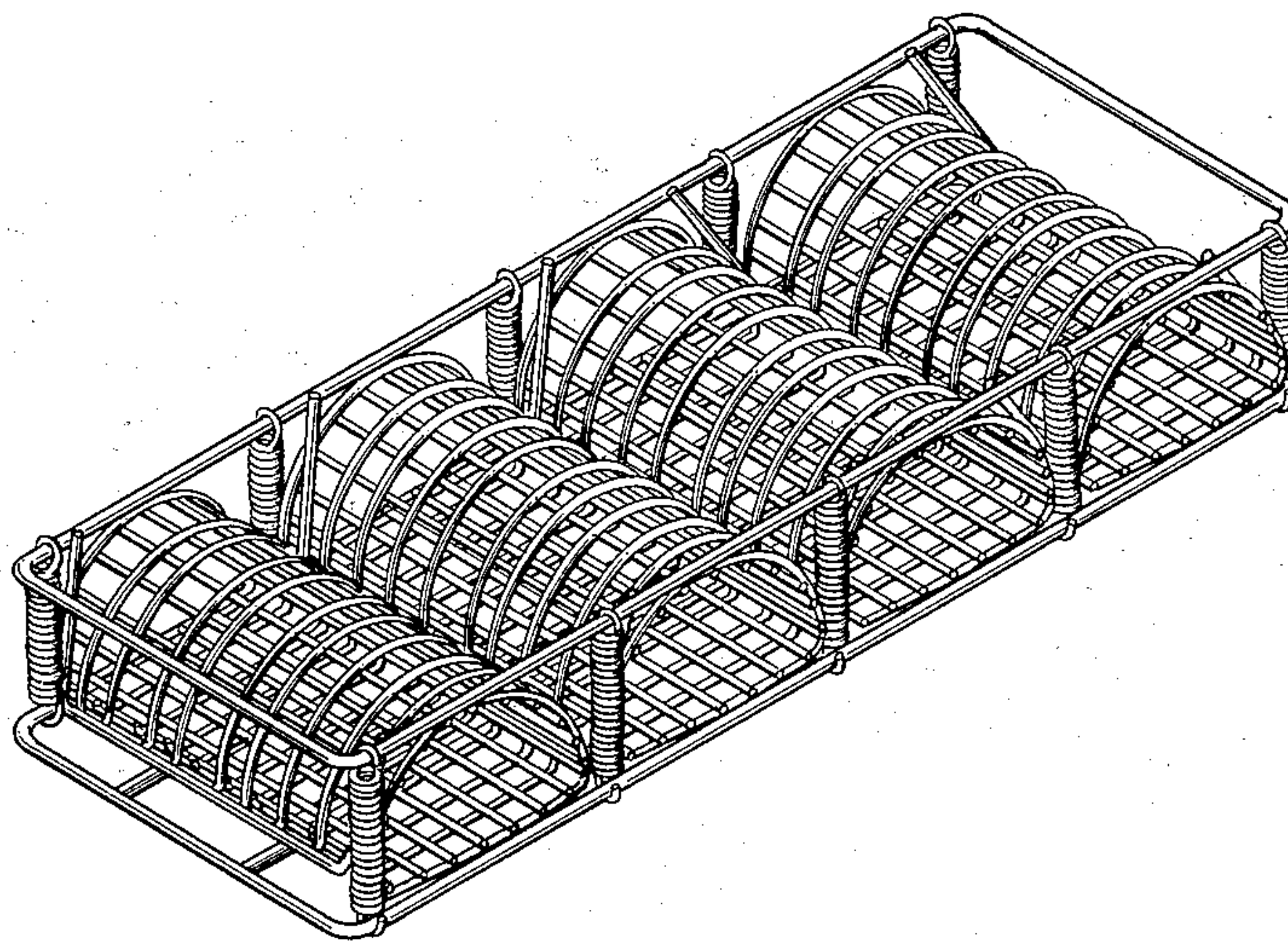
Primary Examiner—Robert C. Spangler
Attorney, Agent, or Firm—Charles Y. Lackey; William S. Burden

[57] CLAIM

The ornamental design for a ham frame, as shown and described.

DESCRIPTION

FIG. 1 is a top front perspective view of a ham frame, showing our new design; FIG. 2 is a top plan view thereof; FIG. 3 is a front elevational view thereof; FIG. 4 is an exploded perspective view thereof; and FIG. 5 is a side elevational view thereof.



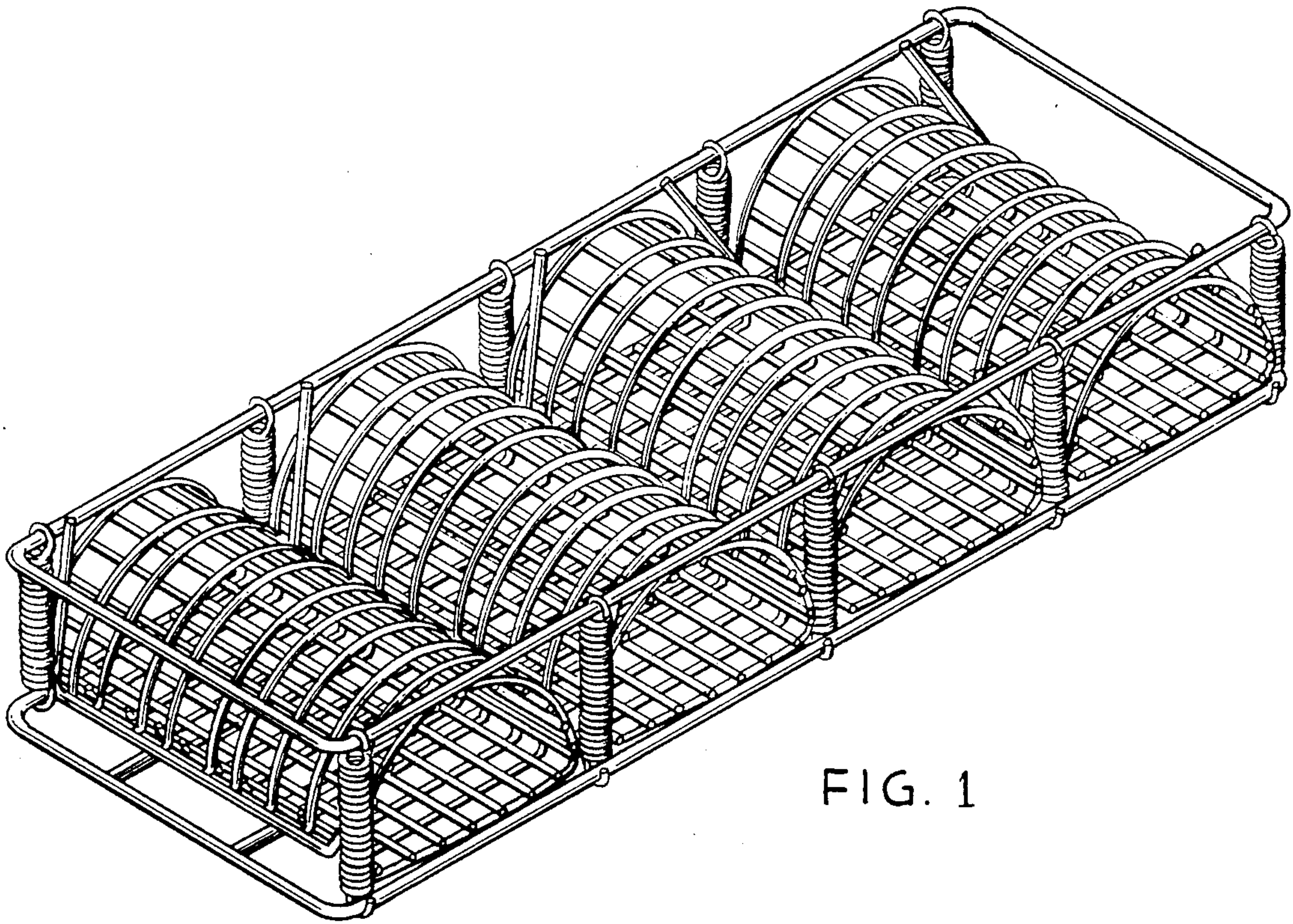


FIG. 1

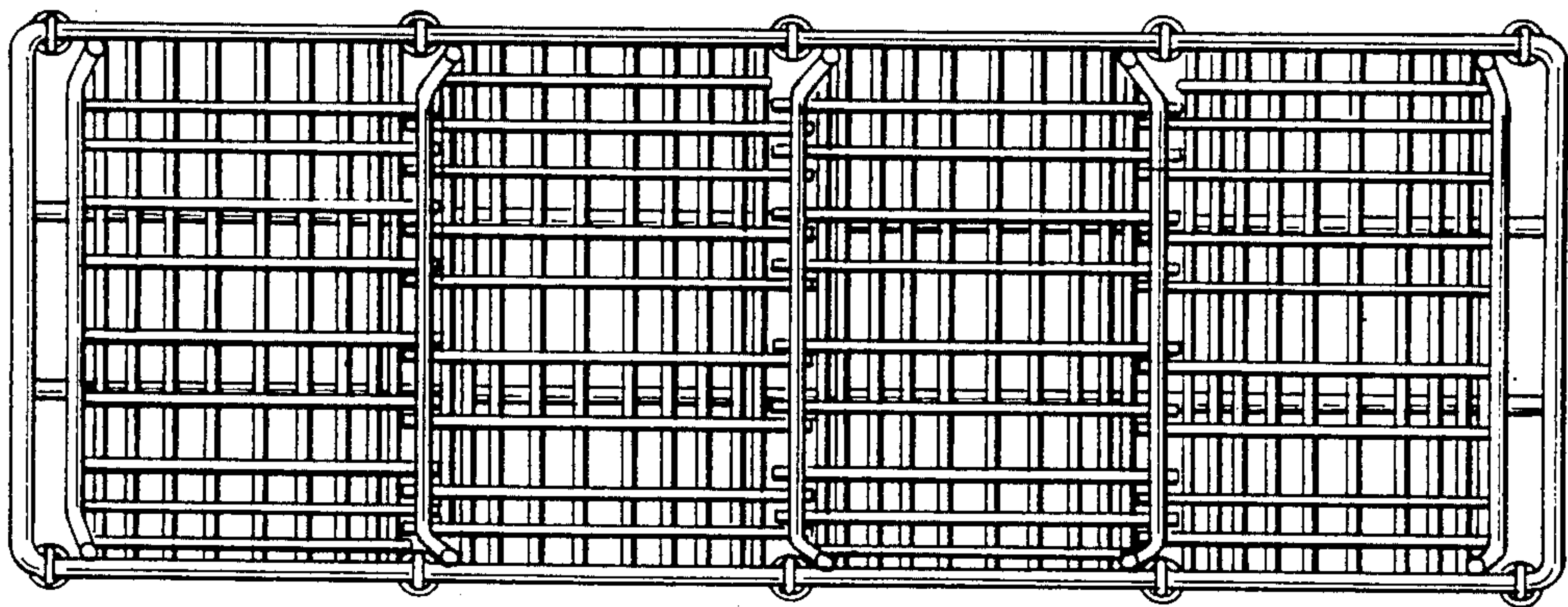


FIG. 2

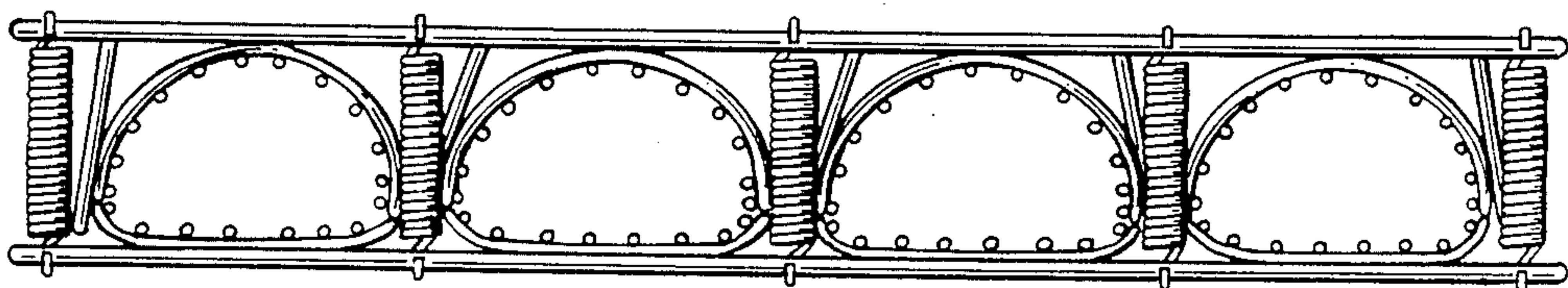


FIG. 3

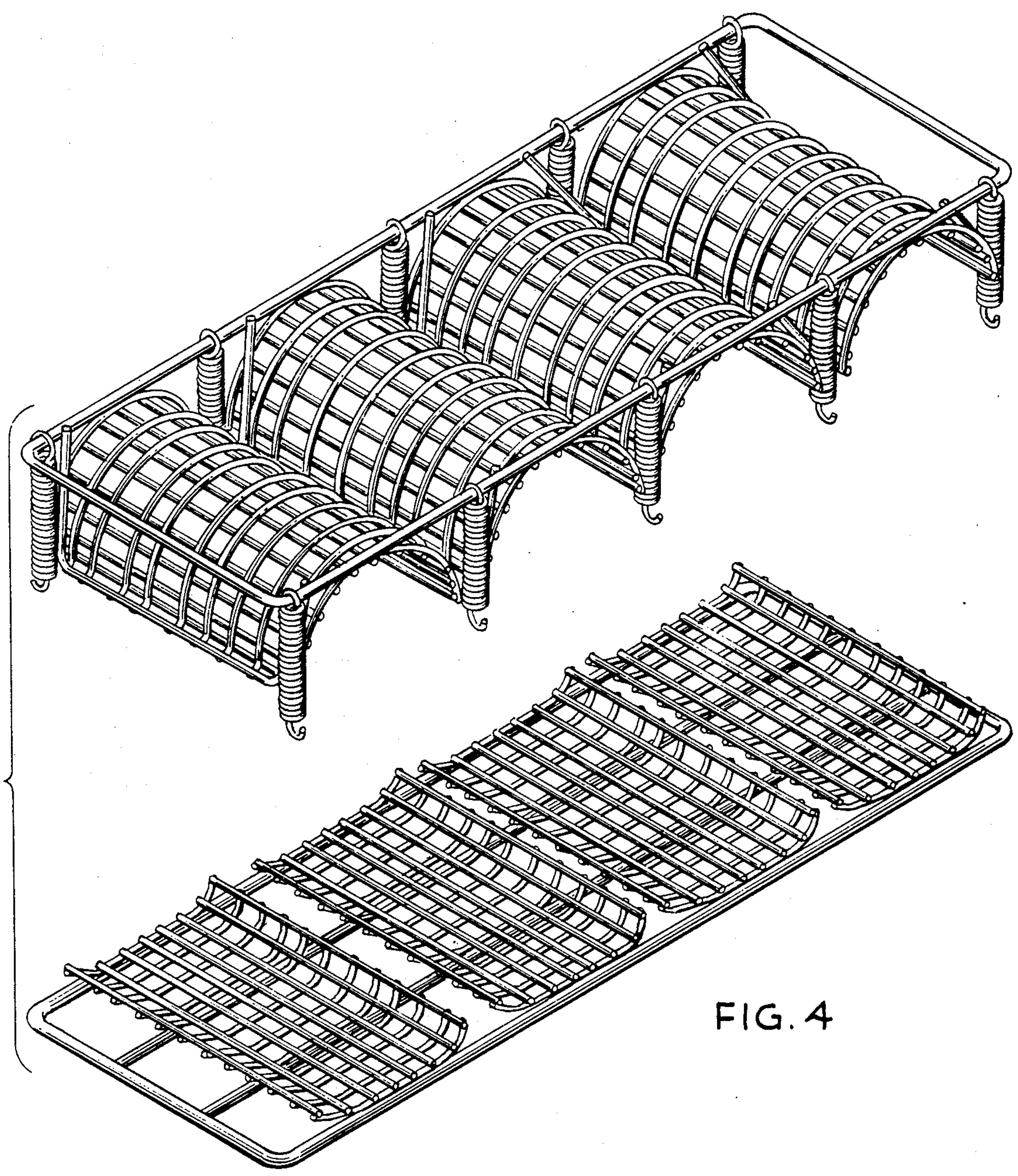


FIG. 4

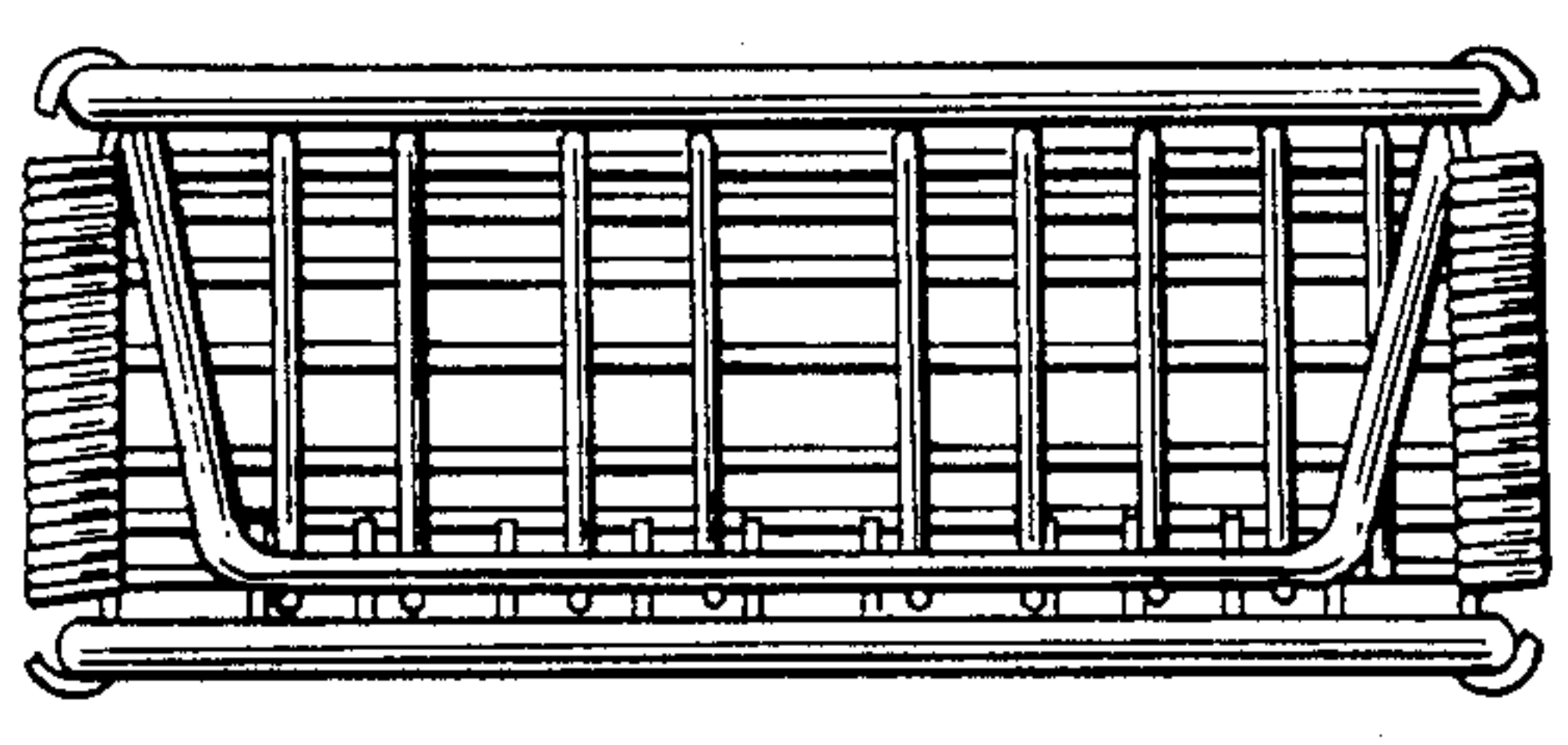


FIG. 5