

[54] WORKTABLE OR SIMILAR ARTICLE

[57] CLAIM

[75] Inventors: Hartmut H. Esslinger, Los Gatos; Barry Wingate, Palo Alto, both of Calif.; Thomas Gingele, Altensteig, Fed. Rep. of Germany

The ornamental design for a worktable or similar article, substantially as shown and described.

[73] Assignee: Frogdesign Hartmut Esslinger Inc., Campbell, Calif.

DESCRIPTION

[\*\*] Term: 14 Years

FIG. 1 is a front perspective view of one embodiment of the worktable or similar article;

[21] Appl. No.: 699,695

FIG. 2 is an enlarged side view of the junction of the legs with a base plate of the worktable or similar article;

[22] Filed: Feb. 8, 1985

FIG. 3 is a front perspective view of another embodiment of the worktable or similar article;

[30] Foreign Application Priority Data

Aug. 9, 1984 [DE] Fed. Rep. of Germany ..... 5MR88

[52] U.S. Cl. .... D6/484; D6/422

[58] Field of Search ..... D6/422, 423, 424, 425, D6/426, 427, 428, 480, 484, 483, 511; 108/50, 3, 6, 8, 17, 59, 62, 64, 65, 67, 68, 69

FIG. 4 is a front perspective view of a modified version of the worktable or similar article of FIG. 1 having an add shelf extension;

FIG. 5 is a front perspective view of a modified version of the worktable or similar article of FIG. 1 having an added shelf extension;

[56] References Cited

U.S. PATENT DOCUMENTS

- D. 239,488 4/1976 Sandefor ..... D6/428
- D. 241,214 8/1976 Szucs ..... D6/428
- D. 266,463 10/1982 Scott ..... D6/420 X
- D. 276,199 11/1984 Kwiecinski et al. .... D6/426 X
- D. 281,297 11/1985 Esslinger ..... D6/484
- D. 284,532 7/1986 Vogt ..... D6/480 X

FIG. 6 is an enlarged front perspective view of a modified version of a portion of the worktable or similar article of FIG. 1 having an added shelf extension;

FIG. 7 is an enlarged rear perspective view of a modified version of a portion of the worktable or similar article of FIG. 1 having an added shelf extension;

FIG. 8 is a rear perspective view of a modified version of the worktable or similar article of FIG. 1 having an added shelf extension;

FIG. 9 is an end view of a modified version of the worktable or similar article of FIG. 1 having an added shelf extension;

OTHER PUBLICATIONS

Fidelity catalog for 1983, p. 48, item A, Table.  
The Office, Jan. 1981, p. 243, Table bottom left, Marvel Metal adv.

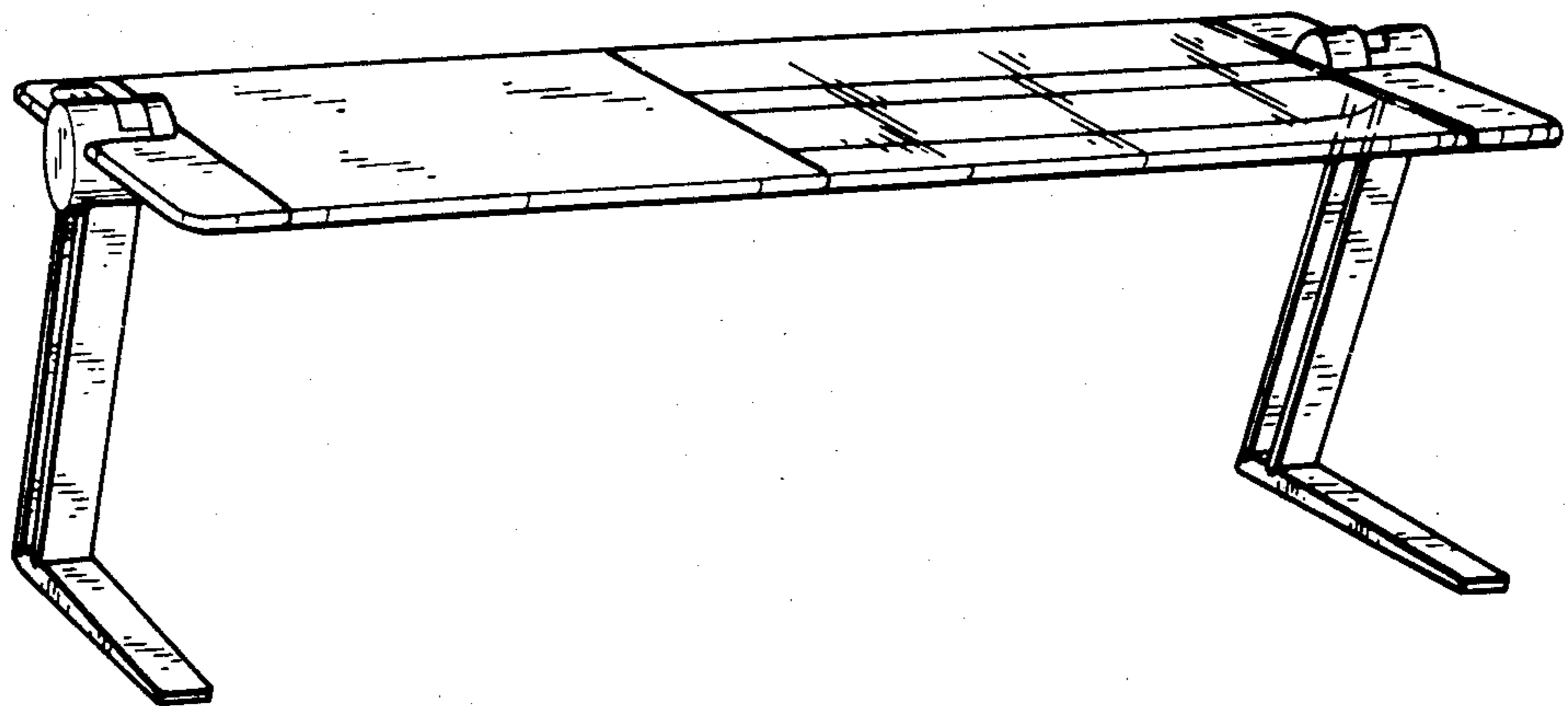
FIG. 10 is a front perspective view of a modified version of the worktable or similar article of FIG. 1 having an added adjustable lamp;

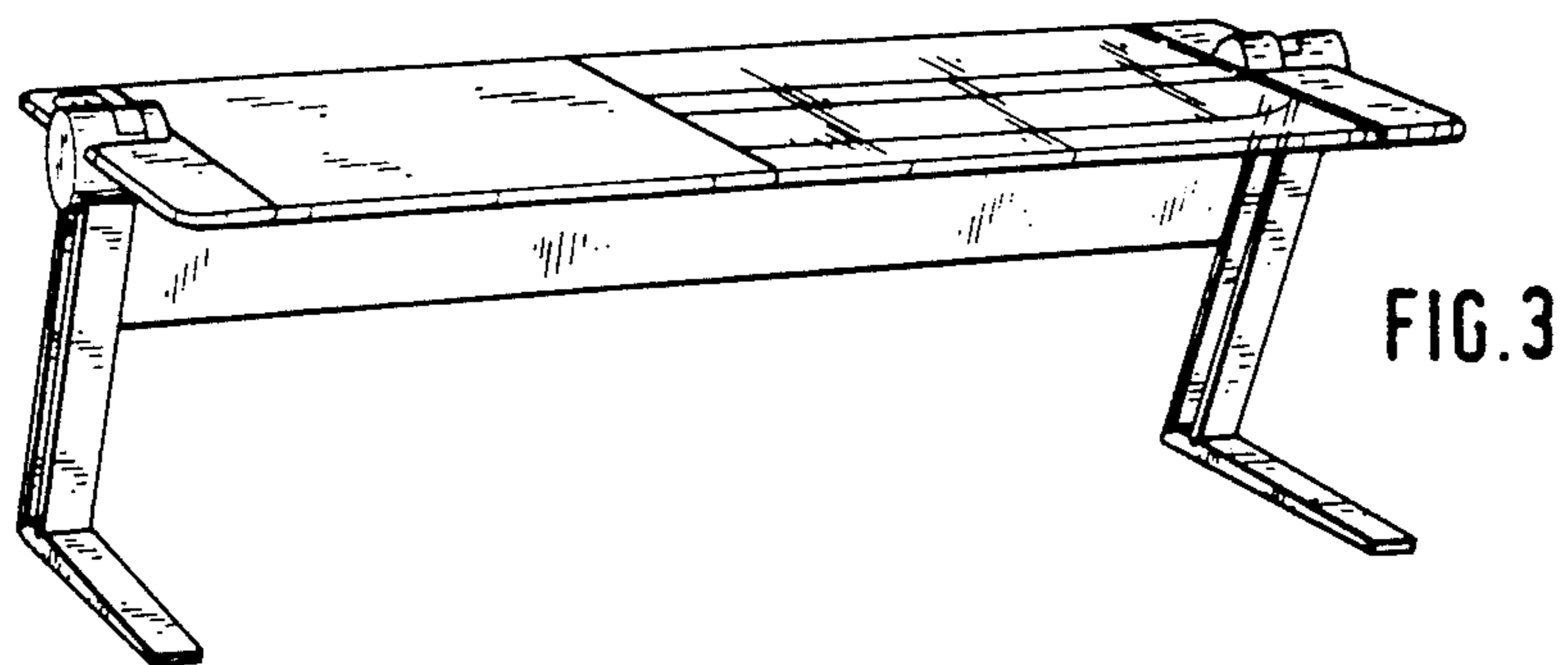
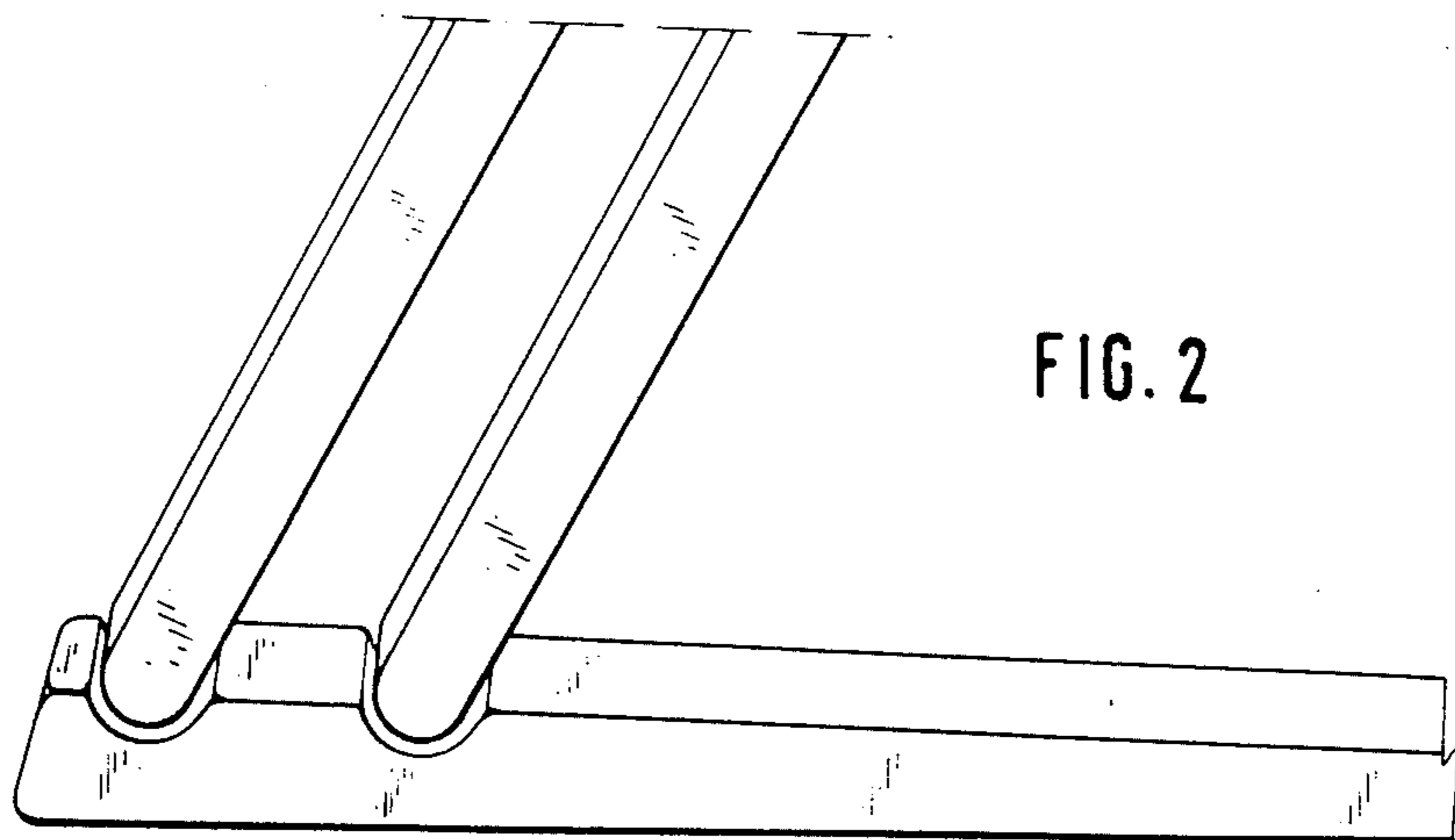
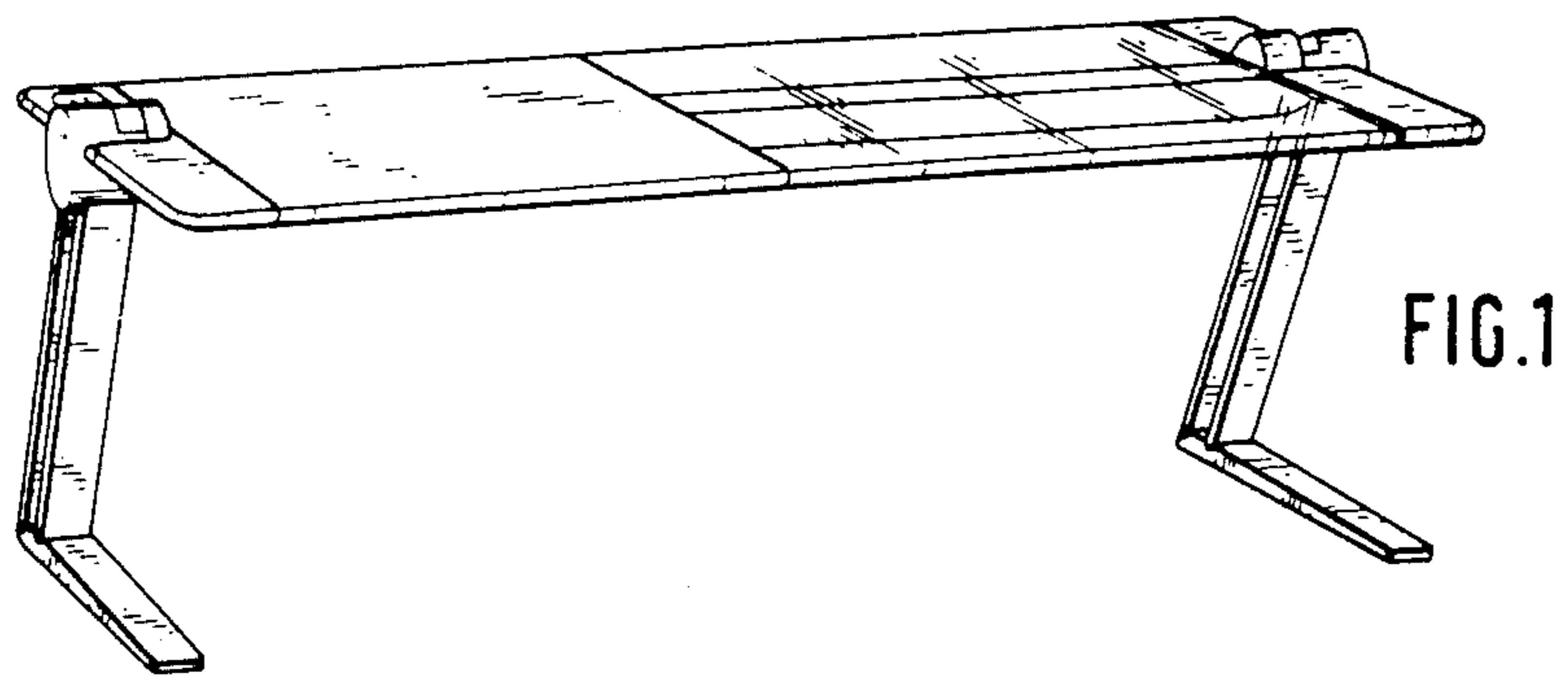
FIG. 11 is a front perspective view of a modified version of the worktable or similar article of FIG. 1 having an added adjustable lamp and an added shelf extension;

FIG. 12 is an enlarged front perspective view of a modified version of the worktable or similar article of FIG. 1 having an added adjustable lamp; and

FIG. 13 is an end view of a modified version of the worktable or similar article of FIG. 1 having an added adjustable lamp and an added shelf extension.

Primary Examiner—Bruce W. Dunkins  
Attorney, Agent, or Firm—Thomas W. Speckman





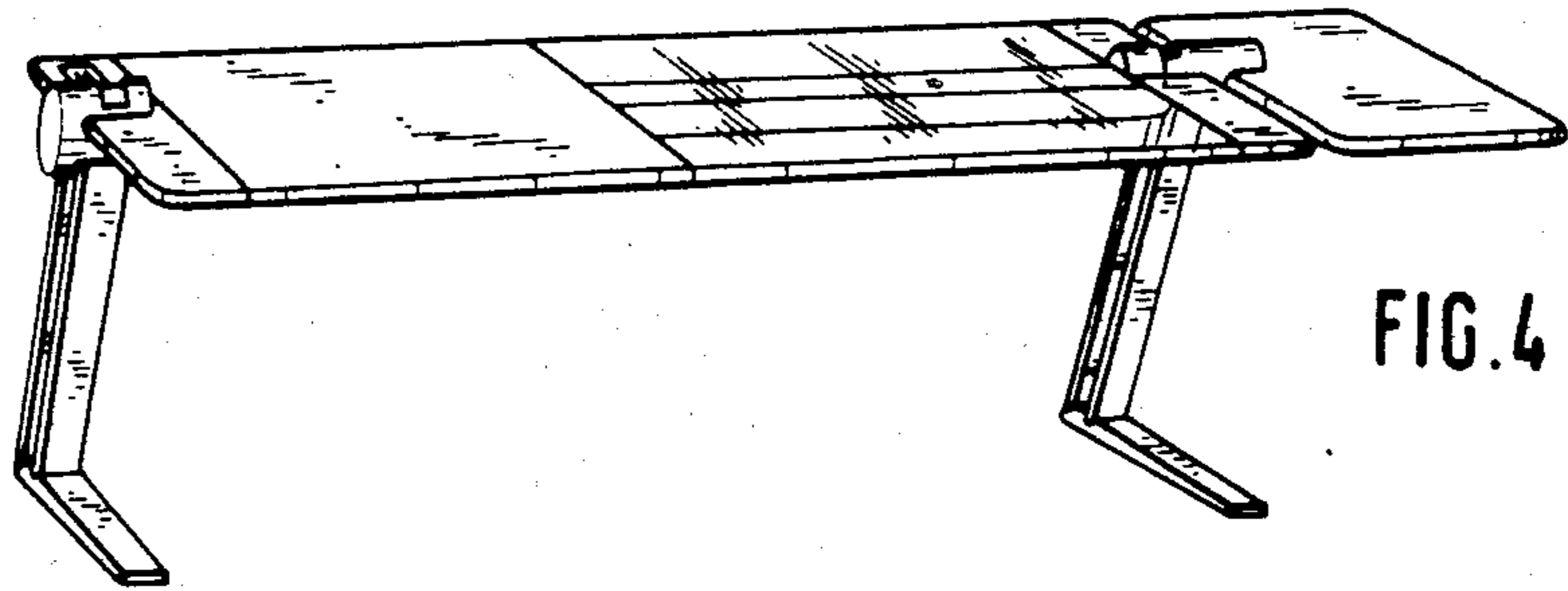


FIG. 4

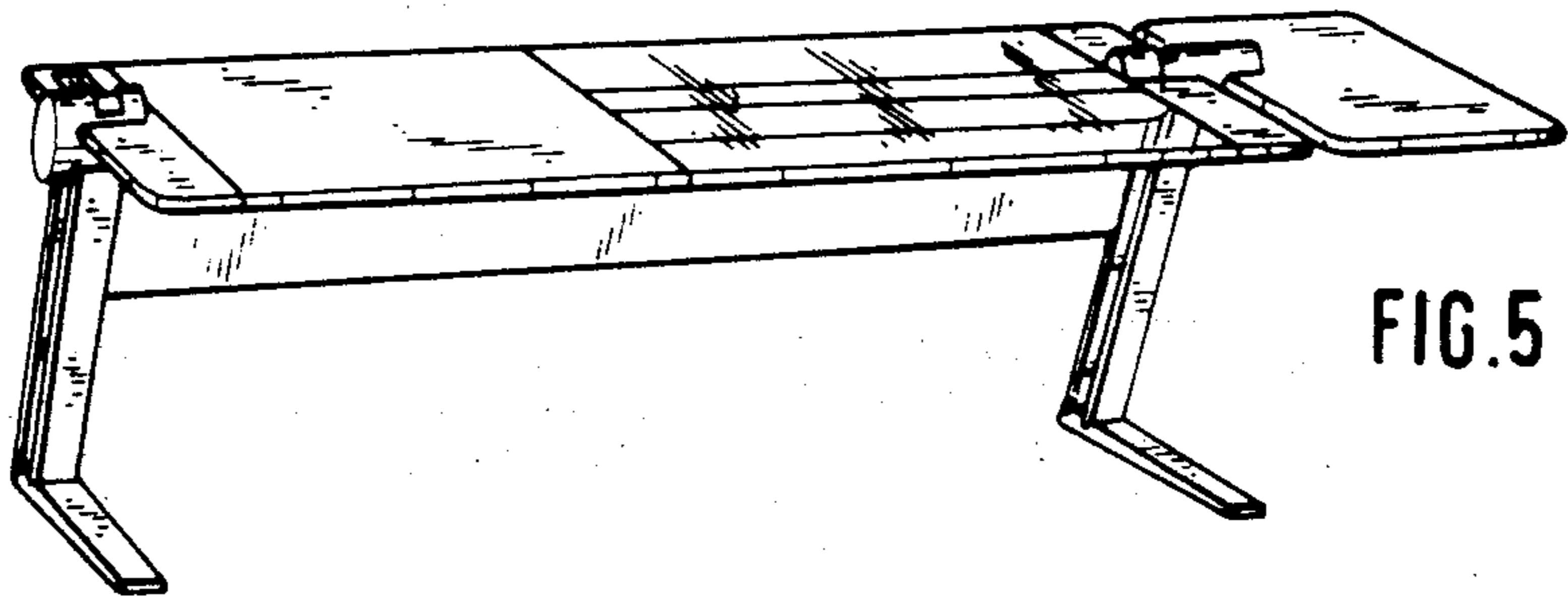


FIG. 5

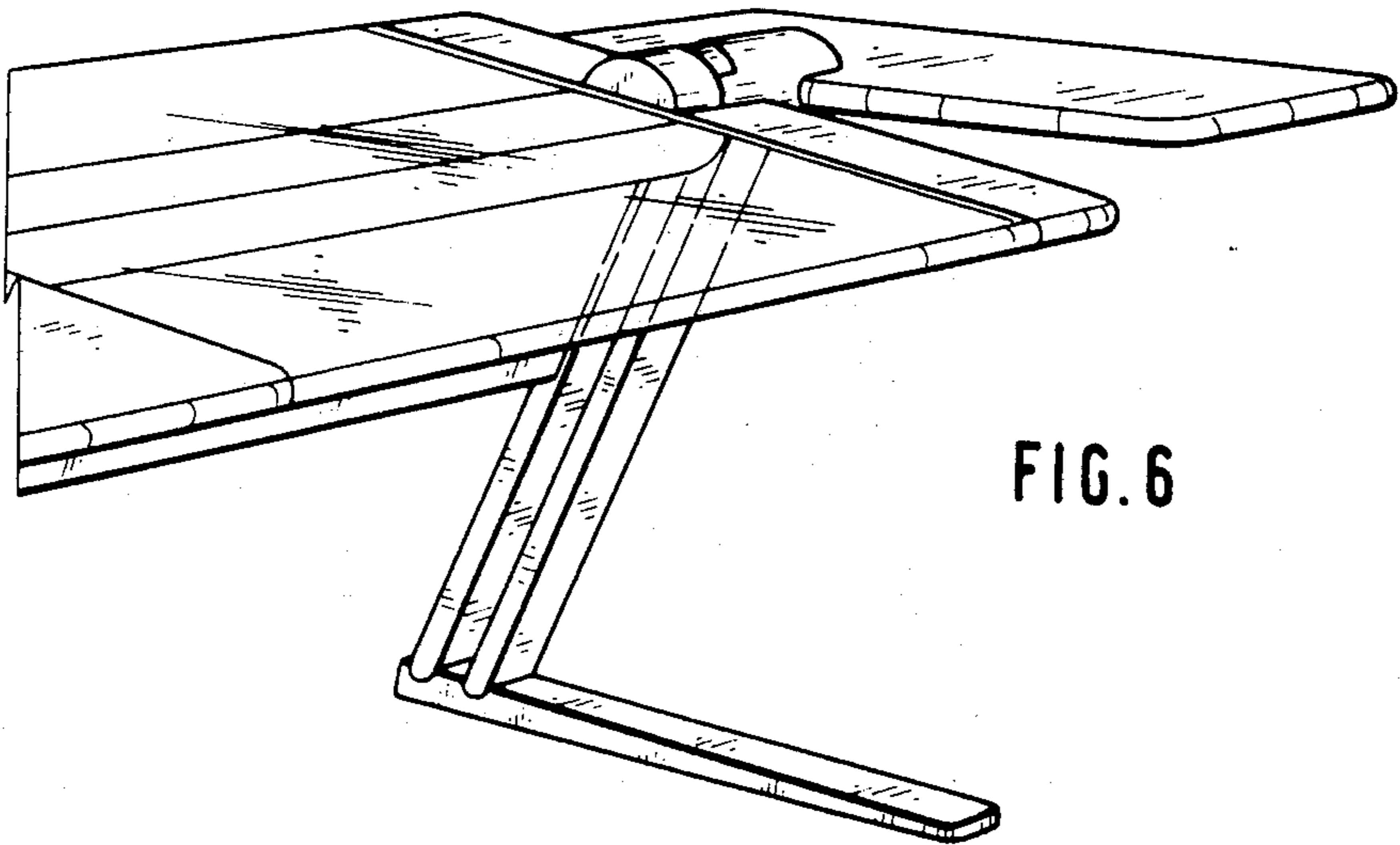


FIG. 6

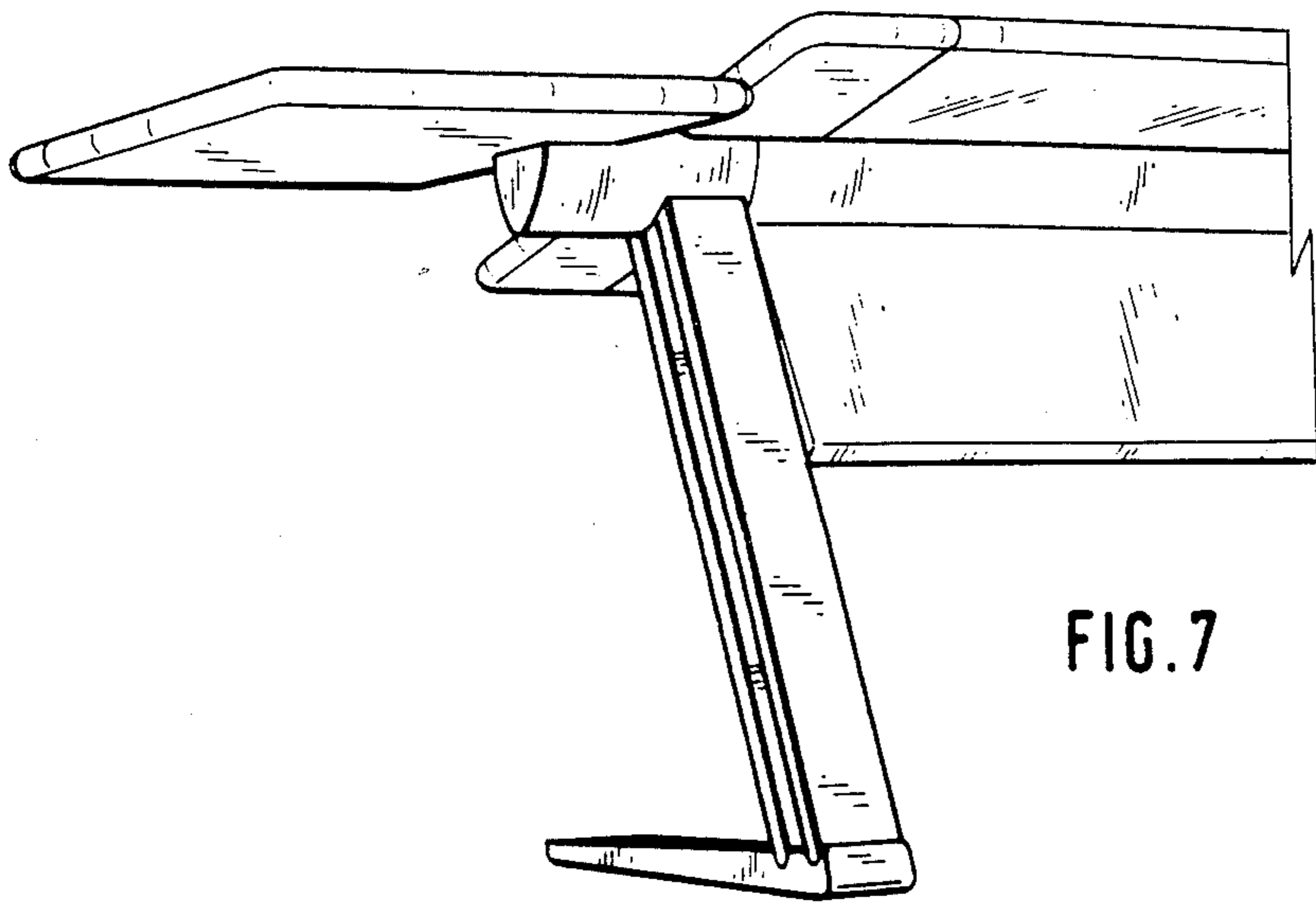


FIG. 7

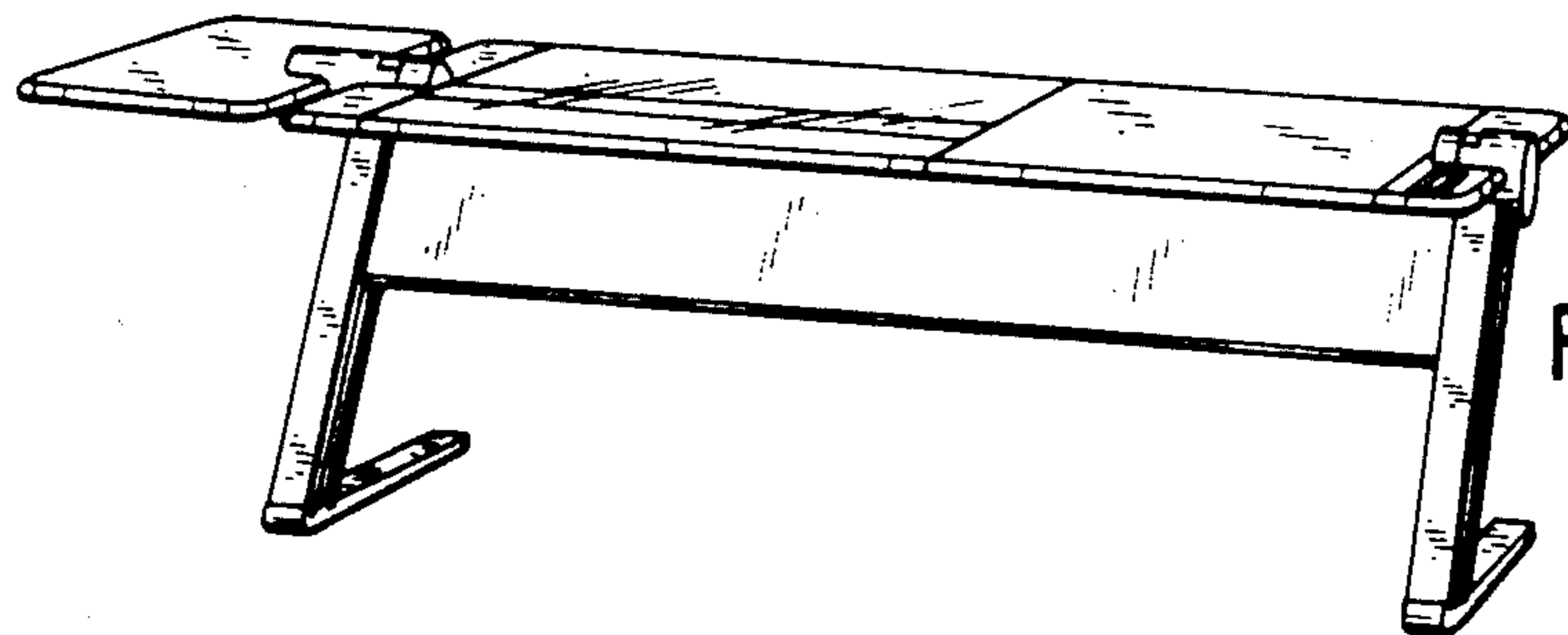


FIG. 8

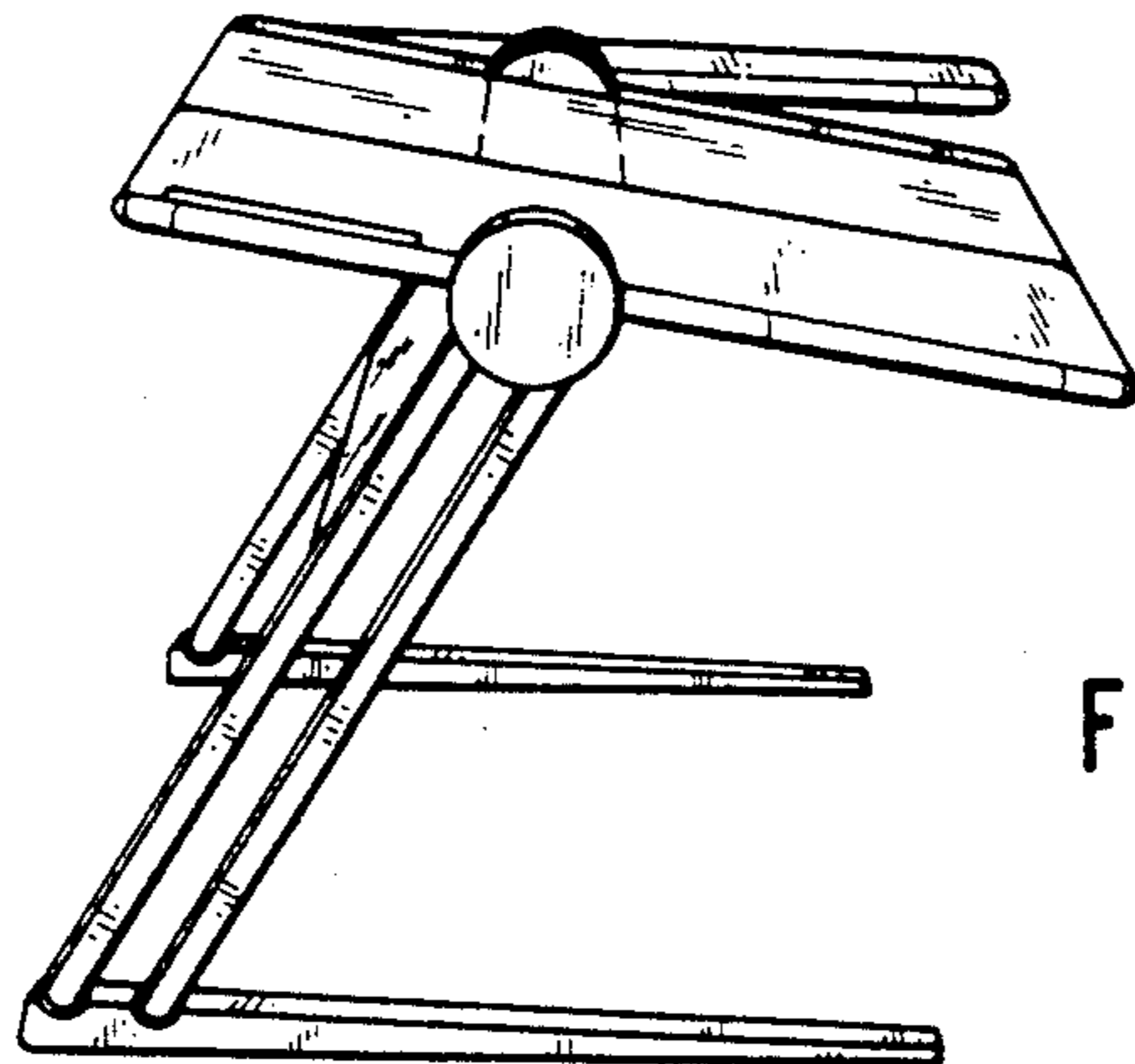


FIG. 9



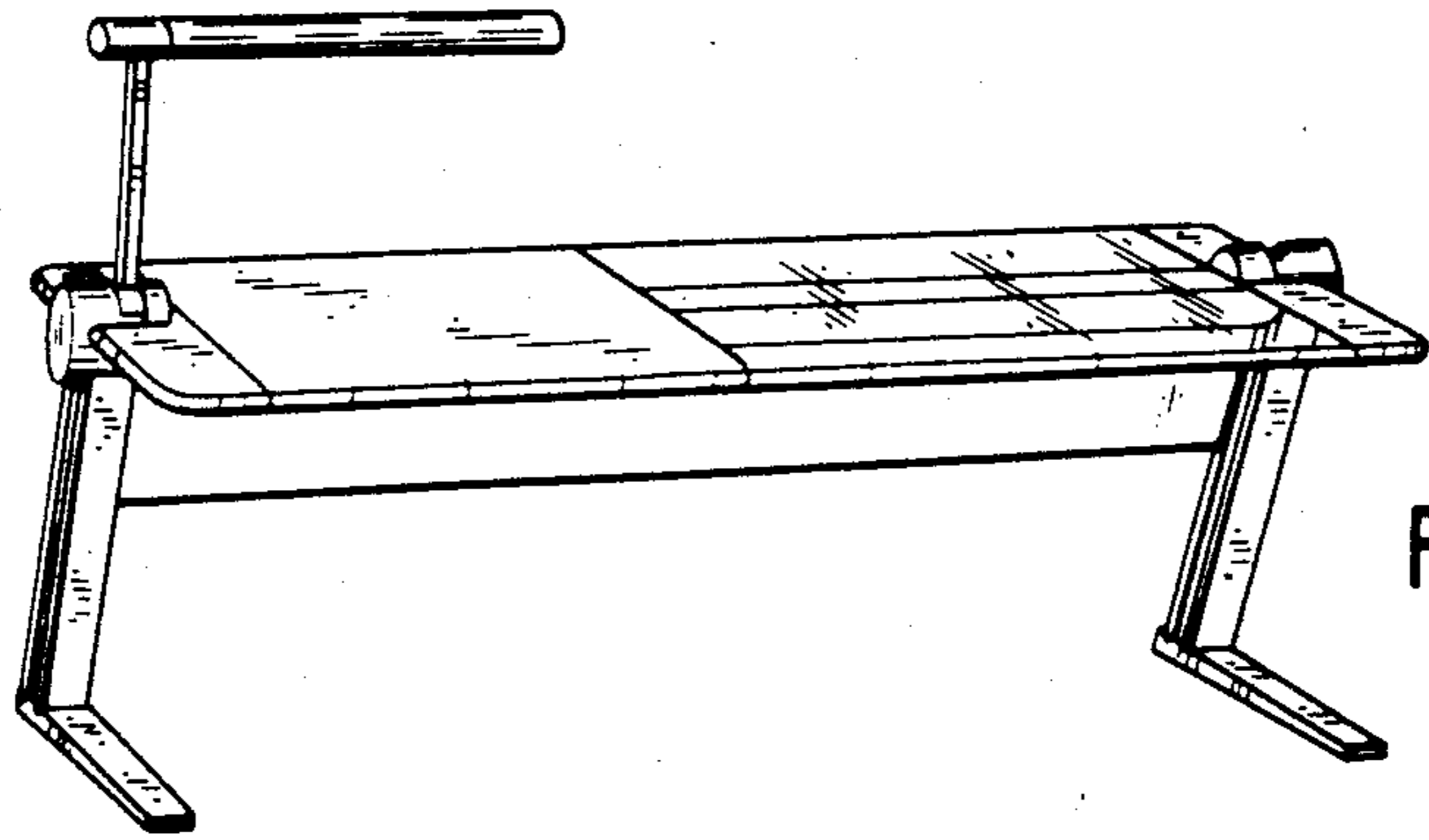


FIG. 10

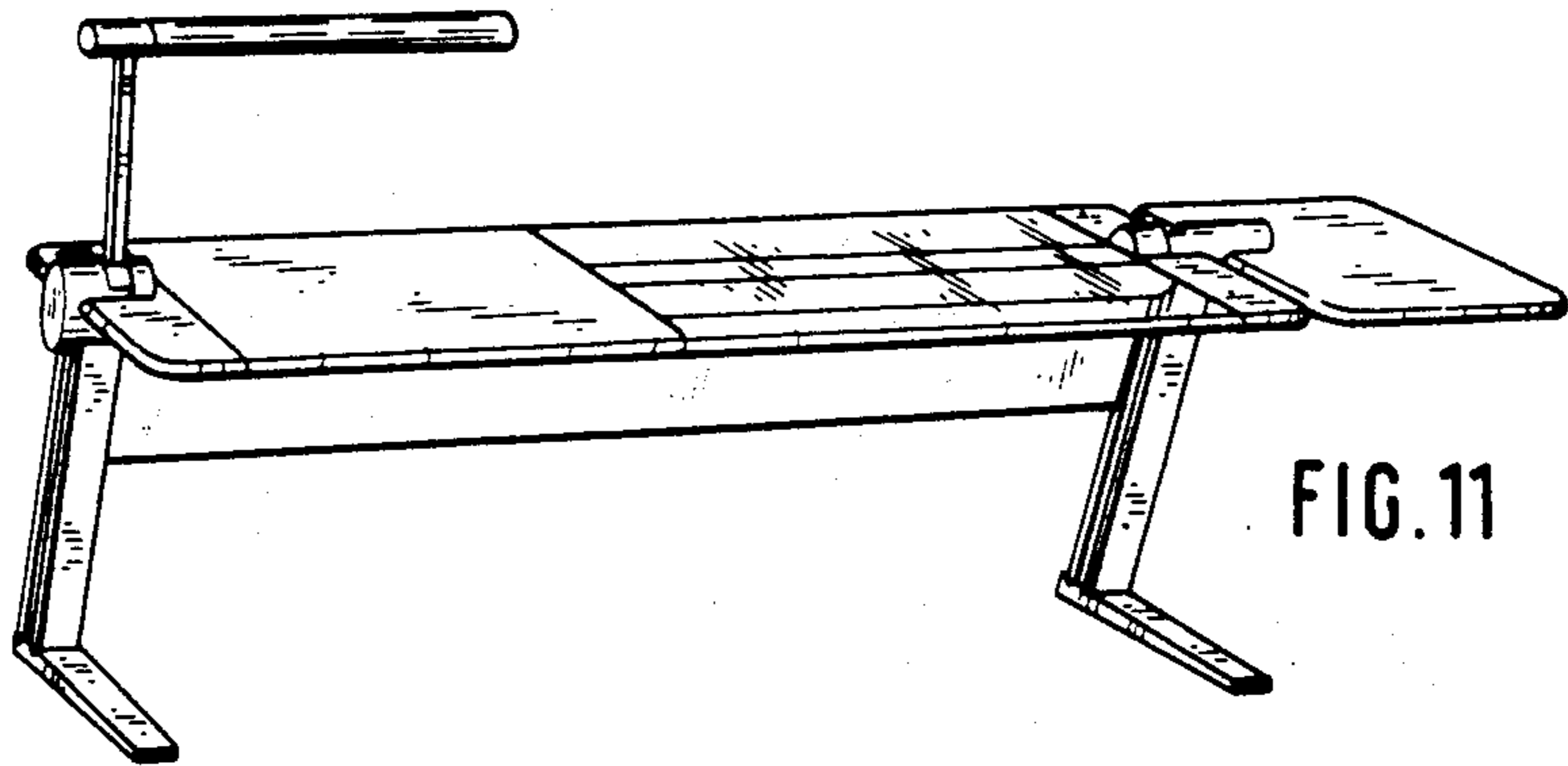


FIG. 11

