

[54] **STAND FOR PRINTERS AND COMPUTERS**

[76] **Inventor: Beverly C. Rich, 111 W. Timonium Rd., Timonium, Md. 21093**

[**] **Term: 14 Years**

[21] **Appl. No.: 718,475**

[22] **Filed: Apr. 1, 1985**

[52] **U.S. Cl. D6/462**

[58] **Field of Search D6/449, 462; 211/13, 211/181; 248/175**

[56] **References Cited**

U.S. PATENT DOCUMENTS

2,461,374 2/1949 Custer 248/175 X
3,984,074 10/1976 Forman et al. 248/175 X

FOREIGN PATENT DOCUMENTS

675077 7/1952 United Kingdom 248/175
675078 7/1952 United Kingdom 248/175

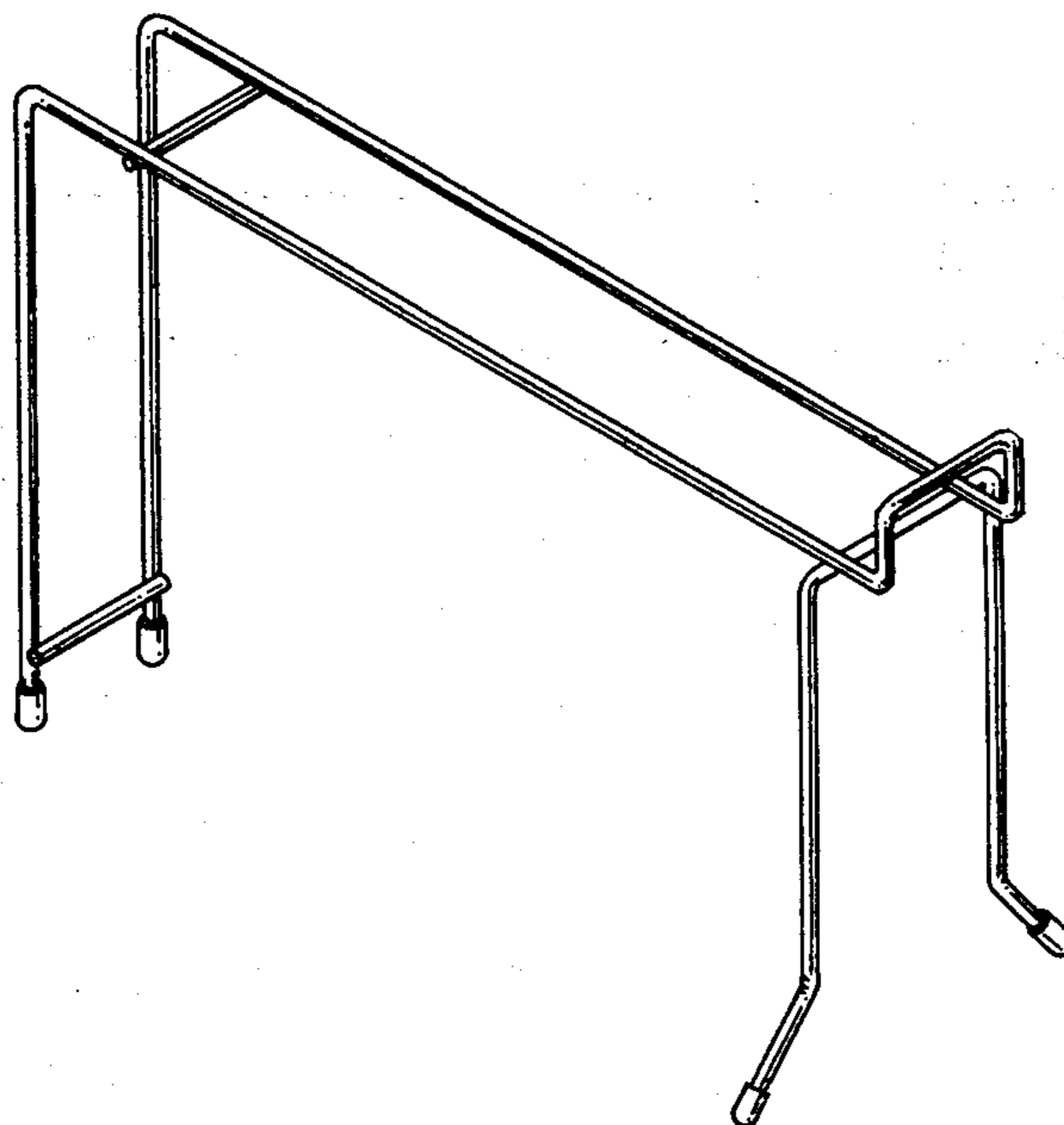
Primary Examiner—Carmen H. Vales
Attorney, Agent, or Firm—Walter G. Finch

[57] **CLAIM**

The ornamental design for a stand for printers and computers, as shown and described.

DESCRIPTION

FIG. 1 is a perspective view of a stand for printers and computers showing my new design;
FIG. 2 is a top plan view thereof;
FIG. 3 is a rear elevational view thereof; and
FIG. 4 is a side elevational view thereof.



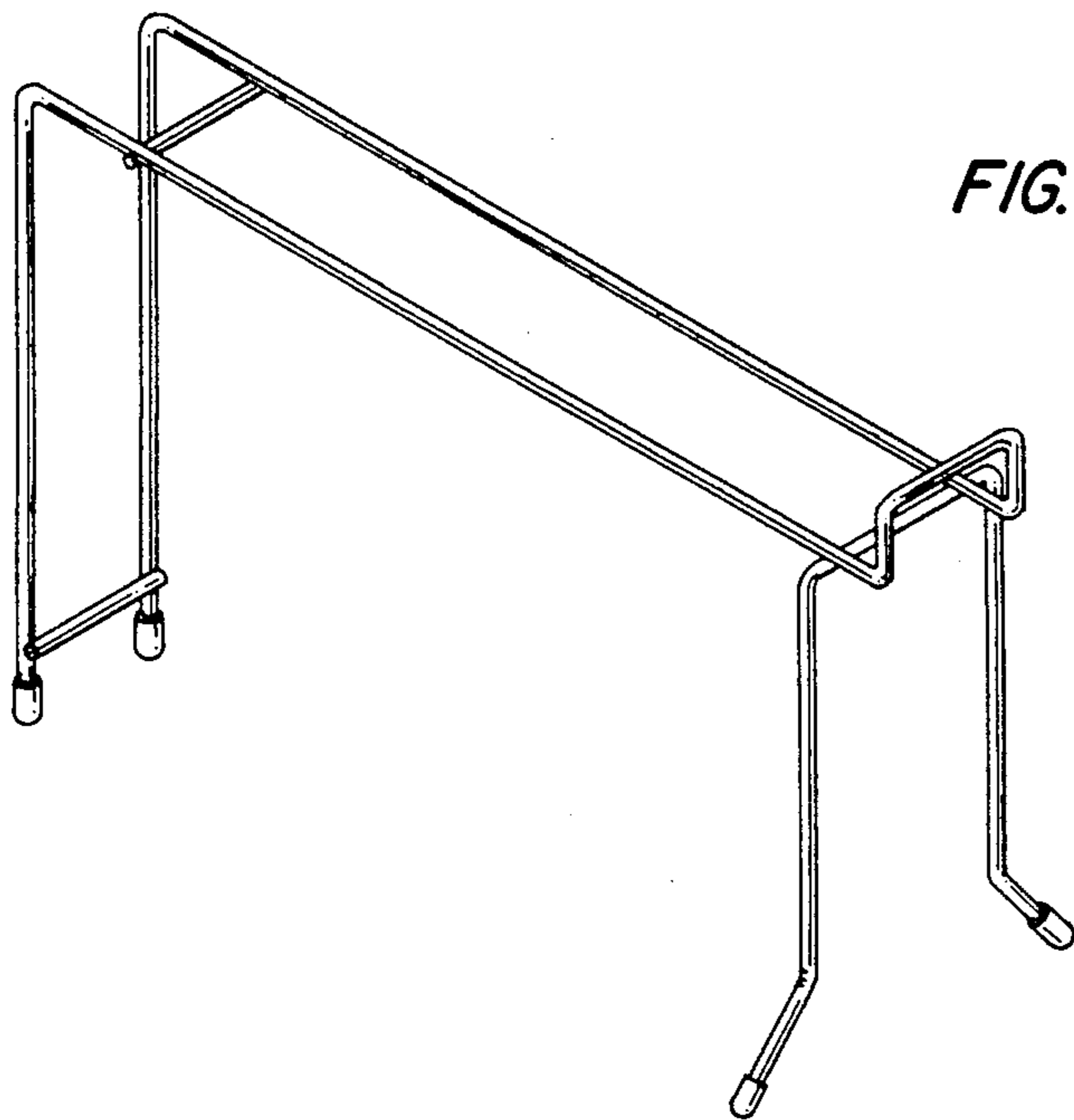


FIG. 1.

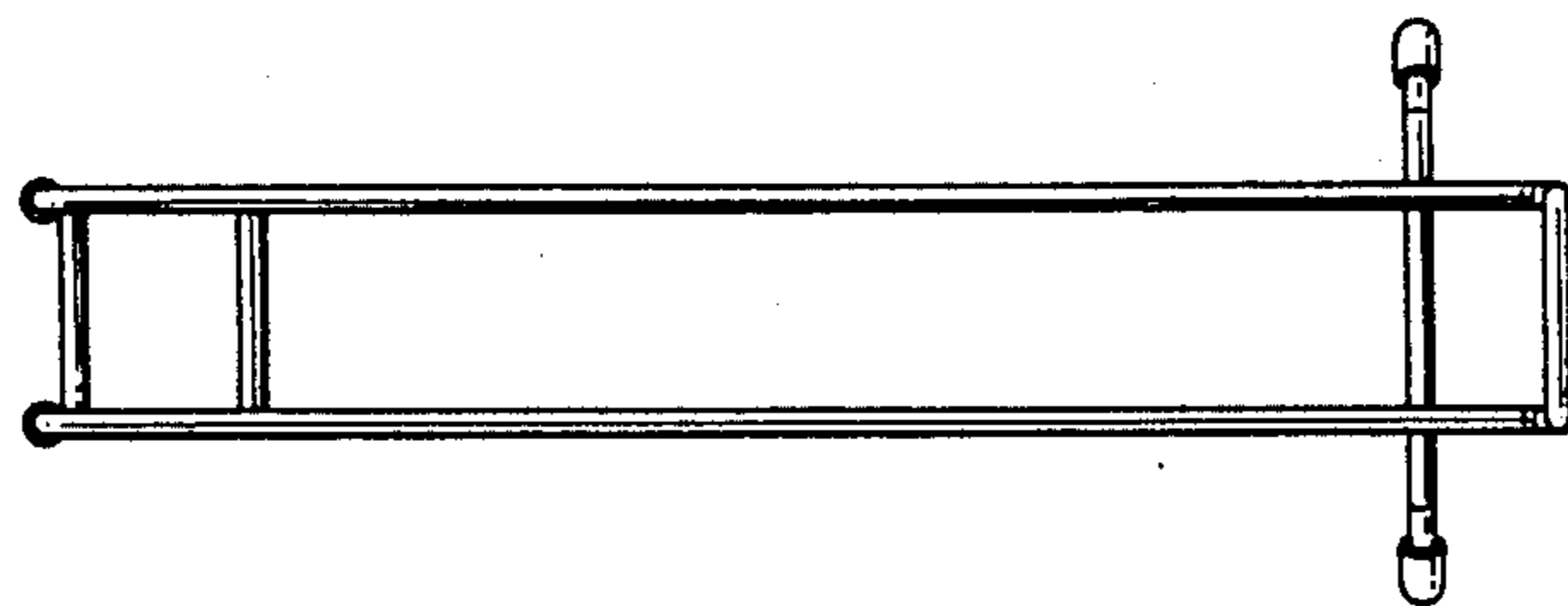


FIG. 2.

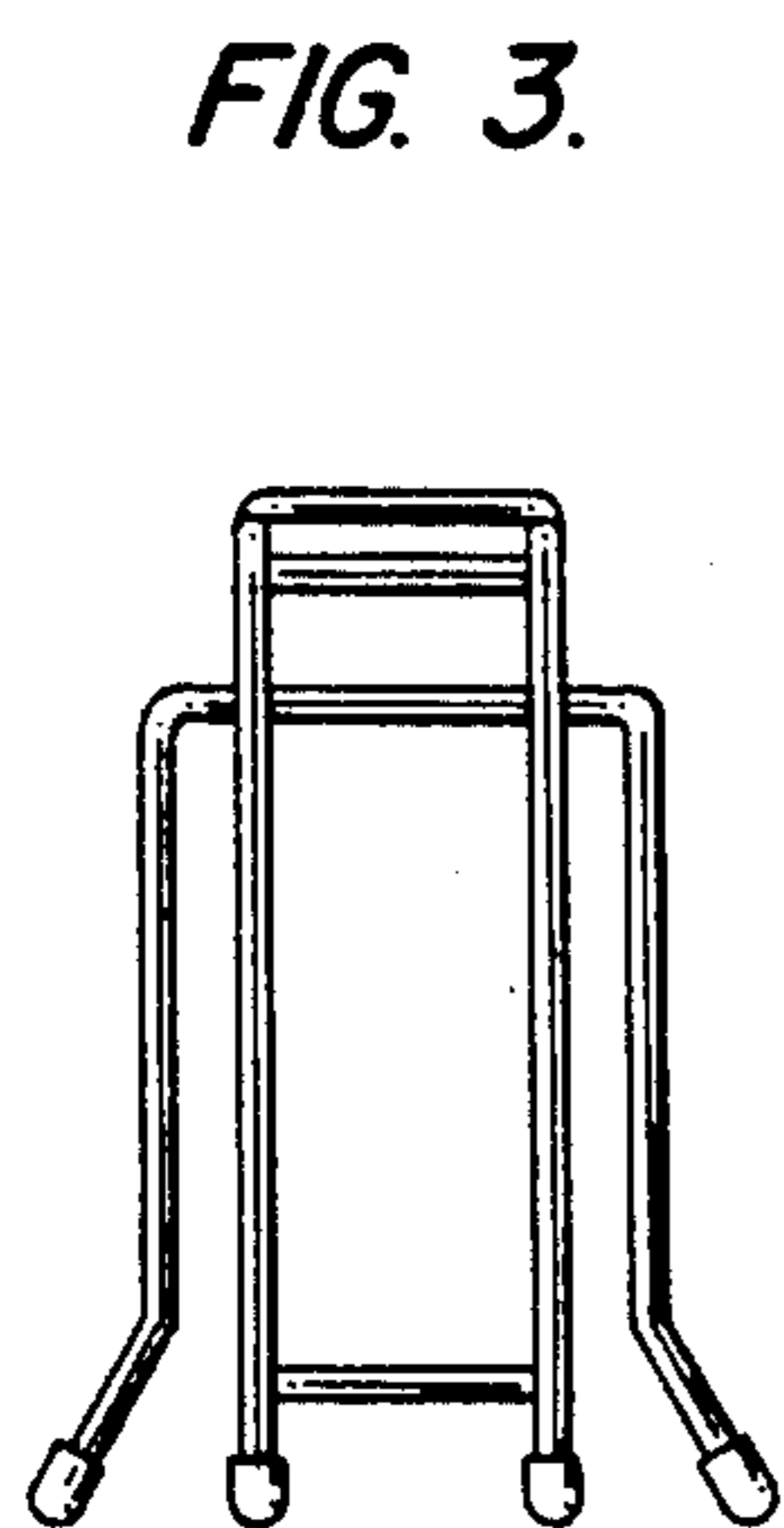


FIG. 3.

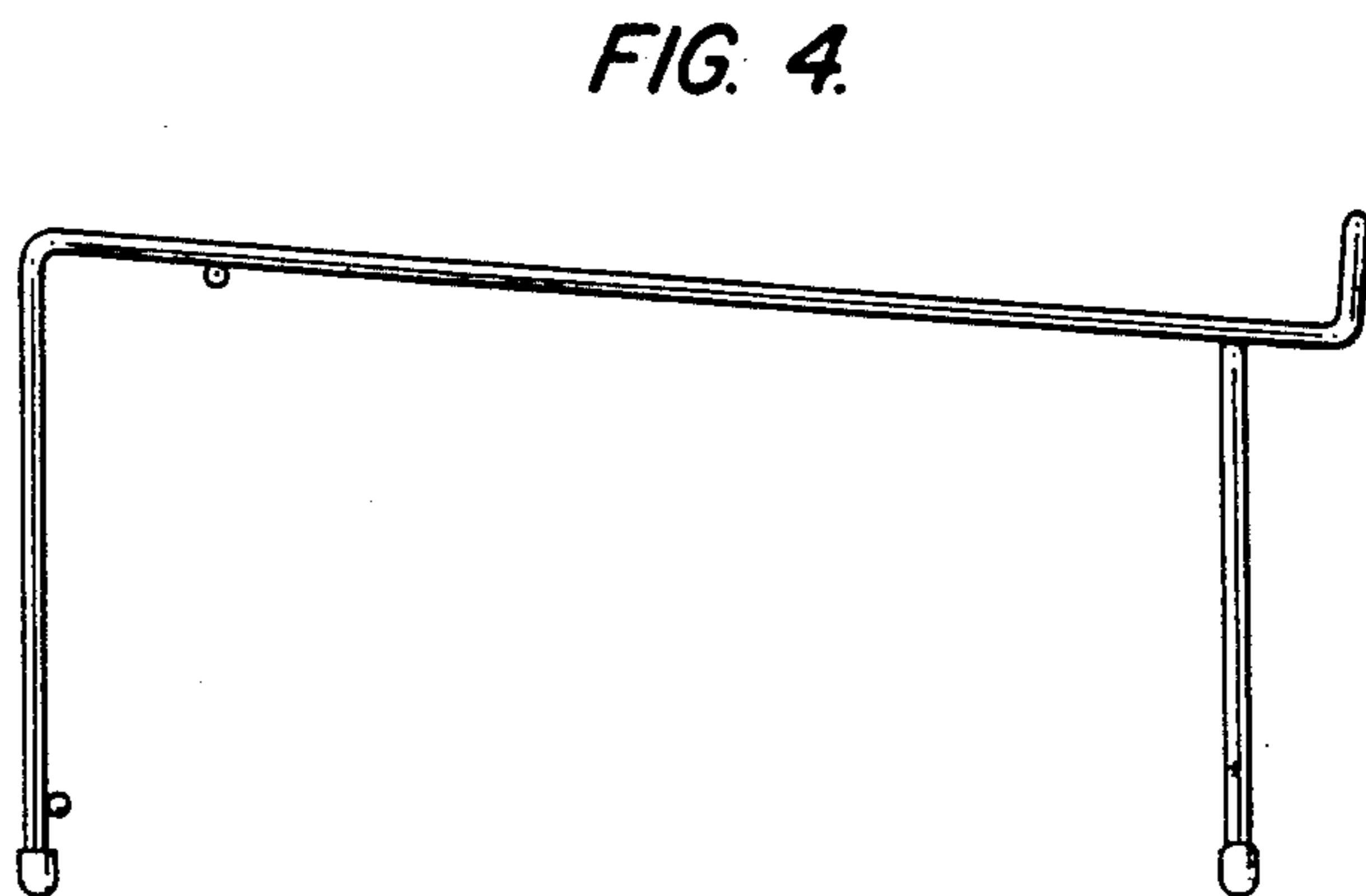


FIG. 4.