

[54] TABLE

[76] Inventor: Violetta Williamson, 1423 Easton Ave., Bethlehem, Pa. 18018

[**] Term: 14 Years

[21] Appl. No.: 705,440

[22] Filed: Feb. 25, 1985

[52] U.S. Cl. D6/451; D6/486

[58] Field of Search D6/450, 451, 484, 485, D6/488, 490; D7/5, 23, 31

[56] References Cited

U.S. PATENT DOCUMENTS

D. 171,475	2/1954	Yarger	D6/485
D. 227,966	7/1973	Duern et al.	D6/485 X
D. 230,929	3/1974	Wang	D7/7 X
D. 242,411	11/1976	Walker	D6/451
D. 280,368	9/1985	Crespi	D6/486 X

OTHER PUBLICATIONS

Retailing Home Furnishings, Jan. 3, 1938, Section 1, p. 84, Dinning Table.

House & Garden, Jan. 1967, p. 84, Inset Table right center.

Knoll Associates brochure, ©1962, p. 14, Table left foreground.

Primary Examiner—Bruce W. Dunkins

Attorney, Agent, or Firm—Ruth Moyerman

[57] CLAIM

The ornamental design for a table, as shown and described.

DESCRIPTION

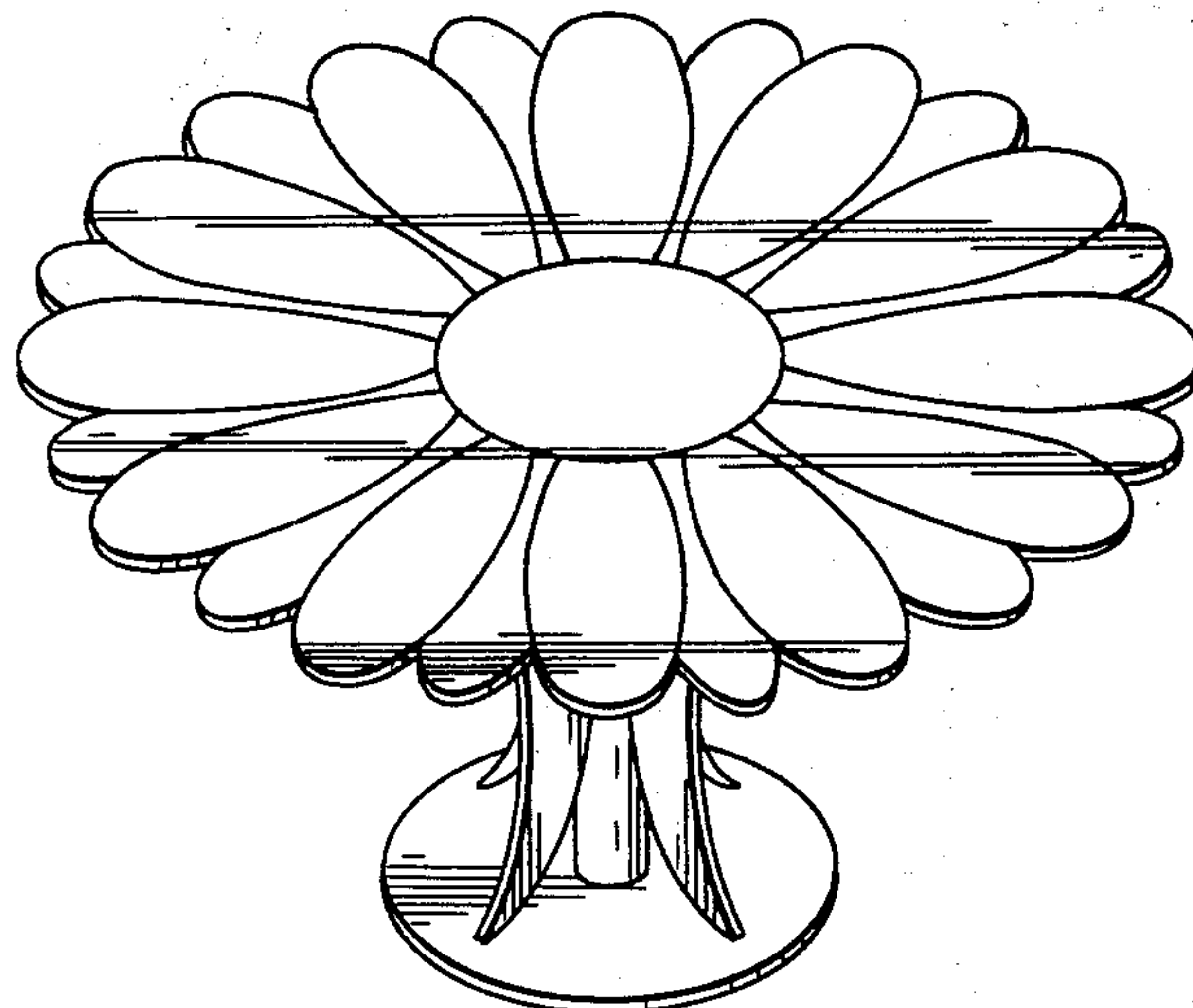
FIG. 1 is a perspective view of a table showing my design;

FIG. 2 is a top plan view;

FIG. 3 is a bottom plan view;

FIG. 4 is a side elevational view of the table; and

FIG. 5 is a side elevational view wherein the table has been rotated 90° with respect to FIG. 4.



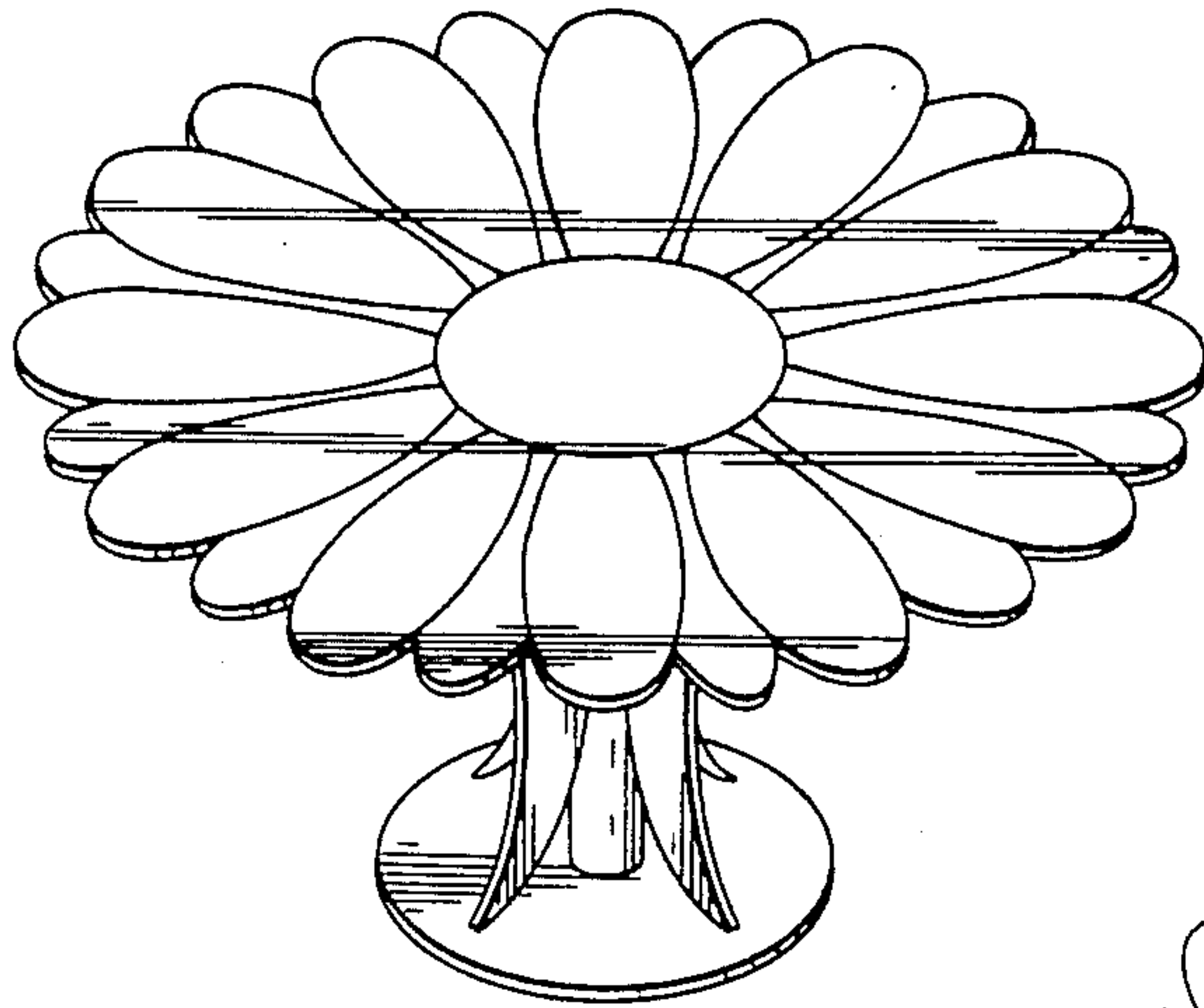


FIG. 1

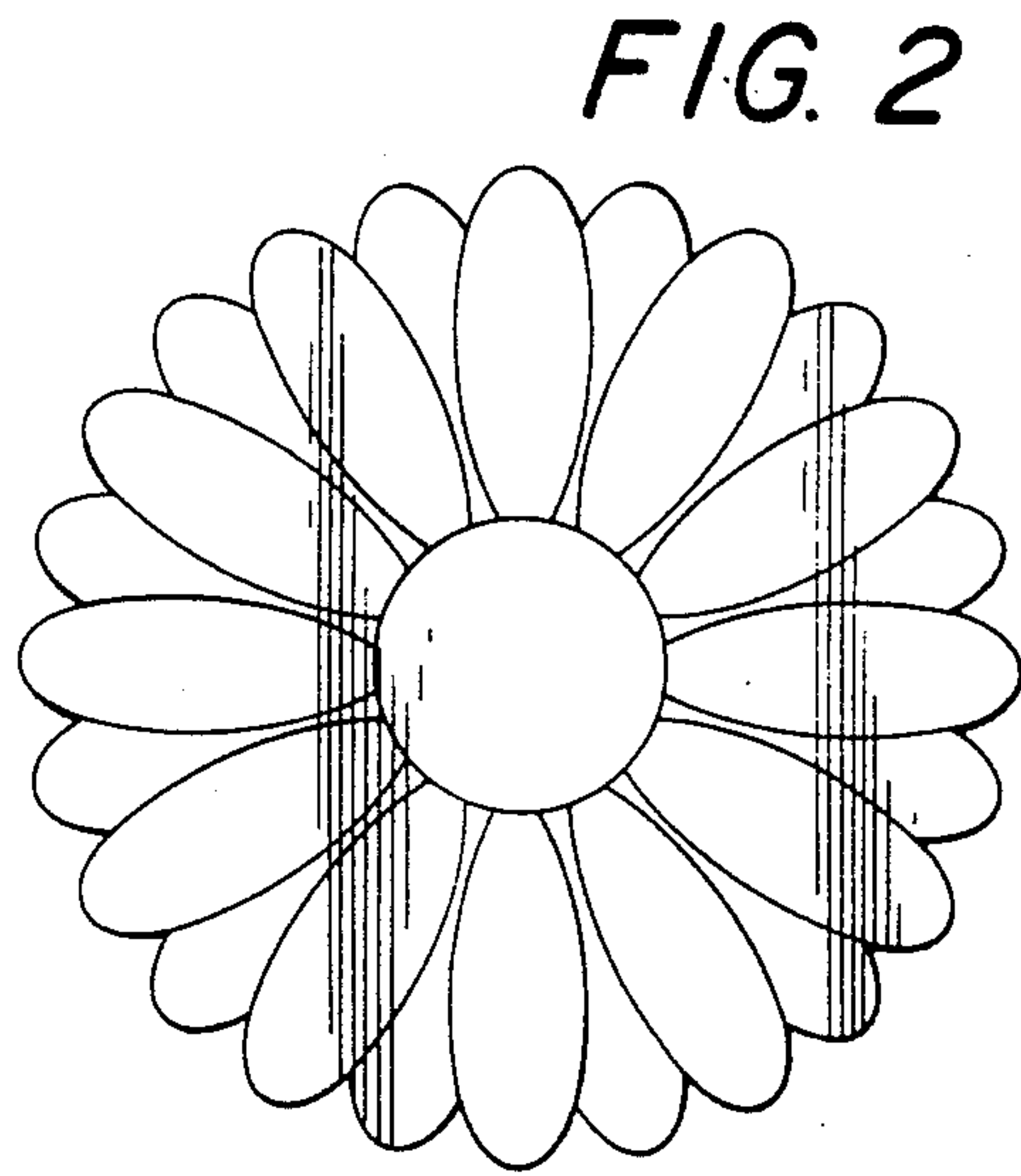


FIG. 2

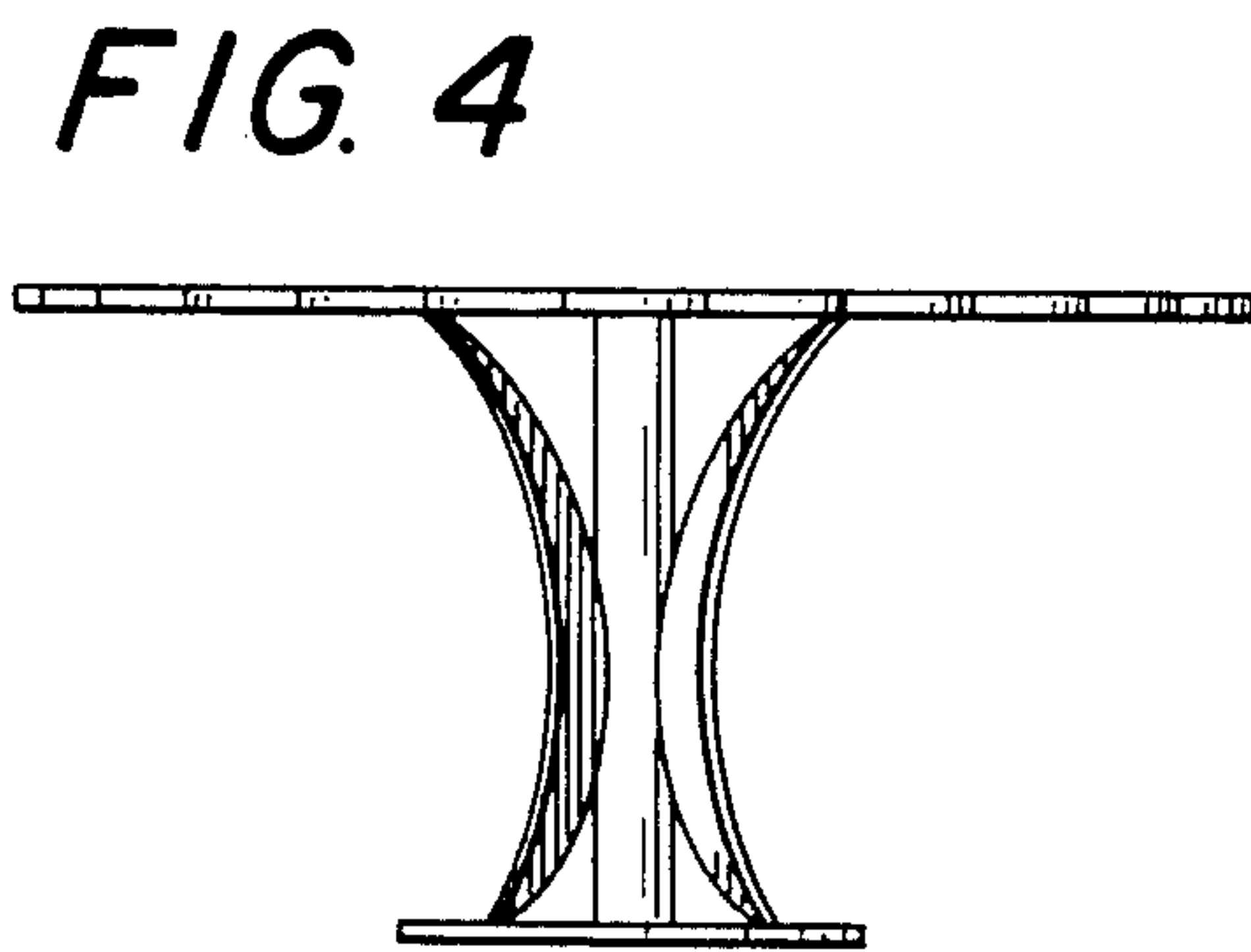


FIG. 4

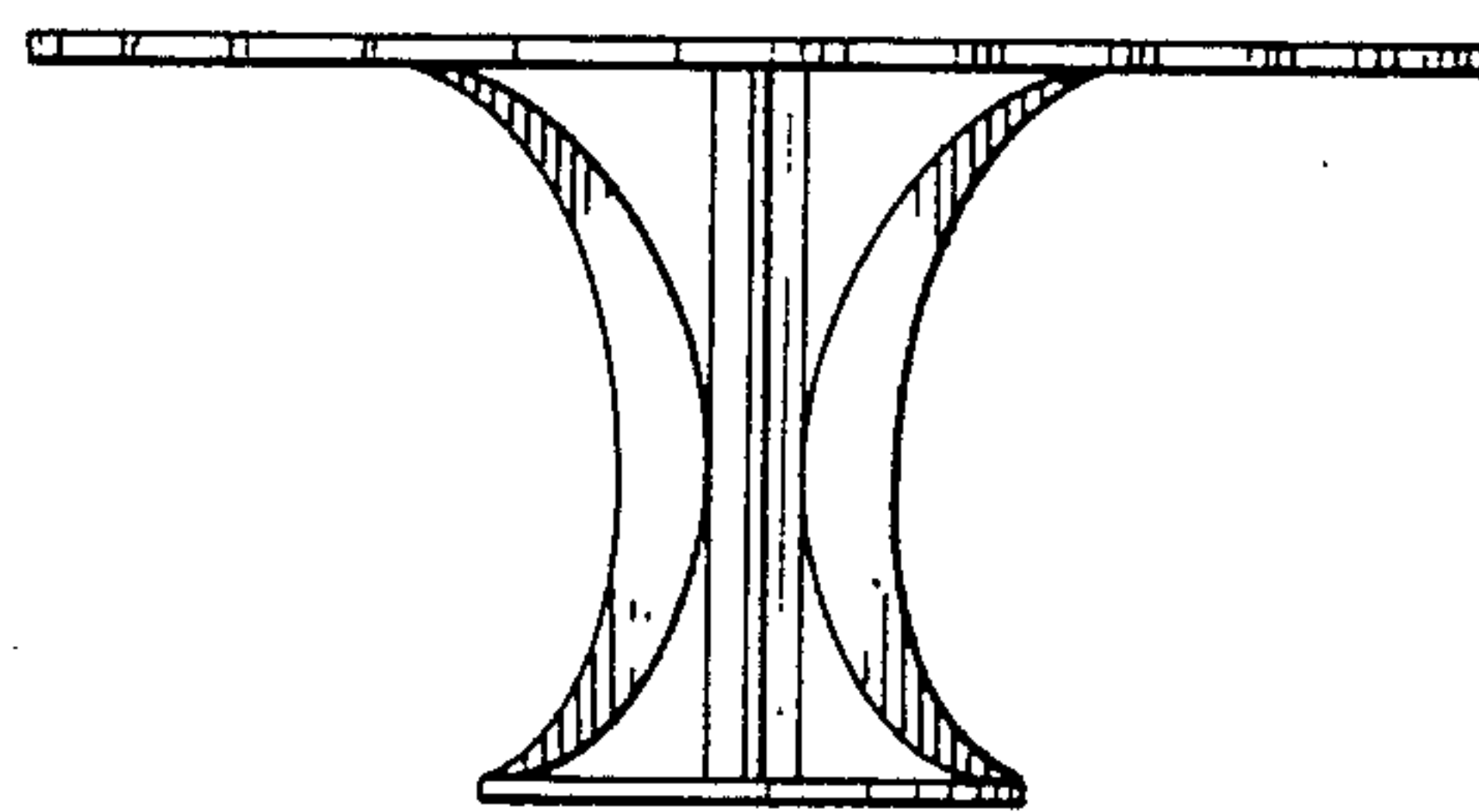


FIG. 5

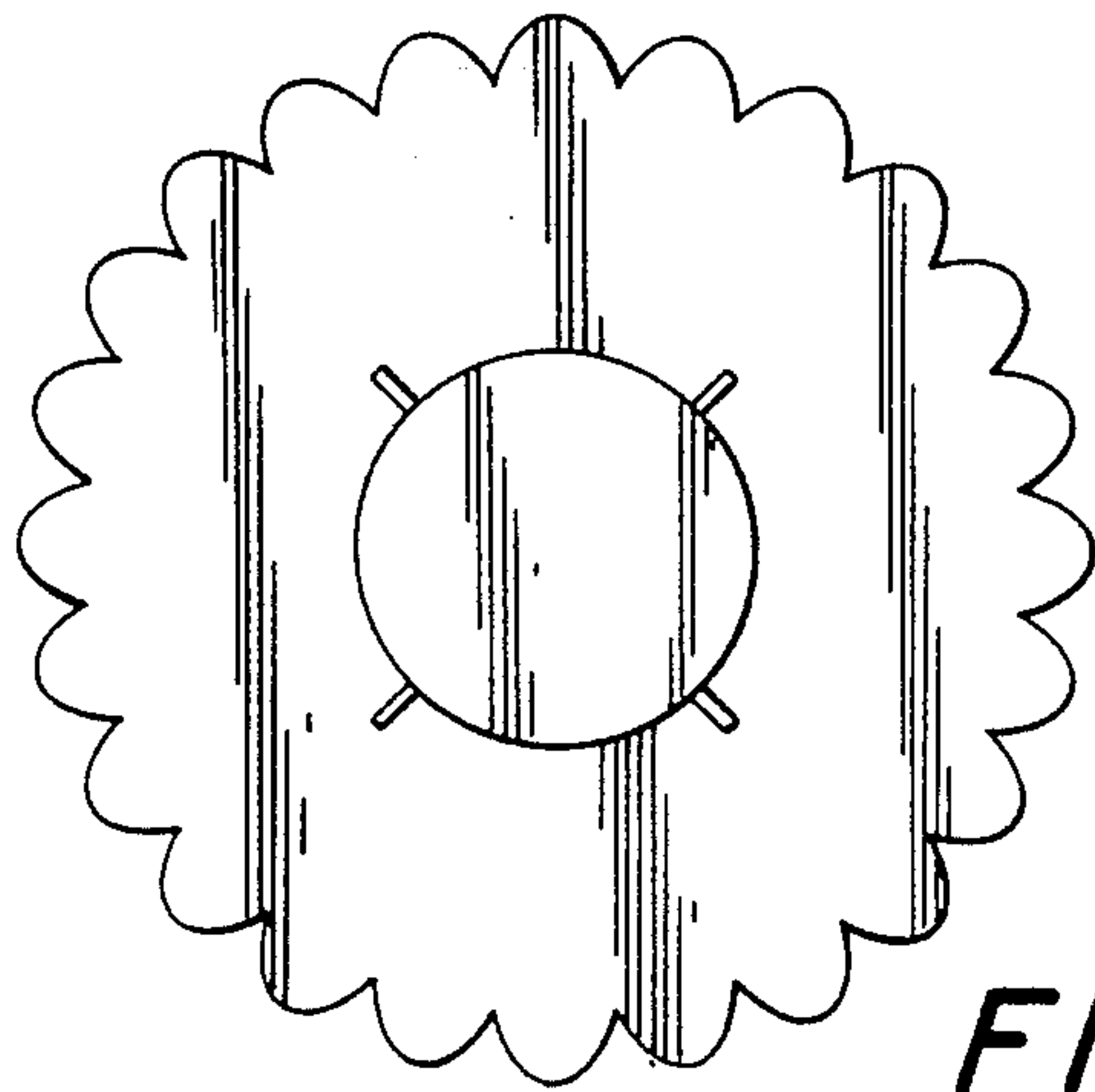


FIG. 3