

[54] ROLLAWAY BED

[76] Inventor: William Pell, Rte. 2, Box 359D, Albertville, Ala. 35950

[\*\*] Term: 14 Years

[21] Appl. No.: 695,232

[22] Filed: Jan. 28, 1985

[52] U.S. Cl. .... D6/392

[58] Field of Search ..... D6/382-395, D6/503-508; 5/110, 112, 114, 116

[56] References Cited

U.S. PATENT DOCUMENTS

D. 50,000	12/1916	Tonnele et al. ....	D6/392
D. 104,734	6/1937	Wesley .....	D6/392
D. 123,816	12/1940	Moeller .....	D6/392
D. 168,581	1/1953	McInerney et al. ....	D6/392
1,608,290	11/1926	Basford .....	5/112
3,045,257	7/1962	Knapp .....	5/112 X

3,965,502	6/1976	Bertram .....	5/114 X
4,034,518	7/1977	Trecker .....	5/112 X

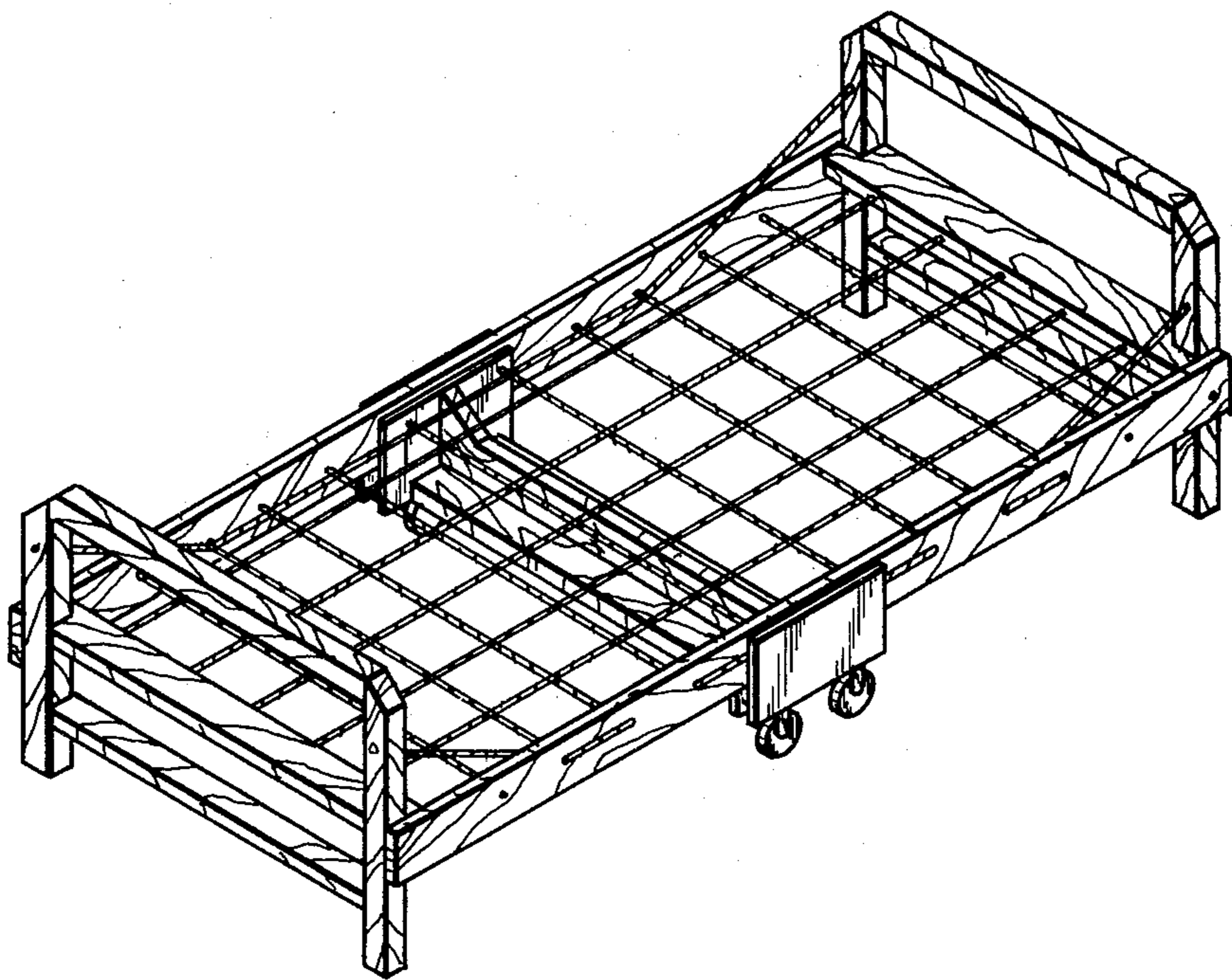
Primary Examiner—Bernard Ansher  
Assistant Examiner—Linda Titolo  
Attorney, Agent, or Firm—Don E. Ferrell

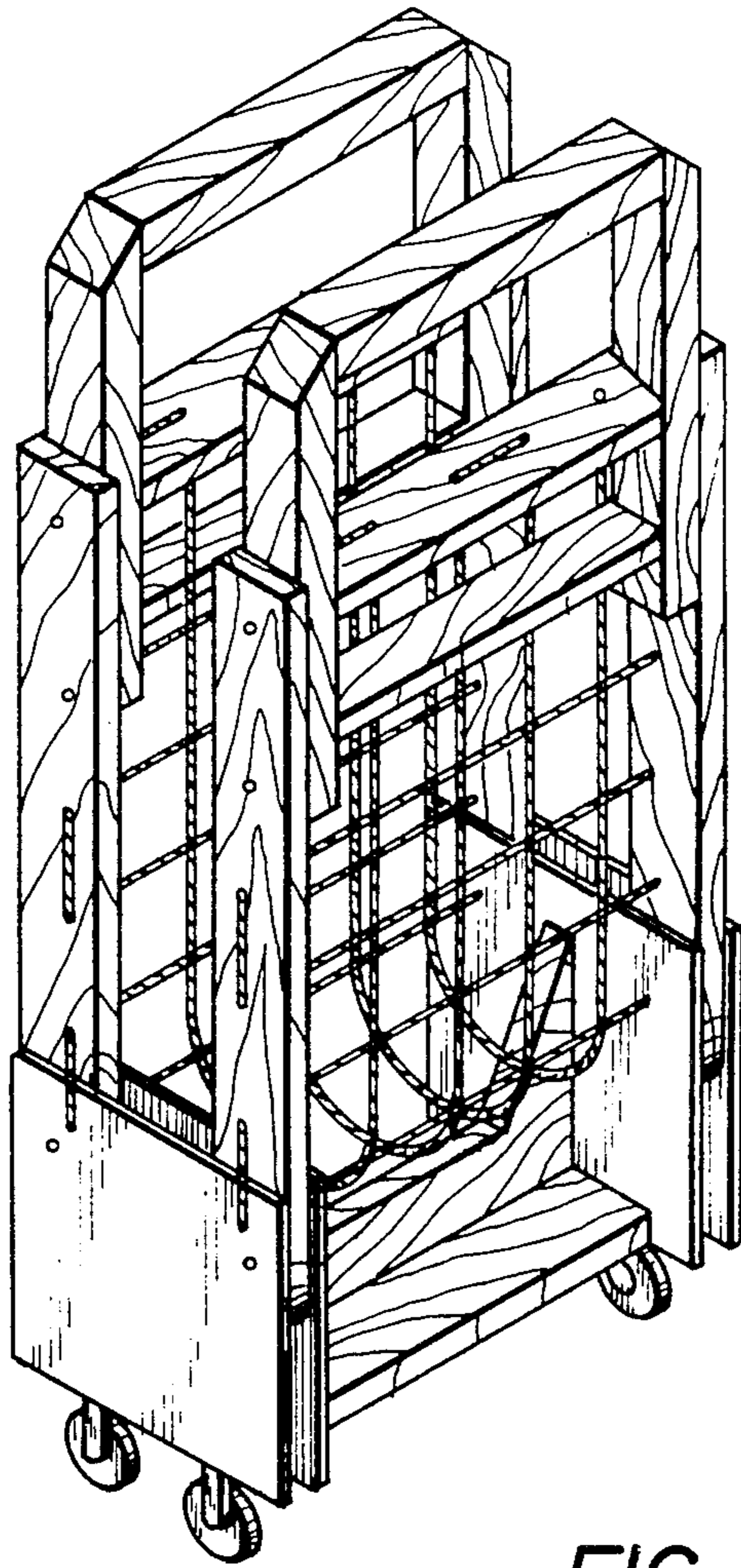
[57] CLAIM

The ornamental design for a rollaway bed, as shown and described.

DESCRIPTION

FIG. 1 is a perspective view of a rollaway bed, showing my new design, with the bed in a folded position; FIG. 2 is a right side elevational view thereof, with the bed in an open position; FIG. 3 is a left side elevational thereof; FIG. 4 is a front elevational view thereof; FIG. 5 is a rear elevational view thereof; FIG. 6 is a top perspective view thereof; and FIG. 7 is a bottom plan view thereof.





*FIG 1*

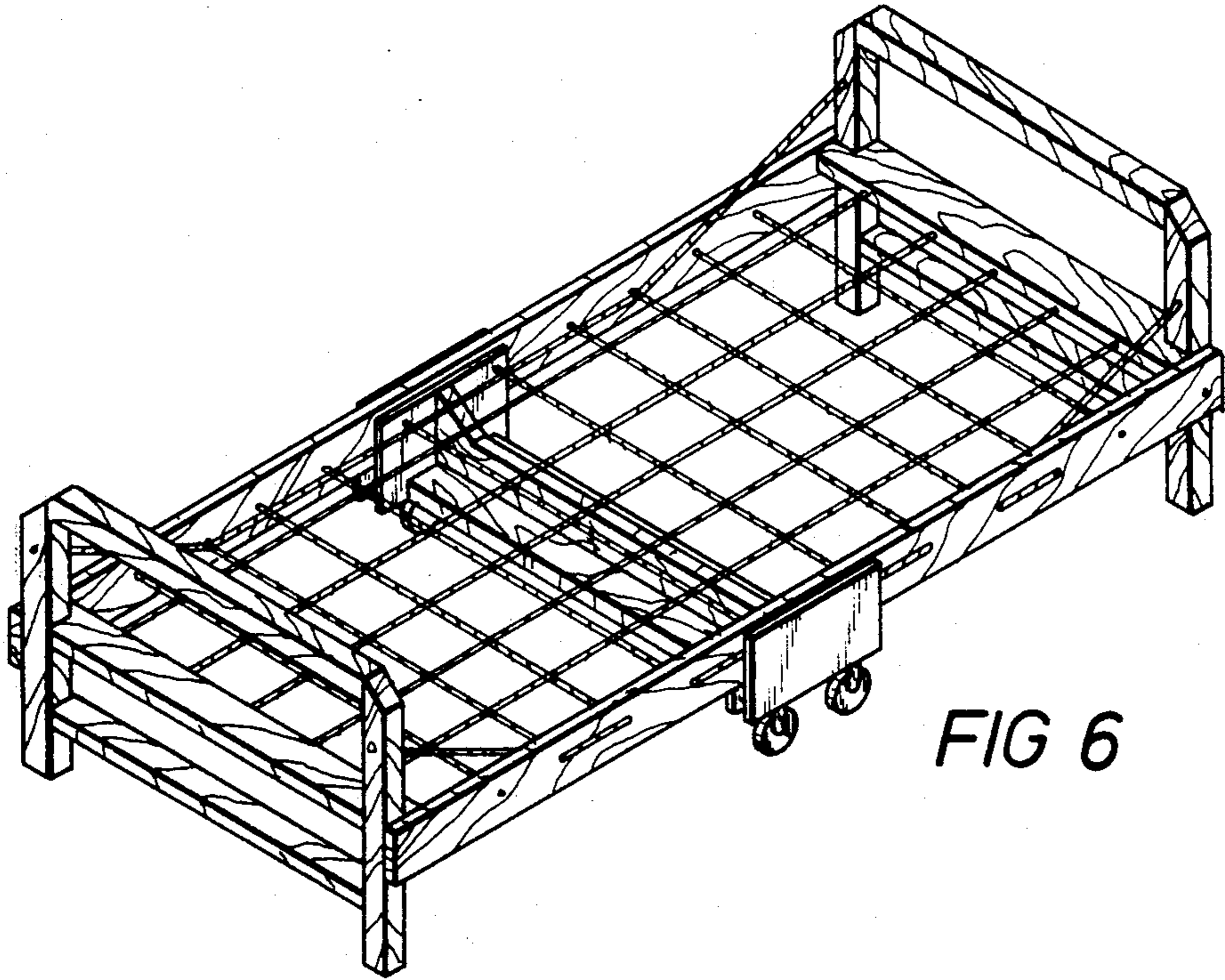


FIG 6

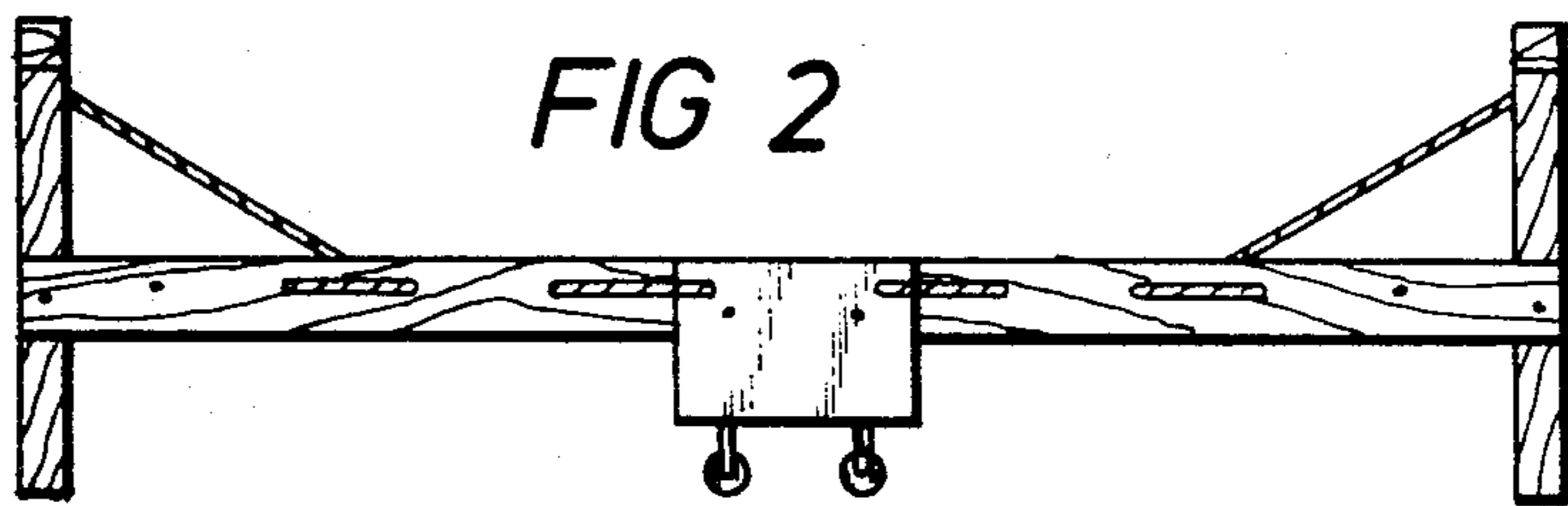


FIG 2

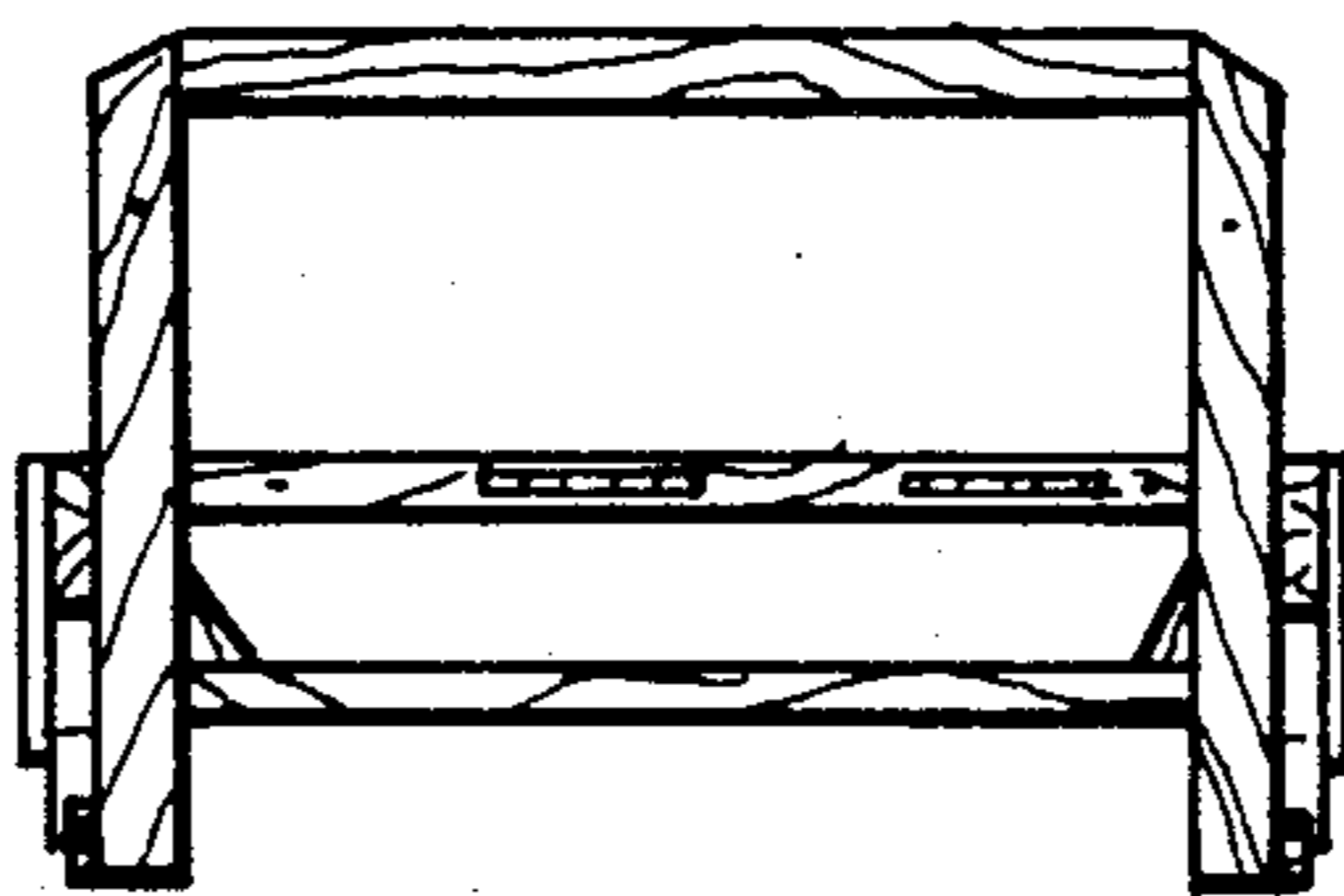


FIG 4



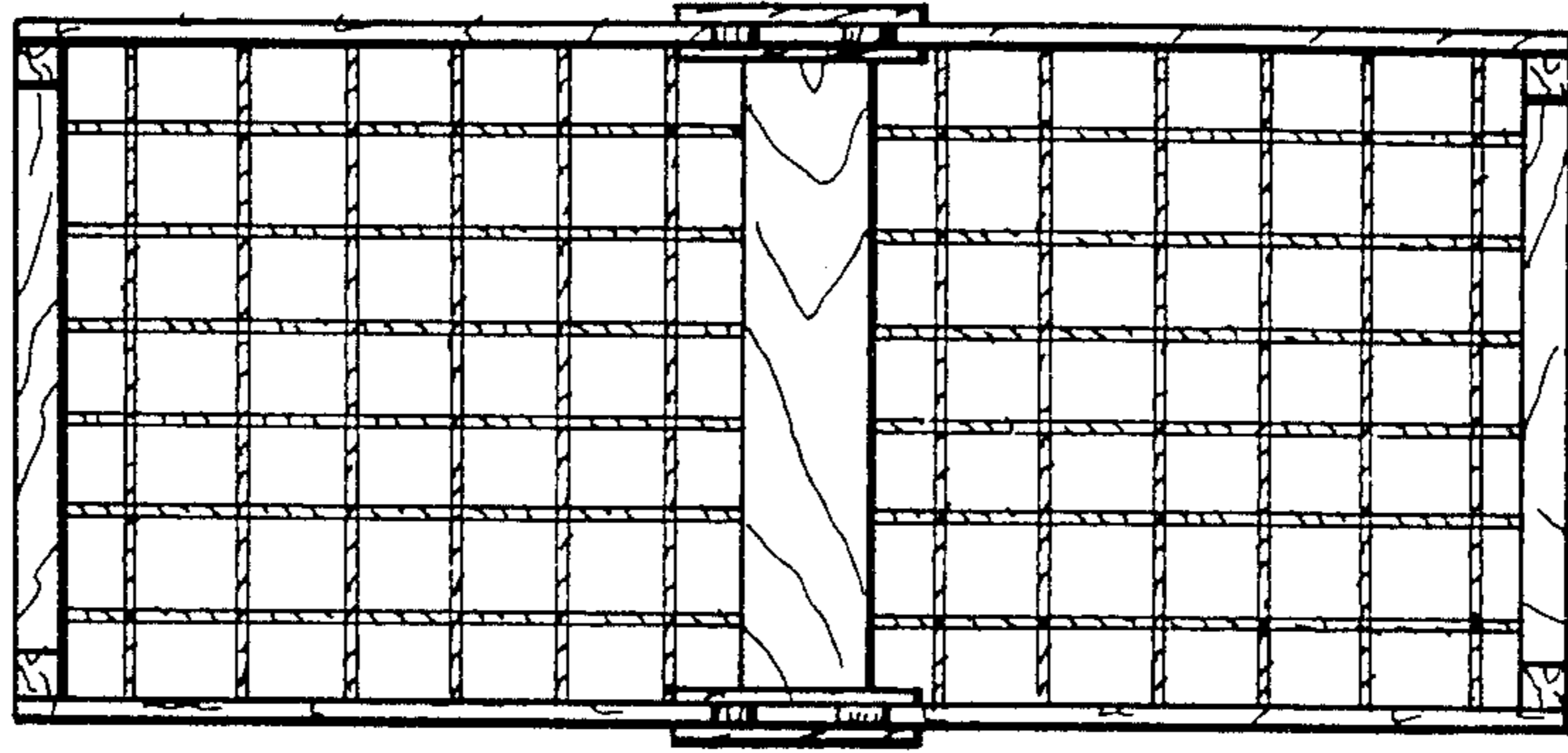


FIG 7

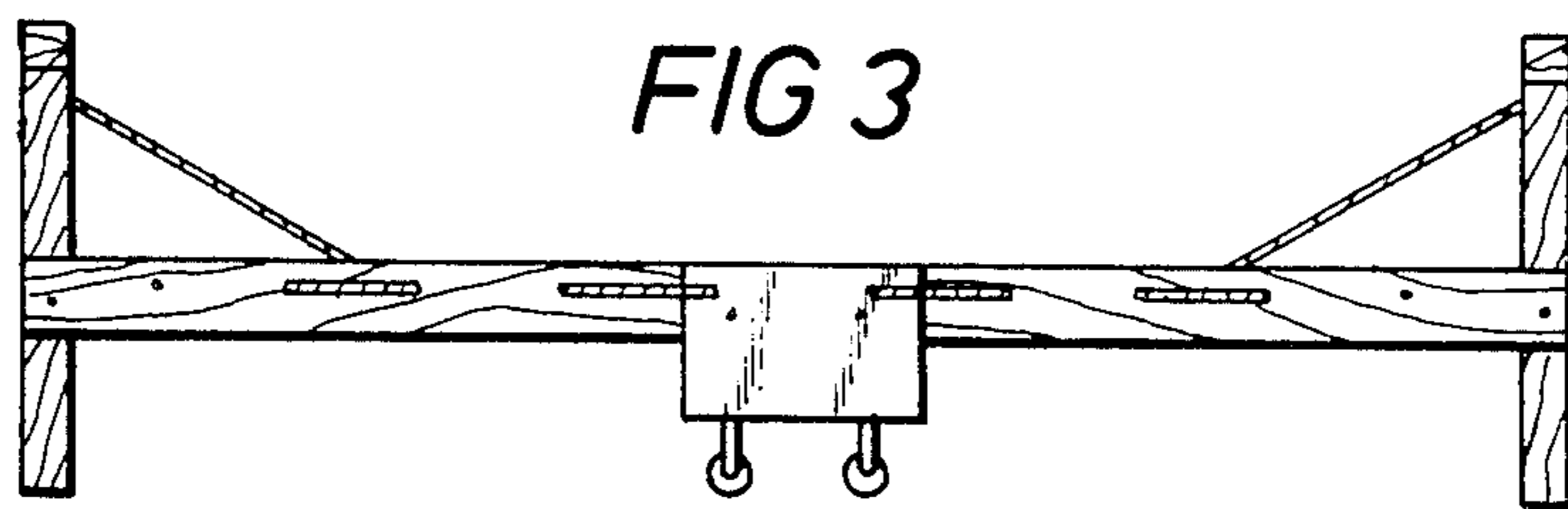


FIG 3

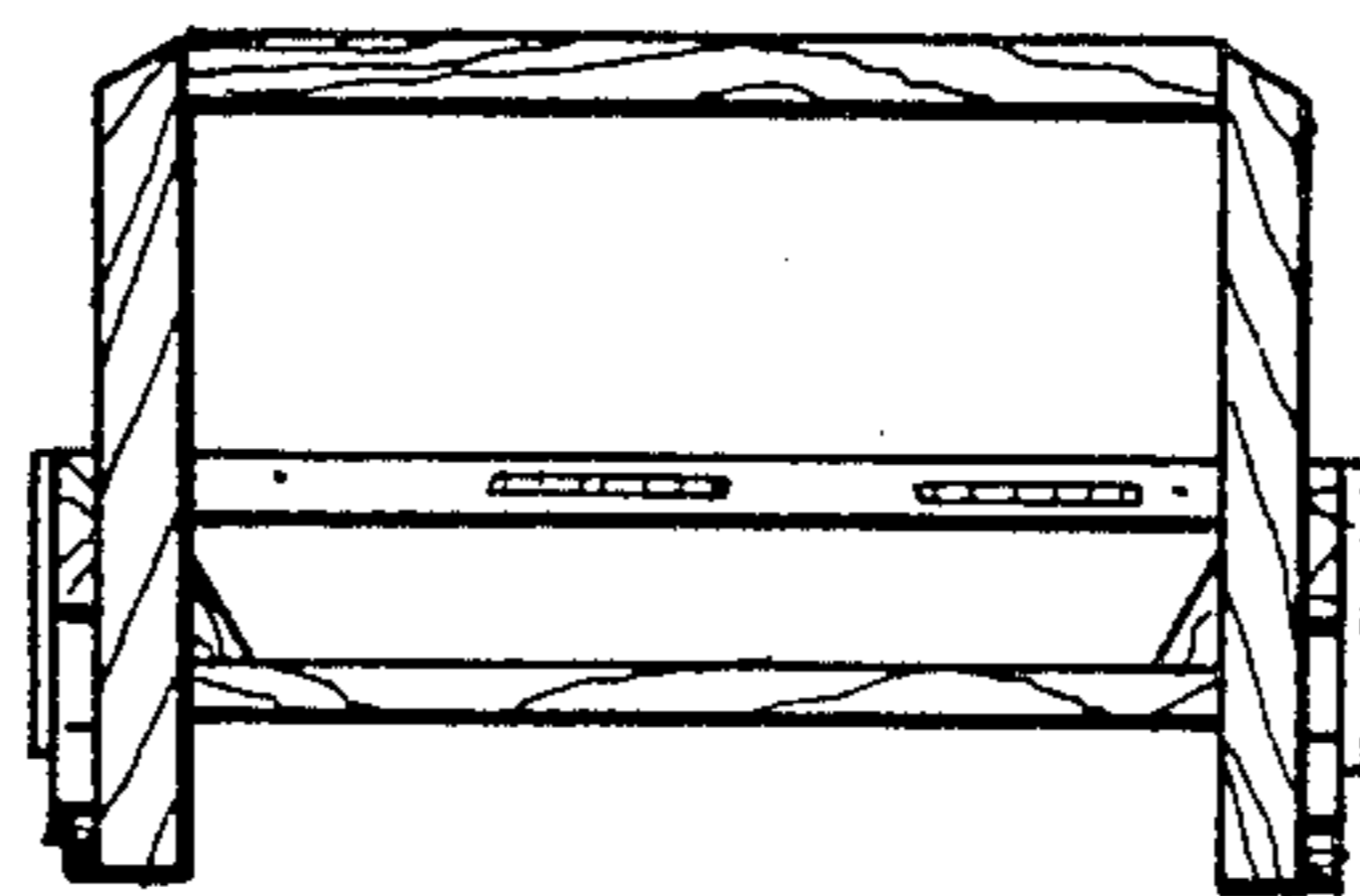


FIG 5