

[54] **CIRCUIT BOARD CARRIER**

[75] **Inventor: Patrick Hung, Toronto, Canada**

[73] **Assignees: Patrick Plastics Inc., Weston, Canada; Glomar Southeast Asia (PTE) Ltd., Singapore**

[\*\*] **Term: 14 Years**

[21] **Appl. No.: 671,607**

[22] **Filed: Nov. 15, 1984**

[52] **U.S. Cl. .... D3/30.1; 206/334**

[58] **Field of Search .... D3/30.1, 33, 35, 73; 220/22.3; 206/456, 334**

[56] **References Cited**

**U.S. PATENT DOCUMENTS**

|            |         |          |       |         |
|------------|---------|----------|-------|---------|
| D. 256,534 | 8/1980  | Bugos    | ..... | D3/35 X |
| D. 267,442 | 1/1983  | Anderson | ..... | D3/30.1 |
| 3,014,594  | 12/1961 | Kerstner | ..... | 206/334 |
| 3,900,157  | 8/1975  | Roth     |       |         |

|           |         |          |       |            |
|-----------|---------|----------|-------|------------|
| 4,155,447 | 5/1979  | Edwards  | ..... | 206/334    |
| 4,234,089 | 11/1980 | Morris   | ..... | 206/456    |
| 4,261,465 | 4/1981  | Thomas   | ..... | 220/22.3 X |
| 4,418,820 | 12/1983 | Nagle    | ..... | 206/334    |
| 4,436,215 | 3/1984  | Kleinert | ..... | 220/22.3   |
| 4,478,331 | 10/1984 | Ruin     | ..... | 206/334    |
| 4,506,785 | 3/1985  | Seefeldt | ..... | 206/334    |
| 4,574,959 | 3/1986  | Howett   | ..... | 206/334 X  |

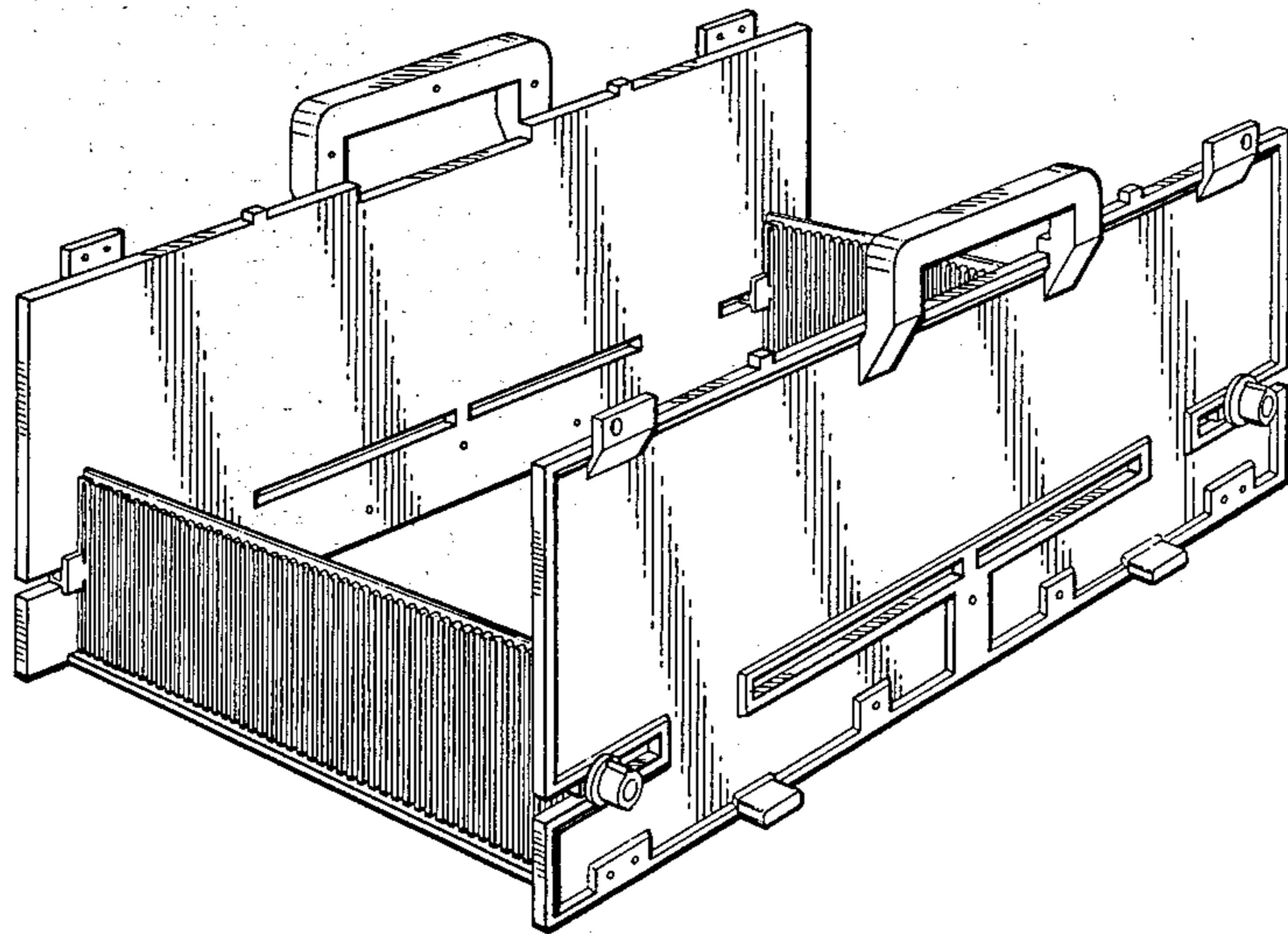
*Primary Examiner*—Nelson C. Holtje  
*Attorney, Agent, or Firm*—George A. Rolston

[57] **CLAIM**

The ornamental design circuit board carrier, as shown and described.

**DESCRIPTION**

FIG. 1 is a top and right front perspective view of a circuit board carrier showing my new design; FIG. 2 is a left side elevational view thereof; FIG. 3 is a rear elevational view thereof; FIG. 4 is a top plan view thereof; FIG. 5 is a bottom plan view thereof.



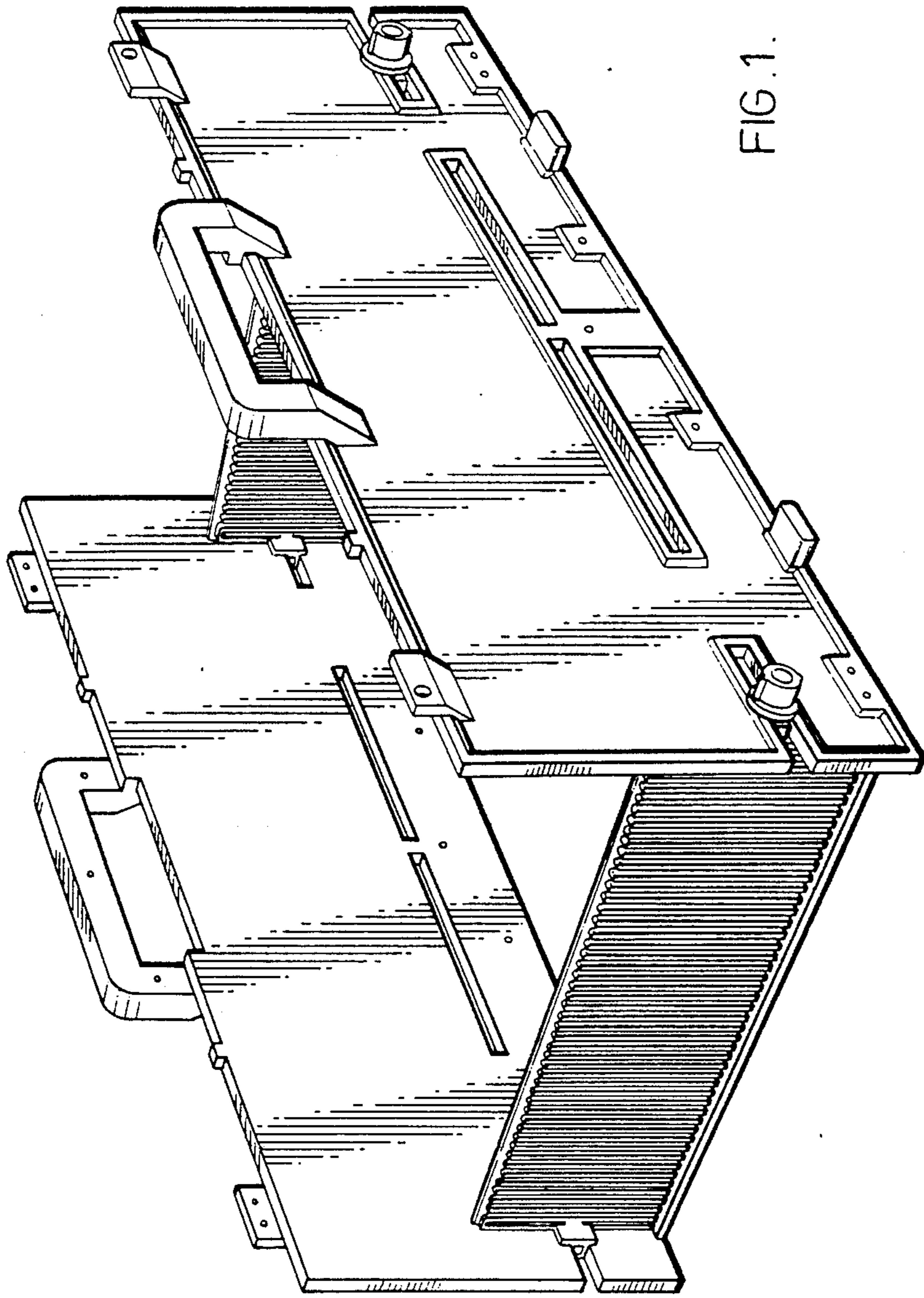


FIG. 1.

FIG. 2.

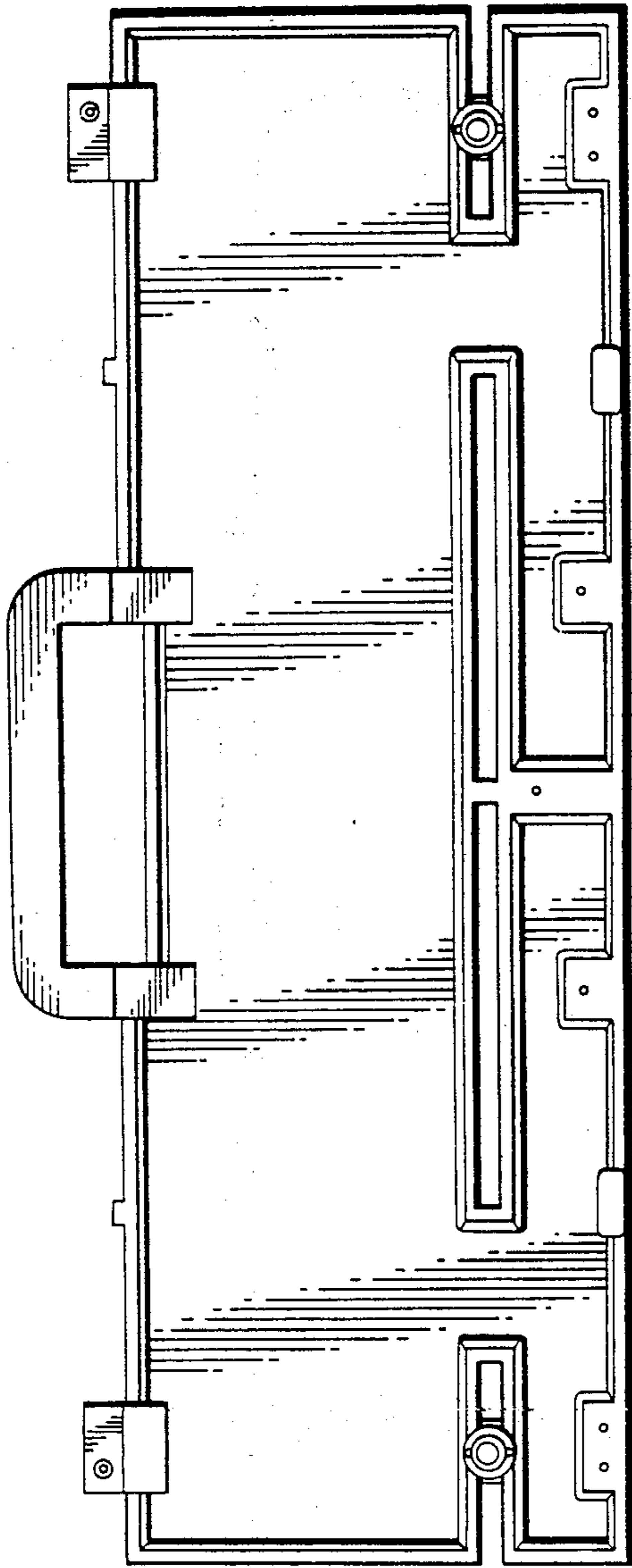
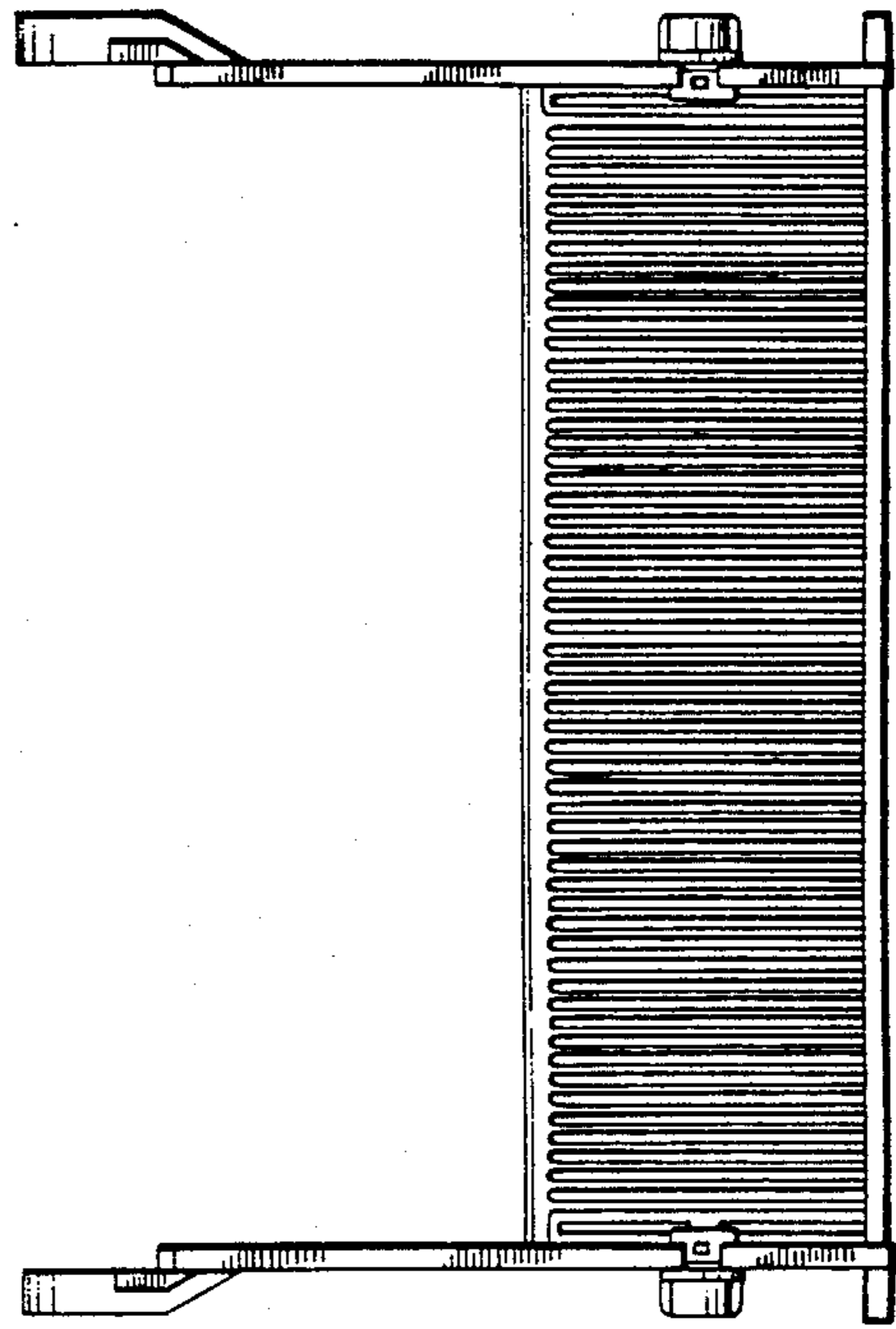


FIG. 3.



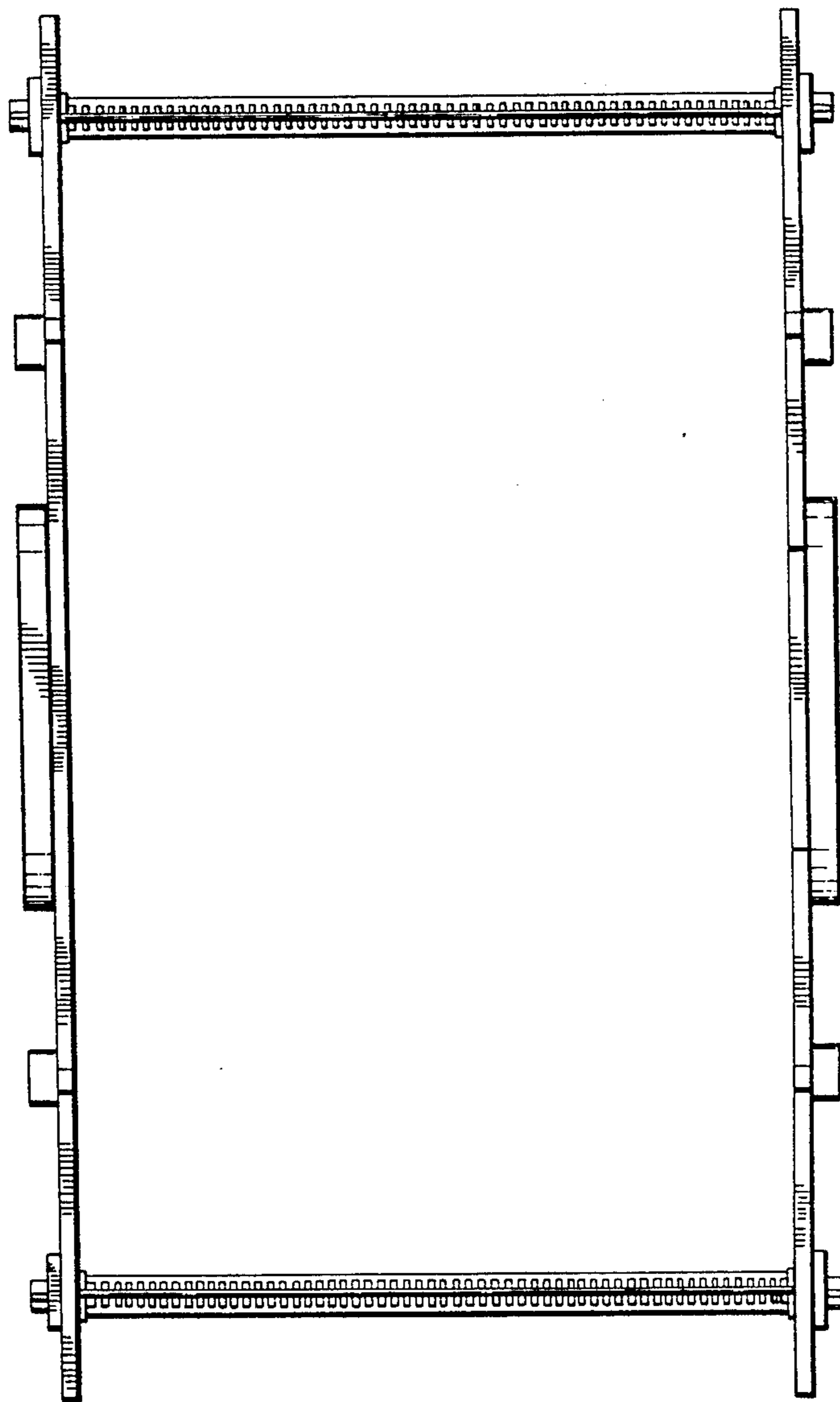


FIG. 4.

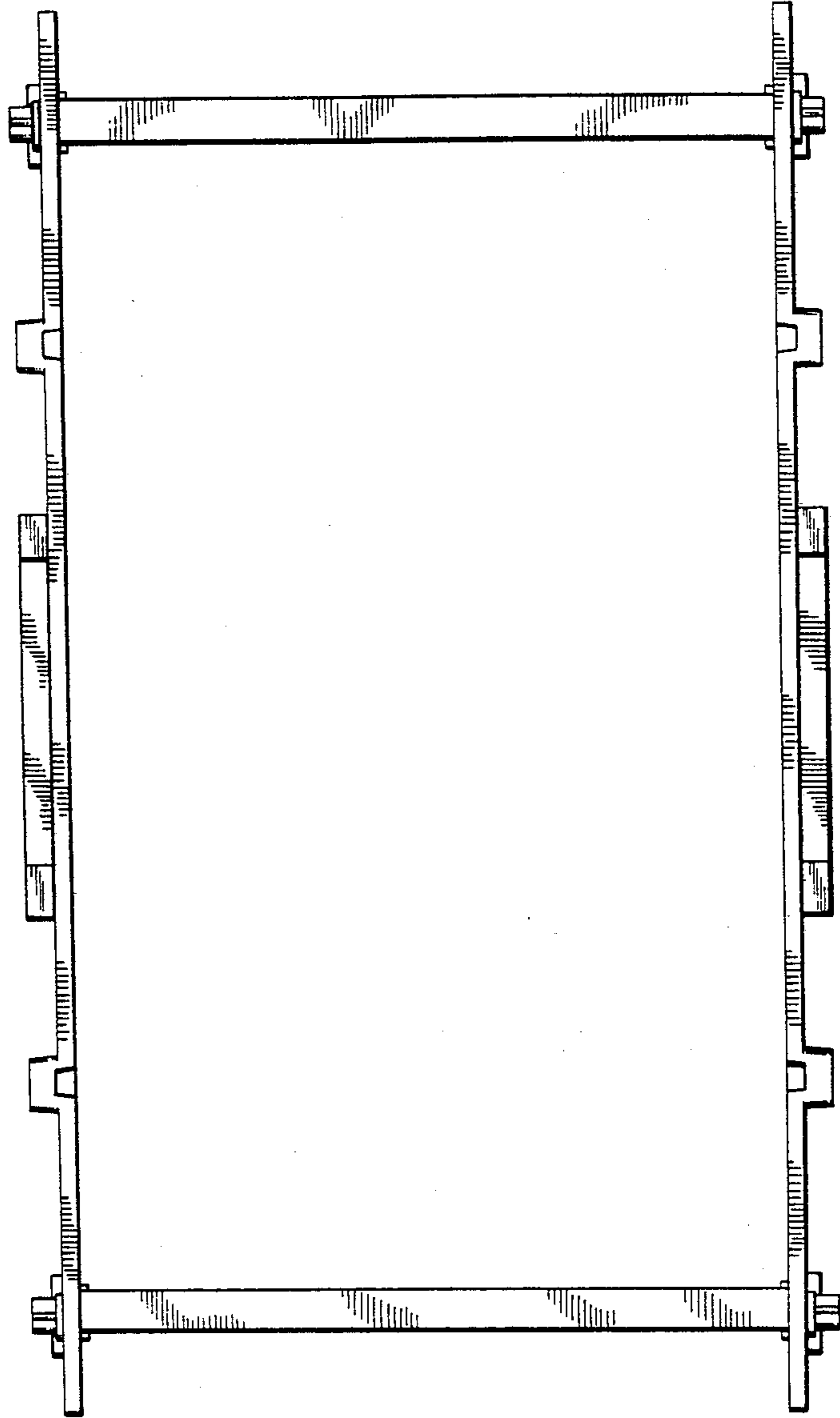


FIG. 5.