

[54] COIN ORGANIZER

[76] Inventor: David Izant, 260 W. Portola Ave., Los Altos, Calif. 94022

[**] Term: 14 Years

[21] Appl. No.: 730,952

[22] Filed: May 6, 1985

[52] U.S. Cl. D99/34

[58] Field of Search D18/3; D99/28, 34, 35; 232/5, 1 D; D6/469; 133/1 R, 1 A, 8 D

[56] References Cited

U.S. PATENT DOCUMENTS

D. 154,028	6/1949	DuMont	D99/34 X
D. 185,105	5/1959	Ullman	D99/34
D. 243,494	3/1977	Wang	D99/34 X
3,316,924	5/1967	Ware	133/1 R
4,339,071	7/1982	Hall	232/5

4,479,502 10/1984 Iversen D99/34 X

FOREIGN PATENT DOCUMENTS

1373135 11/1974 United Kingdom 133/1 A

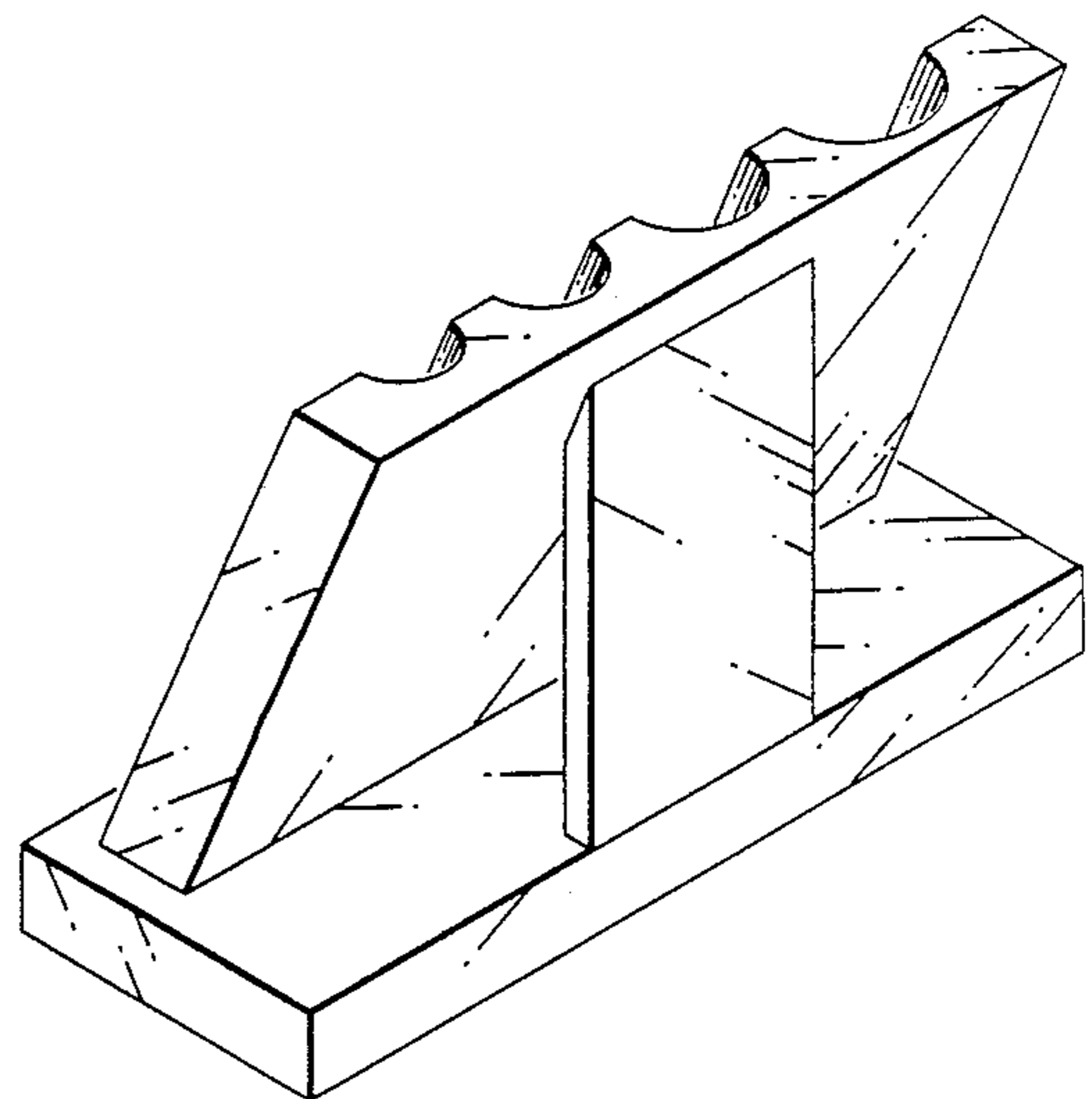
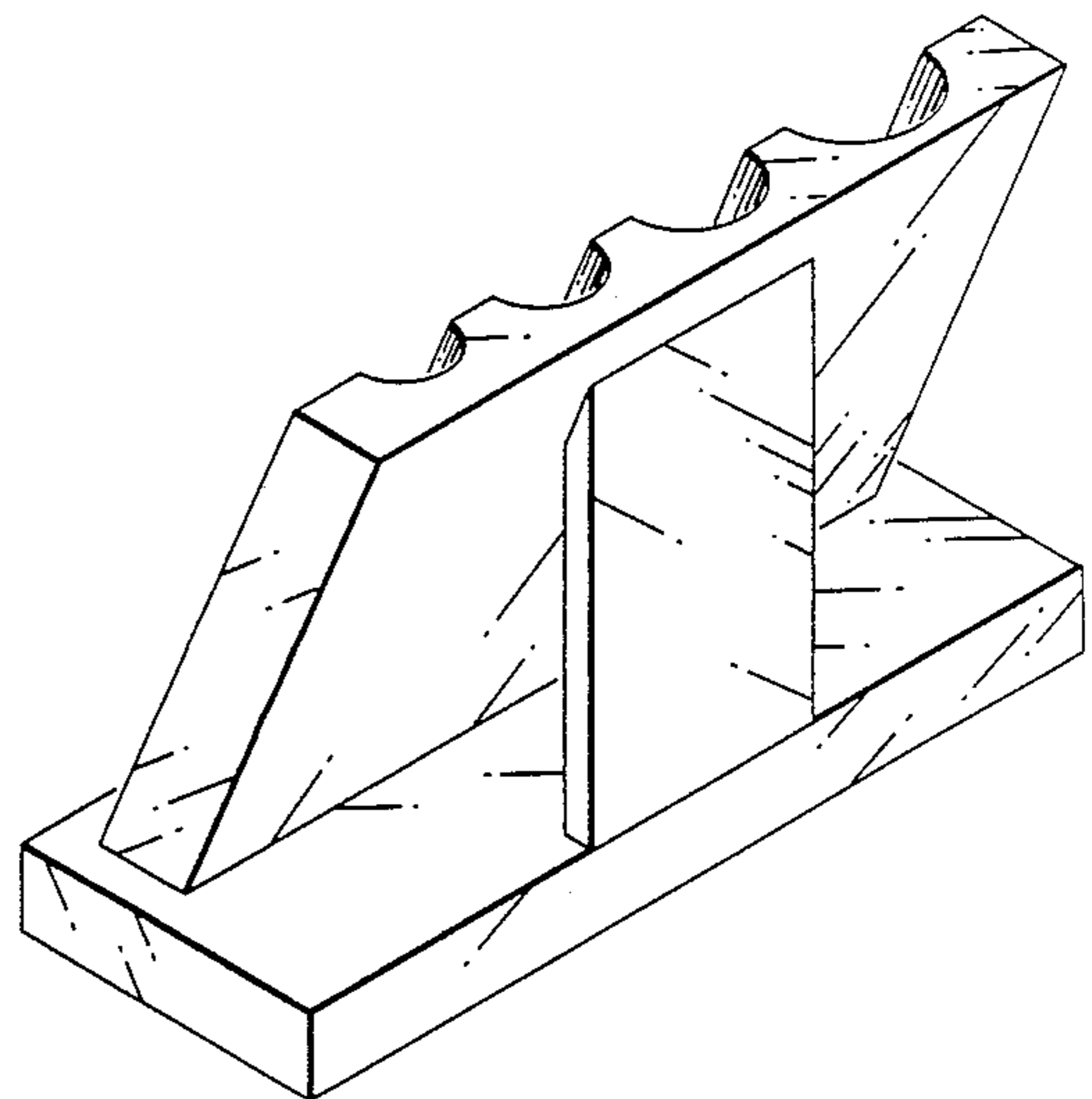
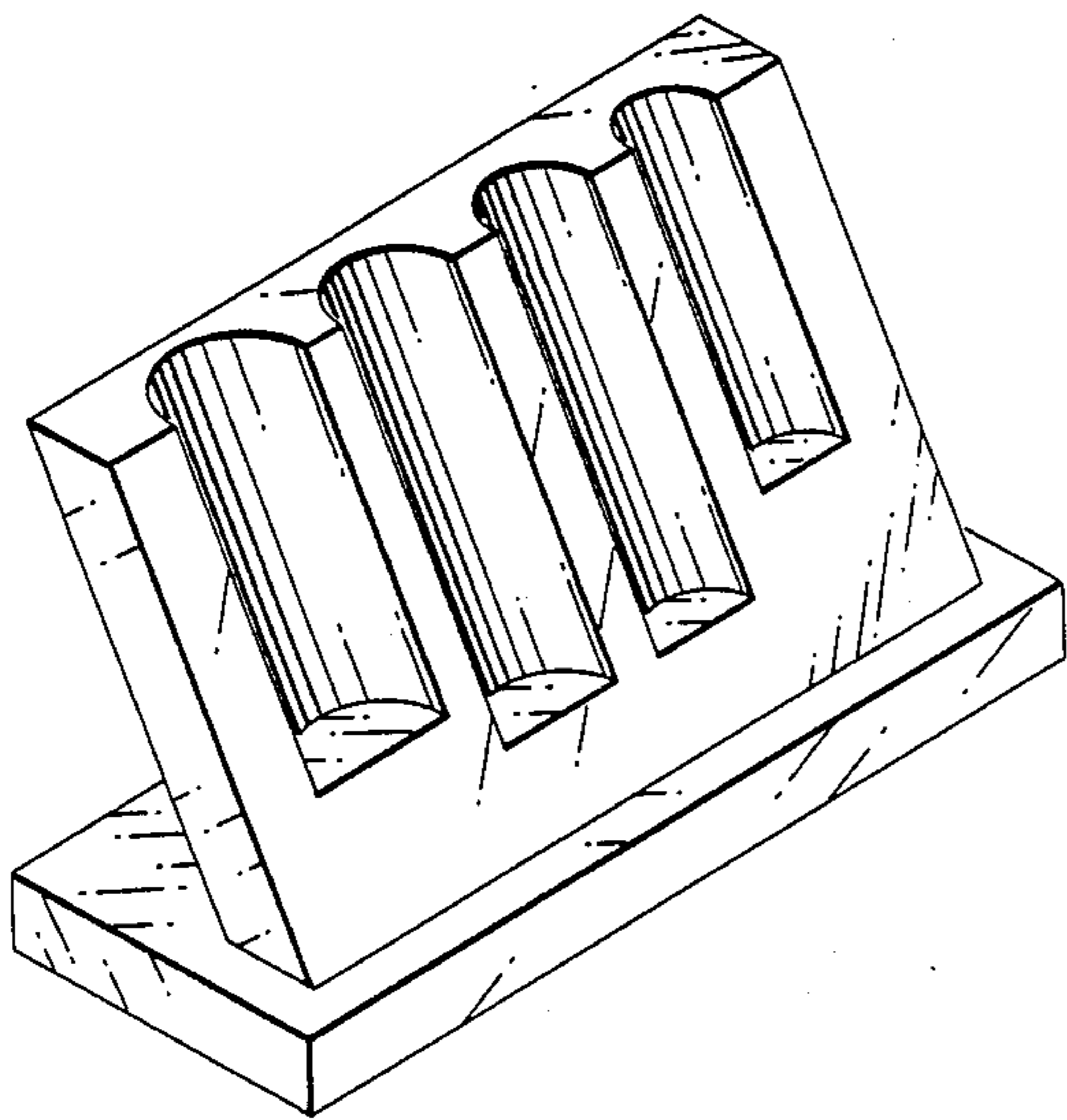
Primary Examiner—Winifred E. Herrmann
Attorney, Agent, or Firm—Julian Caplan

[57] CLAIM

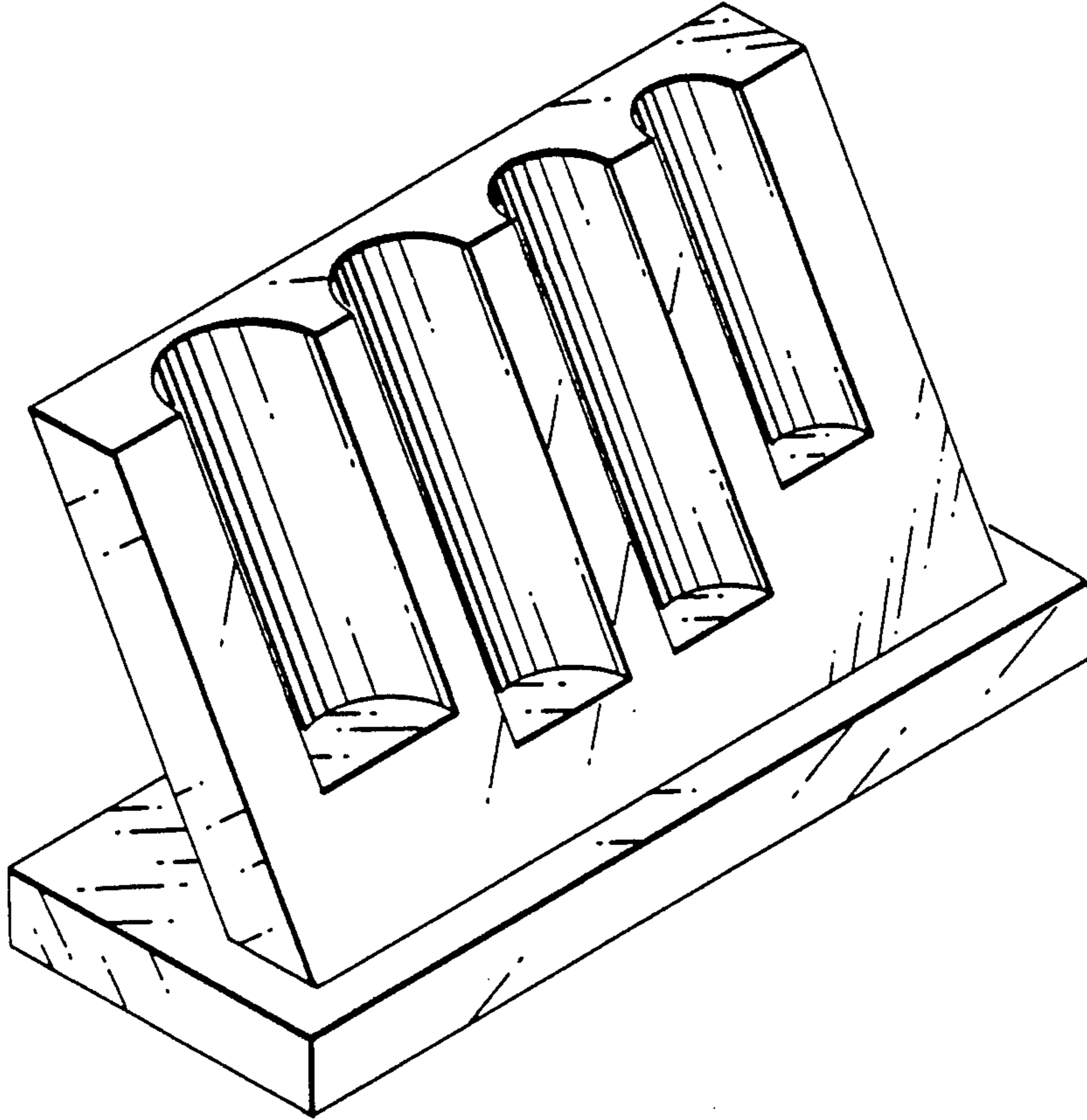
The ornamental design for a coin organizer, as shown and described.

DESCRIPTION

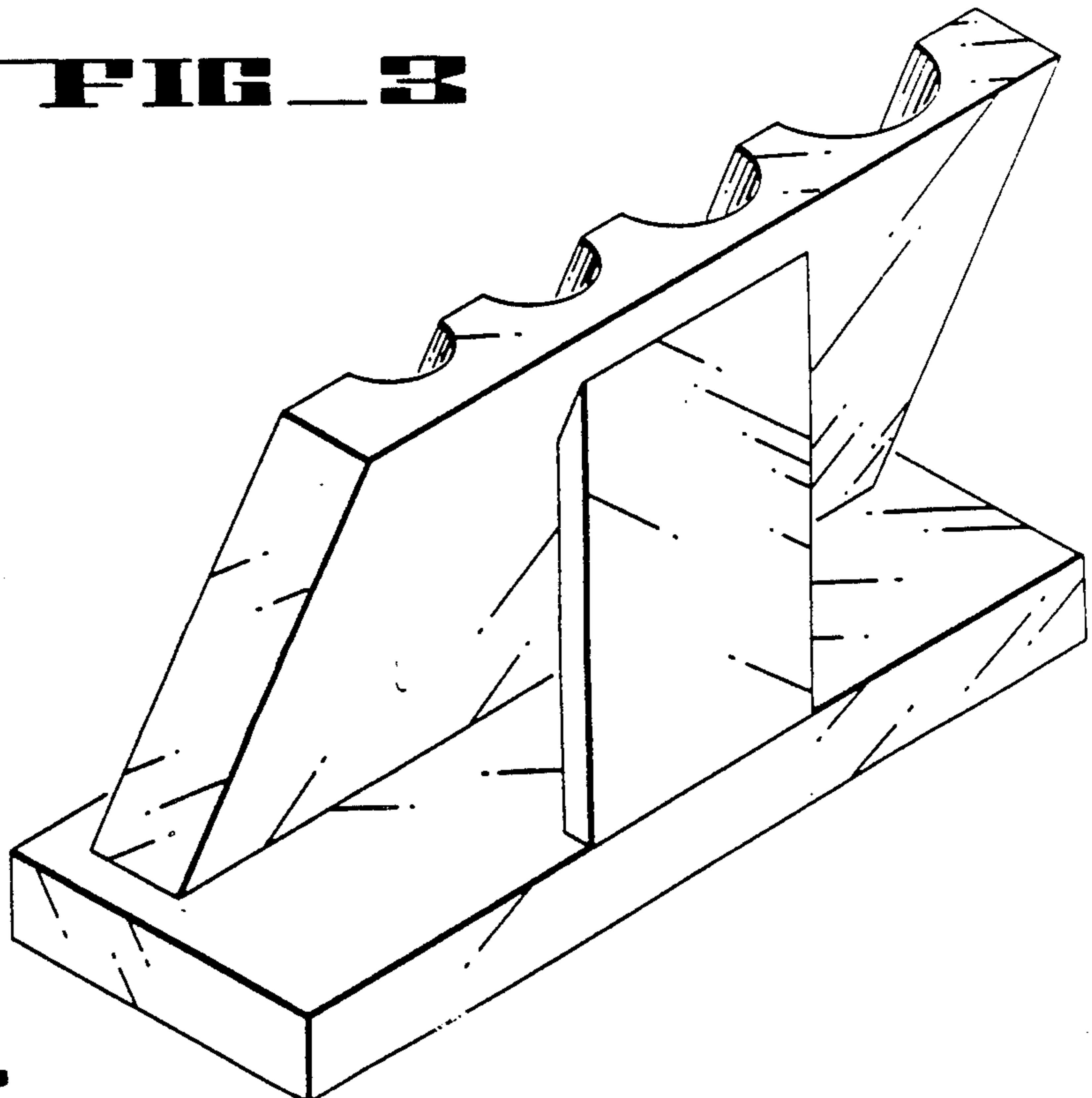
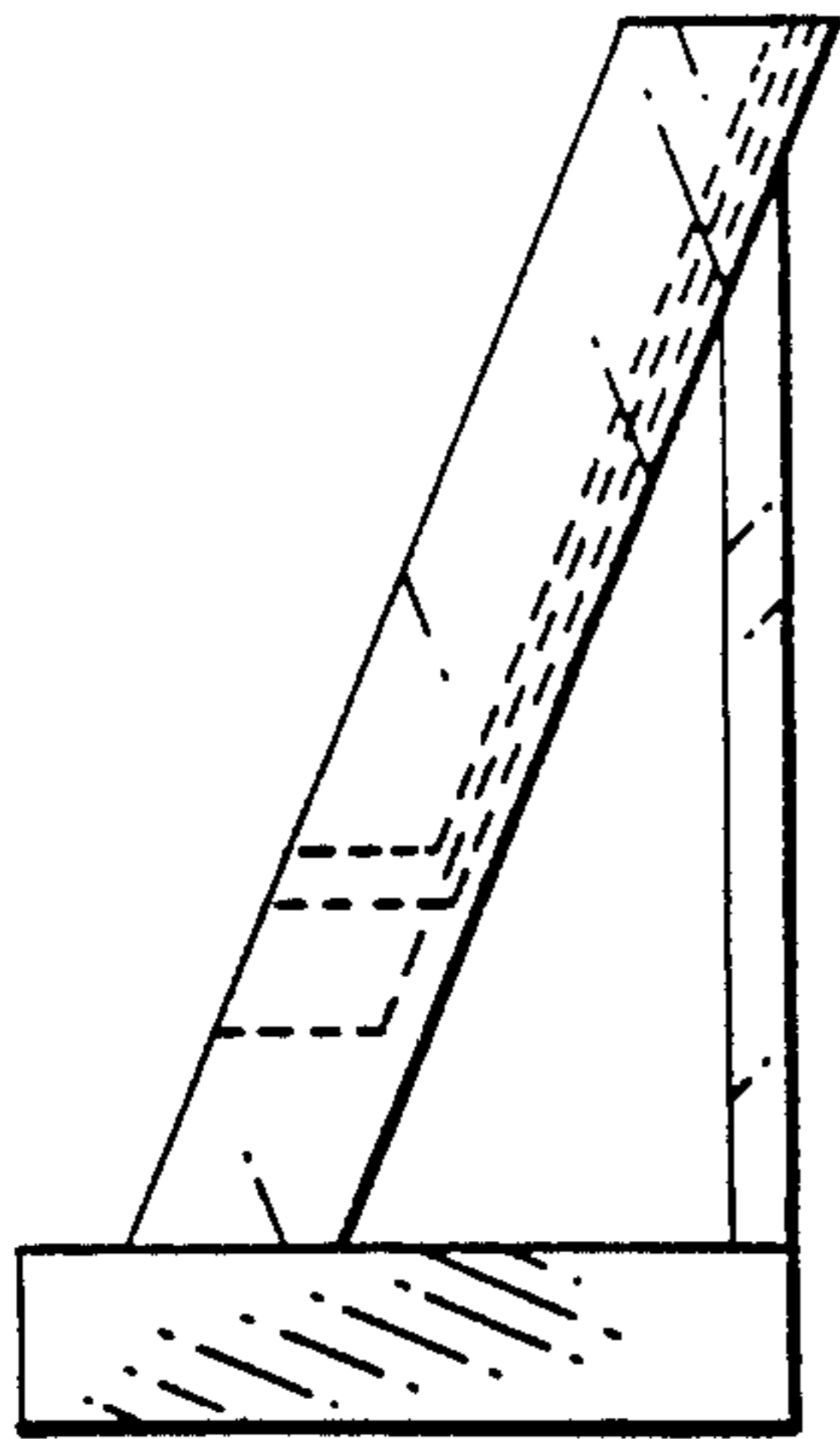
FIG. 1 is a top, front, and left side perspective view of a coin organizer showing my new design; and FIG. 2 is a top, rear, and right side perspective view thereof. FIG. 3 is a side elevation thereof viewed from the right side; the opposite side is similar. The bottom of the design is flat and unornamented.



FIG_1



FIG_3



FIG_2