

United States Patent [19]

Yajima

[11] Patent Number: **Des. 292,714**

[45] Date of Patent: **** Nov. 10, 1987**

[54] **TYPE CARTRIDGE FOR PRINTER**

[75] Inventor: **Setsuo Yajima, Kanagawa, Japan**

[73] Assignee: **Ricoh Company, Ltd., Tokyo, Japan**

[**] Term: **14 Years**

[21] Appl. No.: **654,258**

[22] Filed: **Sep. 25, 1984**

[30] **Foreign Application Priority Data**

Mar. 26, 1984 [JP] Japan 59-11705

[52] U.S. Cl. **D18/22; D18/12**

[58] Field of Search **D18/1, 2, 11, 12, 22;
D14/114; 400/144.2, 144.3, 175, 196, 196.1,
207, 208, 208.1; 242/55.19 A, 197-200**

[56] **References Cited**

U.S. PATENT DOCUMENTS

D. 265,099 6/1982 Feinstein, Jr. et al. D18/12

D. 280,641 9/1985 Harden et al. D18/22 X
4,245,916 1/1981 Habich et al. 400/144.2
4,291,993 9/1981 Gagnebin 400/144.2
4,507,001 3/1985 Babler 400/144.2

Primary Examiner—Louis S. Zarfes
Attorney, Agent, or Firm—Oblon, Fisher, Spivak,
McClelland, & Maier

[57] **CLAIM**

The ornamental design for type cartridge for printer, as shown and described.

DESCRIPTION

FIG. 1 is a front elevational view of a type cartridge for printer showing my new design;
FIG. 2 is a top plan view;
FIG. 3 is an elevational view of one side;
FIG. 4 is an elevational view of the other side;
FIG. 5 is a rear elevational view;
FIG. 6 is a bottom plan view; and
FIG. 7 is a perspective view.

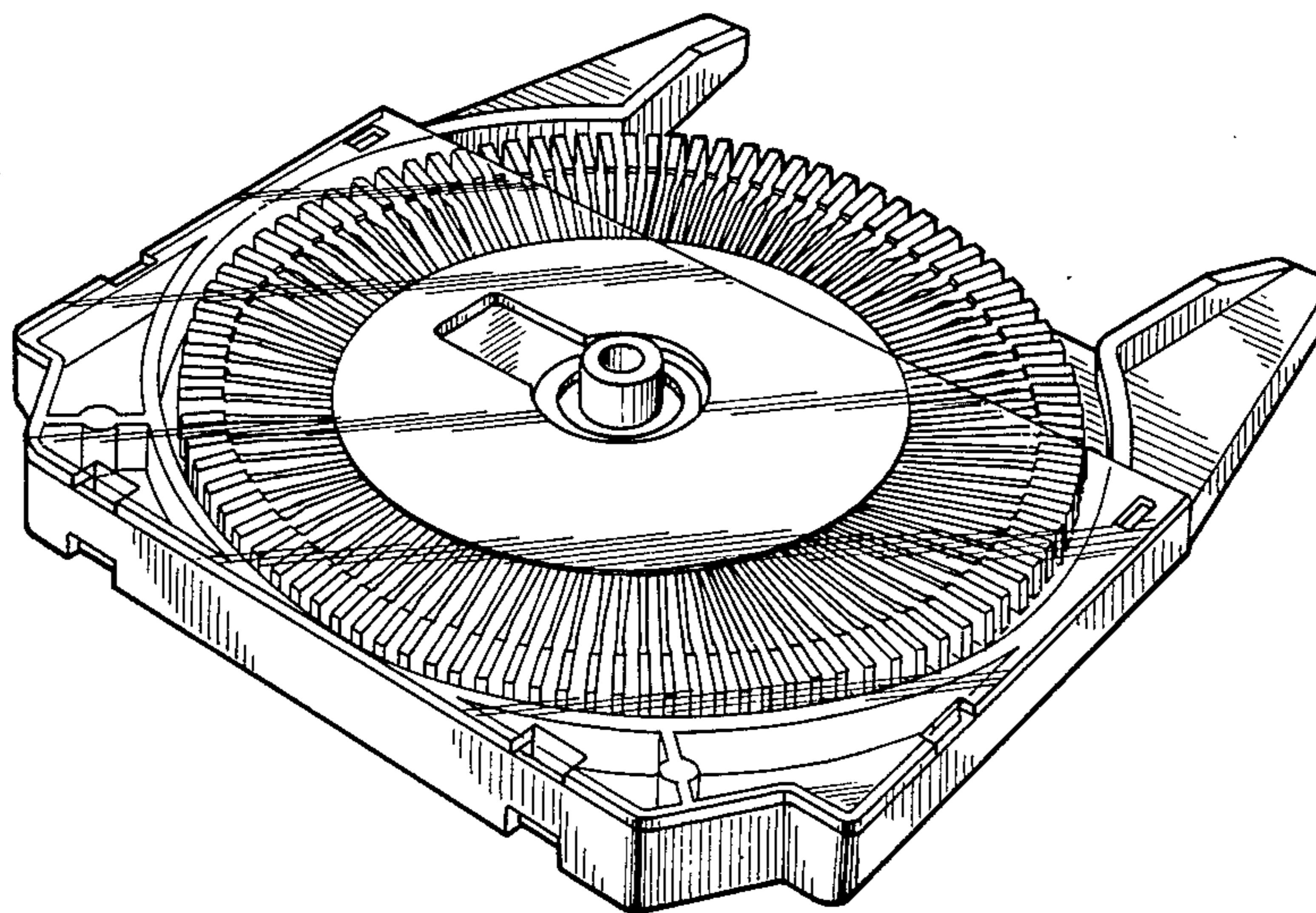


FIG. 1

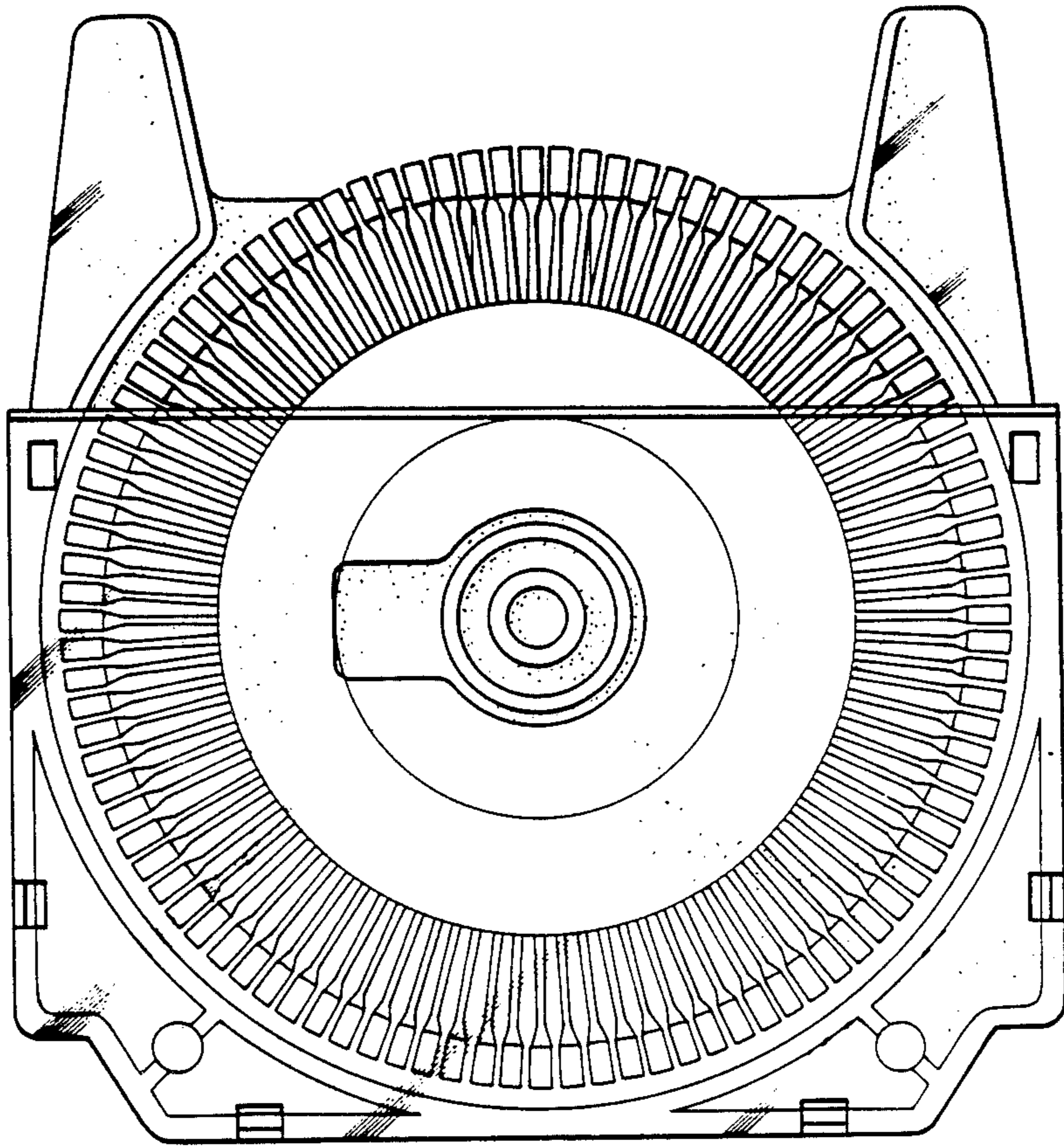


FIG. 2



FIG. 3

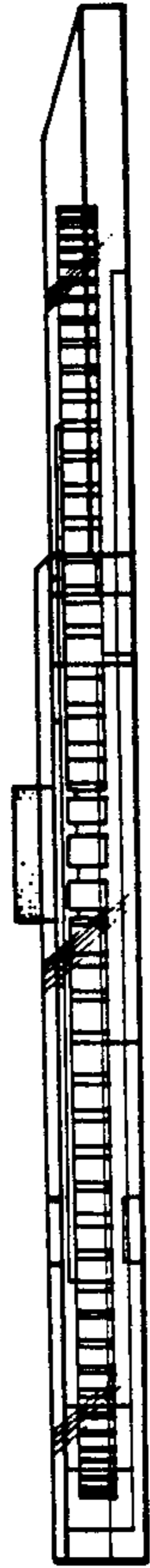


FIG. 4



FIG. 5

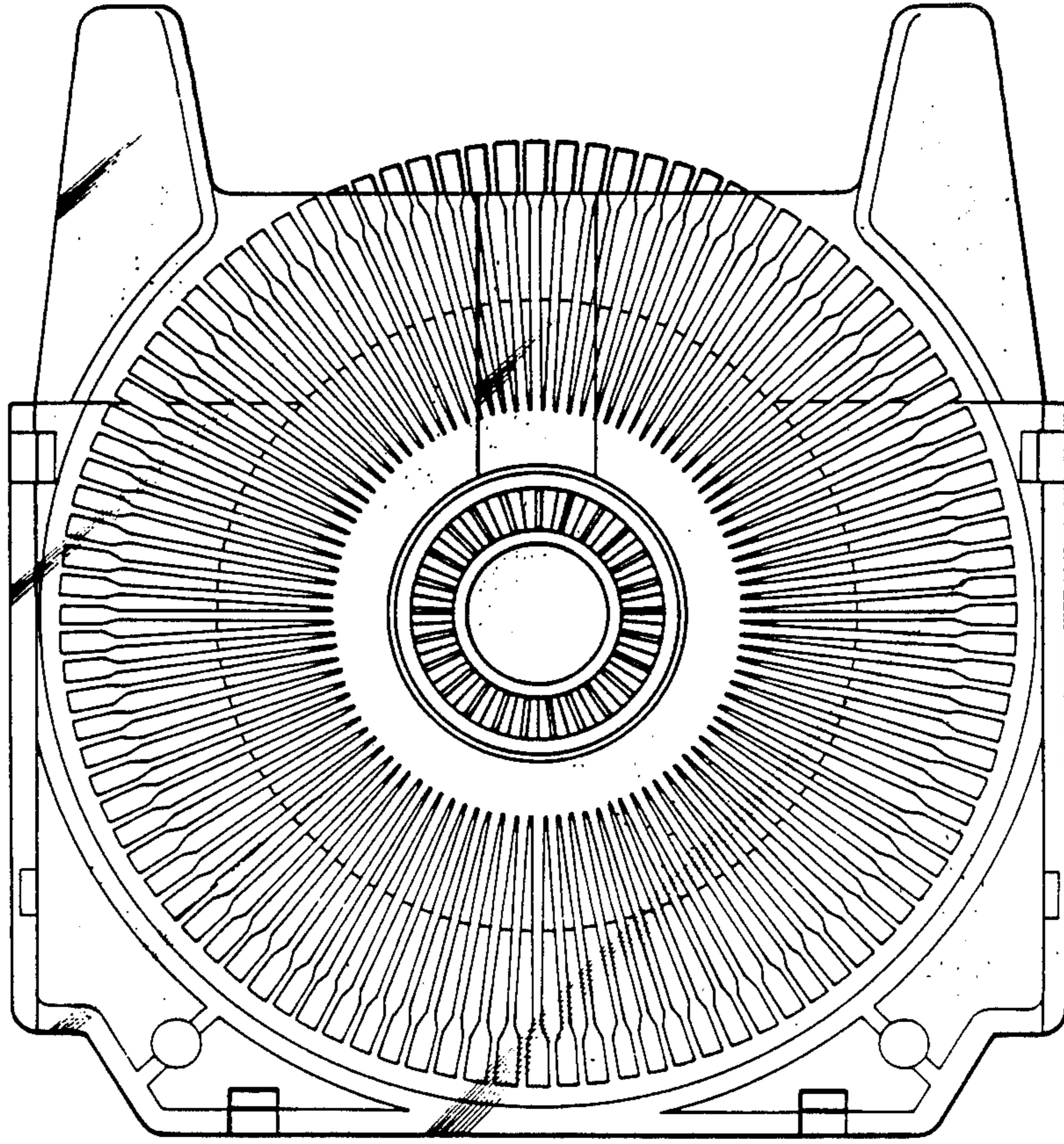


FIG. 6



