

[54] SCROLL SAW
 [75] Inventor: David Miller, Tupelo, Miss.
 [73] Assignee: Delta International Machinery Corp., Pittsburgh, Pa.
 [**] Term: 14 Years
 [21] Appl. No.: 742,936
 [22] Filed: Jun. 10, 1985
 [52] U.S. Cl.: D15/133
 [58] Field of Search D15/133, 134; 83/782, 83/783, 698, 700

2,090,195 8/1937 Grob .
 2,208,843 7/1940 Hedgpeth .
 2,692,622 10/1954 Heese .
 2,721,587 10/1955 Dremel .
 4,503,742 3/1985 Sutton .
 4,616,541 10/1986 Eccardt et al. 83/782

OTHER PUBLICATIONS

The Eagle Precision Scroll Saw, Exclusive "C" Arm for Safety, manufactured by RBI Industries, Inc., Pleasant Hill, Mo., date unknown.

Primary Examiner—B. J. Bullock
Attorney, Agent, or Firm—Merchant, Gould, Smith, Edell, Welter & Schmidt

[56] References Cited
U.S. PATENT DOCUMENTS

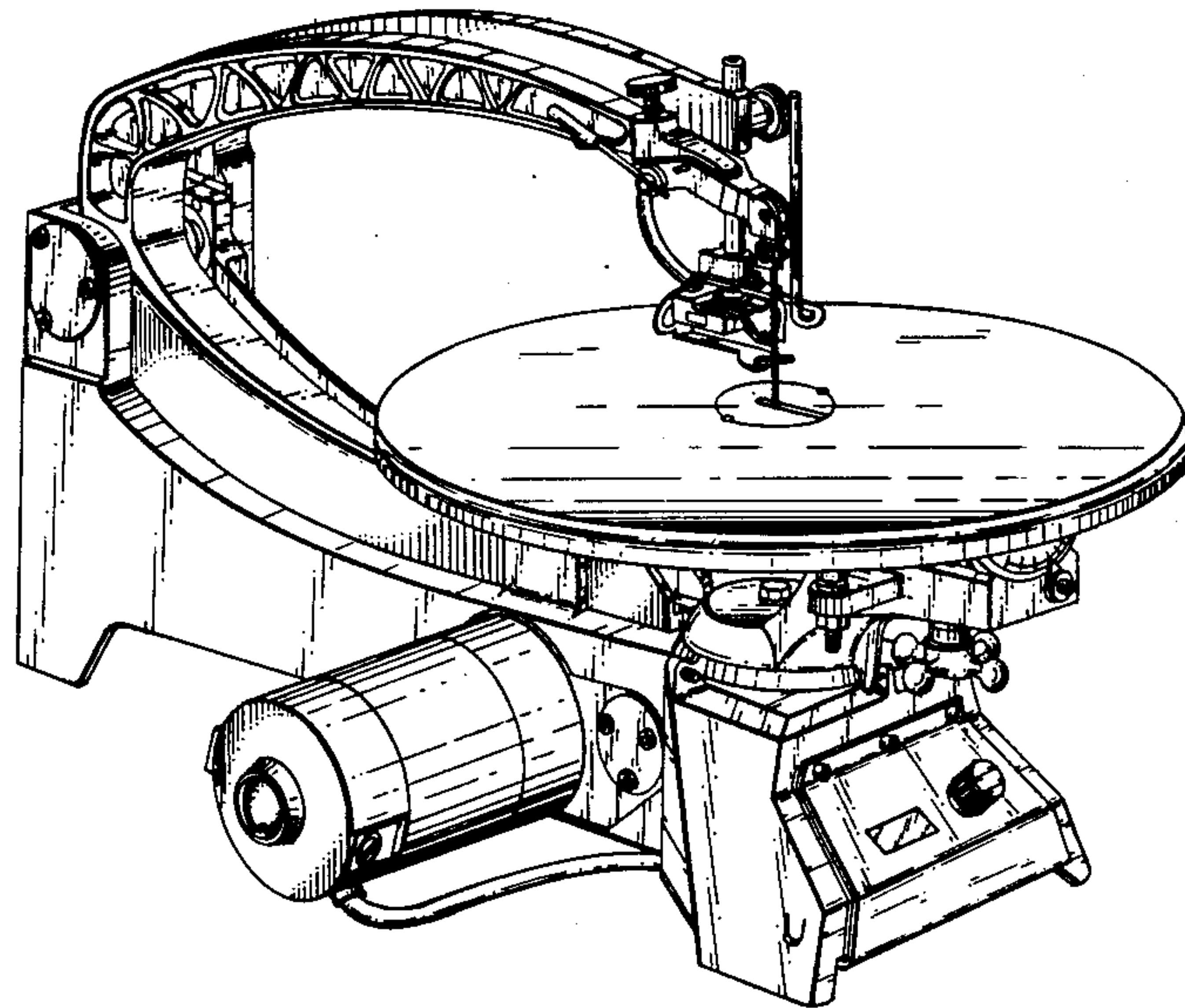
- Re. 7,726 6/1877 Plummer .
- D. 94,788 3/1935 Tautz D15/133
- D. 154,579 7/1949 Atkins D15/133
- D. 173,648 12/1954 Emrick D15/133
- D. 173,891 1/1955 Beale et al. D15/133
- 169,475 11/1875 Pratt .
- 170,456 11/1875 Smith .
- 189,461 4/1877 House .
- 220,705 10/1879 Dearborn .
- 398,803 2/1889 Sedwick .
- 1,544,425 6/1925 Blank .
- 1,820,294 8/1931 Anderson .
- 1,877,705 9/1932 Tautz .

[57] CLAIM

The ornamental design for a scroll saw, substantially as shown.

DESCRIPTION

FIG. 1 is a front and top left-side perspective view of a scroll saw showing my new design; FIG. 2 is a left-side elevational view thereof; FIG. 3 is a right-side elevational view thereof; FIG. 4 is a front elevational view thereof; FIG. 5 is a rear elevational view thereof; FIG. 6 is a top plan view thereof; and FIG. 7 is a bottom plan view thereof.



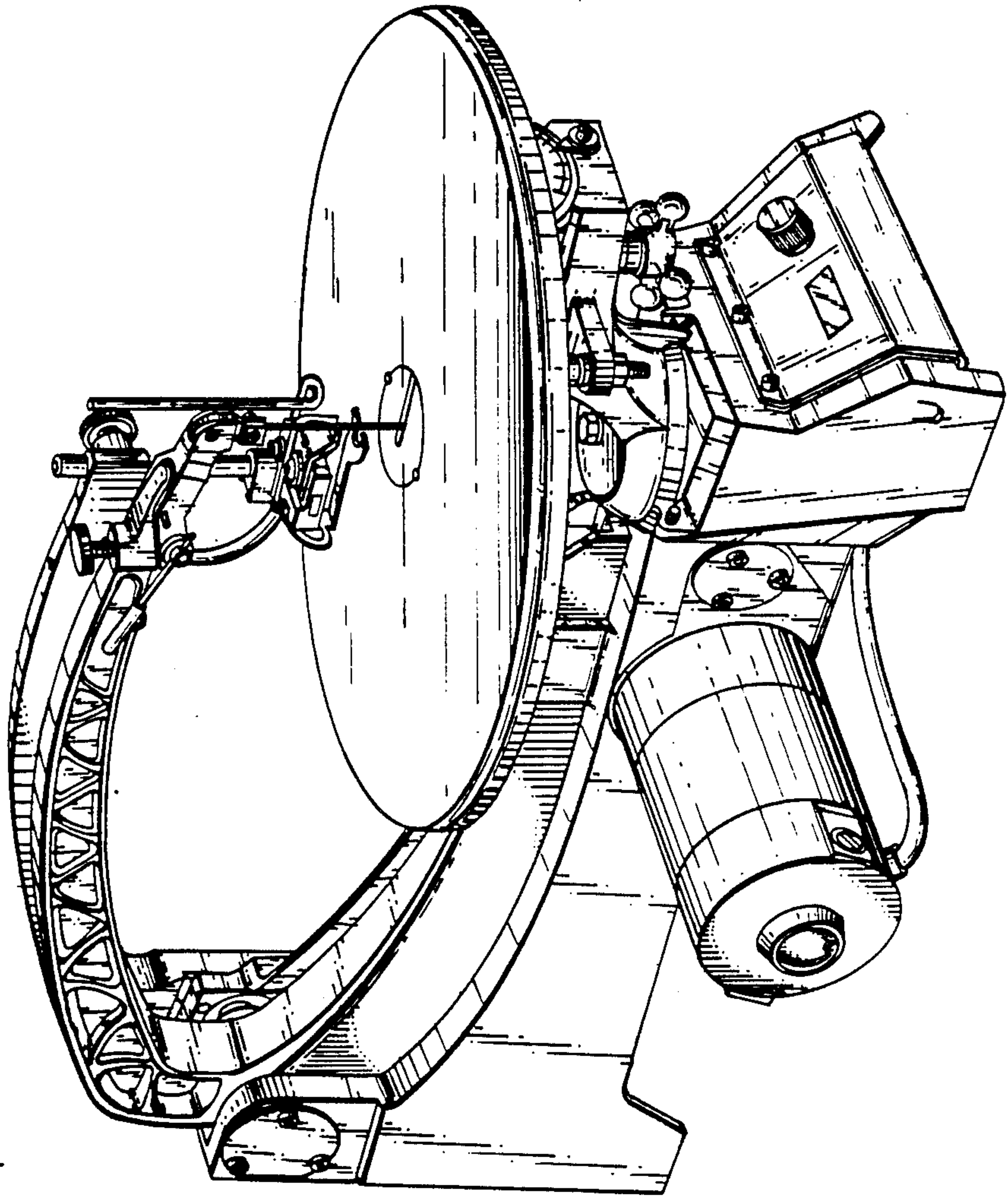


FIG. 1

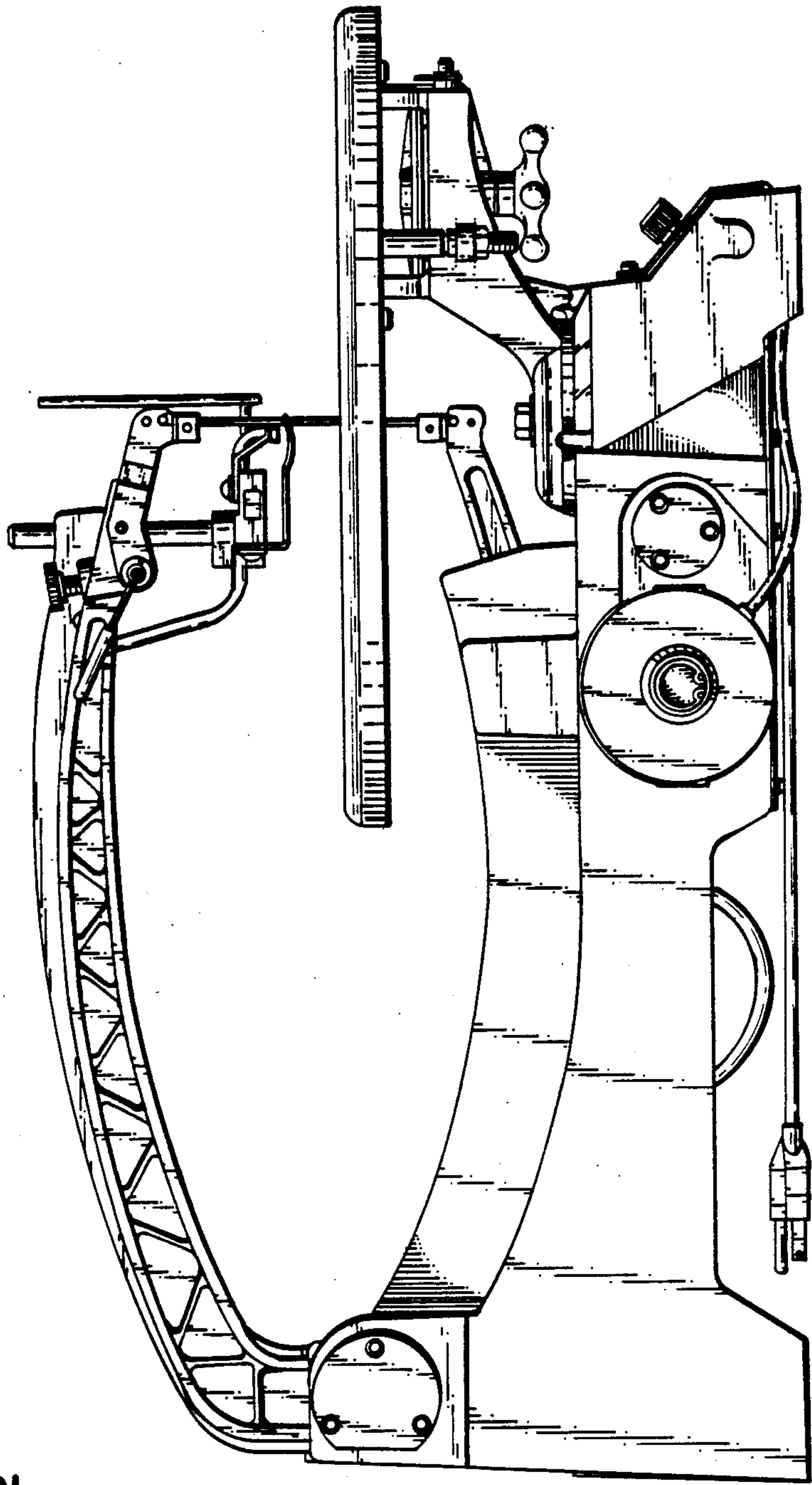


FIG. 2

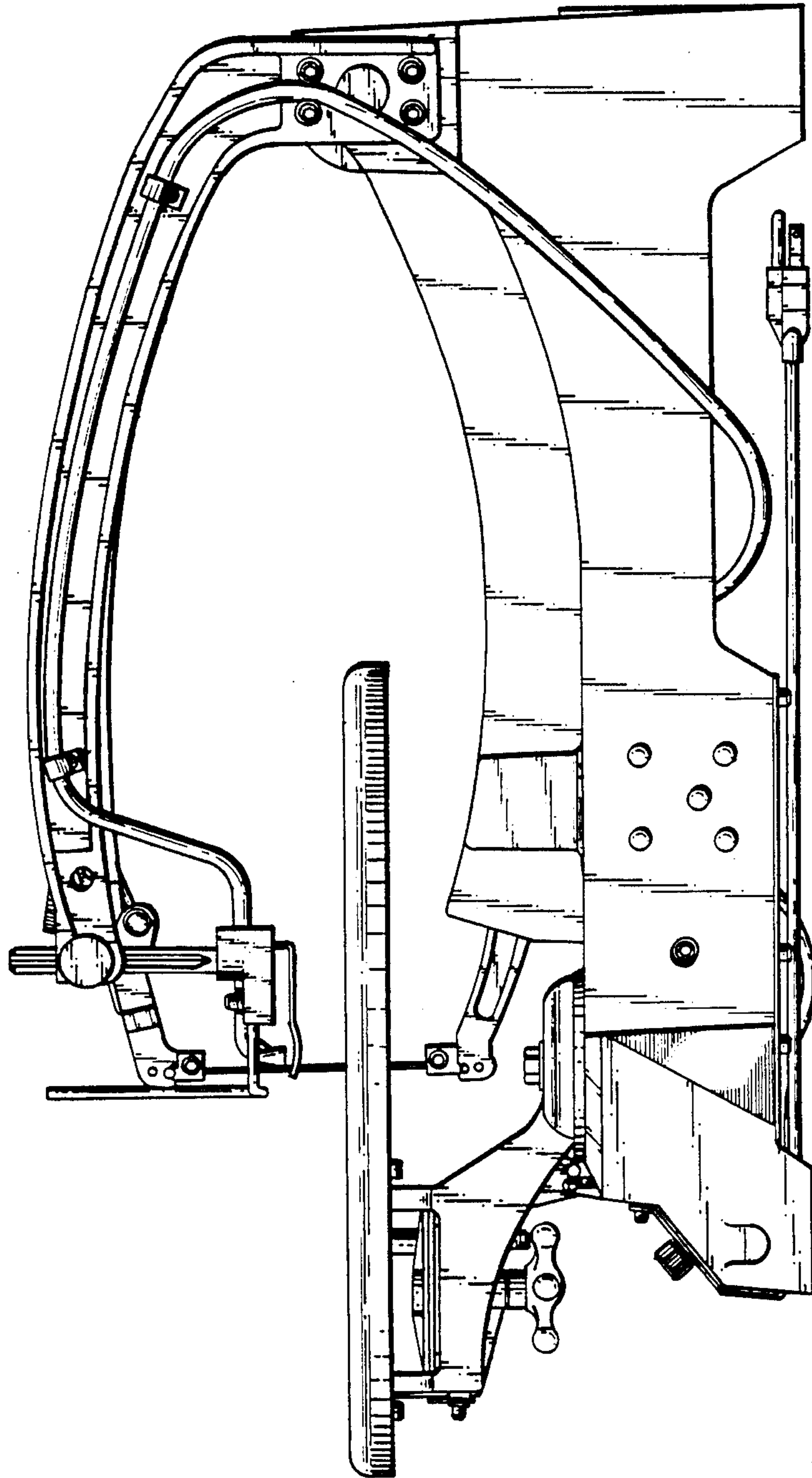


FIG. 3

FIG. 4

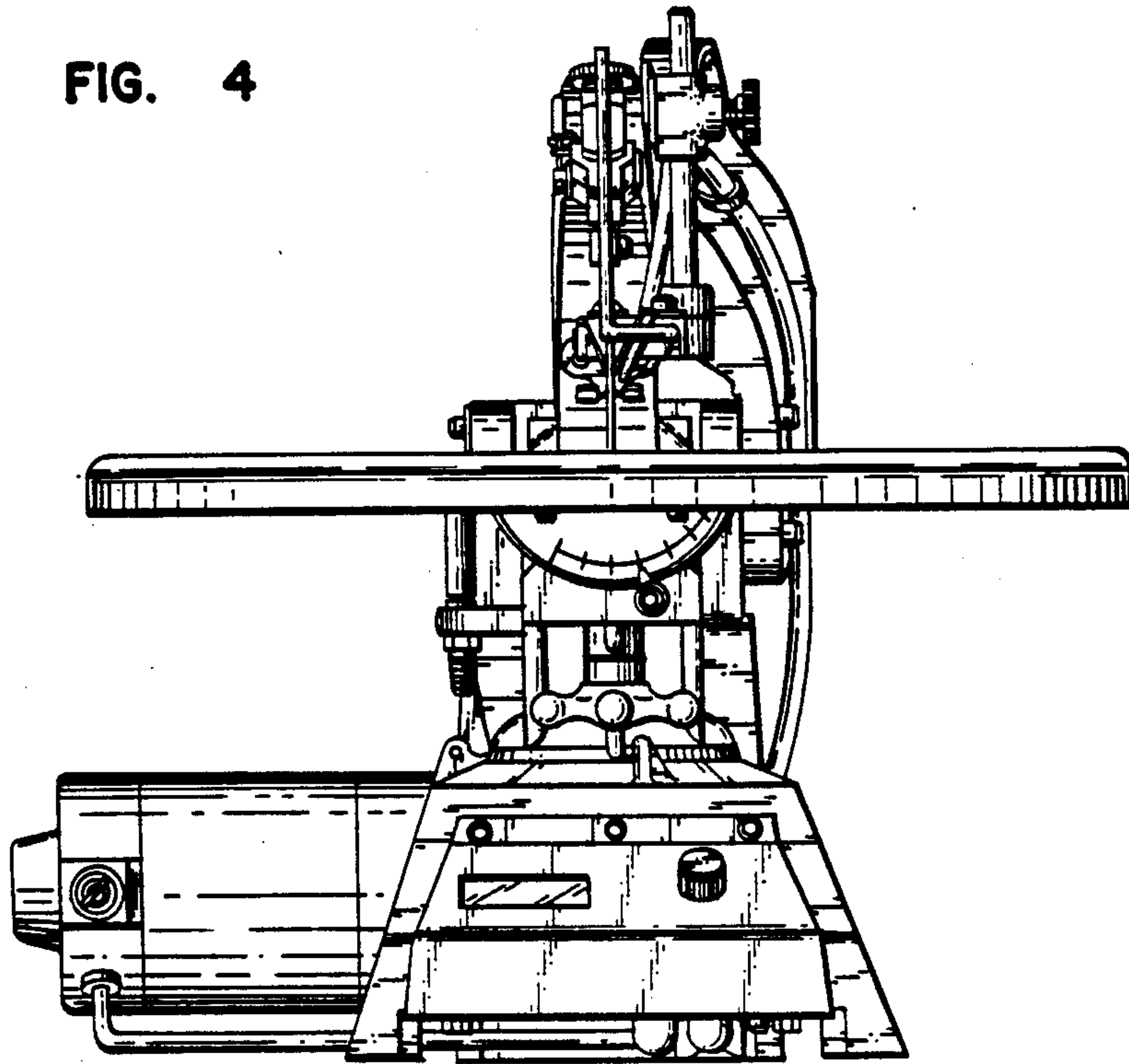


FIG. 5

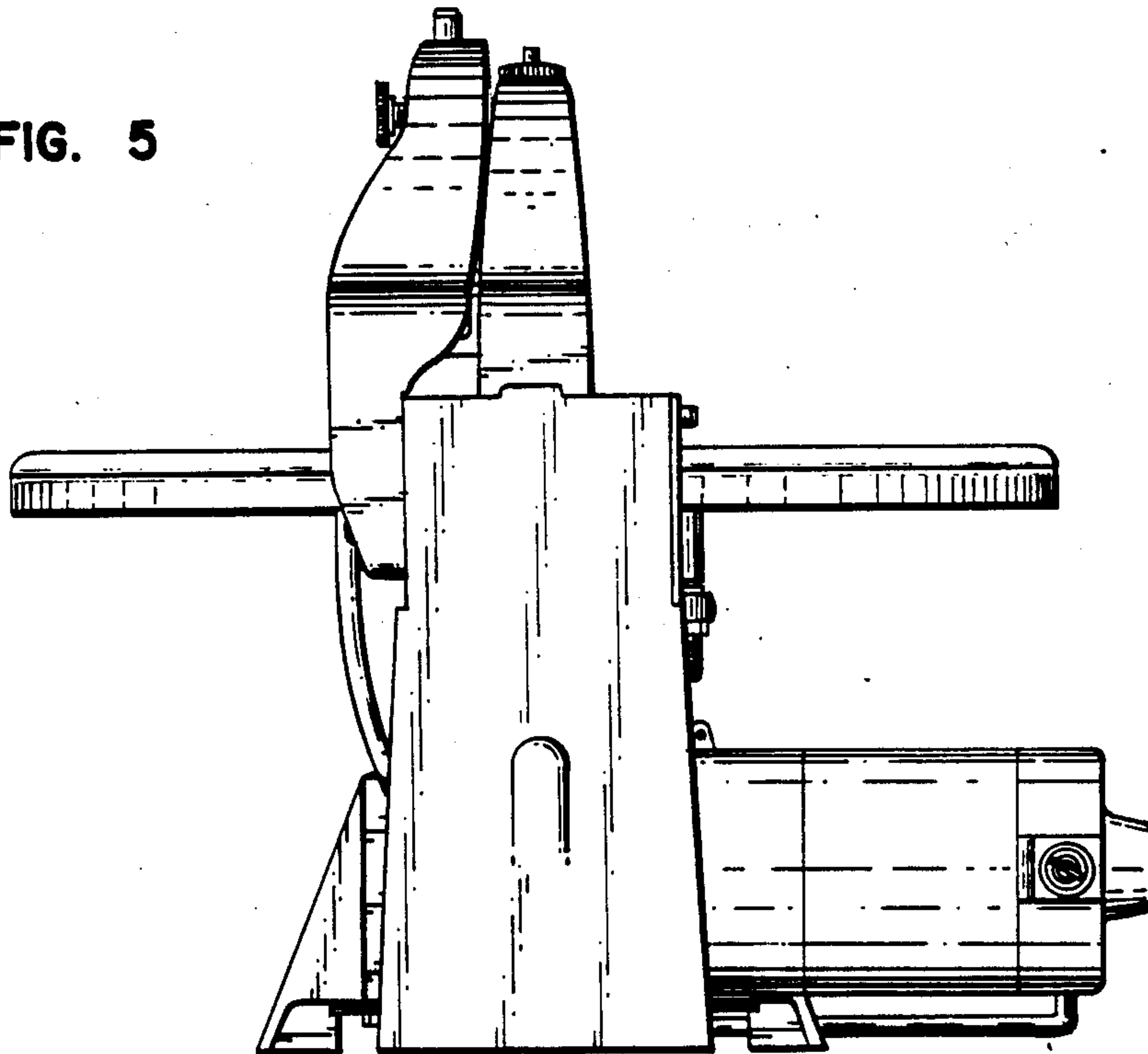


FIG. 6

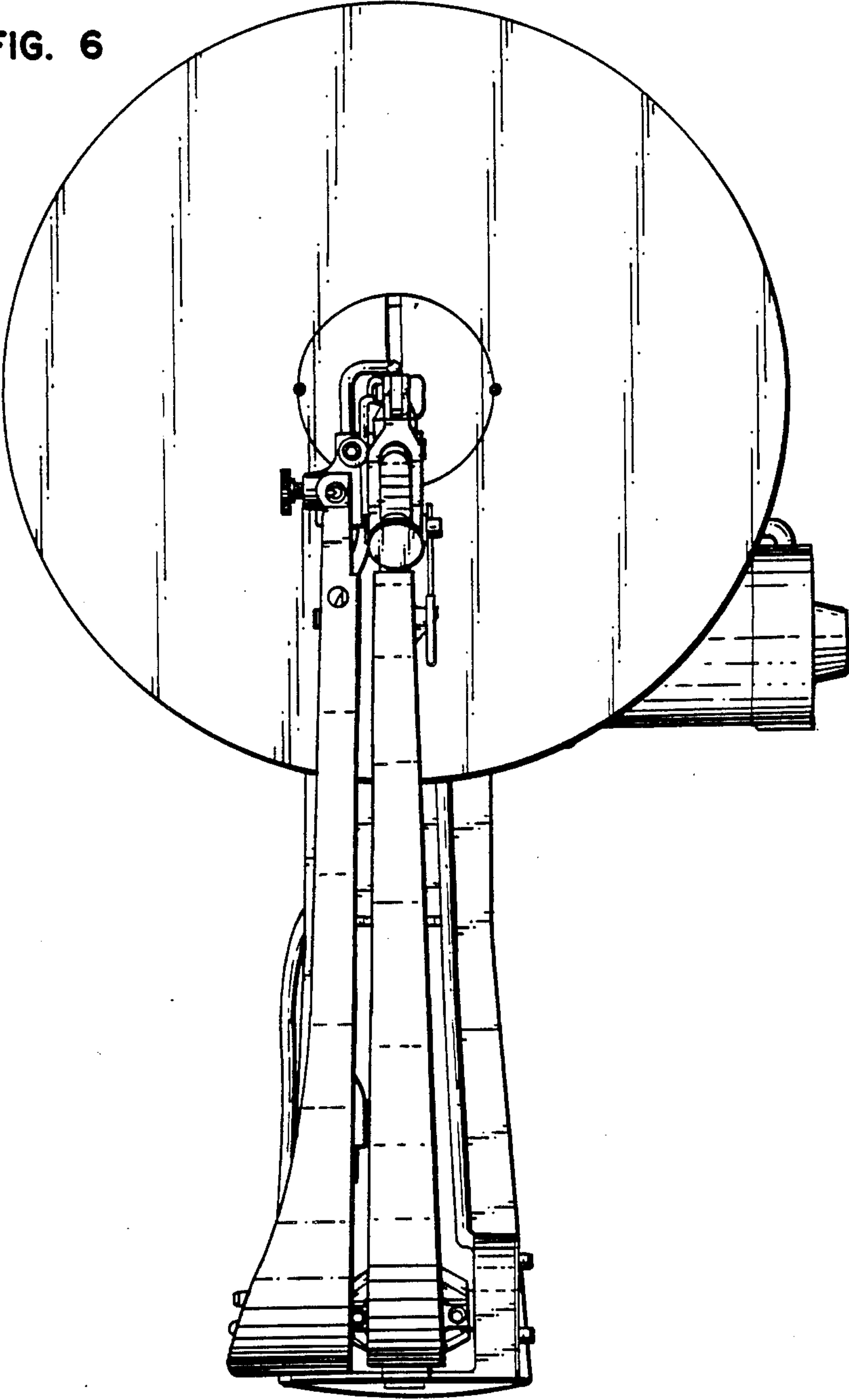


FIG. 7

