

[54] PORTABLE REFRIGERATOR

[76] Inventors: Mervyn H. Shapiro, 18100 Burbank Blvd., Apt. 13A, Tarzana, Calif. 91356; Vera Brown, 1109 San Ysidro, Beverly Hills, Calif. 90212; Yoram Fishman, 3300 Wonderview, Los Angeles, Calif. 90068

[**] Term: 14 Years

[21] Appl. No.: 734,334

[22] Filed: May 13, 1985

[52] U.S. Cl. D15/83; D7/77

[58] Field of Search D15/79, 81, 82, 83; 62/3, 312, 239, 244, 340, 342, 344, 371-372, 426, 457, 459, 440; D6/432; D7/77, 78; 220/DIG. 10, DIG. 8; D3/39, 40, 73, 76

[56] References Cited

U.S. PATENT DOCUMENTS

D. 107,767 1/1938 Frick D15/89

D. 181,880	1/1958	Rosen et al.	D3/76
D. 206,212	11/1966	Heitler et al.	D3/39
D. 252,605	8/1979	Corini	D7/77
2,496,296	2/1950	Lobl	62/371
3,432,025	3/1969	Luhe	D7/77

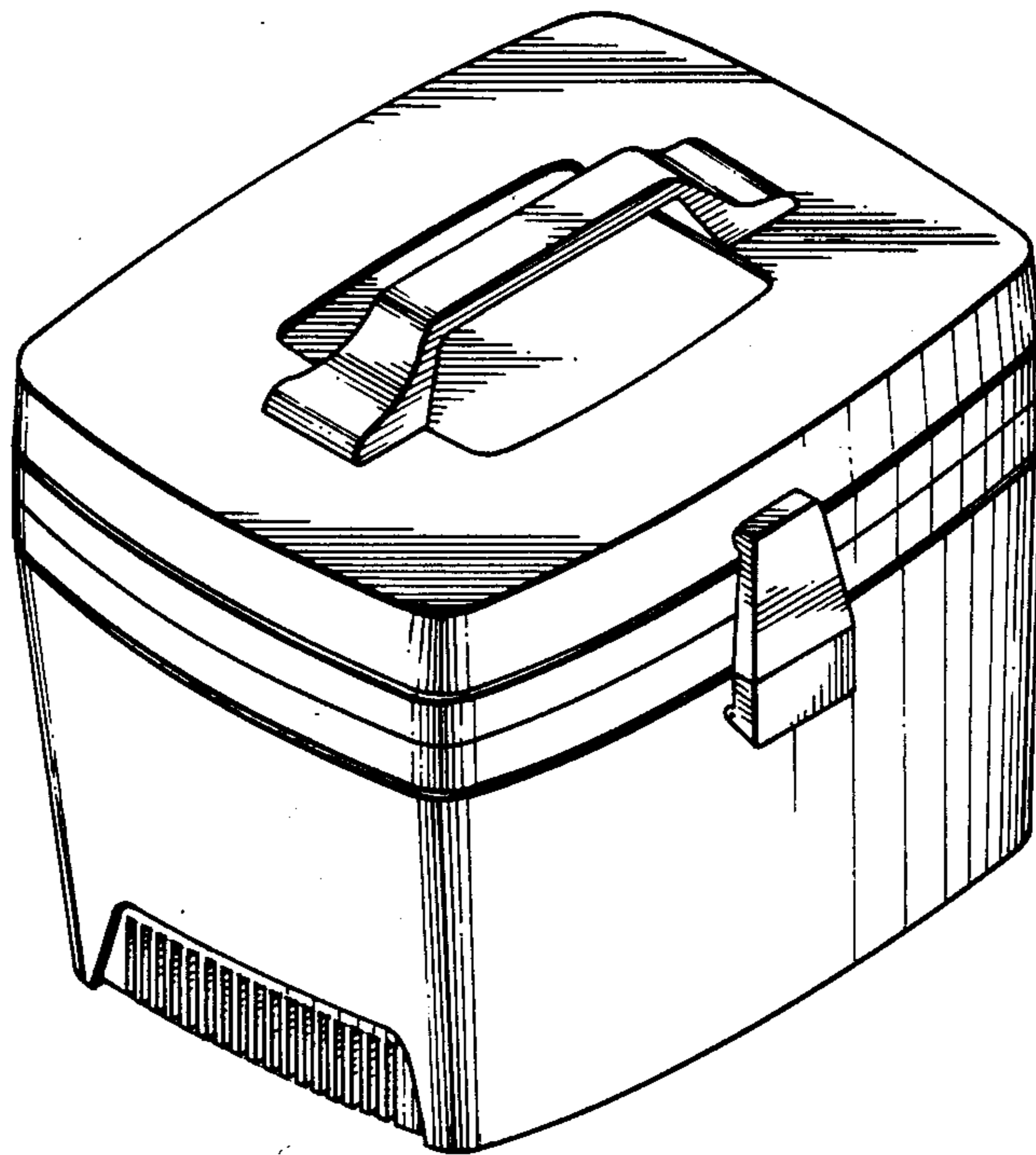
Primary Examiner—Wallace R. Burke
Assistant Examiner—Ruth E. Takemoto
Attorney, Agent, or Firm—Lyon & Lyon

[57] CLAIM

The ornamental design for a portable refrigerator, as shown and described.

DESCRIPTION

FIG. 1 is a perspective view of a portable refrigerator showing our new design;
FIG. 2 is a top plan view thereof;
FIG. 3 is a front elevational view thereof;
FIG. 4 is a left side elevational view thereof;
FIG. 5 is a right side elevational view thereof;
FIG. 6 is a rear elevational view thereof; and
FIG. 7 is a bottom plan view thereof.



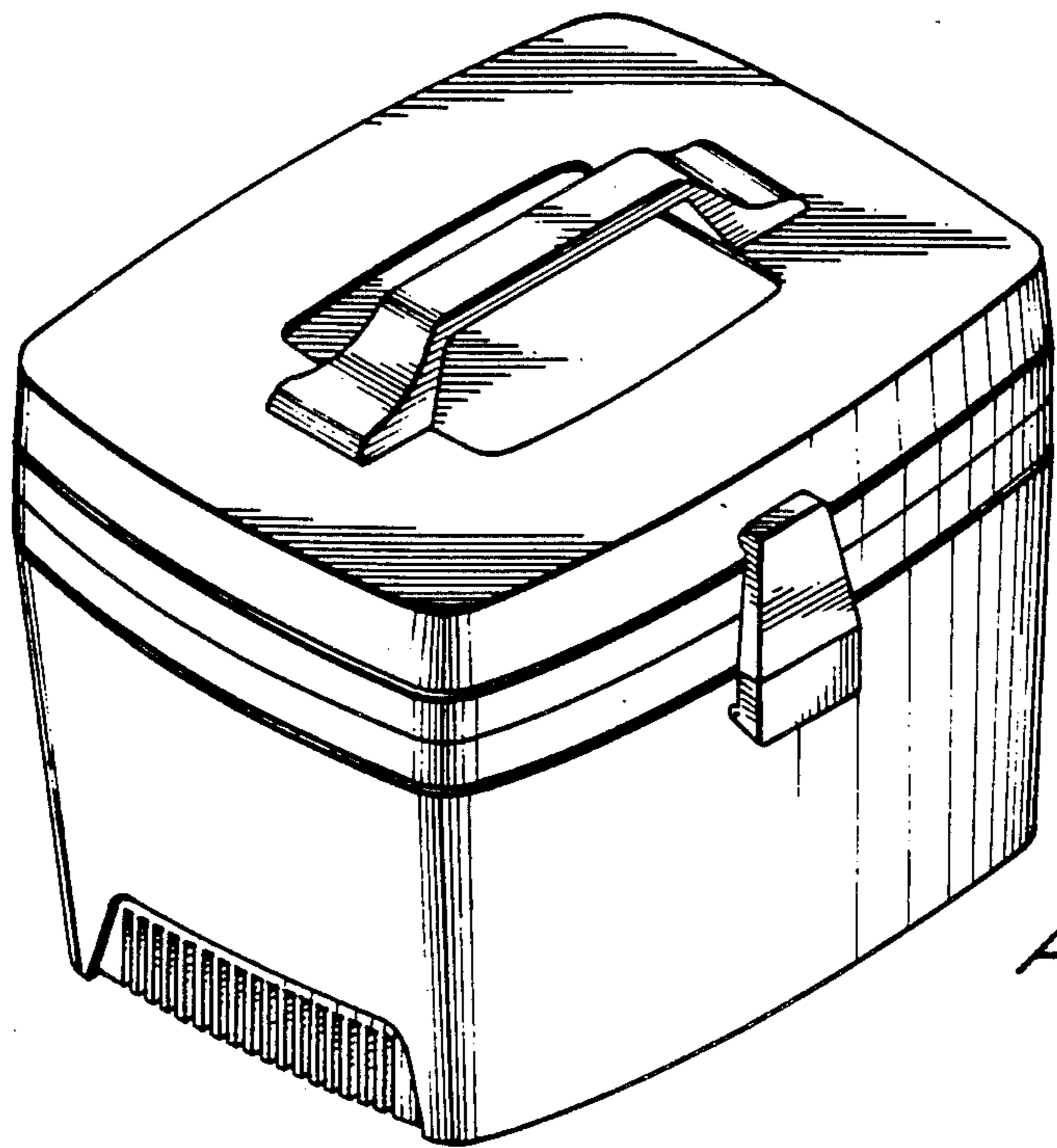


FIG. 1.

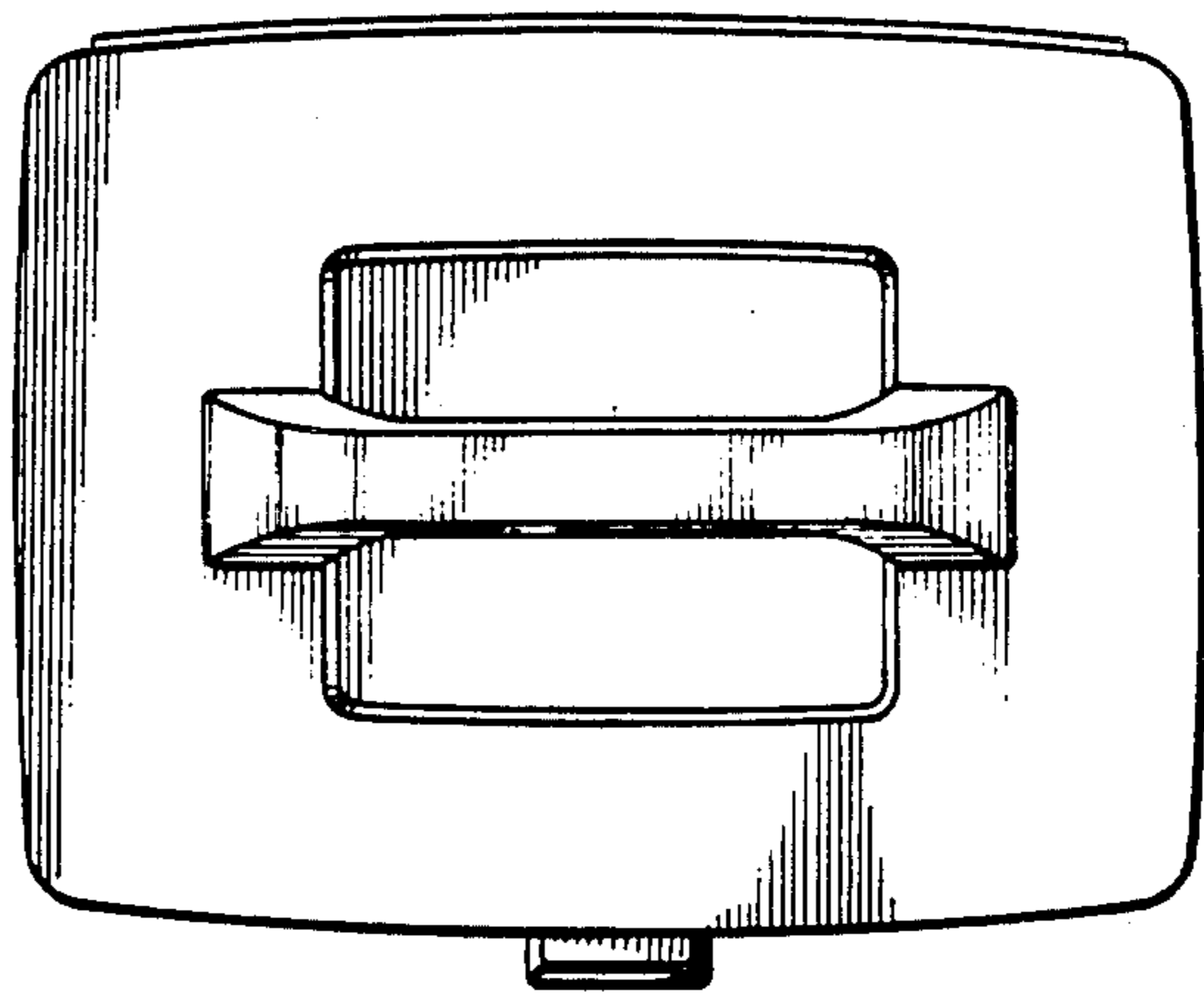


FIG. 2.

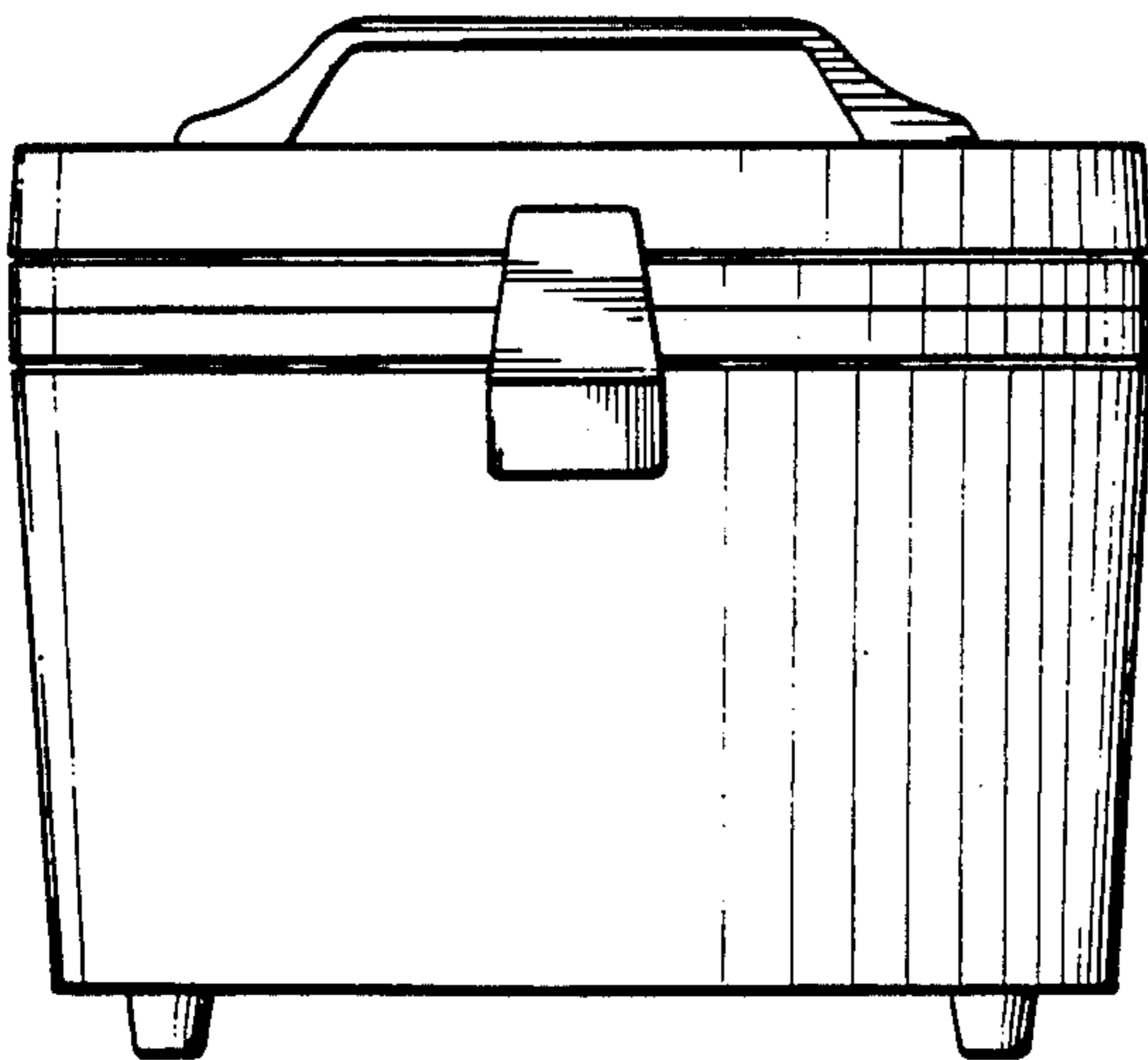


FIG. 3.

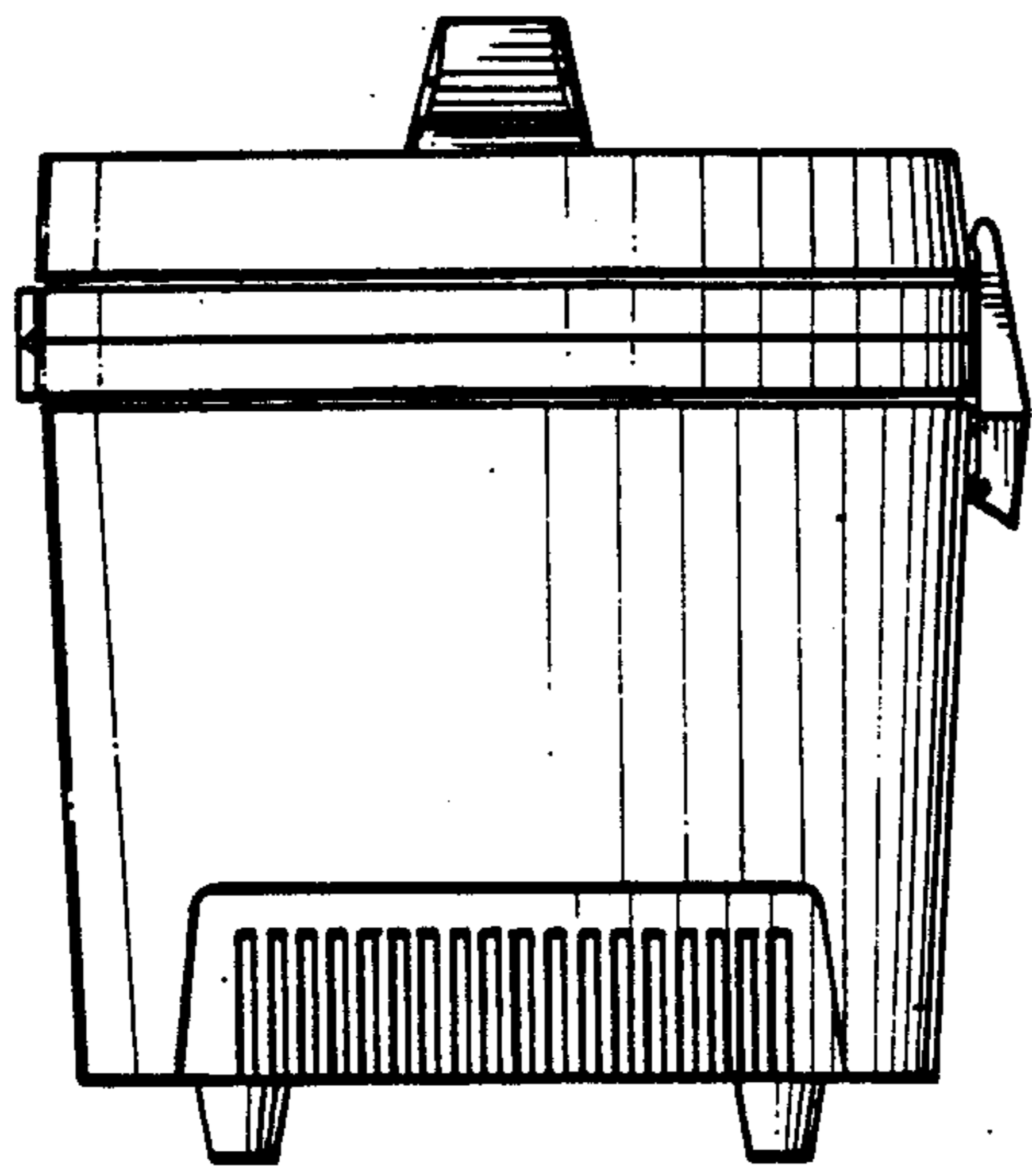


FIG. 4.

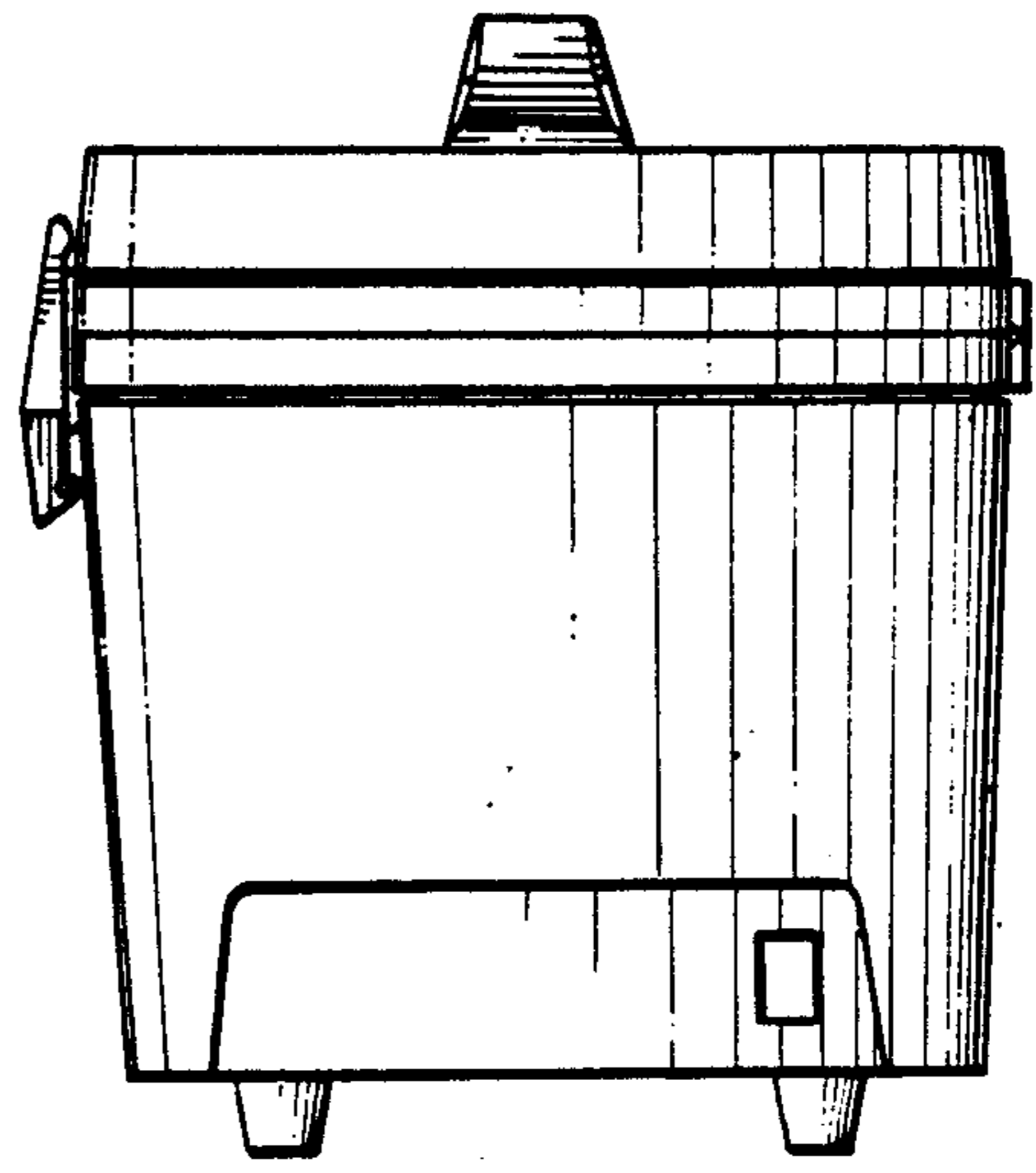


FIG. 5.

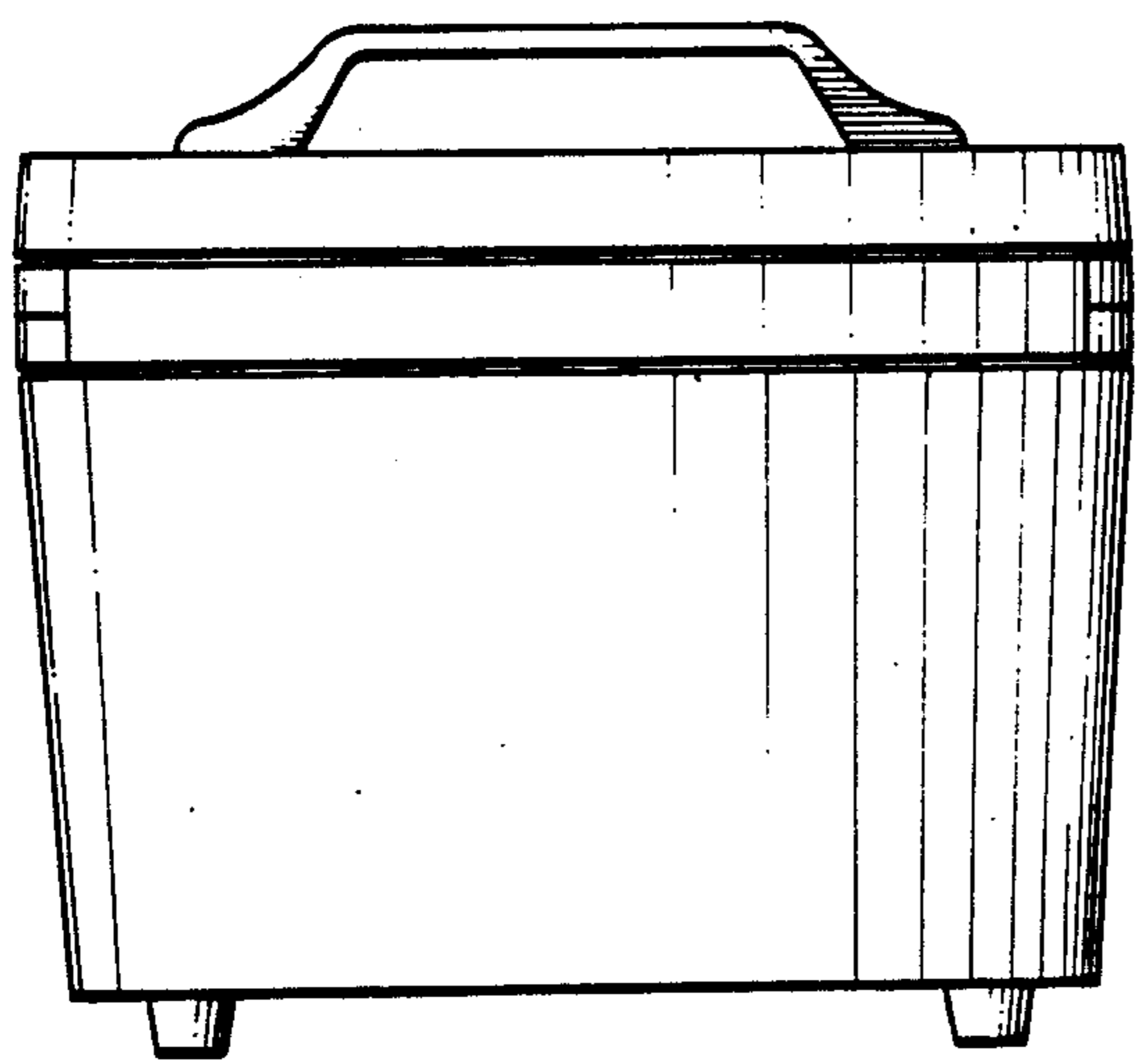


FIG. 6.

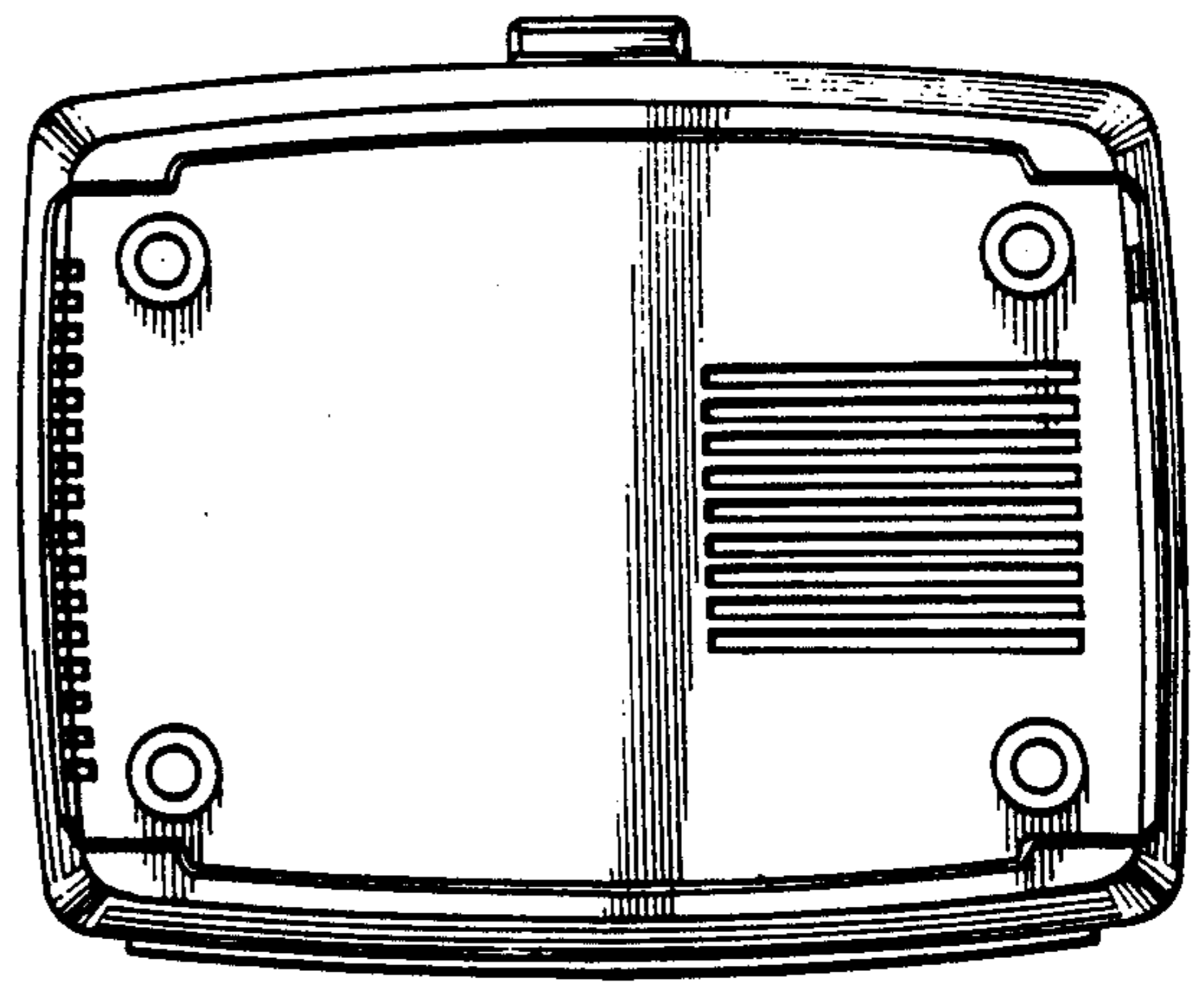


FIG. 1.