

[54] COMPUTERIZED CHECKBOOK REGISTER

[76] Inventor: Charles H. Woods, Jr., 2928 W. 138th St., Gardena, Calif. 90249

[**] Term: 14 Years

[21] Appl. No.: 663,188

[22] Filed: Oct. 22, 1984

[52] U.S. Cl. D14/100; D18/7; D19/26

[58] Field of Search D14/100, 106, 107; 340/36 S, 700, 711, 720; 364/708; D18/5, 7, 11; D3/56; D19/26, 28

[56] References Cited

U.S. PATENT DOCUMENTS

- D. 241,381 9/1976 Garnier D18/7
- D. 274,179 6/1984 Siwula D18/7
- 4,096,577 6/1978 Ferber et al. 364/708 X

- 4,224,675 9/1980 Pinkerman 364/708 X
- 4,517,660 5/1985 Fushimoto et al. 340/365 R X

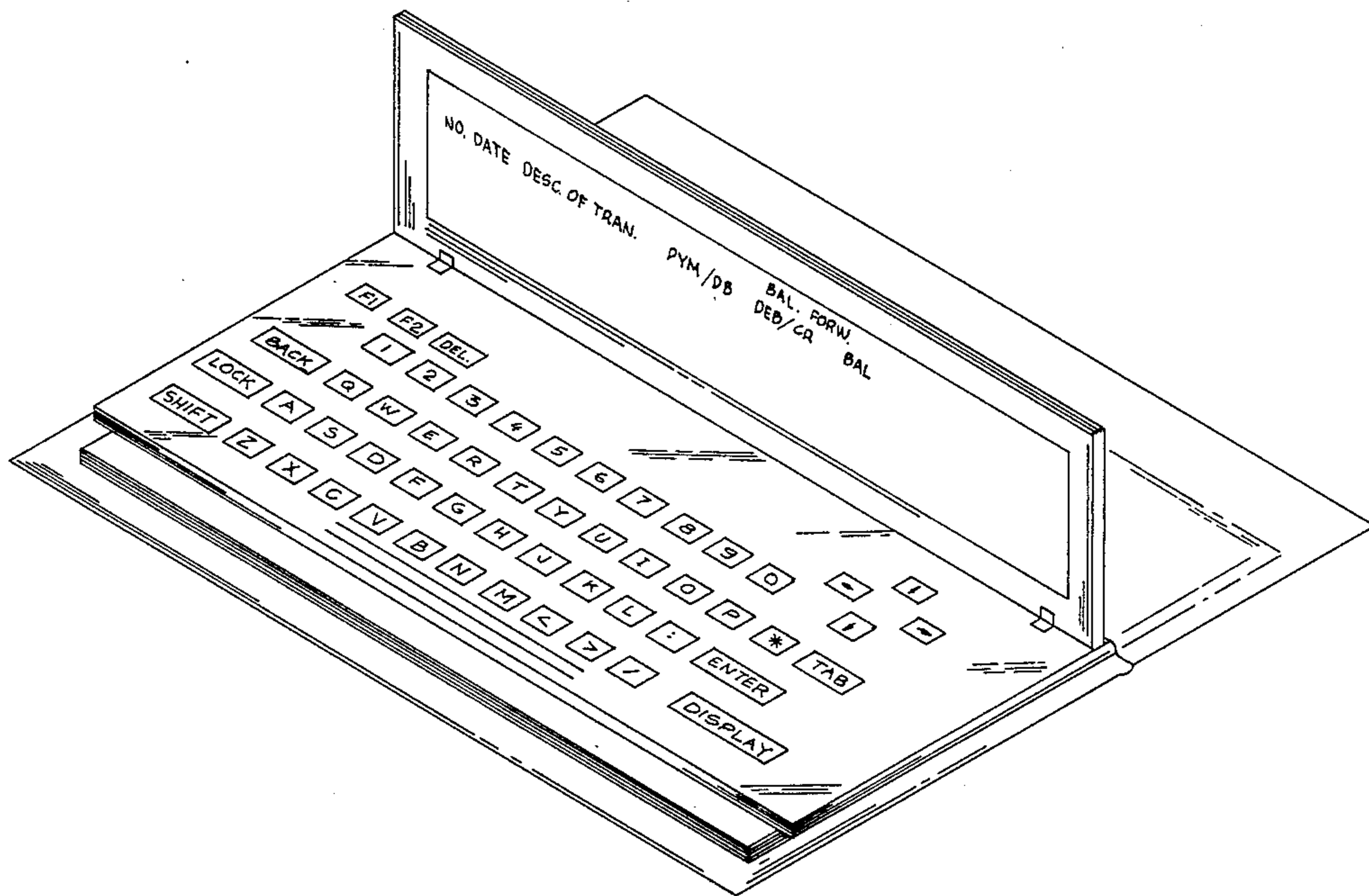
Primary Examiner—Susan J. Lucas
Attorney, Agent, or Firm—Erik M. Arnhem

[57] CLAIM

The ornamental design for a computerized checkbook register, as shown and described.

DESCRIPTION

FIG. 1 is a top, front perspective view of a computerized checkbook register showing my new design, the register being shown in an open, operational condition; FIG. 2 is a top perspective view thereof in a closed condition, the bottom being a mirror image; FIG. 3 is an end elevational view thereof in a closed condition; FIG. 4 is a rear elevational view thereof; FIG. 5 is a rear perspective view thereof in an open condition.



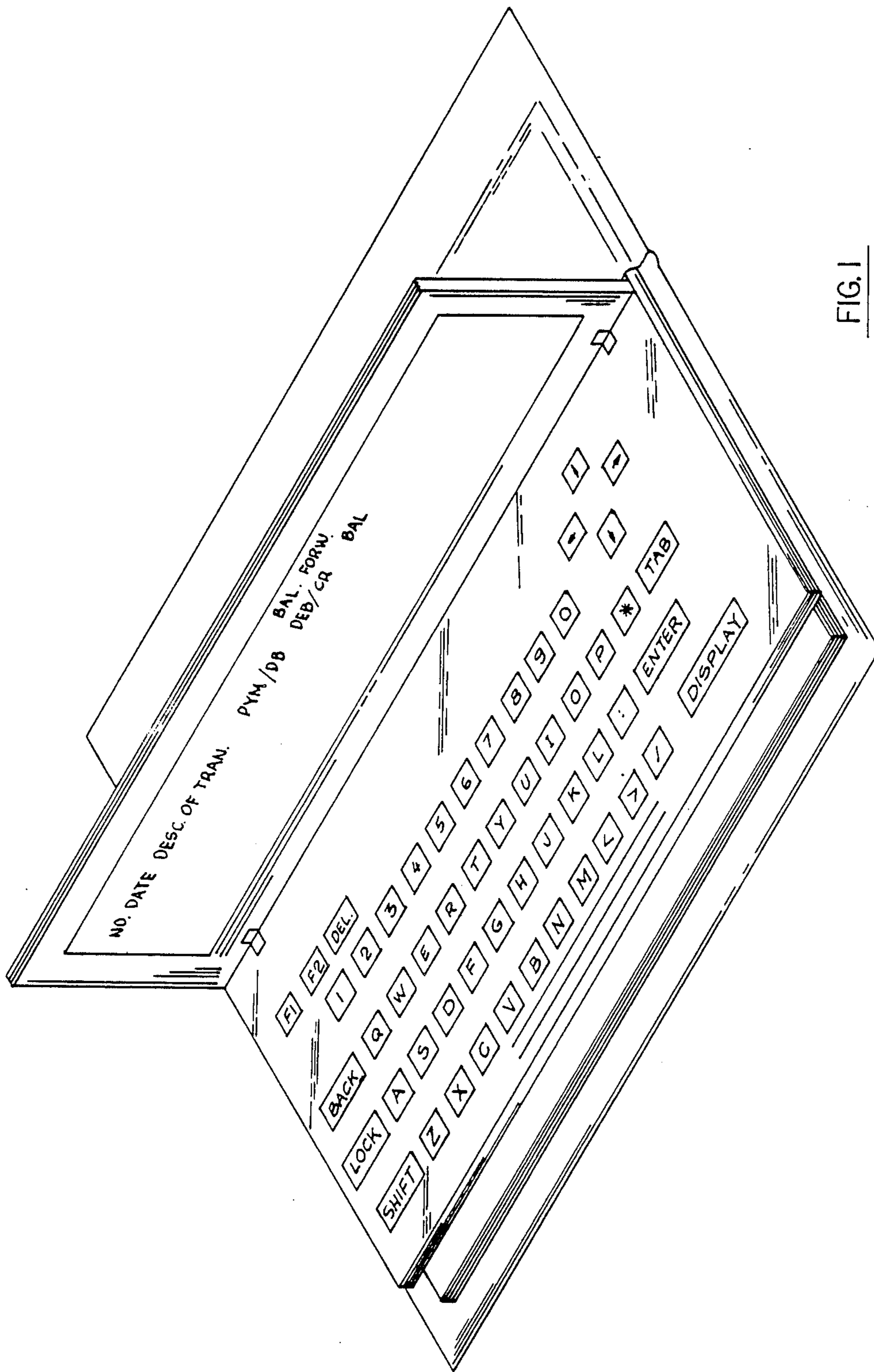


FIG. 1

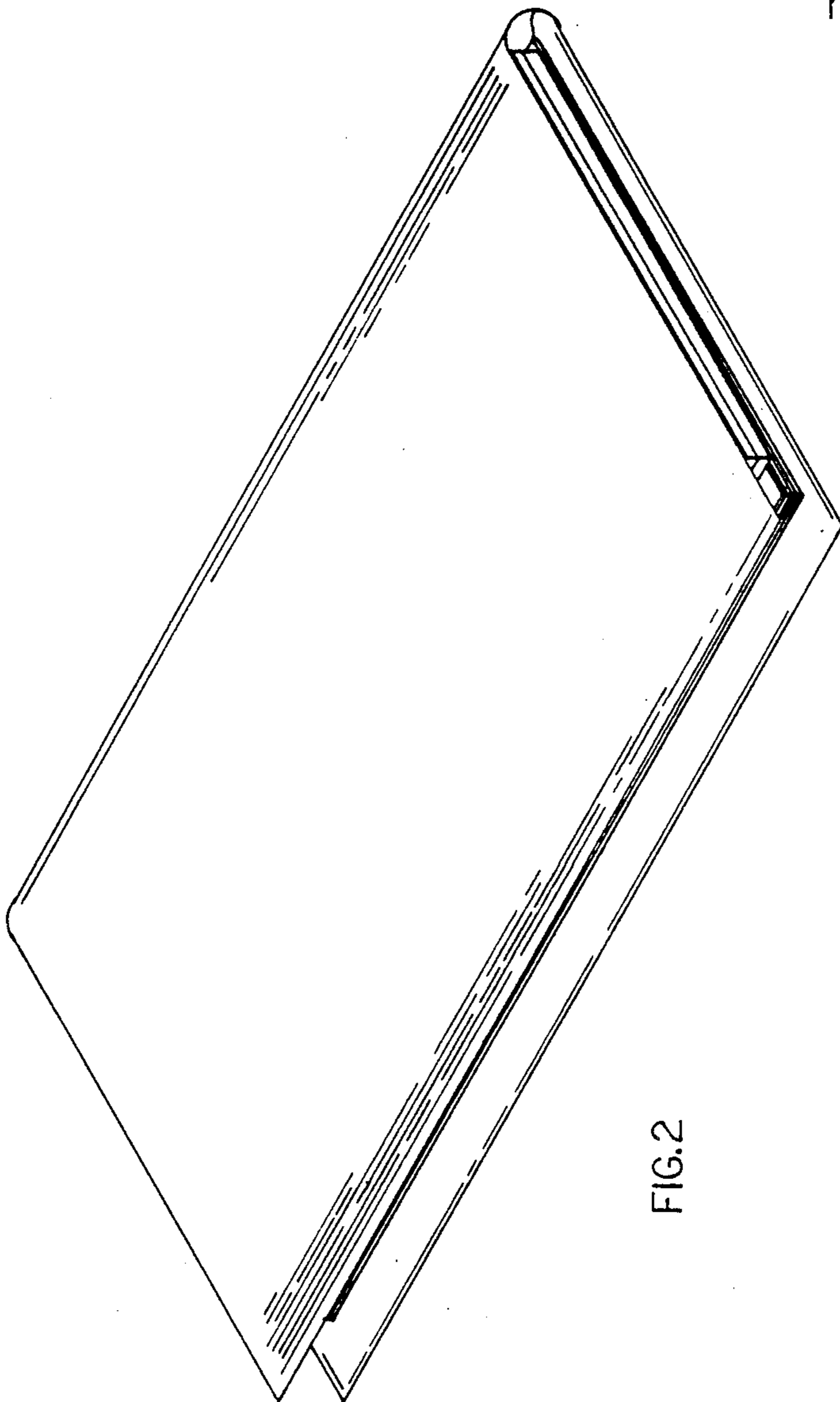


FIG. 2

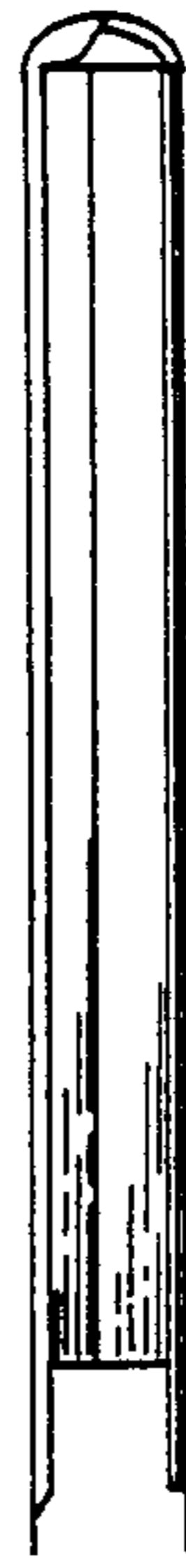


FIG. 3



FIG. 4

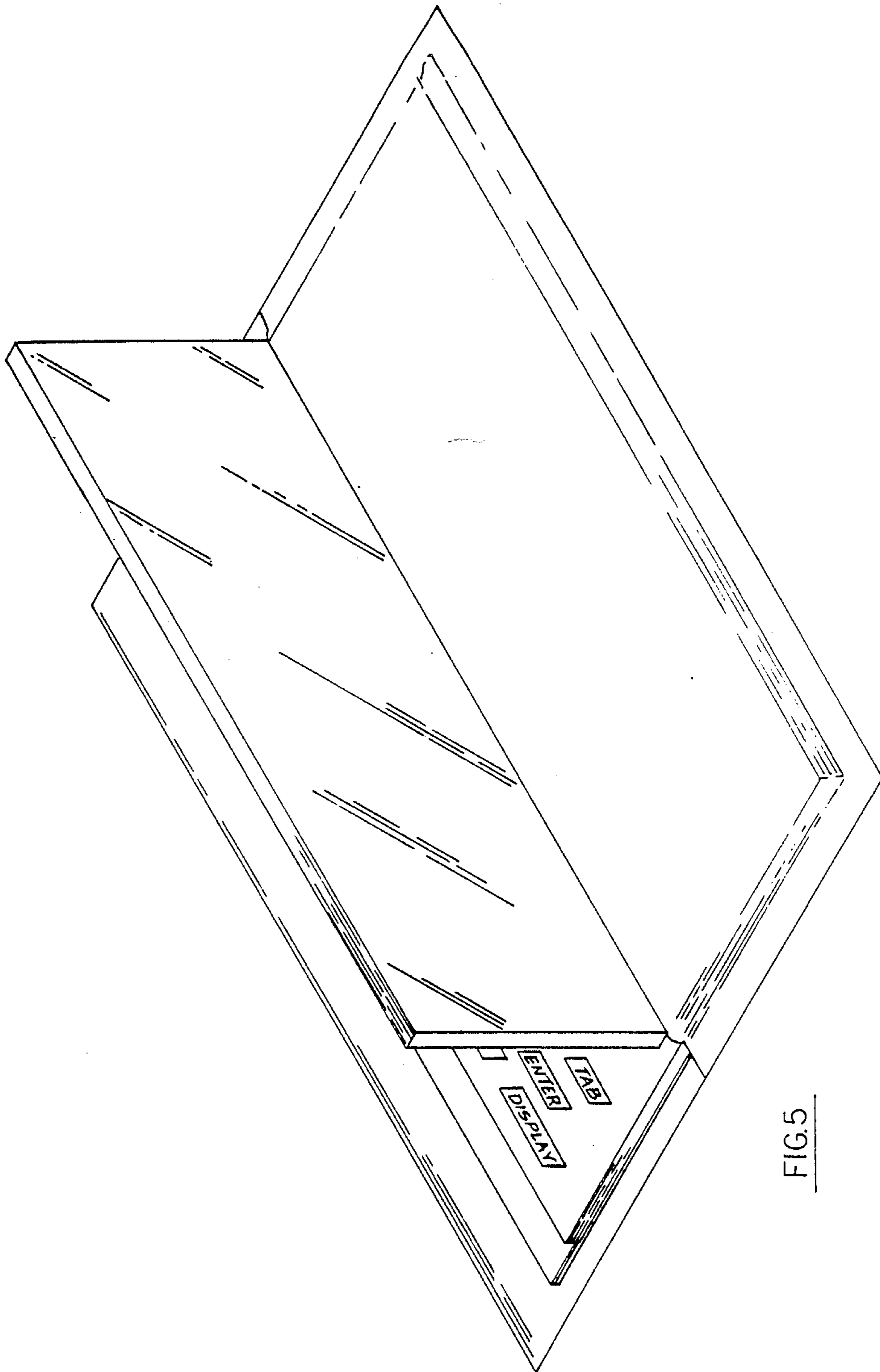


FIG. 5