

[54] **KEYBOARD**

[75] Inventor: Michel D. Arney, Lowell, Mass.

[73] Assignee: Wang Laboratories, Inc., Lowell, Mass.

[\*\*] Term: 14 Years

[21] Appl. No.: 807,053

[22] Filed: Nov. 27, 1985

[52] U.S. Cl. .... D14/100

[58] Field of Search ..... D14/100, 101, 106, 107, D14/114, 115; D18/1, 7, 11, 12; 340/365 R, 711; 364/708; 235/145 R, 146; 200/5 A

[56] **References Cited**

**U.S. PATENT DOCUMENTS**

D. 263,827	4/1982	Pemberton	.....	D14/100
D. 269,442	6/1983	Nakajima et al.	.....	D18/7
D. 275,009	8/1984	Shibata	.....	D14/100
D. 276,230	11/1984	Akiyama	.....	D14/100
D. 281,781	12/1985	Henrard	.....	D14/100
D. 285,922	9/1986	Freige et al.	.....	D14/100
4,527,149	7/1985	Swensen	.....	340/365 R

**OTHER PUBLICATIONS**

Datamation, 7-1983, p. 80, AlfaSkop System 41, Keyboard.

IBM Technical Disclosure bulletin, vol. 25, No. 6, 11-1982, p. 2900, I. Golledge, Keyboard Tilt Mechanism.

*Primary Examiner*—Susan J. Lucas  
*Attorney, Agent, or Firm*—Michael H. Shanahan;  
Gordon E. Nelson

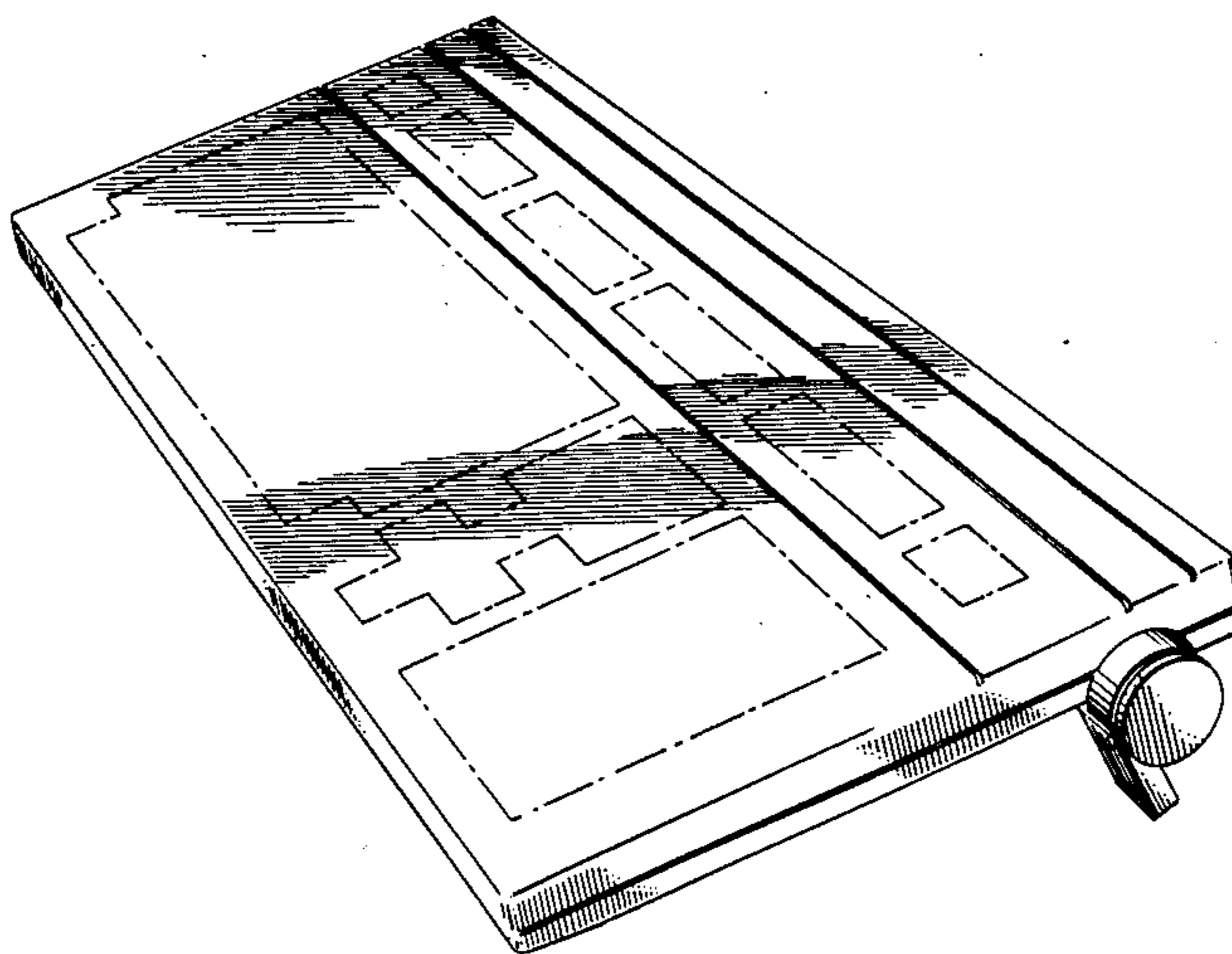
[57] **CLAIM**

The ornamental design for a keyboard, as shown and described.

**DESCRIPTION**

FIG. 1 is a top perspective view from the lower right-hand corner of a keyboard showing my new design with the legs in an extended position;  
 FIG. 2 is a top perspective view from the upper left-hand corner of the keyboard with the legs in an extended position;  
 FIG. 3 is a top view of the keyboard;  
 FIG. 4 is a front view of the keyboard with the legs in an extended position;  
 FIG. 5 is a rear view of the keyboard with the legs in an extended position;  
 FIG. 6 is a left side view of the keyboard with the legs in an extended position;  
 FIG. 7 is a right side view of the keyboard with the legs in an extended position;  
 FIG. 8 is a bottom perspective view from the right hand top corner of the keyboard with the legs in an extended position;  
 FIG. 9 is a top perspective view from the lower right-hand corner of a keyboard with the legs in a retracted position;  
 FIG. 10 is a top perspective view from the upper left-hand corner of the keyboard with the legs in a retracted position;  
 FIG. 11 is a bottom perspective view from the right hand top corner of the keyboard with the legs in a retracted position.

The outlines of the keys on the keyboard are shown in broken line in FIGS. 1, 2, 3, 4, 9 and 10 for illustrative purposes only.



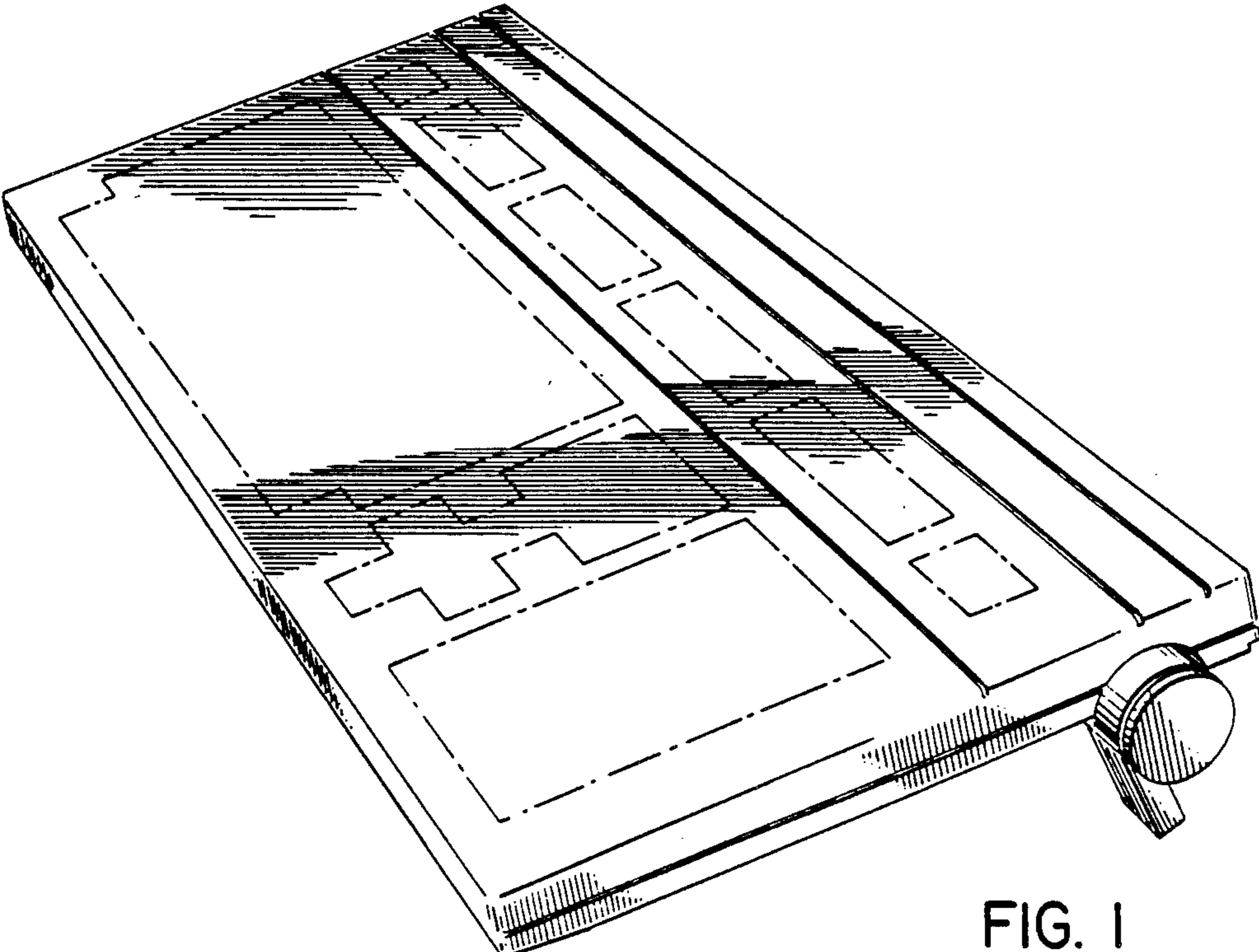


FIG. 1

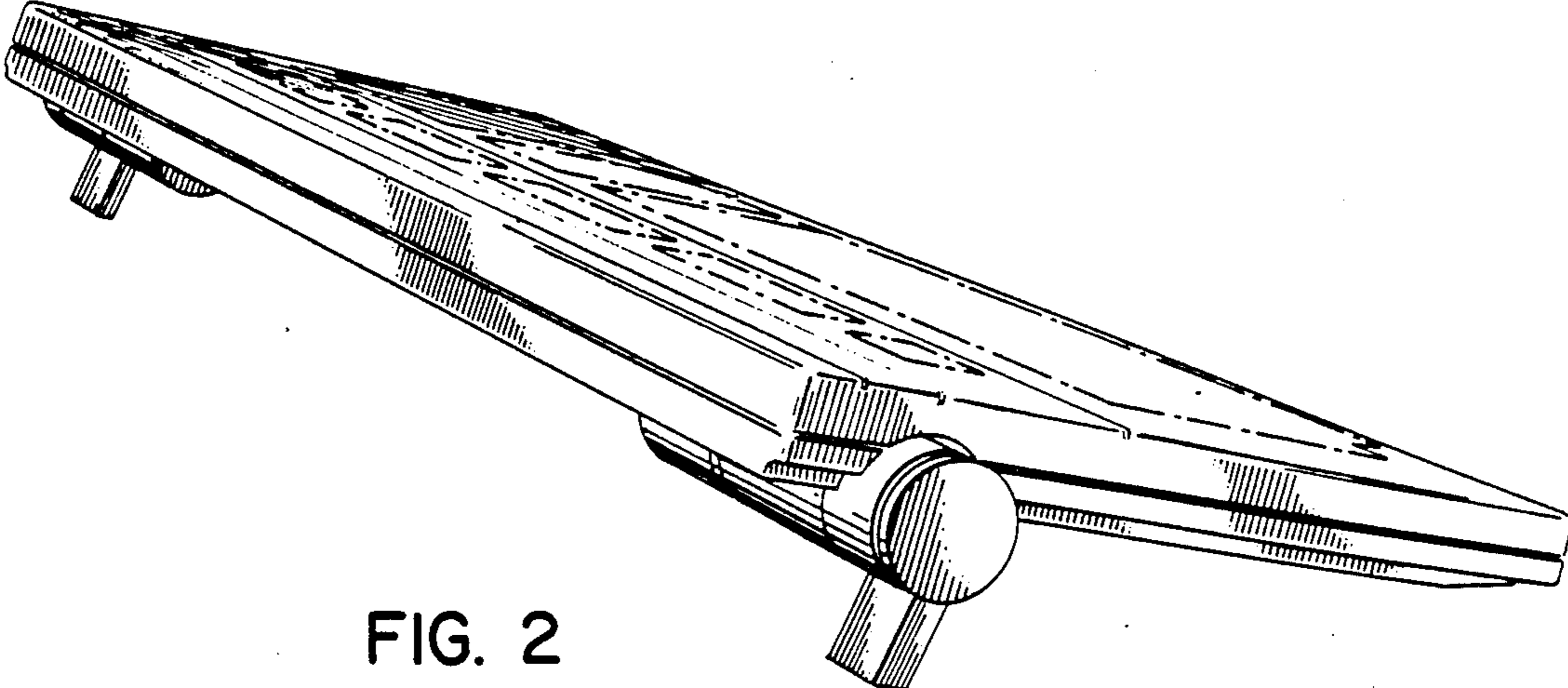


FIG. 2

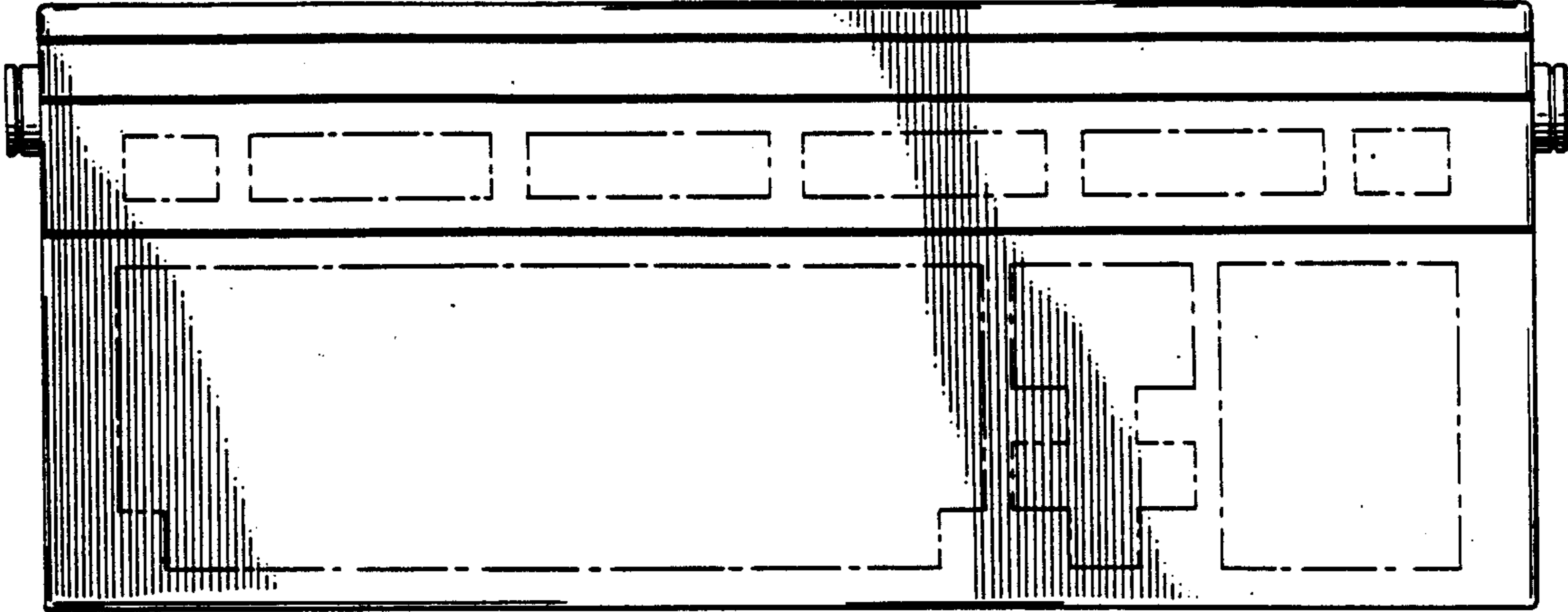


FIG. 3

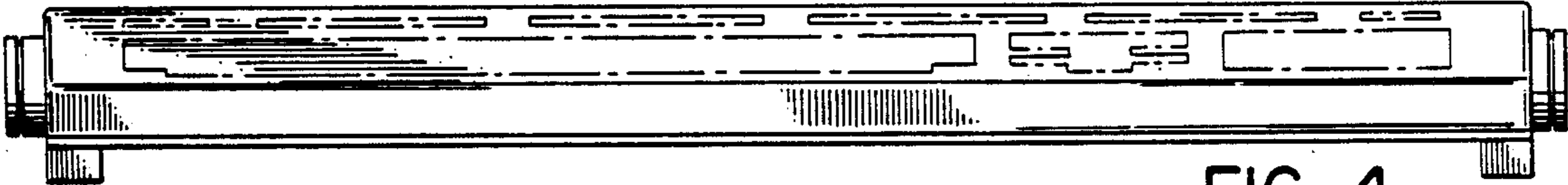


FIG. 4

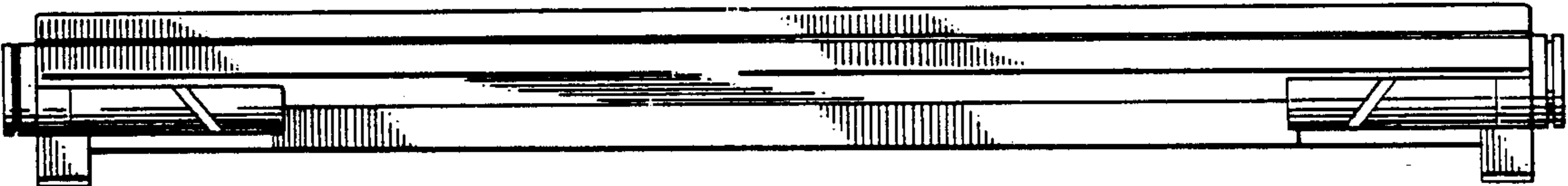


FIG. 5



FIG. 6

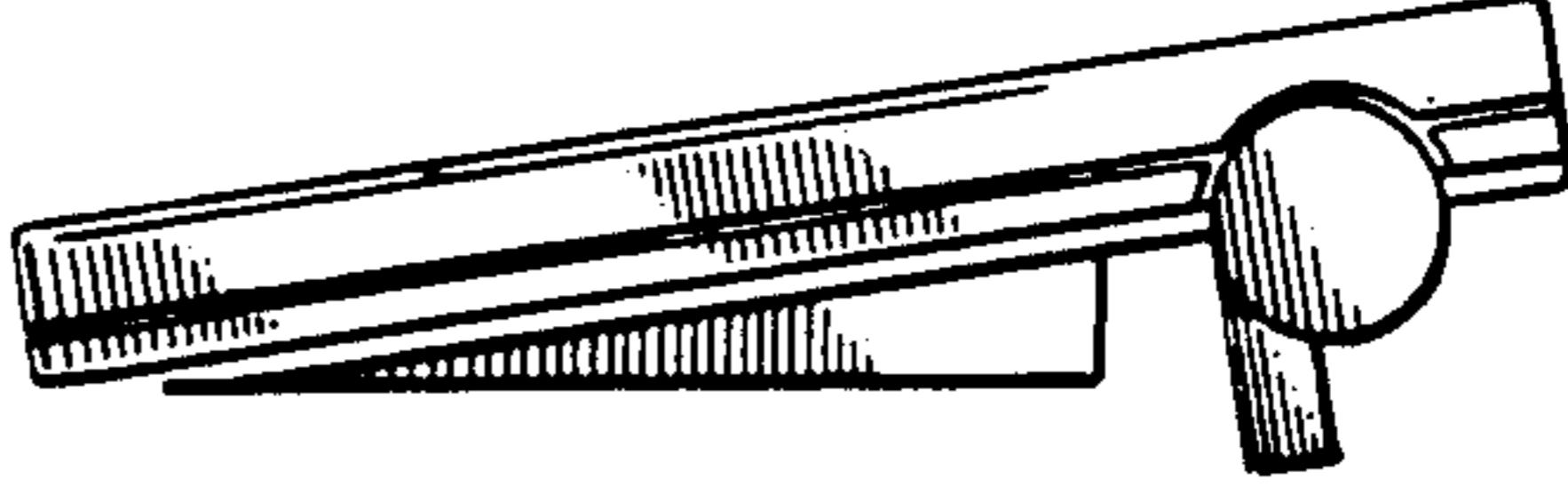


FIG. 7

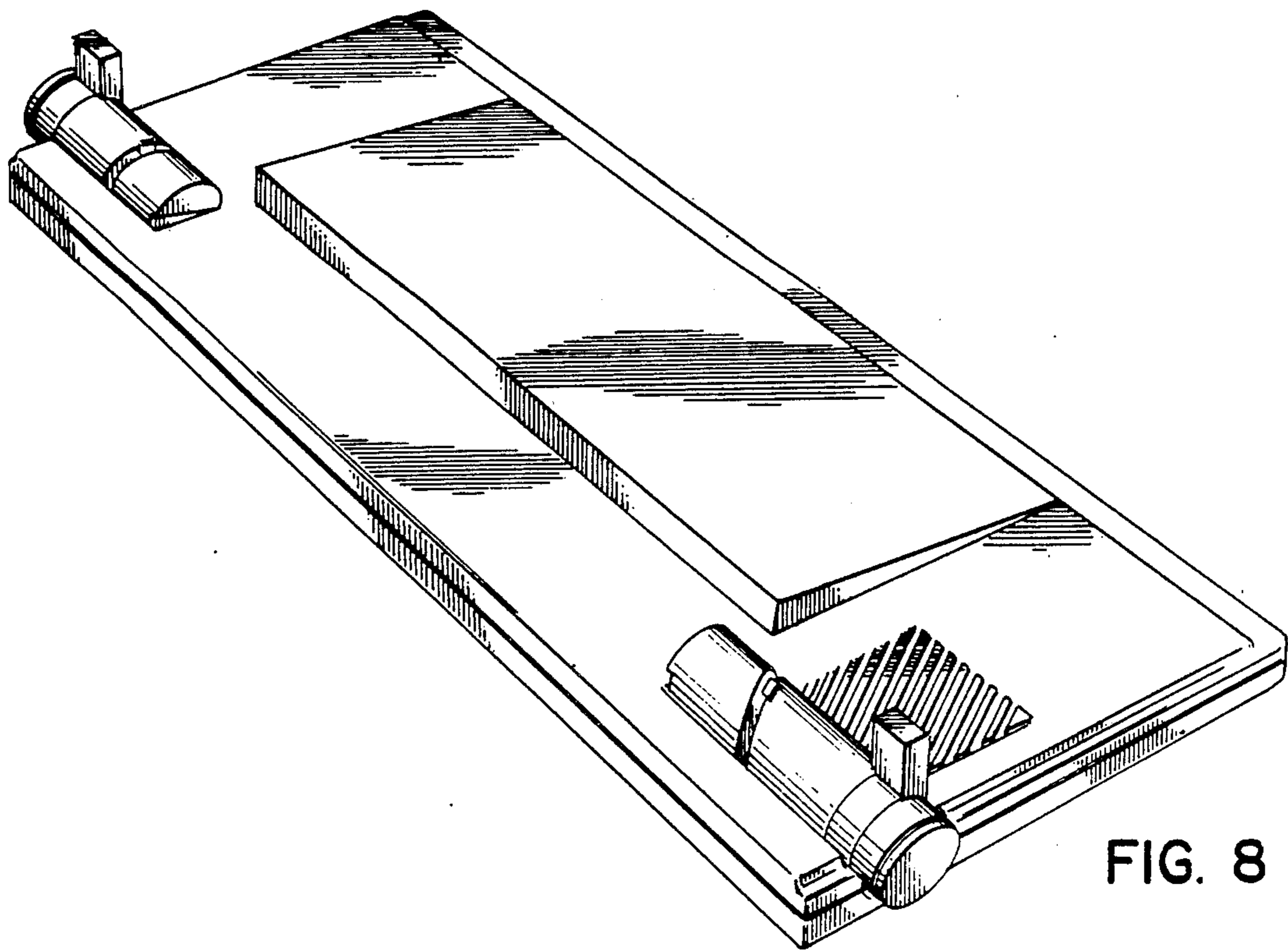


FIG. 8

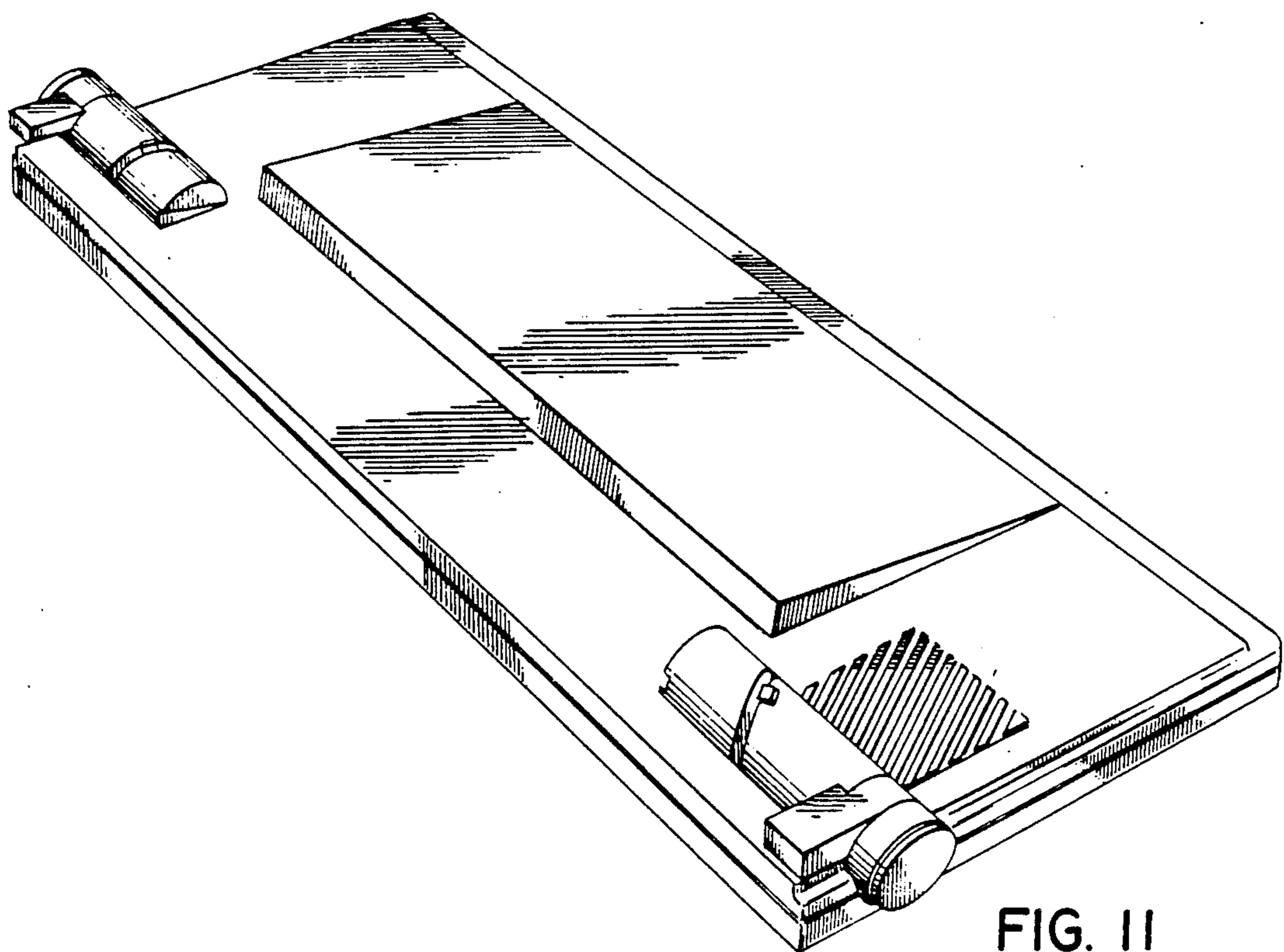


FIG. 11

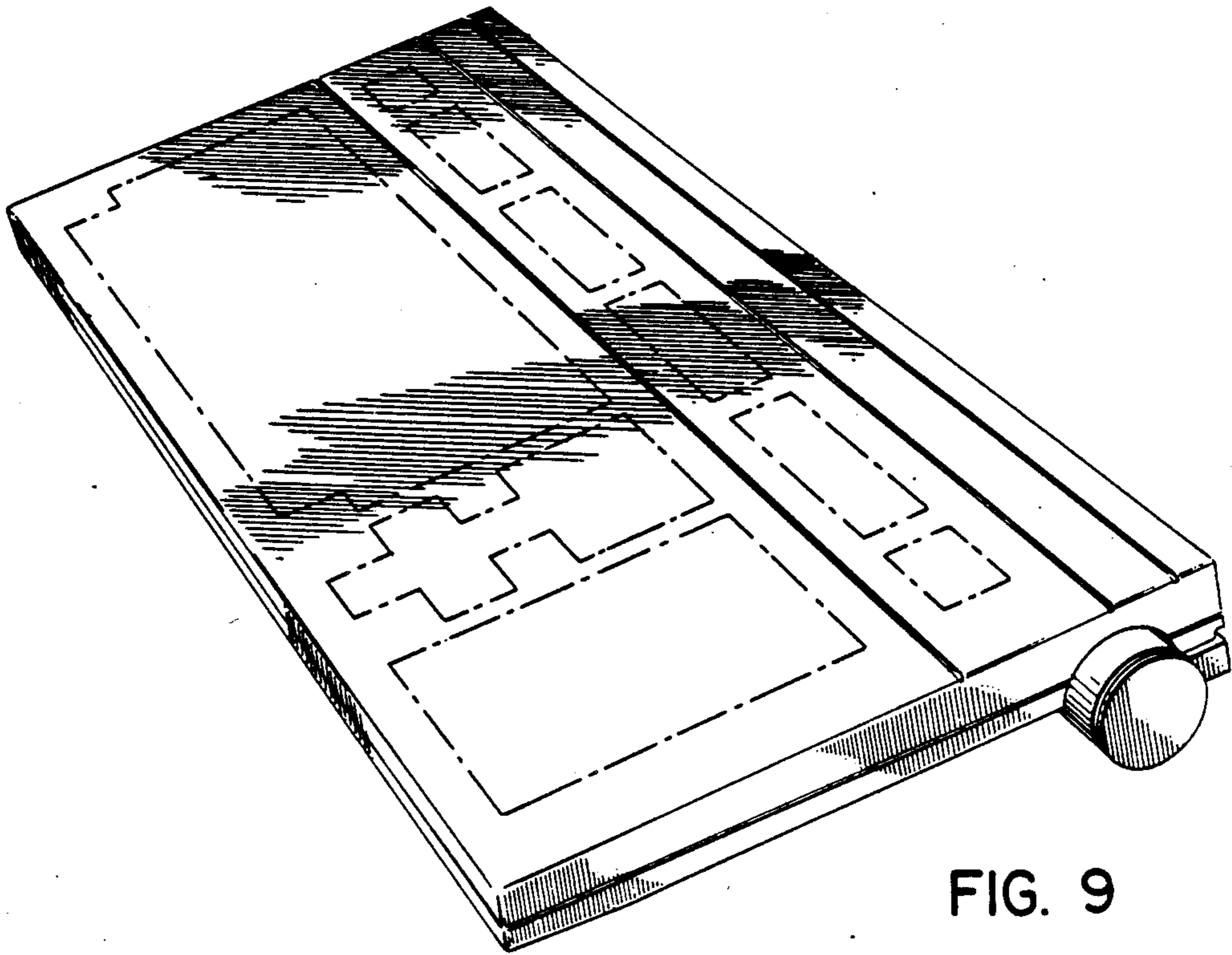


FIG. 9

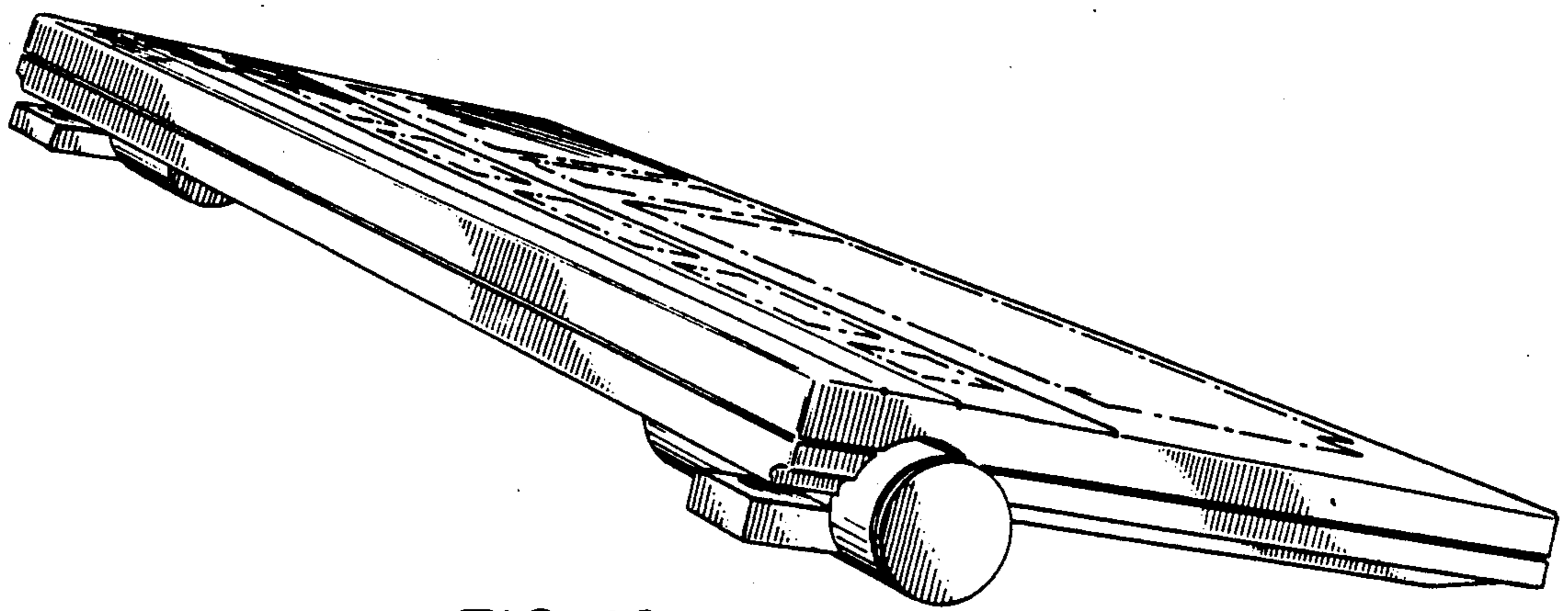


FIG. 10