

[54] UNIVERSAL ANTENNA MOUNT

[76] Inventor: Lawrence T. Fahy, 4857 Gransback St., Philadelphia, Pa. 19120

[\*\*] Term: 14 Years

[21] Appl. No.: 782,873

[22] Filed: Oct. 2, 1985

[52] U.S. Cl. .... D14/91; D14/90

[58] Field of Search ..... D14/86-91, D14/99; 343/840, 907, 880, 881, 882, 912, 914, 915

[56] References Cited

U.S. PATENT DOCUMENTS

- D. 277,578 2/1985 Nichols ..... D14/91
- D. 286,288 10/1986 Skinner et al. .... D14/86 X
- D. 289,163 4/1987 Eriksson ..... D14/86

OTHER PUBLICATIONS

Lafayette catalog No. 740, ©1973, p. 300, bottom right, Antenna Mounts.

Primary Examiner—Bernard Ansher  
Assistant Examiner—Theodore M. Shooman

[57] CLAIM

The ornamental design for a universal antenna mount, as shown and described.

DESCRIPTION

FIG. 1 is a top, front and left side perspective view of a universal antenna mount showing my new design, with one leg partially broken away and shown in section for clarity of illustration;

FIG. 2 is a front elevational view thereof;

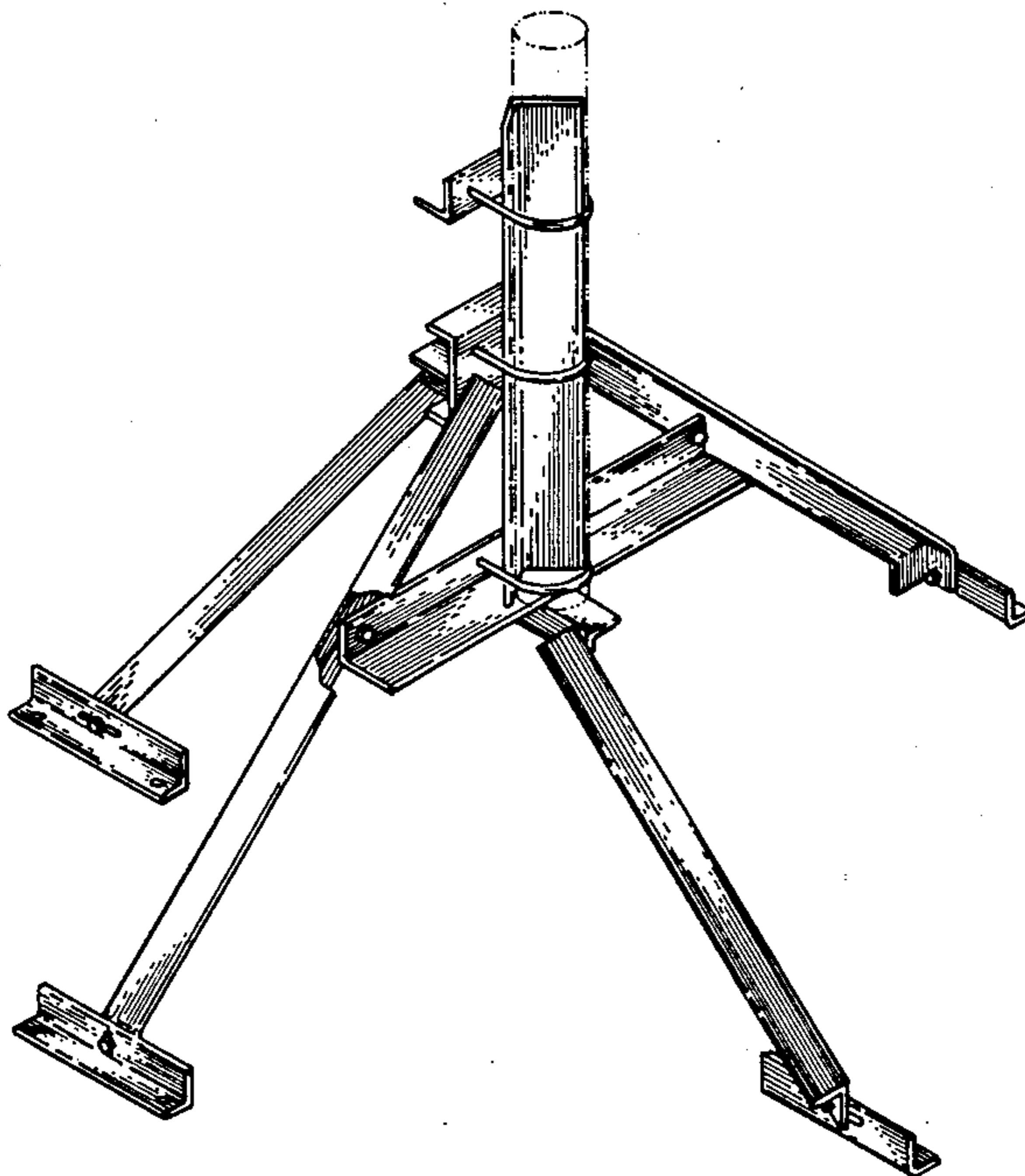
FIG. 3 is a rear elevational view thereof;

FIG. 4 is a top plan view thereof;

FIG. 5 is a bottom plan view thereof; and,

FIG. 6 is a left side elevational view thereof, the right side being a mirror image.

The broken line showing of the antenna mast is for illustrative purposes only and forms no part of the claimed design.



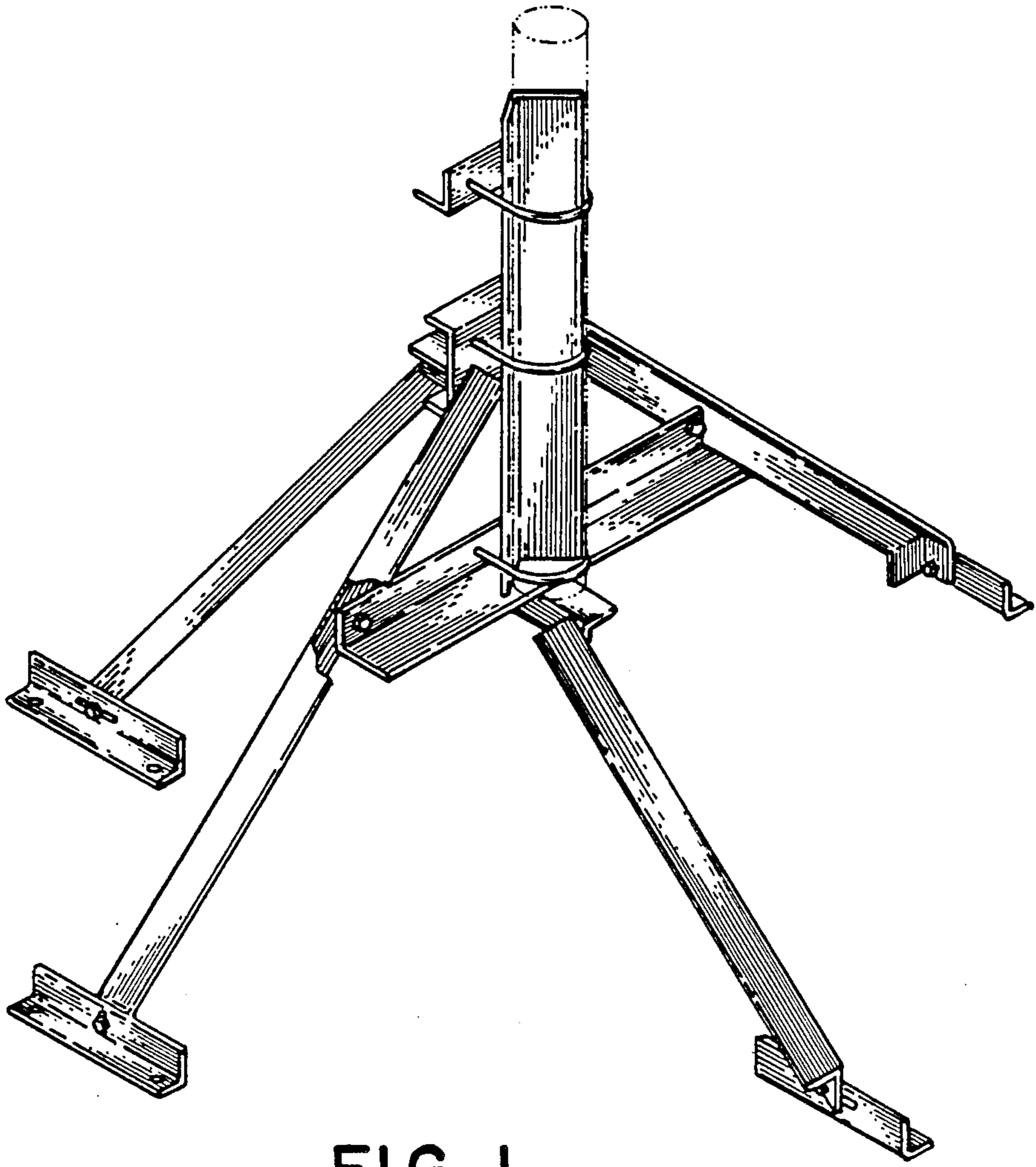


FIG. 1

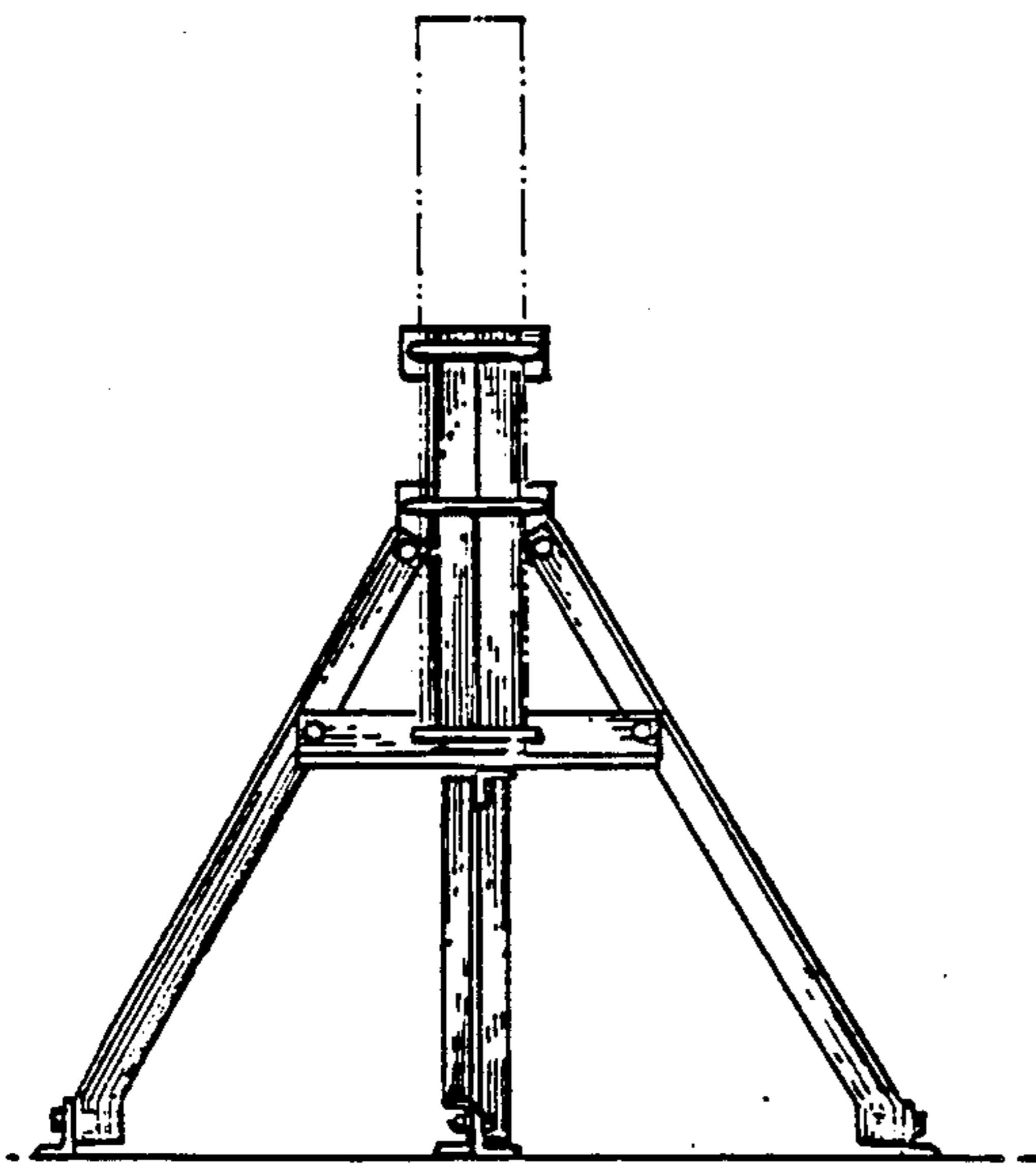


FIG. 2

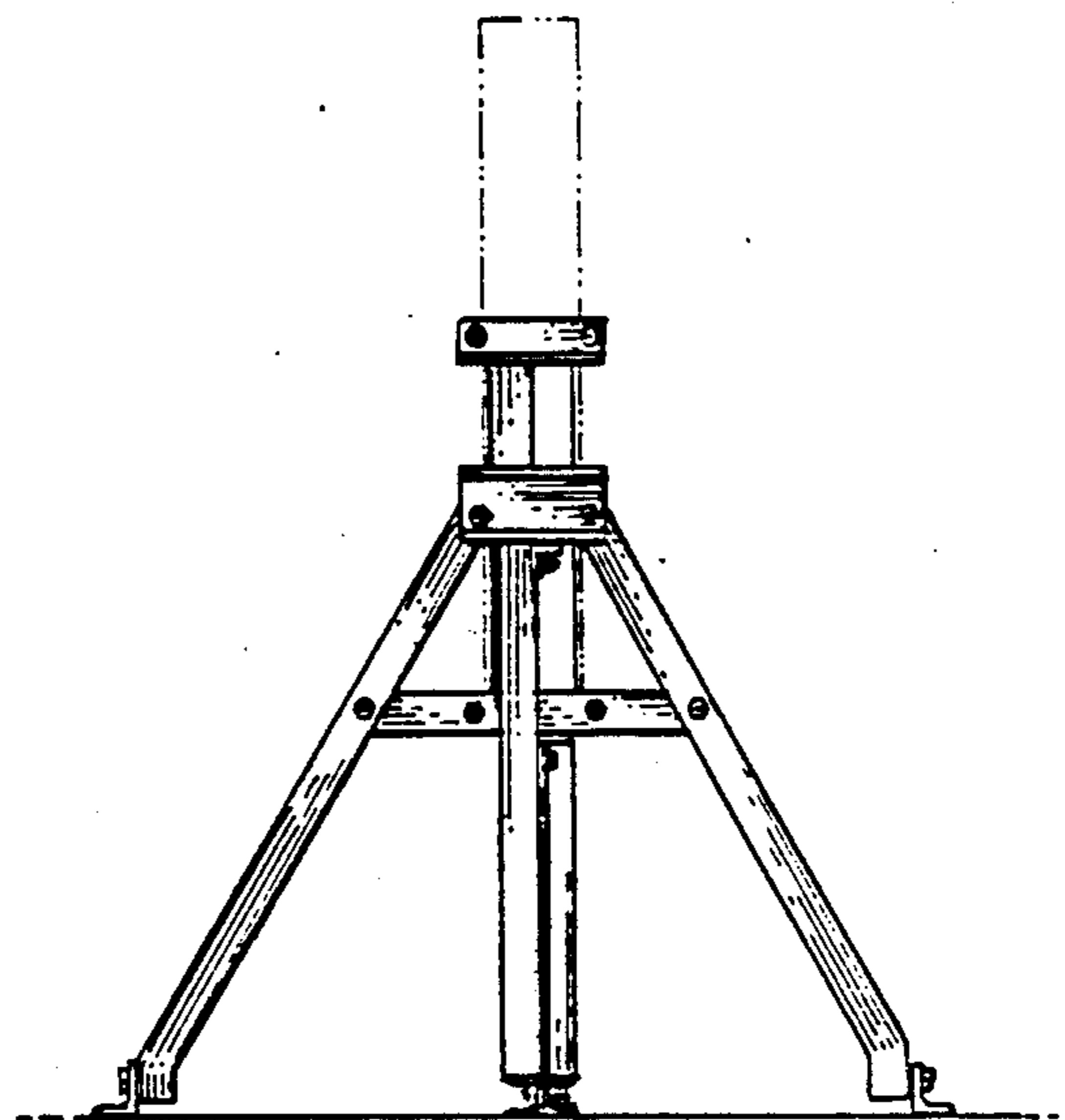


FIG. 3

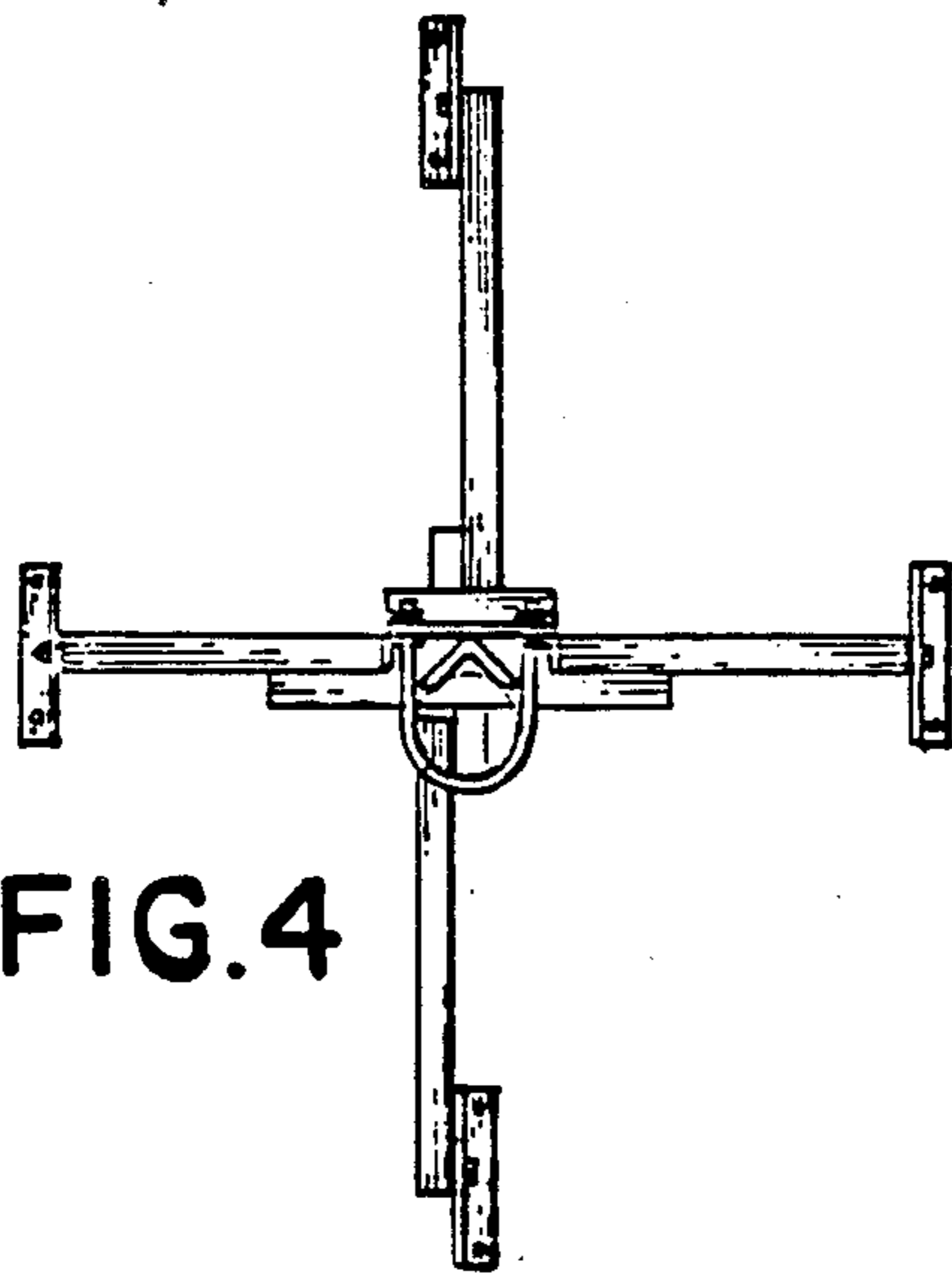


FIG. 4

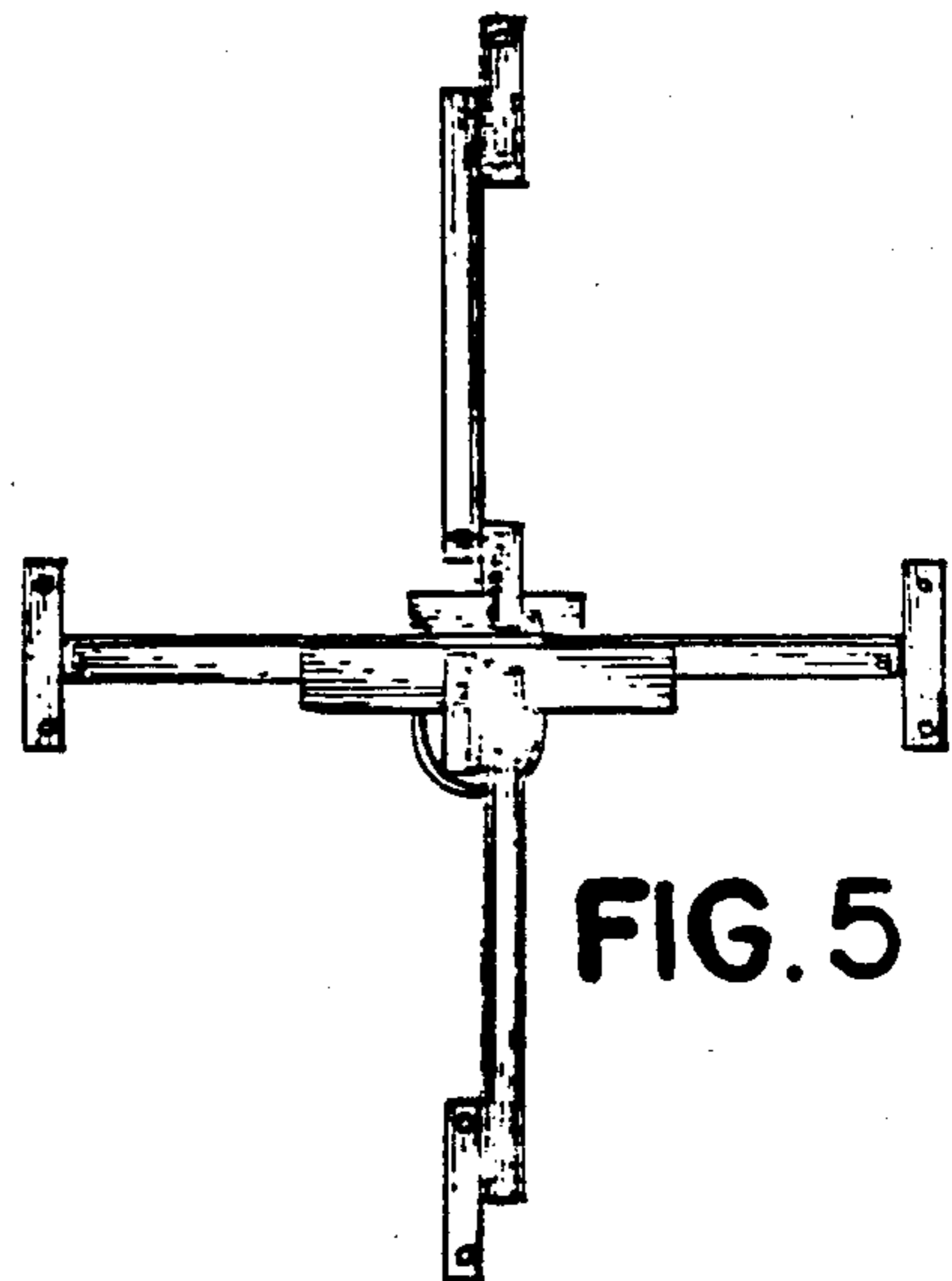


FIG. 5

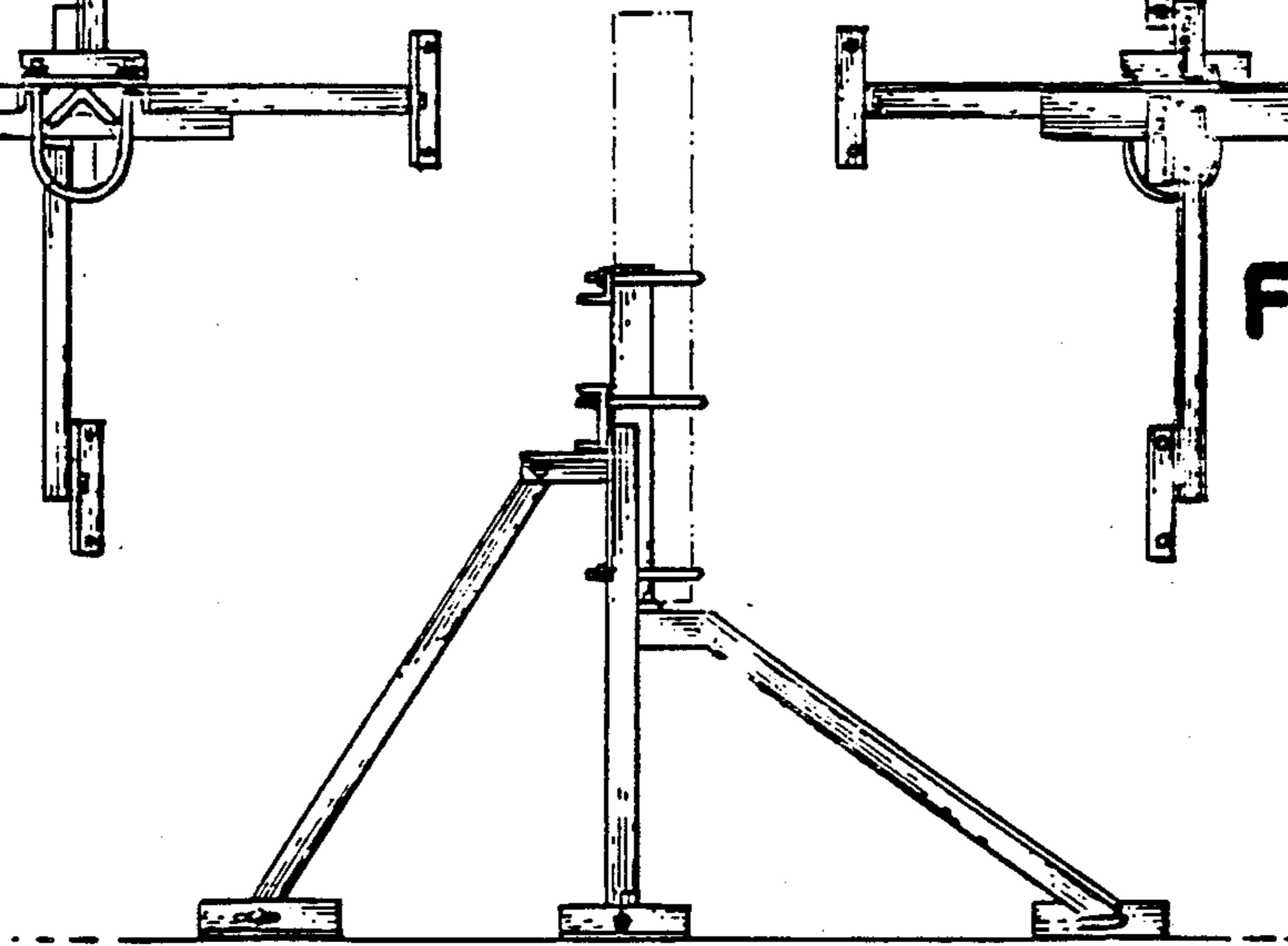


FIG. 6