

[54] **COMBINED BATTERY AND DETACHABLE HANDLE**

[75] **Inventor: Richard M. Sahli, Cottage Grove, Minn.**

[73] **Assignee: GNB Incorporated, Mendota Heights, Minn.**

[**] **Term: 14 Years**

[21] **Appl. No.: 681,406**

[22] **Filed: Dec. 13, 1984**

[52] **U.S. Cl. D13/8; D13/10**

[58] **Field of Search D13/8-11; D8/107; 429/96, 100, 48, 163-165, 175, 176, 187; 307/150; 320/2-5; 294/27.1, 33, 31.2, 145, 149, 903; 248/503**

[56] **References Cited**

U.S. PATENT DOCUMENTS

842,950	2/1907	Gernsback .	
897,472	9/1908	Marx	429/176
921,808	5/1909	Davis	429/176
971,876	10/1910	Apple .	
1,421,748	7/1922	Willard .	
1,662,349	3/1928	Thompson .	
1,697,063	1/1929	Holland .	
2,117,502	5/1938	Reich .	
2,289,824	7/1942	Brogden .	
2,313,731	3/1943	Brogden .	
2,441,134	5/1948	Brogden et al. .	
2,717,171	9/1955	Gottstein	294/166
2,918,206	12/1959	Kleingers, Jr. .	
2,926,782	3/1960	Andre .	
2,951,615	9/1960	Crane .	
3,016,136	1/1962	Poupitch .	
3,144,196	8/1964	Sindars .	
3,251,622	5/1966	Miller	294/170

3,301,586	1/1967	Lisiecki	294/33
3,607,308	9/1971	Dubble .	
3,695,418	10/1972	Gwozdz .	
3,956,022	5/1976	Fox .	
4,029,248	6/1977	Lee	429/163
4,039,121	8/1977	Crane .	
4,042,762	8/1977	Hakarine .	
4,044,935	8/1977	Stephens .	

FOREIGN PATENT DOCUMENTS

505884	9/1954	Canada	294/903
301581	12/1928	United Kingdom	294/170

Primary Examiner—Wallace R. Burke

Assistant Examiner—C. E. Heflin

Attorney, Agent, or Firm—Augustus J. Hipp; Charles L. Rowe

[57] **CLAIM**

The ornamental design for a combined battery and detachable handle, as shown and described.

DESCRIPTION

FIG. 1 is a top plan view of the combined battery and detachable handle showing the detachable handle portion of my new design, the battery being omitted for convenience of illustration only;
 FIG. 2 is a side elevational view thereof, the battery being omitted for convenience of illustration only;
 FIG. 3 is a top plan view of the combined battery and detachable handle showing my new design;
 FIG. 4 is a side elevational view thereof;
 FIG. 5 is an end elevational view thereof;
 FIG. 6 is a top plan view of the combined battery and detachable handle showing a second embodiment of my new design;
 FIG. 7 is a side elevational view thereof;
 FIG. 8 is an end elevational view thereof.

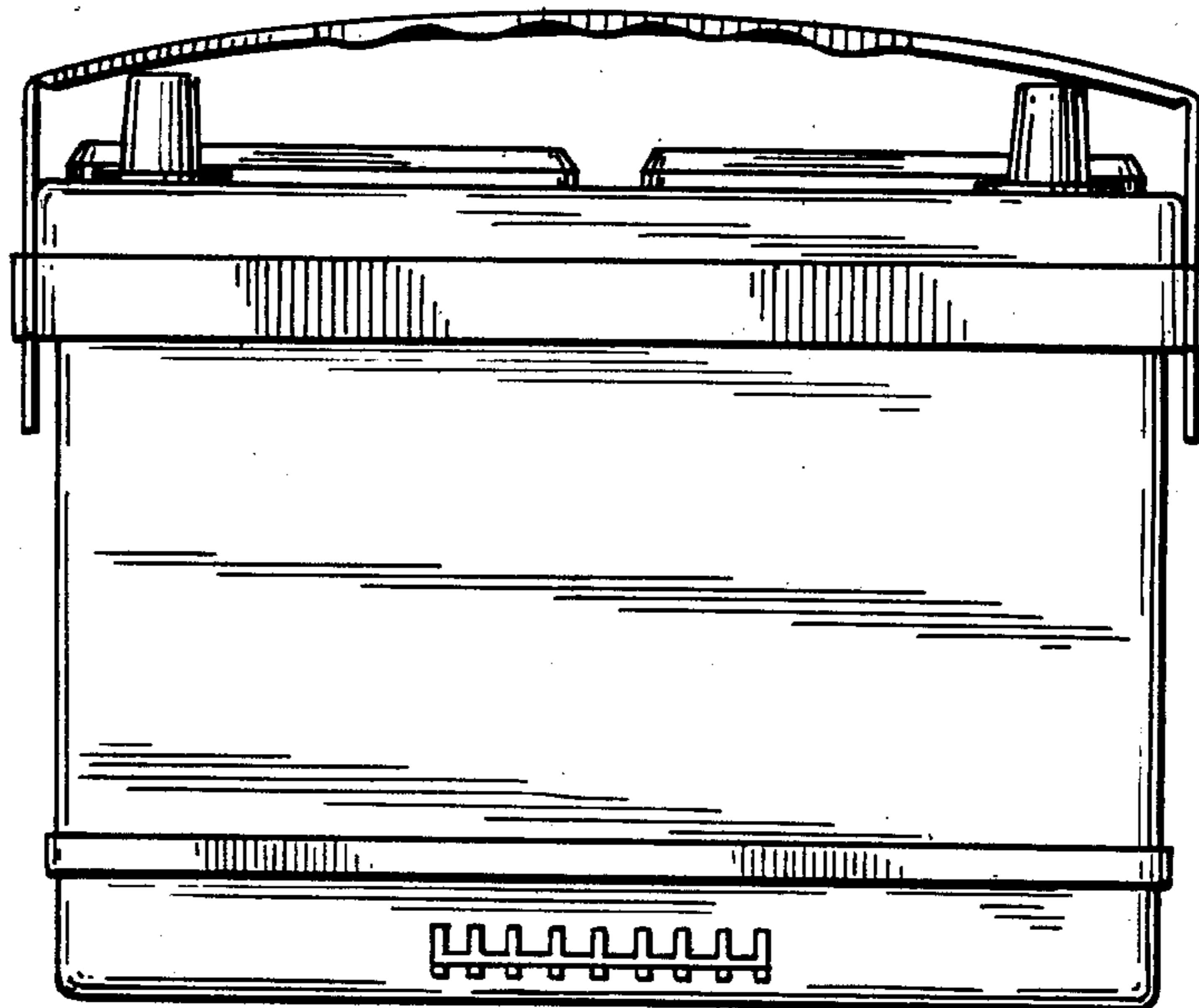


FIG. 1

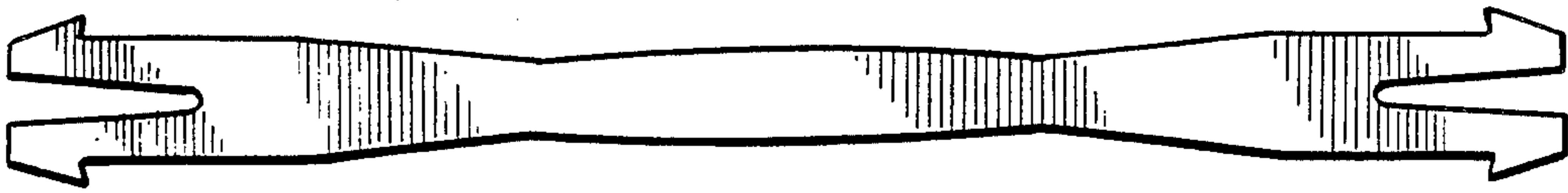


FIG. 2



FIG. 3

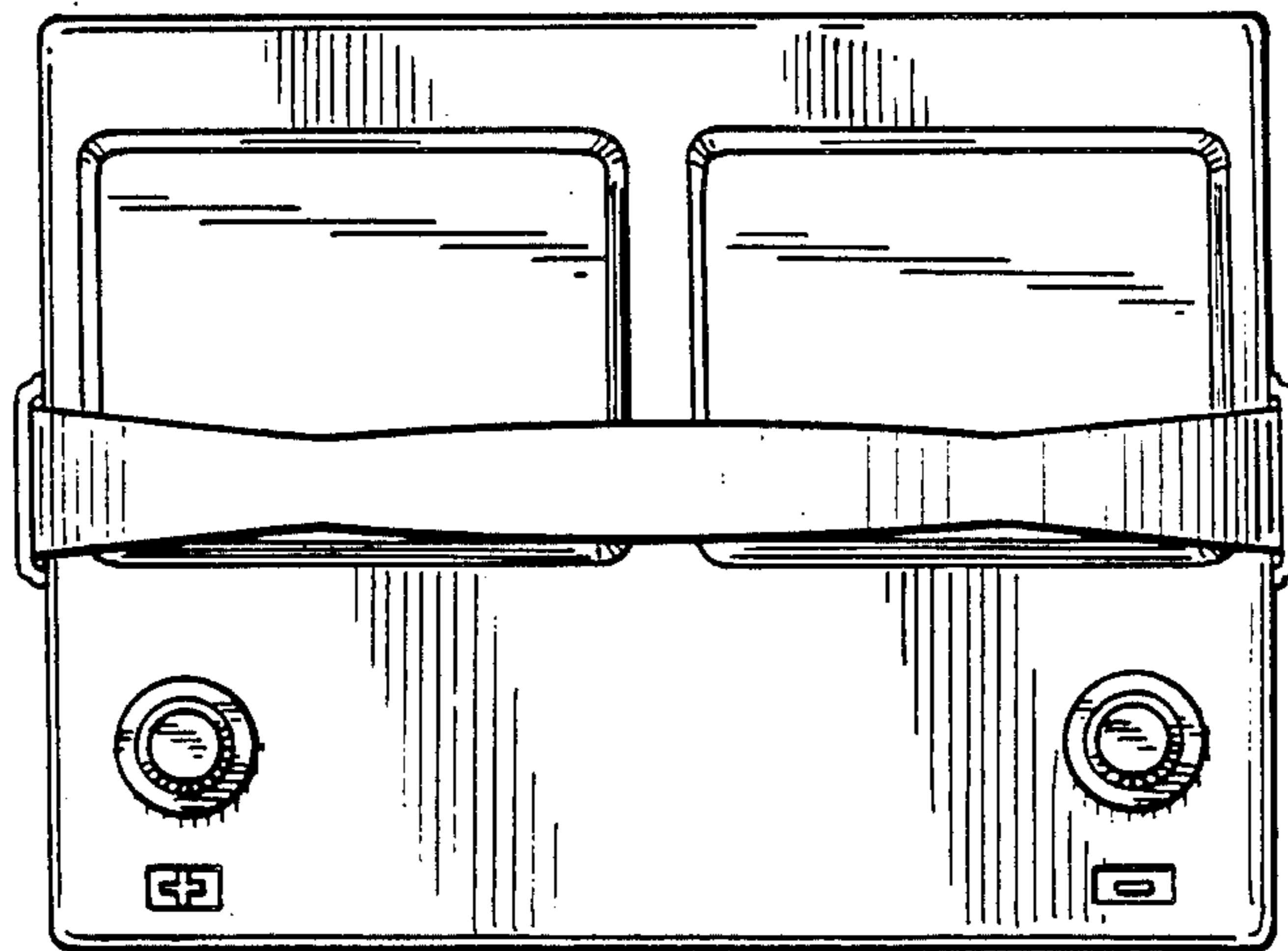
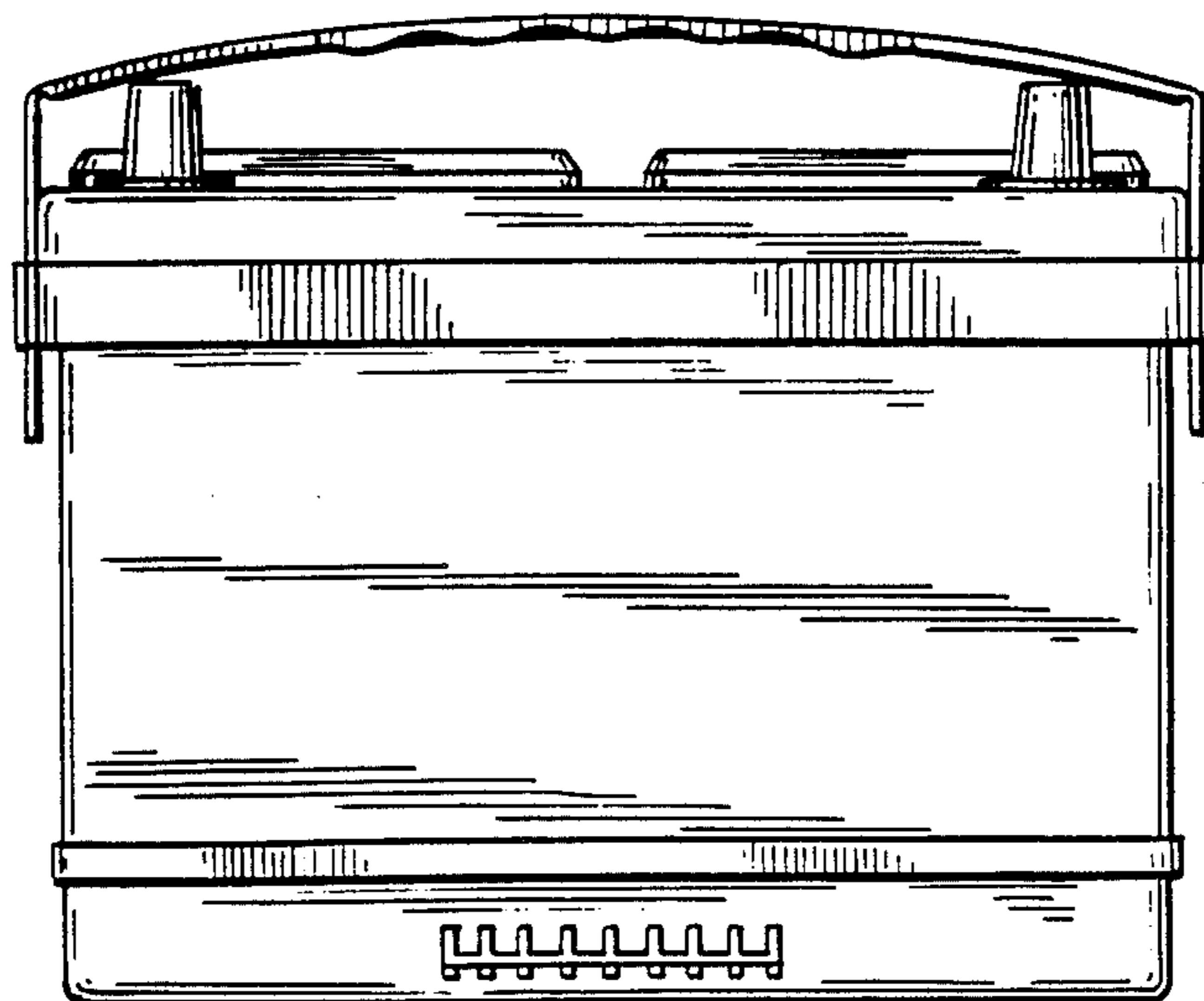


FIG. 4



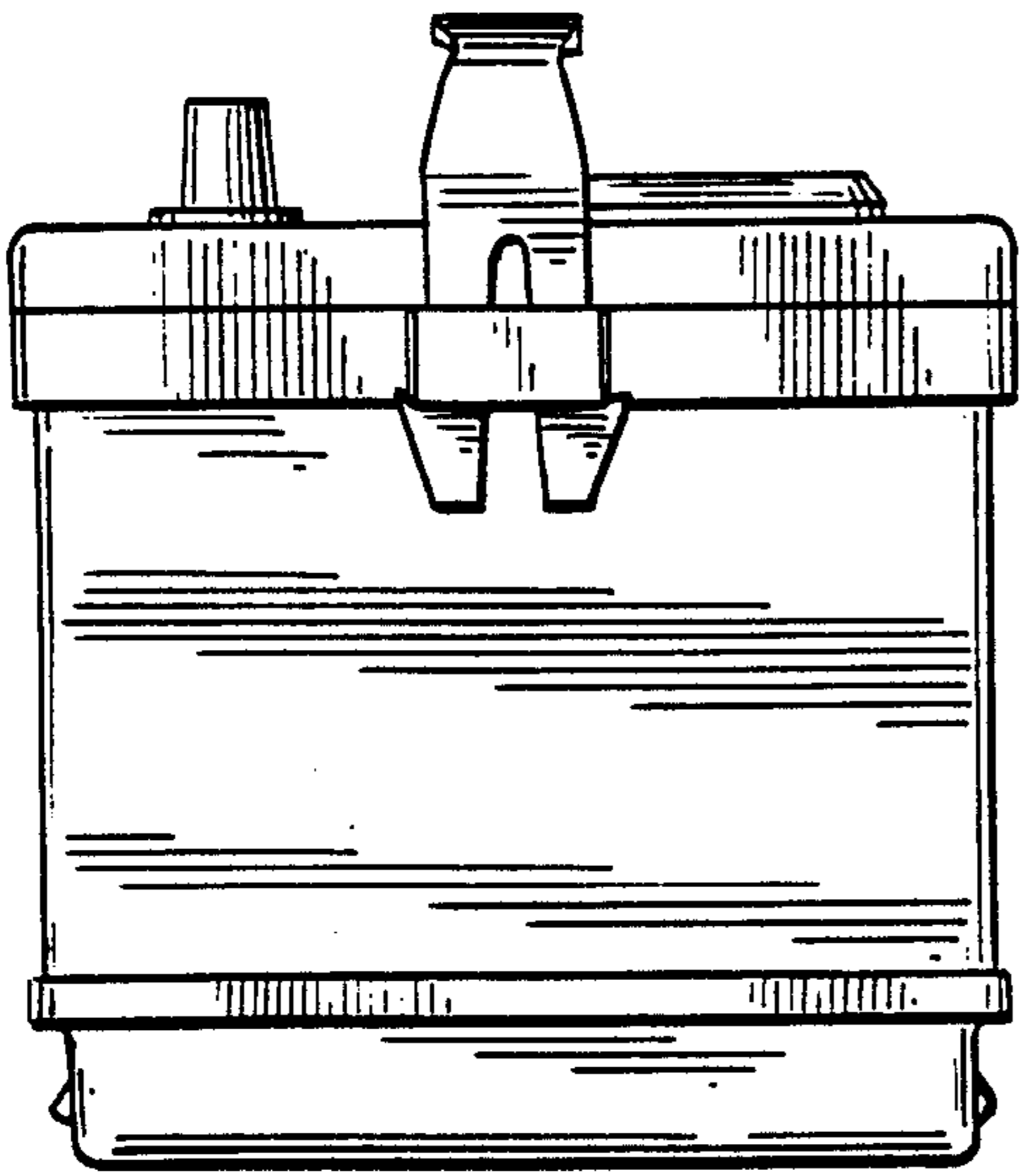


FIG. 5

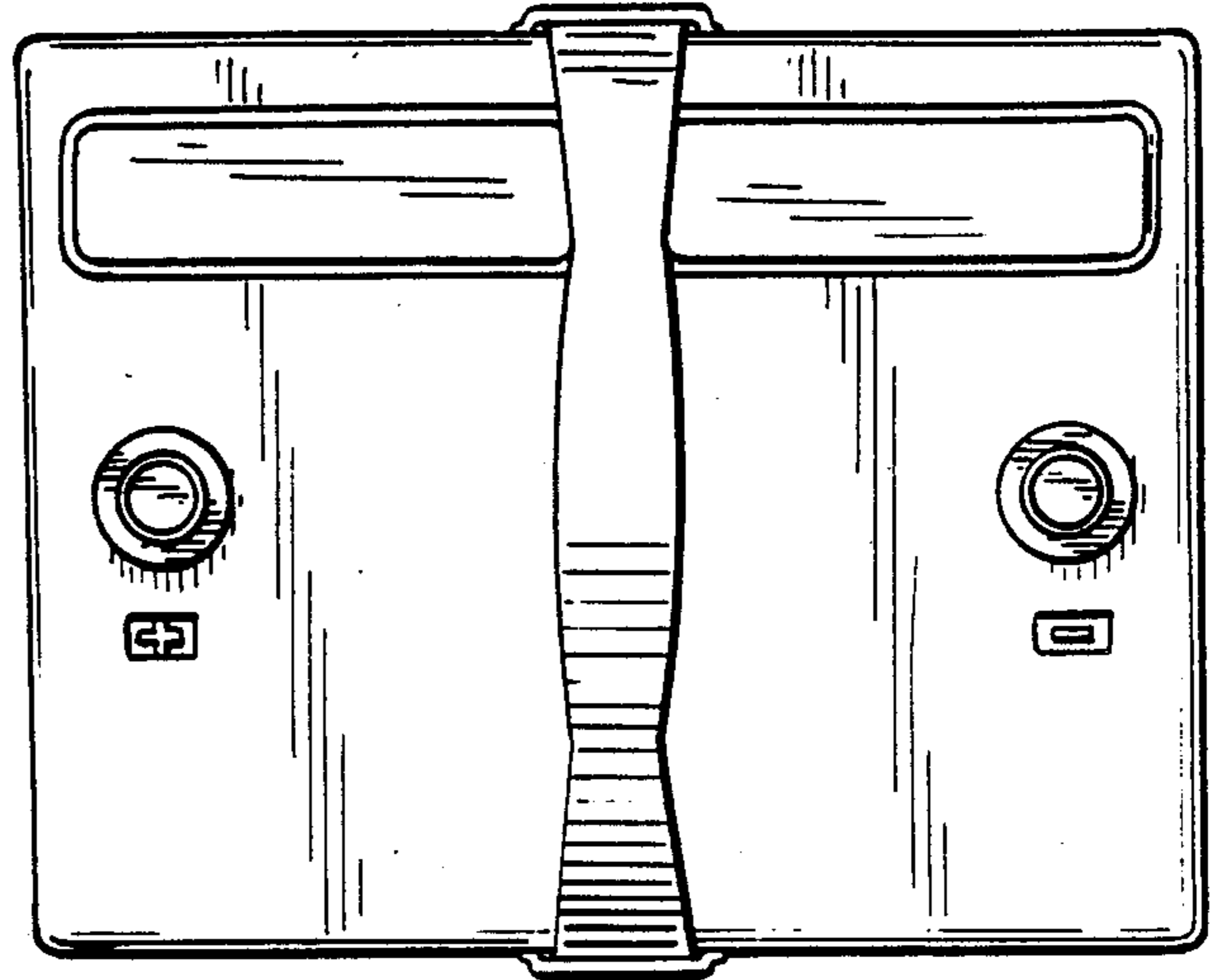


FIG. 6

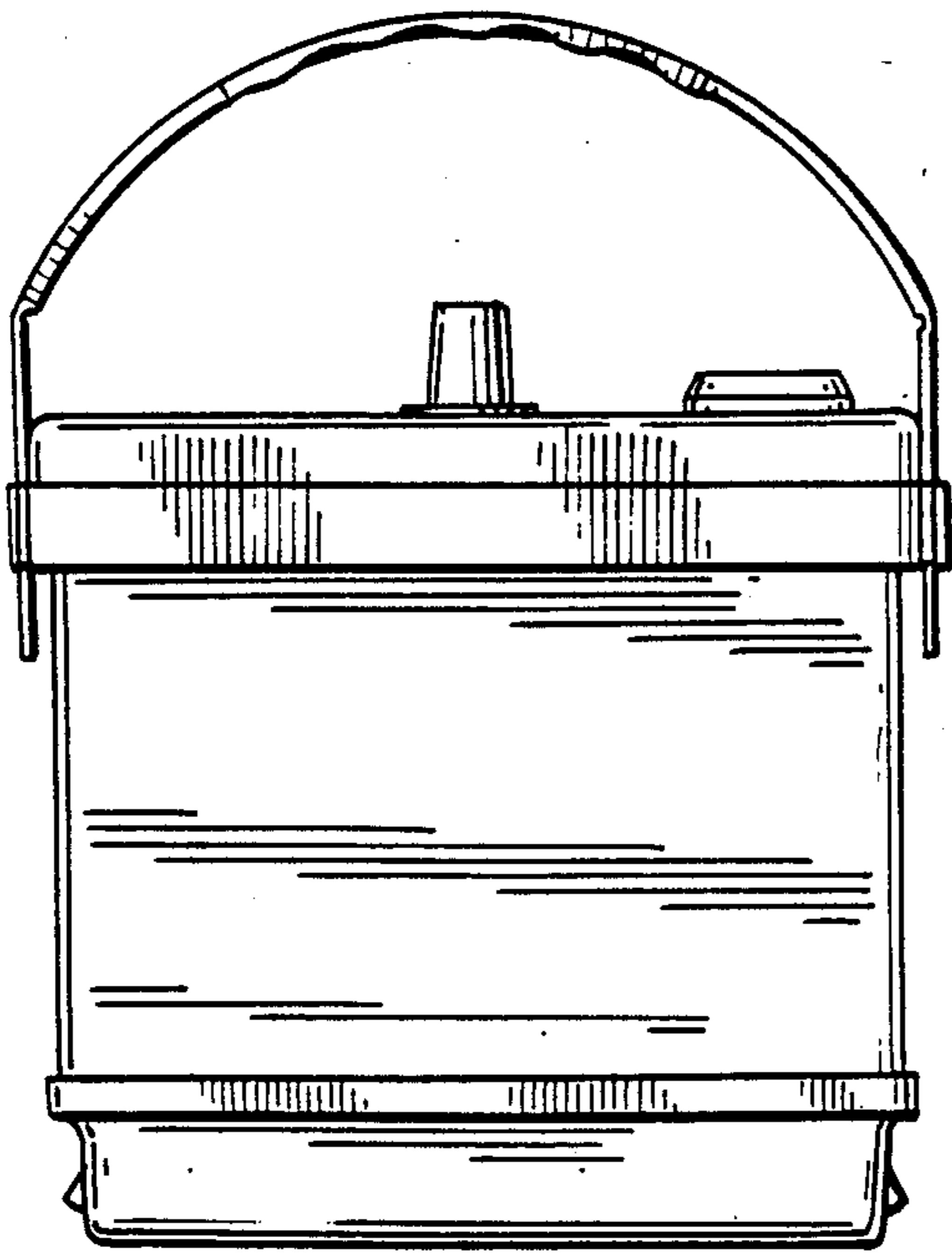


FIG. 8

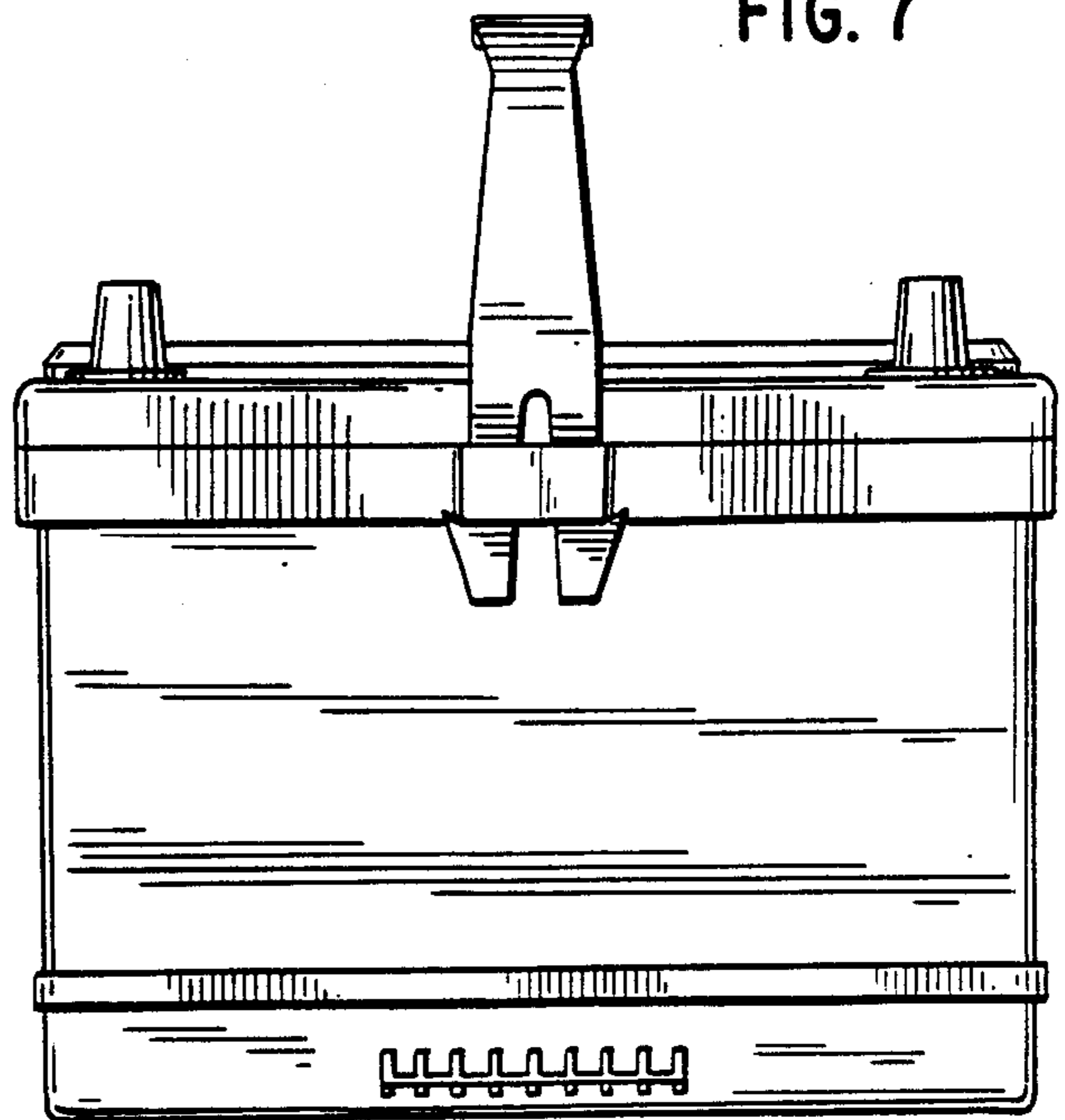


FIG. 7