

[54] SPARE TIRE MOUNTING BRACKET

[76] Inventor: Ken M. Knutson, 2906 De Schepper Dr., Grand Rapids, Minn. 55744

[**] Term: 14 Years

[21] Appl. No.: 704,044

[22] Filed: Feb. 21, 1985

[52] U.S. Cl. D12/202; D8/349; D8/354

[58] Field of Search D12/202; D8/349, 354, D8/373, 394; 296/37.2; 224/42.06, 42.12, 42.21, 42.24-42.26; 248/505; 70/259, 229

[56] References Cited

U.S. PATENT DOCUMENTS

D. 243,839 3/1977 Driscoll D12/202
4,225,066 9/1980 Barr 70/259
4,294,088 10/1981 Barr 224/42.25

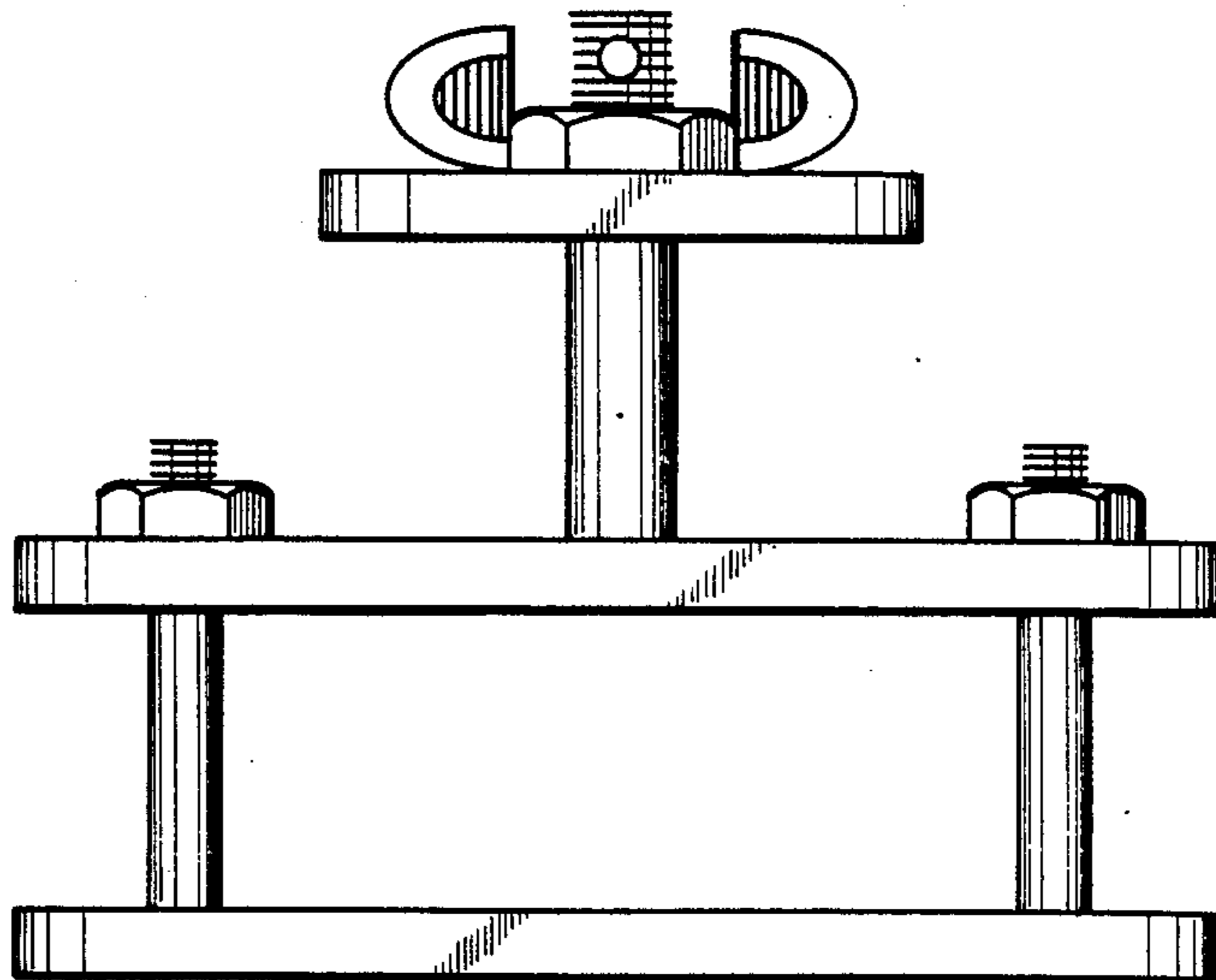
Primary Examiner—James M. Gandy
Attorney, Agent, or Firm—Don E. Ferrell

[57] CLAIM

The ornamental design for a spare tire mounting bracket, as shown.

DESCRIPTION

FIG. 1 is a side elevation view of a spare tire mounting bracket showing my new design; FIG. 2 is a top plan view thereof; FIG. 3 is a bottom plan view thereof; and FIG. 4 is an end elevation view thereof.



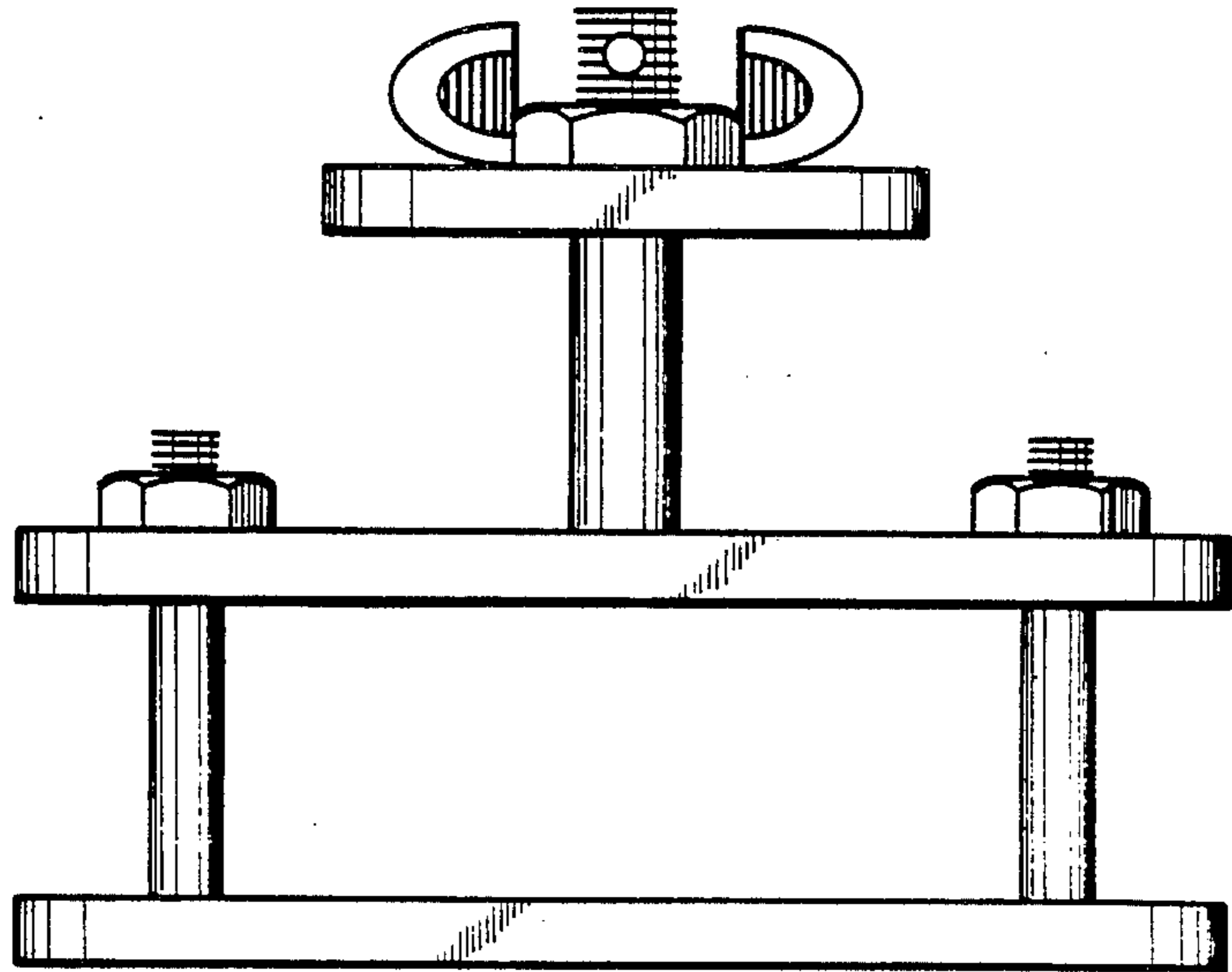


FIG 2

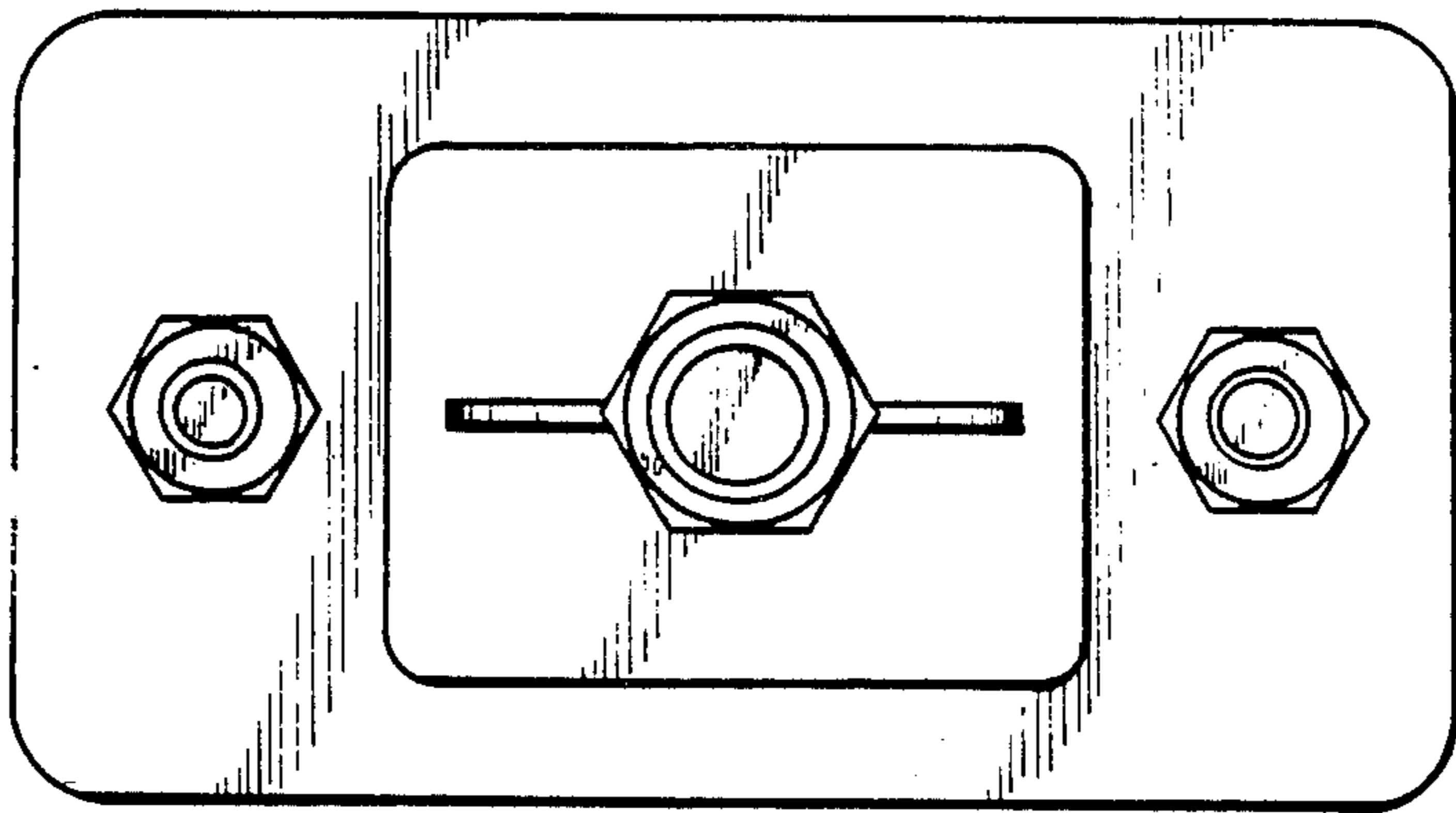


FIG 3

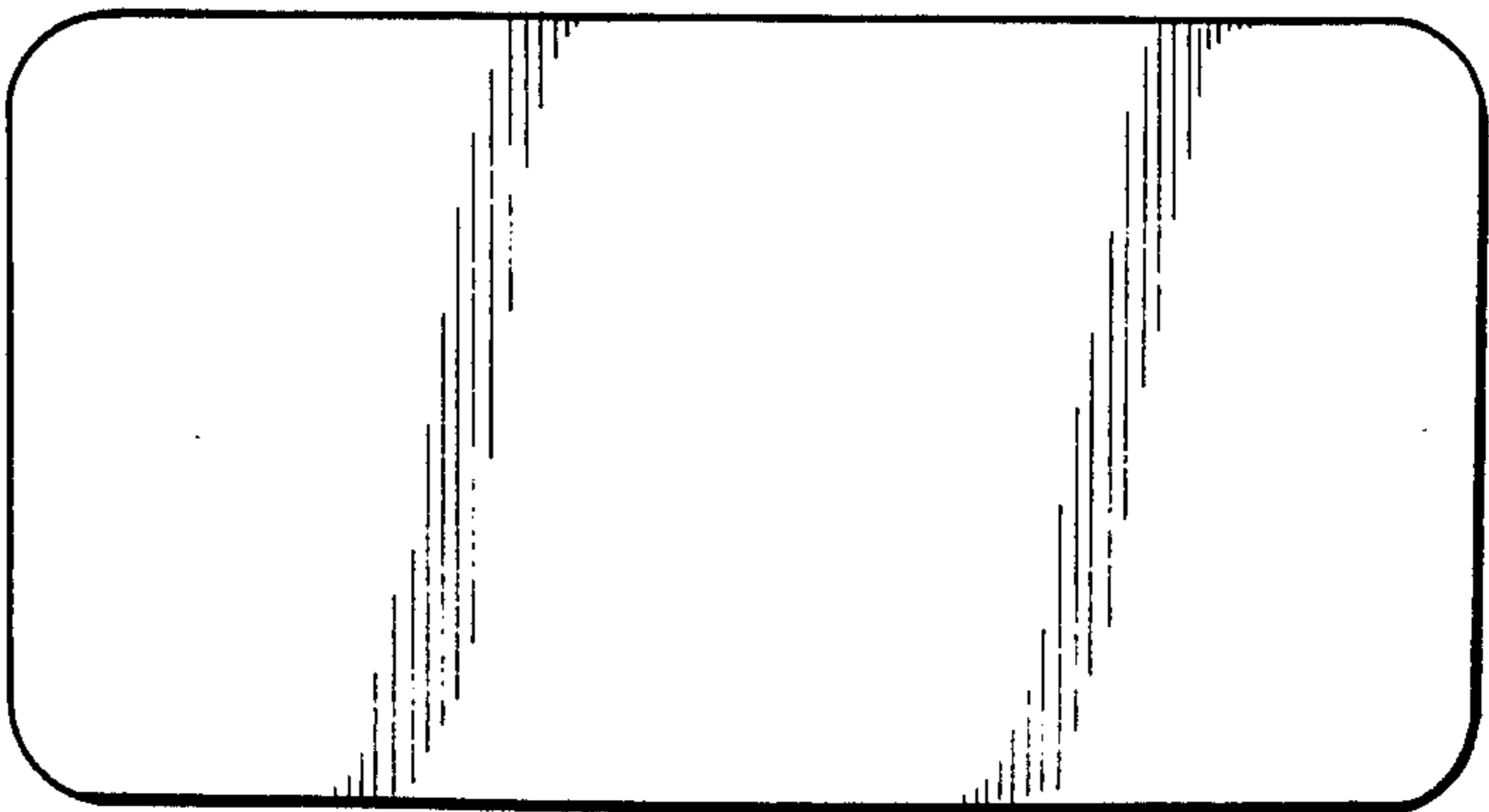


Fig. 4

