

[54] COMBINED LIE LEVEL AND ATTACHMENT STRAP

[76] Inventor: Fred T. Fincher, 508 Lincoln St., LaGrange, Ga. 30240

[**] Term: 14 Years

[21] Appl. No.: 700,651

[22] Filed: Feb. 11, 1985

[52] U.S. Cl. D10/69

[58] Field of Search D10/69; 273/162 B, 183 D, 273/194 A; 33/334, 347, 370-373, 508, DIG. 1

[56] References Cited

U.S. PATENT DOCUMENTS

D. 171,317	1/1954	Von Duyke	D10/69
D. 255,434	6/1980	Hanson	D10/69
2,670,209	2/1954	Fay	33/372 X
2,723,125	11/1955	Comee	33/372 X
4,295,279	10/1981	Seinknecht	33/373 X

4,580,350 4/1986 Fincher 33/334

Primary Examiner—Nelson Holtje
Attorney, Agent, or Firm—Michael C. Smith

[57] CLAIM

The ornamental design for a combined lie level and attachment strap, substantially as shown and described.

DESCRIPTION

FIG. 1 is a top and right front perspective view of a combined lie level and attachment strap showing my new design;

FIG. 2 is a top and left rear perspective view thereof with the attachment strap omitted for ease of illustration;

FIG. 3 is a top and right rear perspective view thereof with the attachment strap omitted for ease of illustration;

FIG. 4 is a perspective view of the attachment strap, with the lie level omitted for ease of illustration.

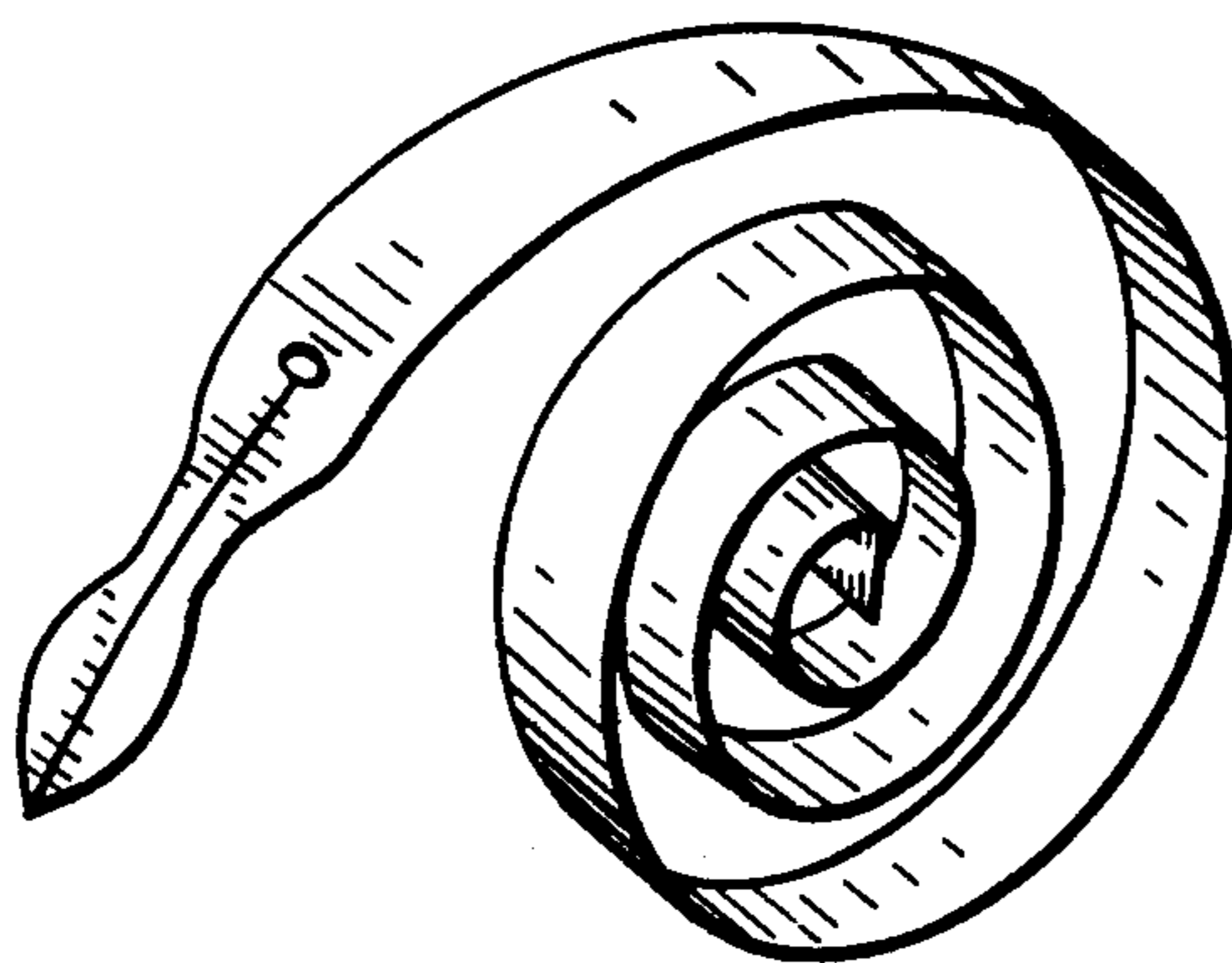


FIG. 1

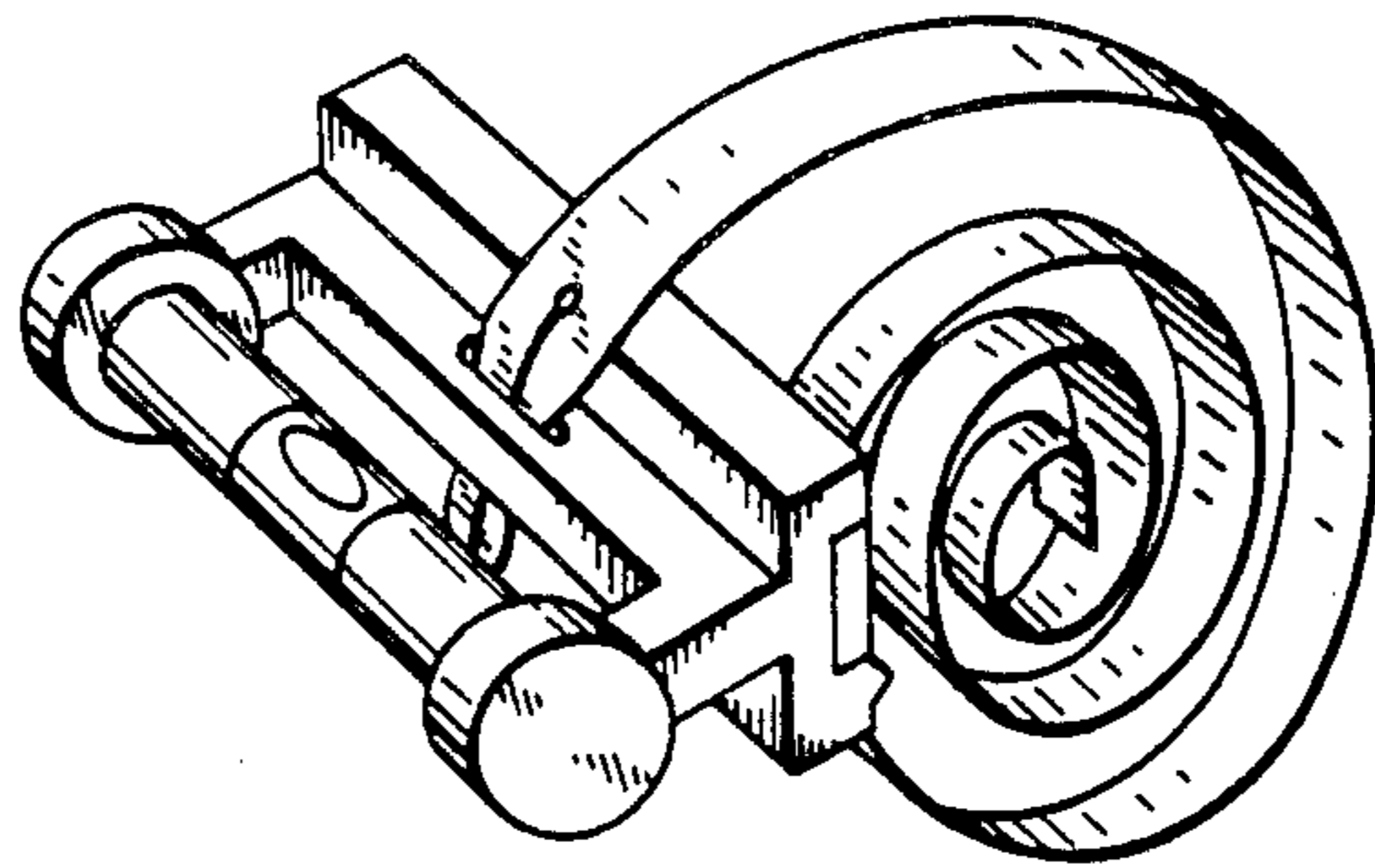


FIG. 2

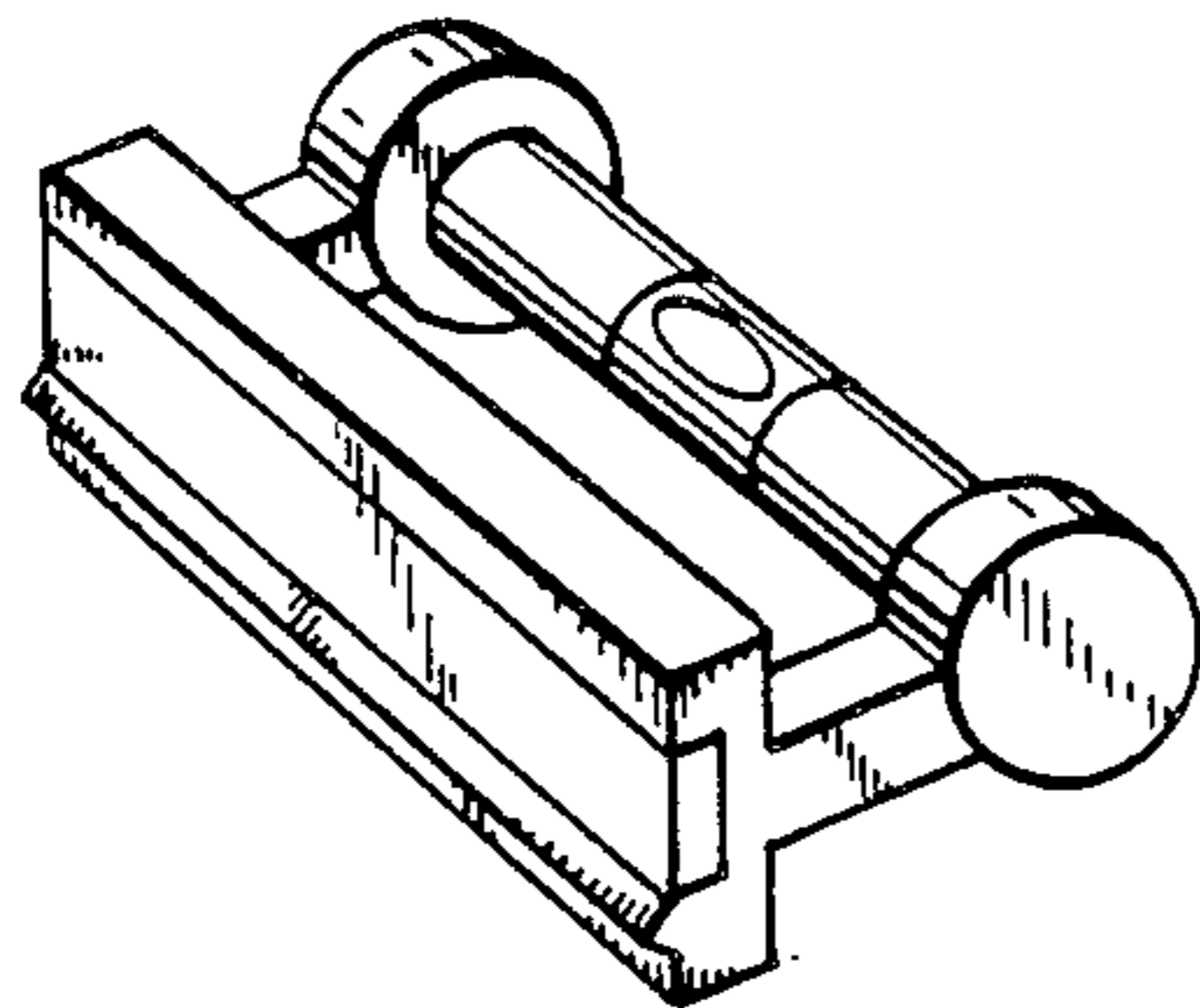


FIG. 3

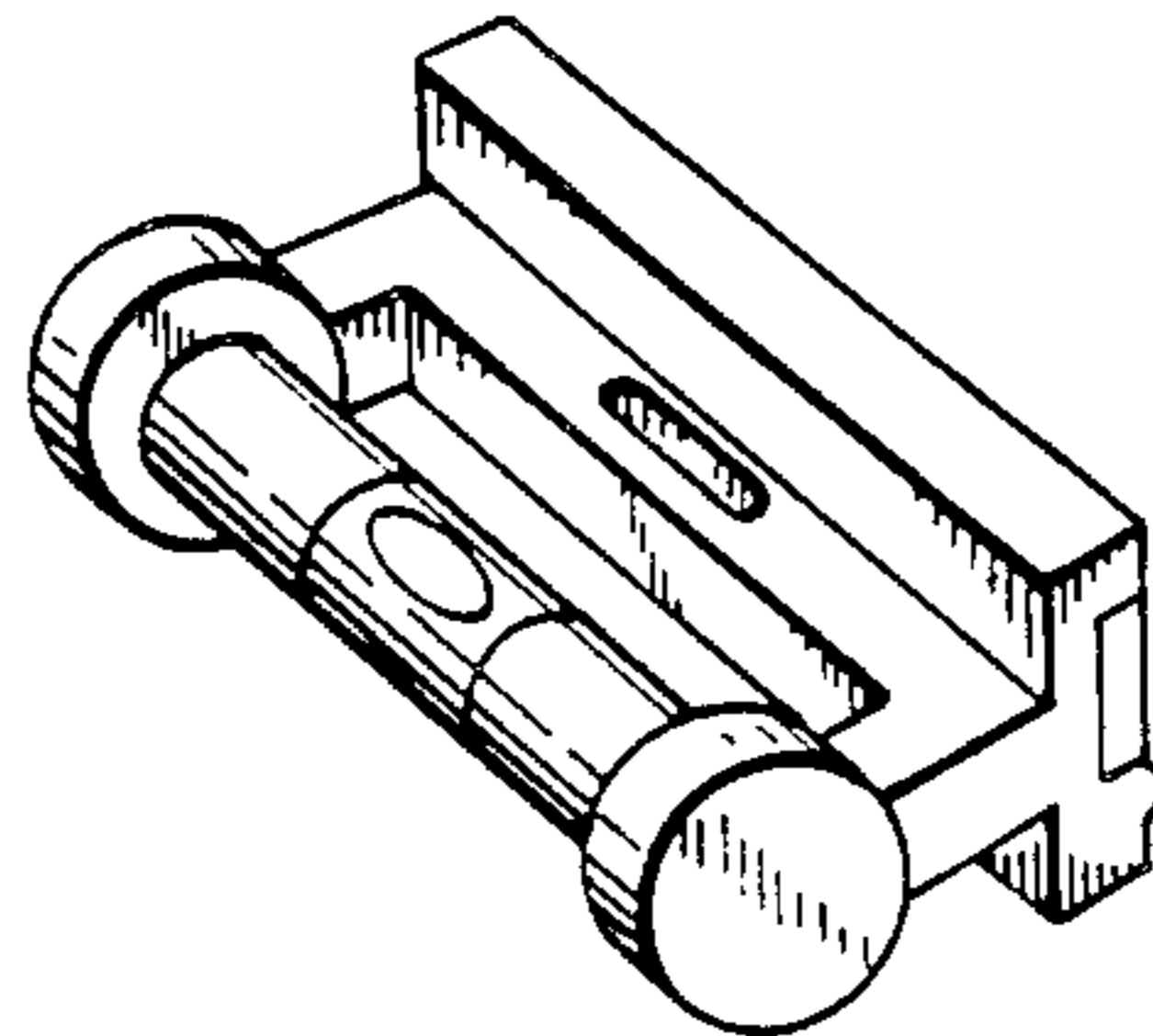


FIG. 4

