

[54] **ATTACHABLE WATCH**

[75] **Inventor:** Urs M. Jordi, Crans-Pres-Celigny, Switzerland  
 [73] **Assignee:** Altop S.A., Geneva, Switzerland  
 [\*\*] **Term:** 14 Years  
 [21] **Appl. No.:** 908,110  
 [22] **Filed:** Sep. 16, 1986

[30] **Foreign Application Priority Data**

Mar. 25, 1986 [WO] World Int. Prop. O. ... DMA000485  
 [52] **U.S. Cl.** ..... D10/31; D10/2; D8/395; D19/65  
 [58] **Field of Search** ..... D10/2, 30-39; D8/71, 72, 74, 395-396; 368/10, 316, 317, 41; D19/56

[56] **References Cited**

**U.S. PATENT DOCUMENTS**

D. 274,127 6/1984 Einhorn ..... D8/395  
 D. 284,483 7/1986 Yang ..... D8/395 X  
 1,738,643 12/1929 Dann ..... 368/316 X  
 2,718,749 9/1955 Florman ..... 368/10  
 3,562,499 2/1971 Spetzler ..... 368/41 X

**FOREIGN PATENT DOCUMENTS**

0080563 6/1983 European Pat. Off. .  
 865127 1/1953 Fed. Rep. of Germany ..... 368/316  
 1750392 8/1957 Fed. Rep. of Germany .  
 3006503 8/1981 Fed. Rep. of Germany ..... 368/316

2929373 9/1982 Fed. Rep. of Germany .

**OTHER PUBLICATIONS**

B. A. Pargh Co., Spring-Summer 1985 catalog. Four pages received from Switzerland counsel.  
*Primary Examiner*—Nelson C. Holtje  
*Attorney, Agent, or Firm*—Gerry J. Elman

[57] **CLAIM**

The ornamental design for an attachable watch, as shown.

**DESCRIPTION**

FIG. 1 is a top plan view of an attachable watch showing my new design;  
 FIG. 2 is a bottom plan view thereof;  
 FIG. 3 is a right side elevational view thereof, shown in a closed position;  
 FIG. 4 is a right side elevational view thereof, shown in an open position;  
 FIG. 5 is a left side elevational view thereof, shown in a closed position;  
 FIG. 6 is a front end view thereof, shown in a closed position;  
 FIG. 7 is a rear end view thereof, shown in a closed position; and  
 FIG. 8 is a top plan view thereof, with the watch face rotated 180°;  
 FIG. 9 is a top plan view thereof, with the watch face rotated 90°;  
 FIG. 10 is a top plan view thereof, with the watch face rotated 120°.

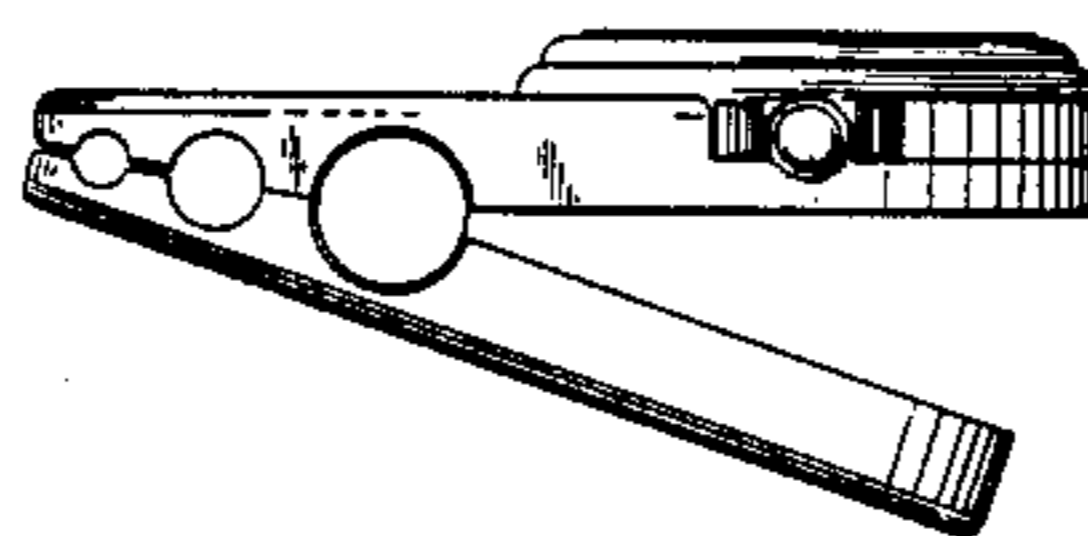
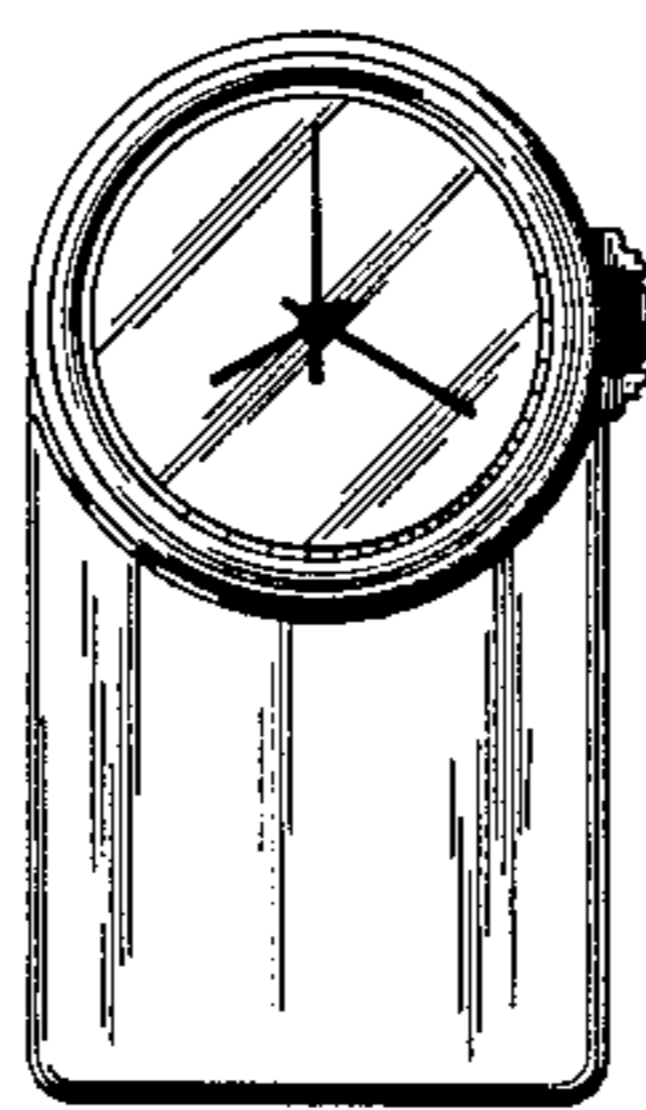


Fig. 1

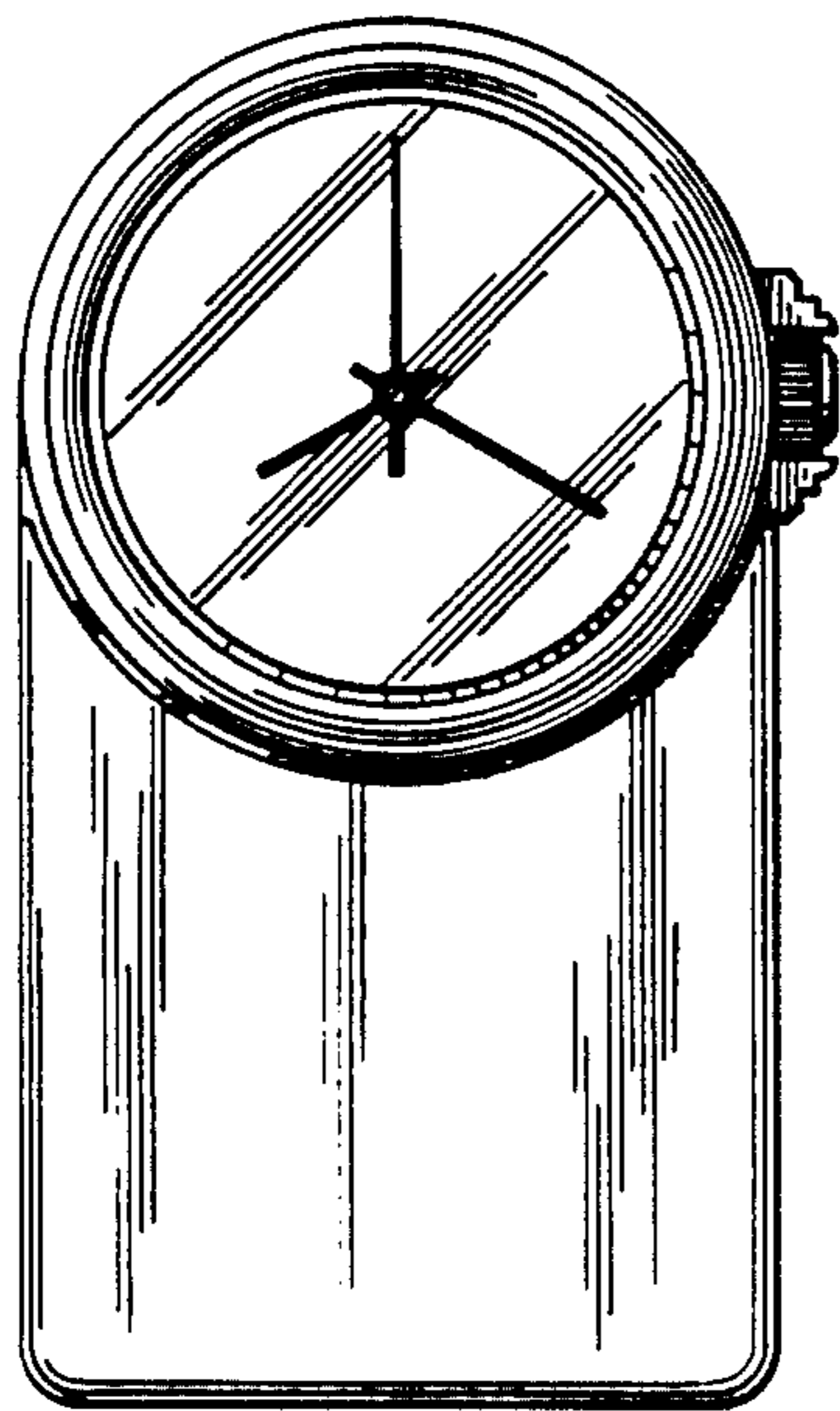


Fig. 2

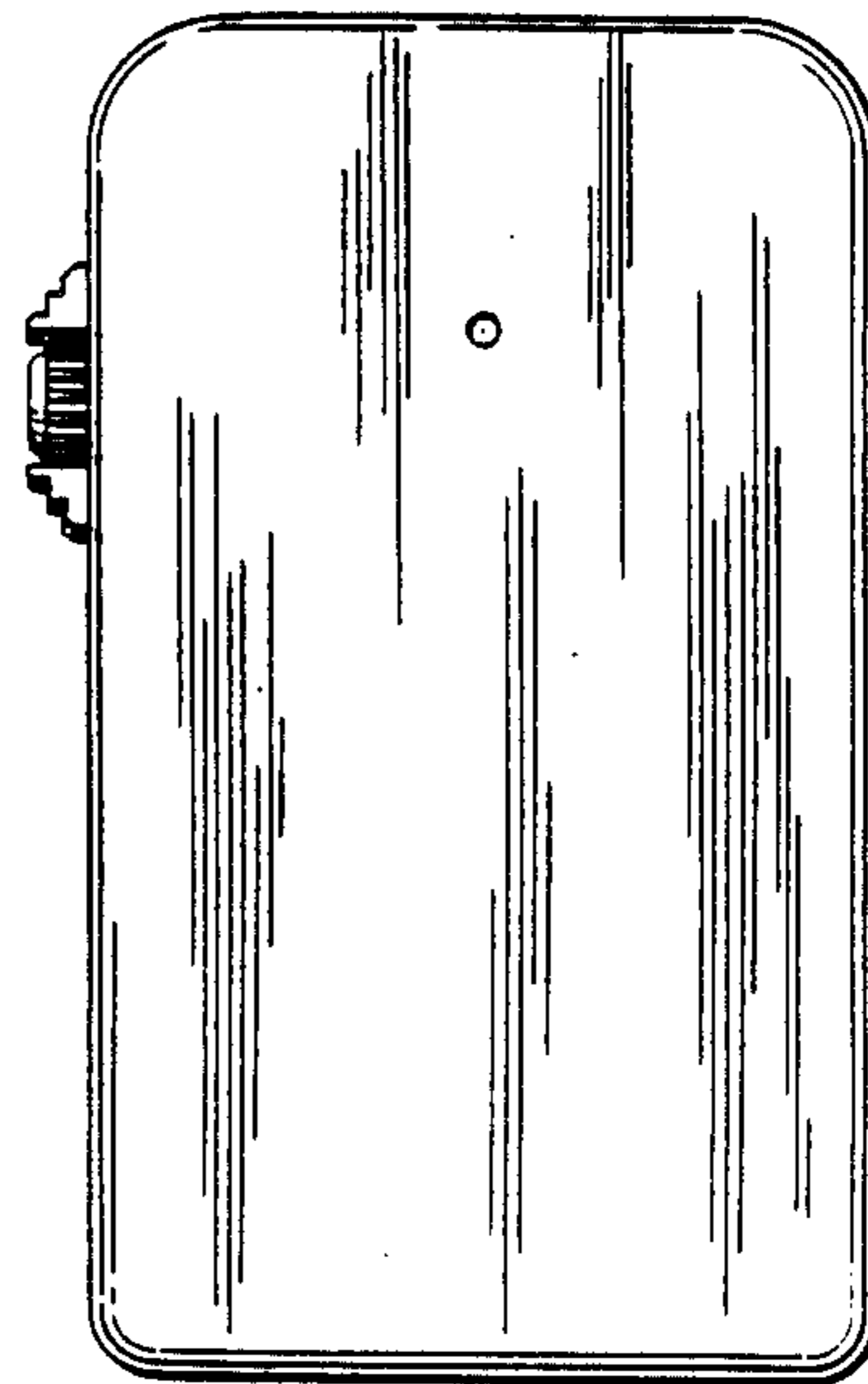


Fig. 3

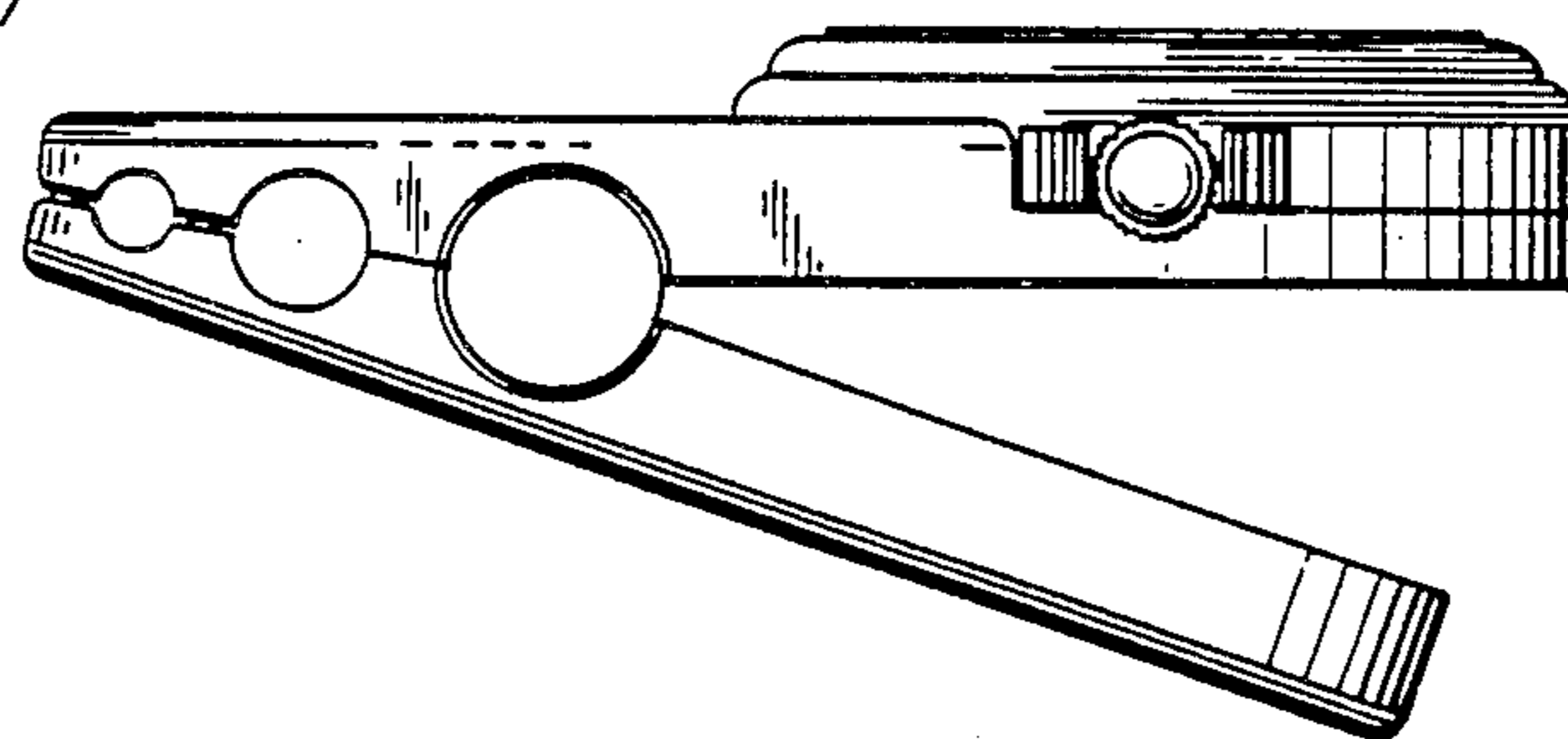


Fig. 4

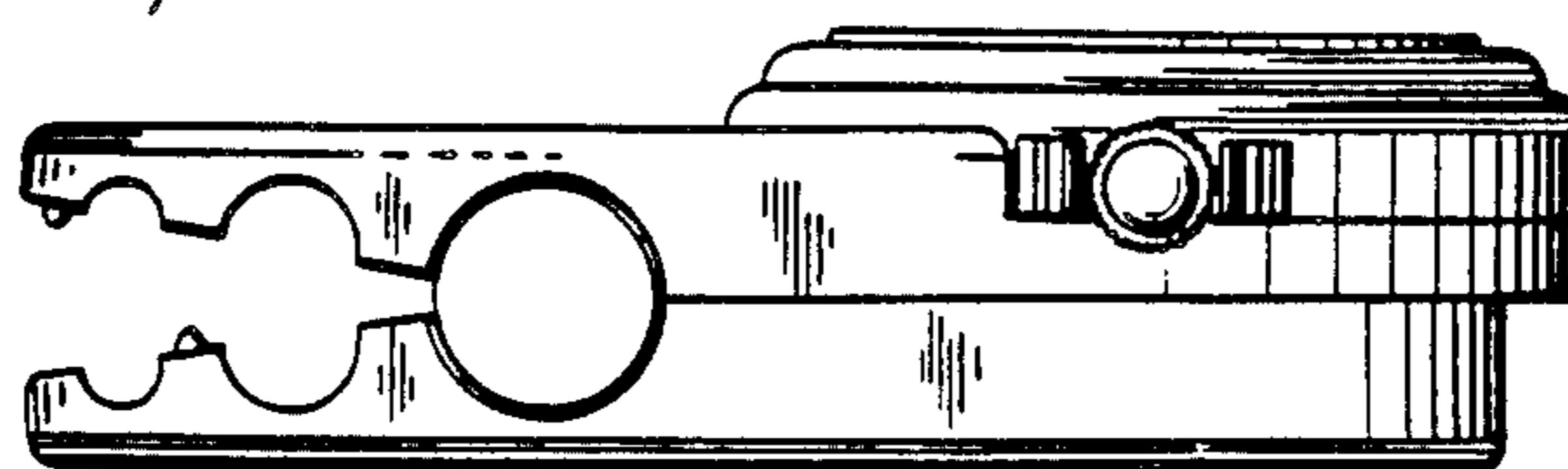


FIG. 5

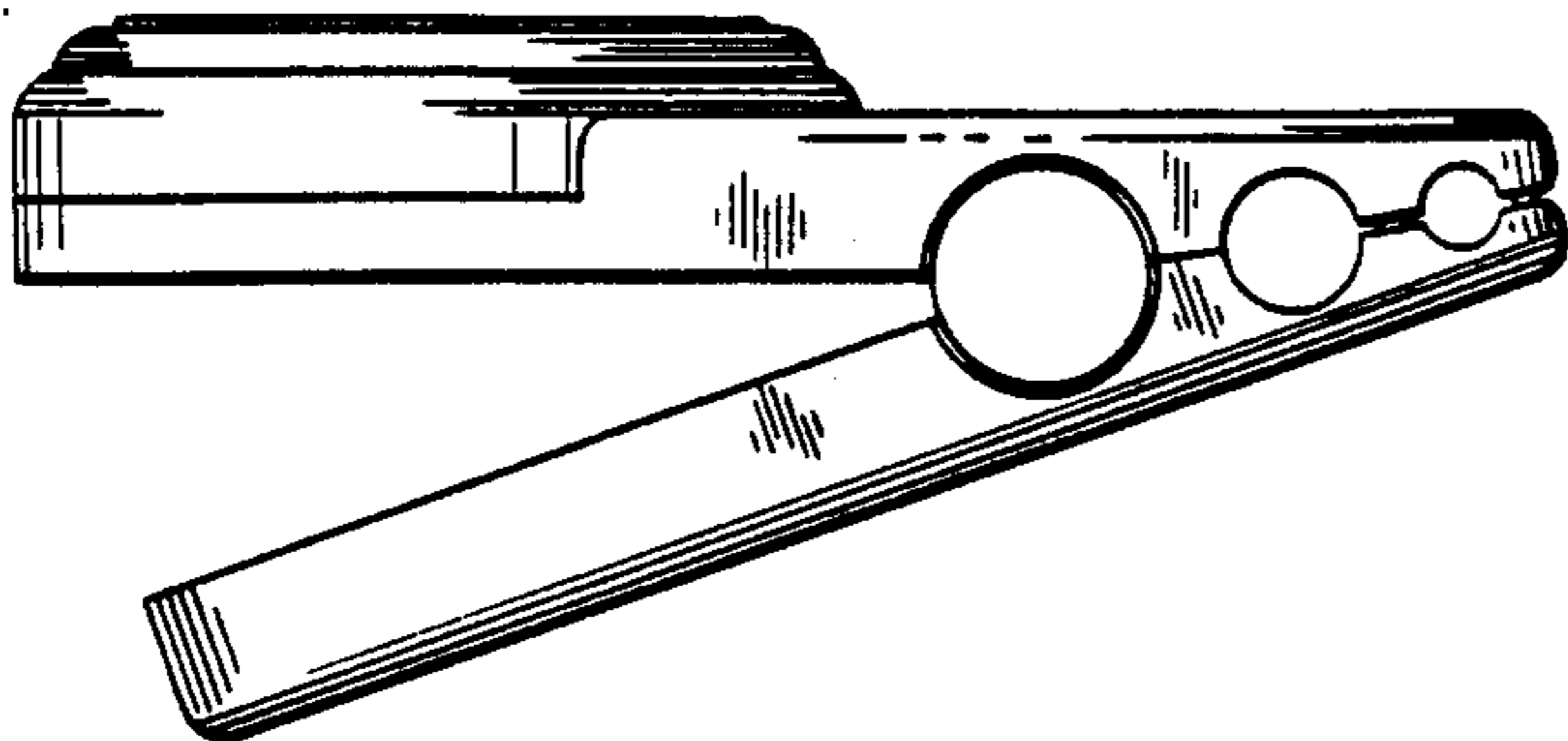


FIG. 6

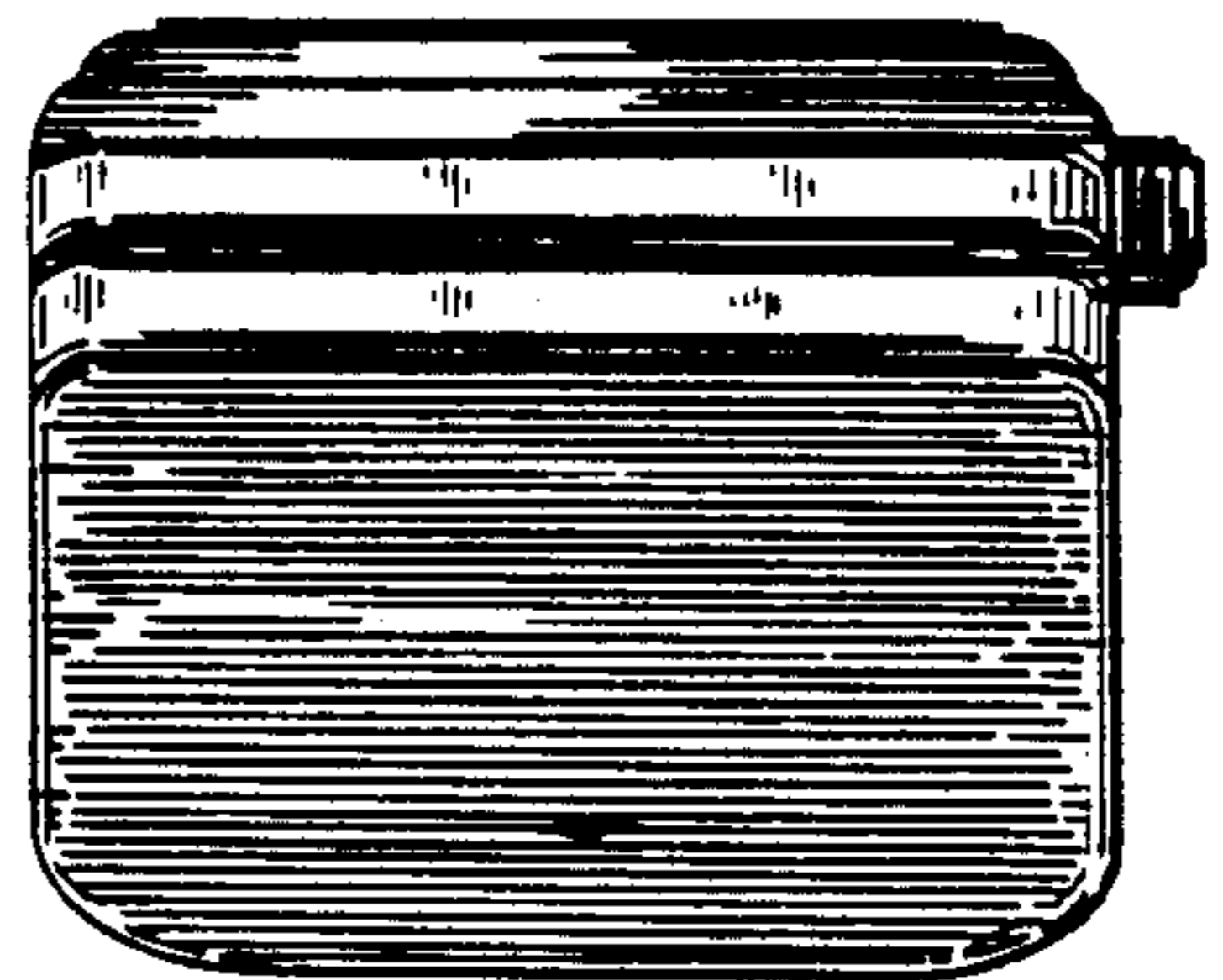


FIG. 7

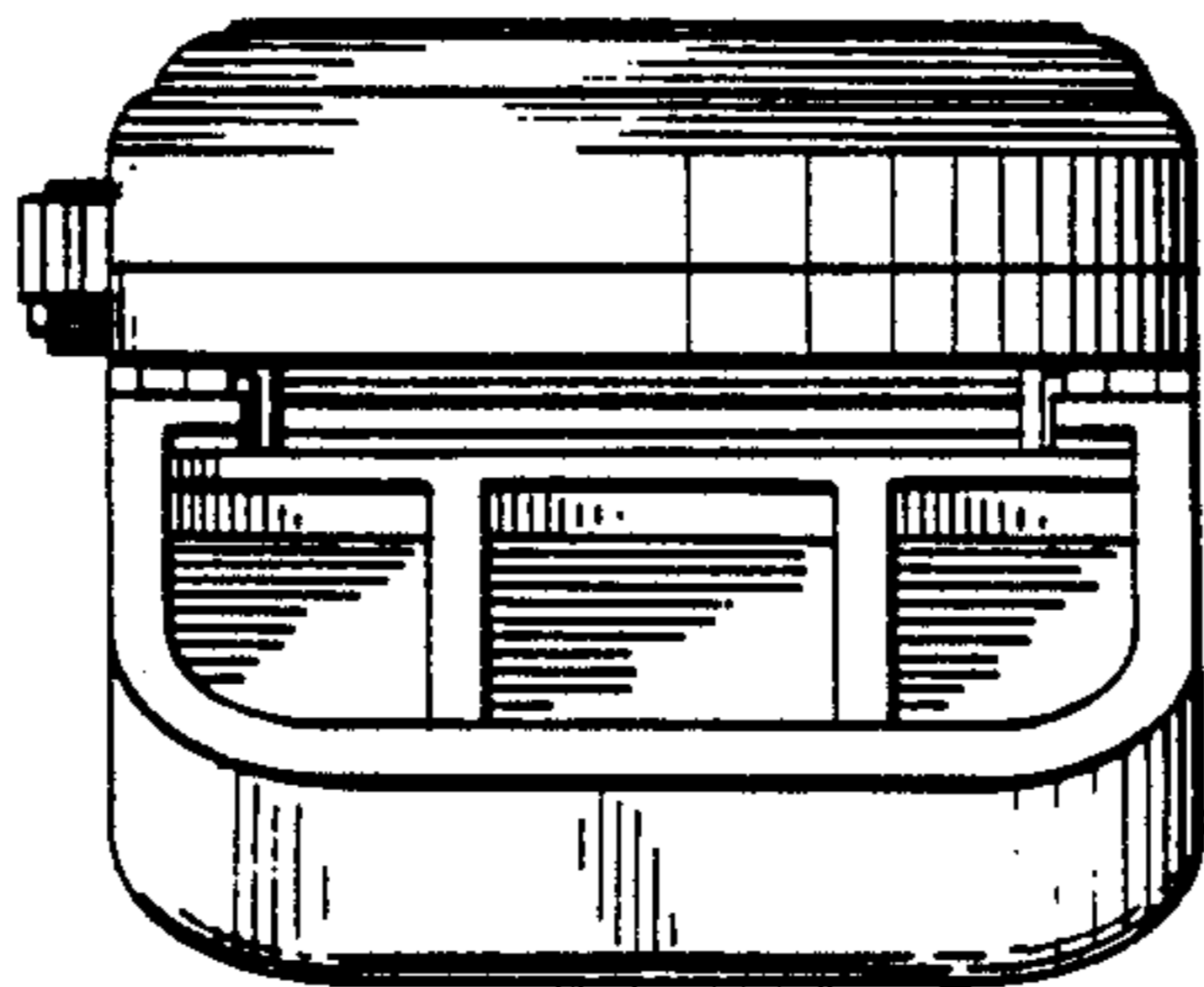


FIG. 8

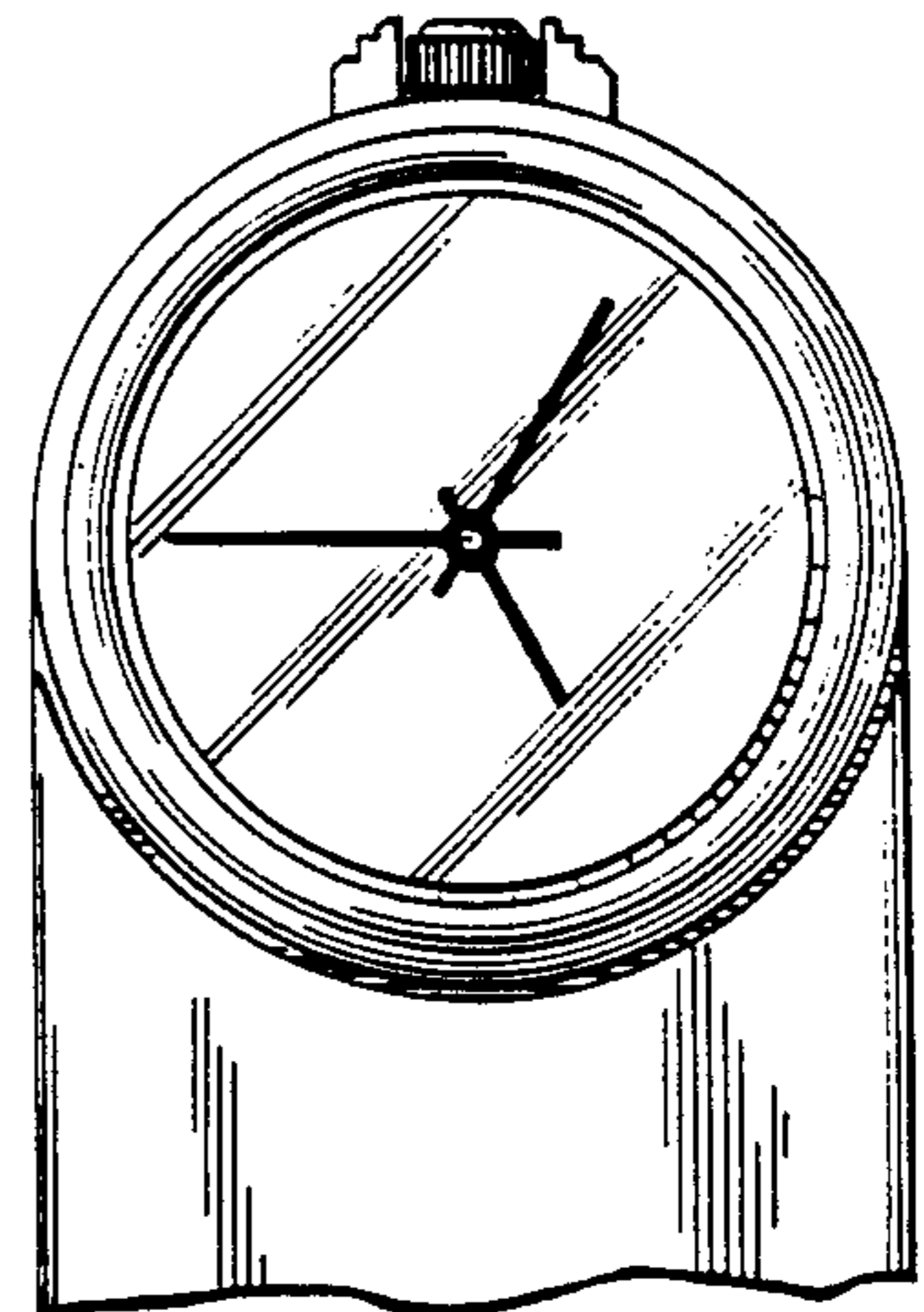


FIG. 9

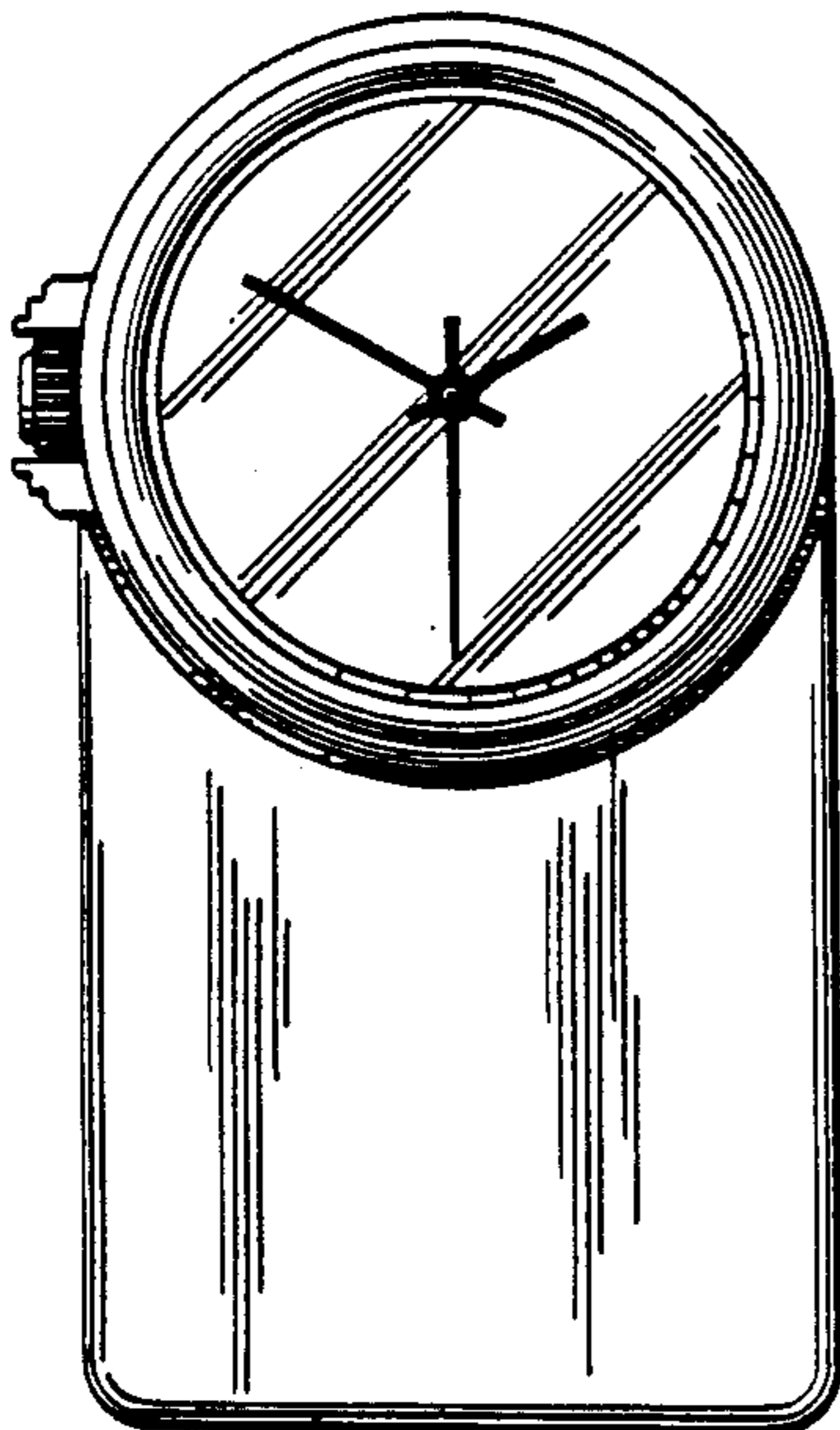


FIG. 10

