

United States Patent [19]

Fomby

[11] Patent Number: **Des. 292,669**

[45] Date of Patent: **** Nov. 10, 1987**

[54] **BANDAGE ROLLER**

[75] Inventor: **Kenneth A. Fomby**, Gainesville, Tex.

[73] Assignee: **K & D Plastics, Inc.**, Gainesville, Tex.

[**] Term: **14 Years**

[21] Appl. No.: **718,737**

[22] Filed: **Apr. 1, 1985**

[52] U.S. Cl. **D8/359**

[58] Field of Search **D8/359, 358; 242/60, 242/67.1 R, 62, 96; 123/187.5 P**

[56] **References Cited**

U.S. PATENT DOCUMENTS

D. 154,241	6/1959	Cramer	D8/359
527,365	10/1894	Crabtree	242/60
831,726	9/1906	Long	242/60
1,287,163	12/1918	Winter	242/60

1,359,021 11/1920 Blair 242/60

FOREIGN PATENT DOCUMENTS

14208 of 1912 United Kingdom 242/60
439797 12/1935 United Kingdom 242/60

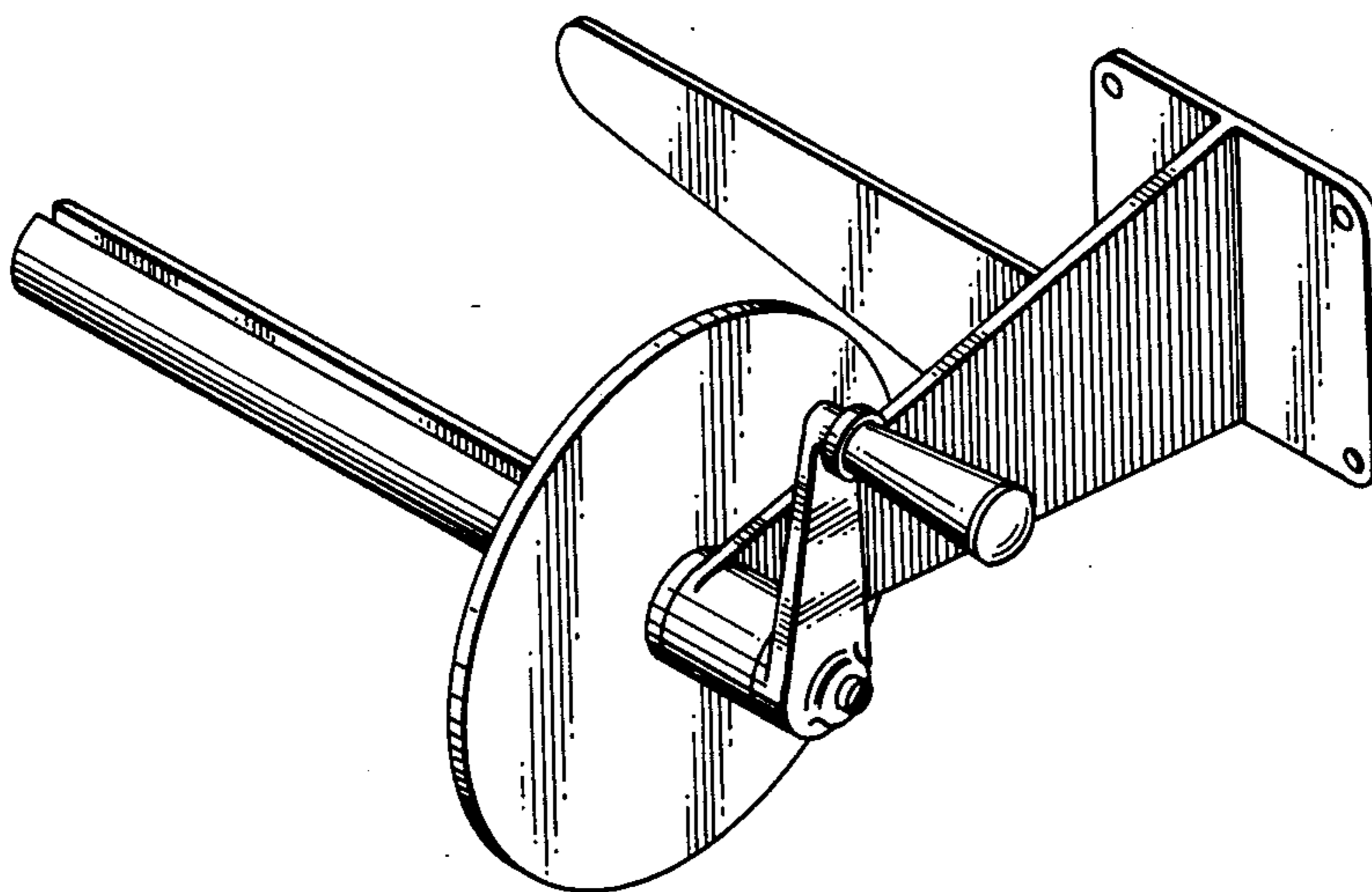
Primary Examiner—Wallace R. Burke
Assistant Examiner—Horace B. Fay
Attorney, Agent, or Firm—H. Mathews Garland

[57] CLAIM

The ornamental design for a bandage roller, as shown and described.

DESCRIPTION

FIG. 1 is a perspective view of a bandage roller showing my new design;
FIG. 2 is a front elevational view thereof;
FIG. 3 is a right end elevational view thereof;
FIG. 4 is a rear elevational view thereof;
FIG. 5 is a left side elevational view thereof;
FIG. 6 is a top plan view thereof.



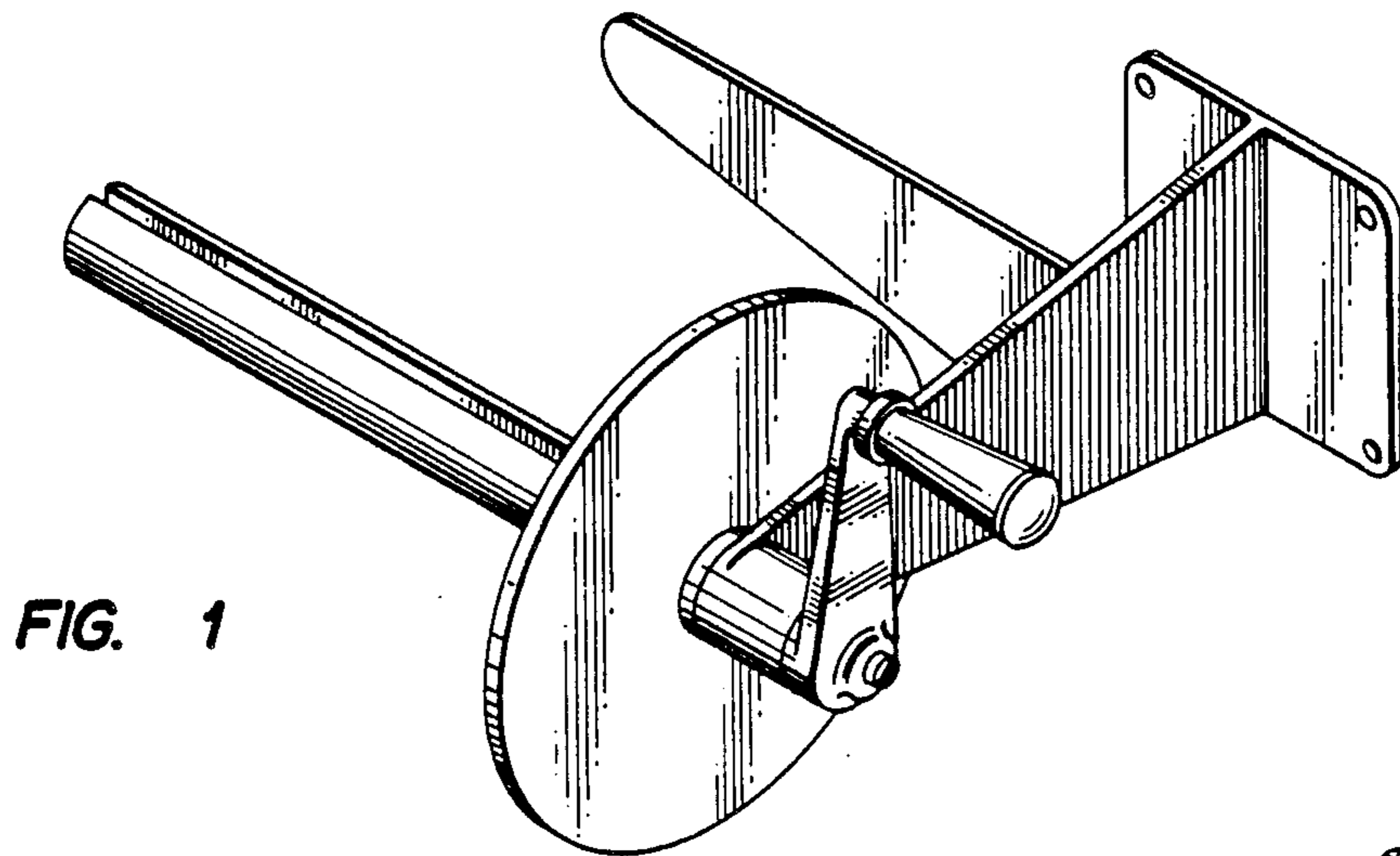


FIG. 1

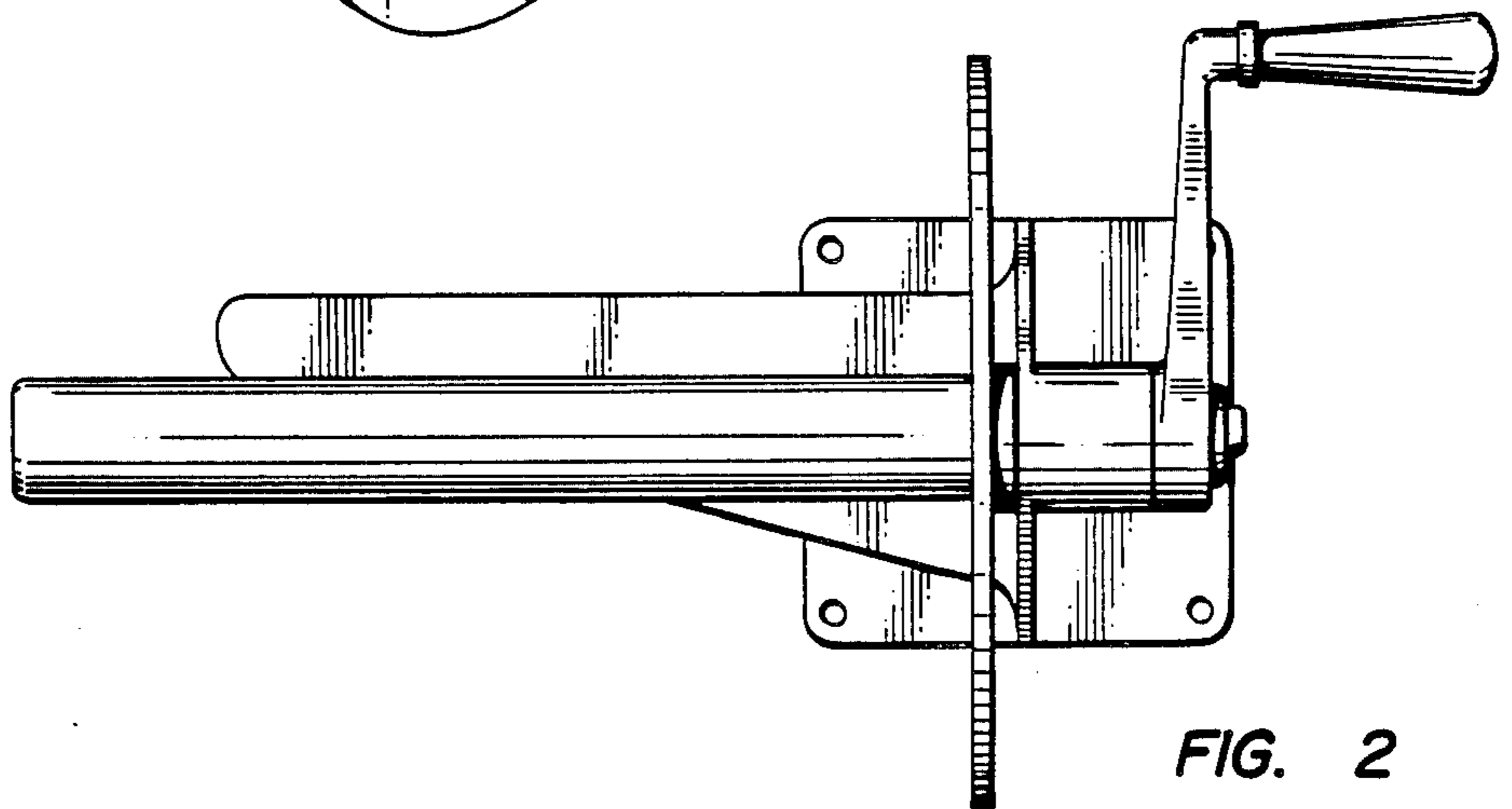


FIG. 2

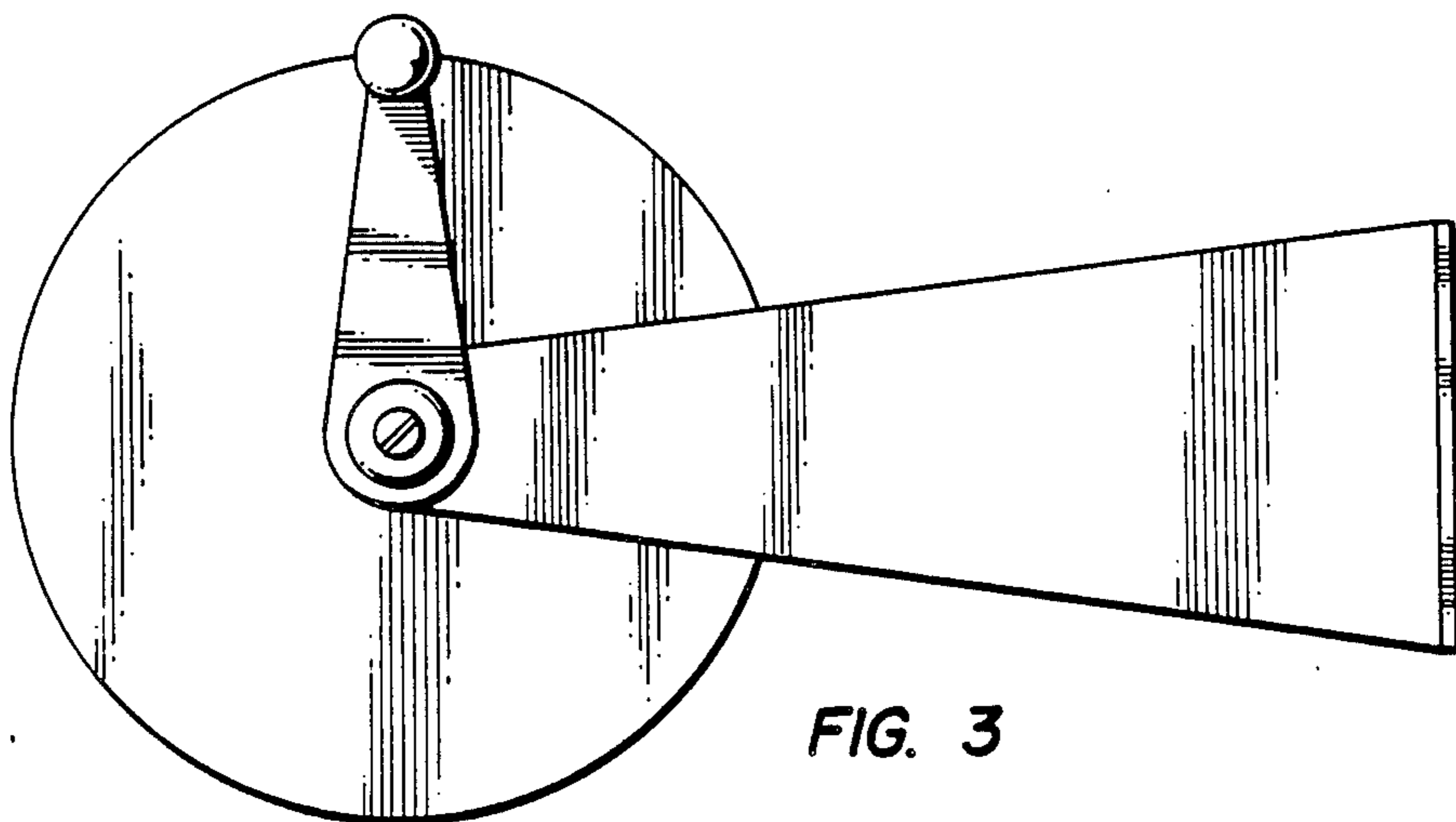


FIG. 3

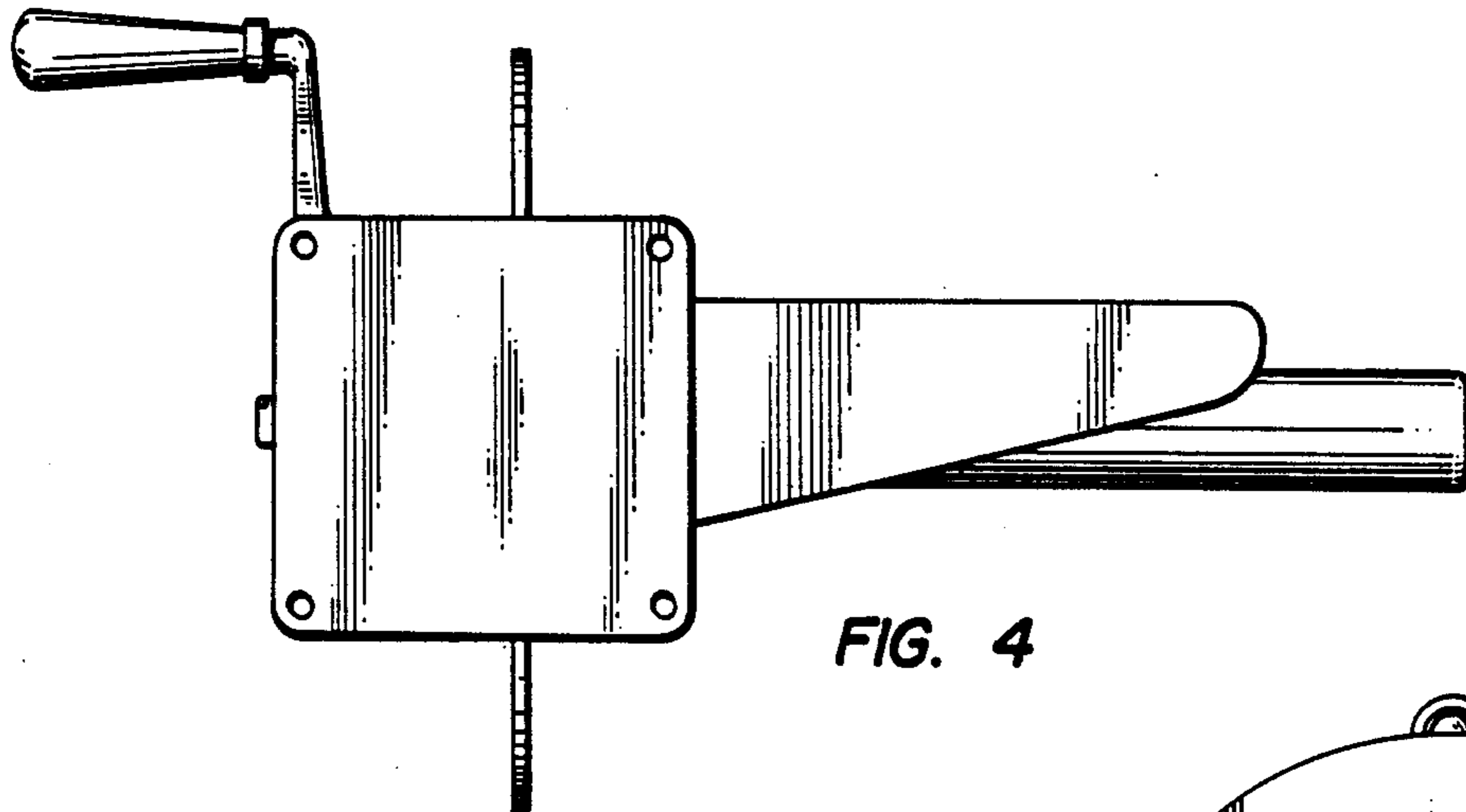


FIG. 4

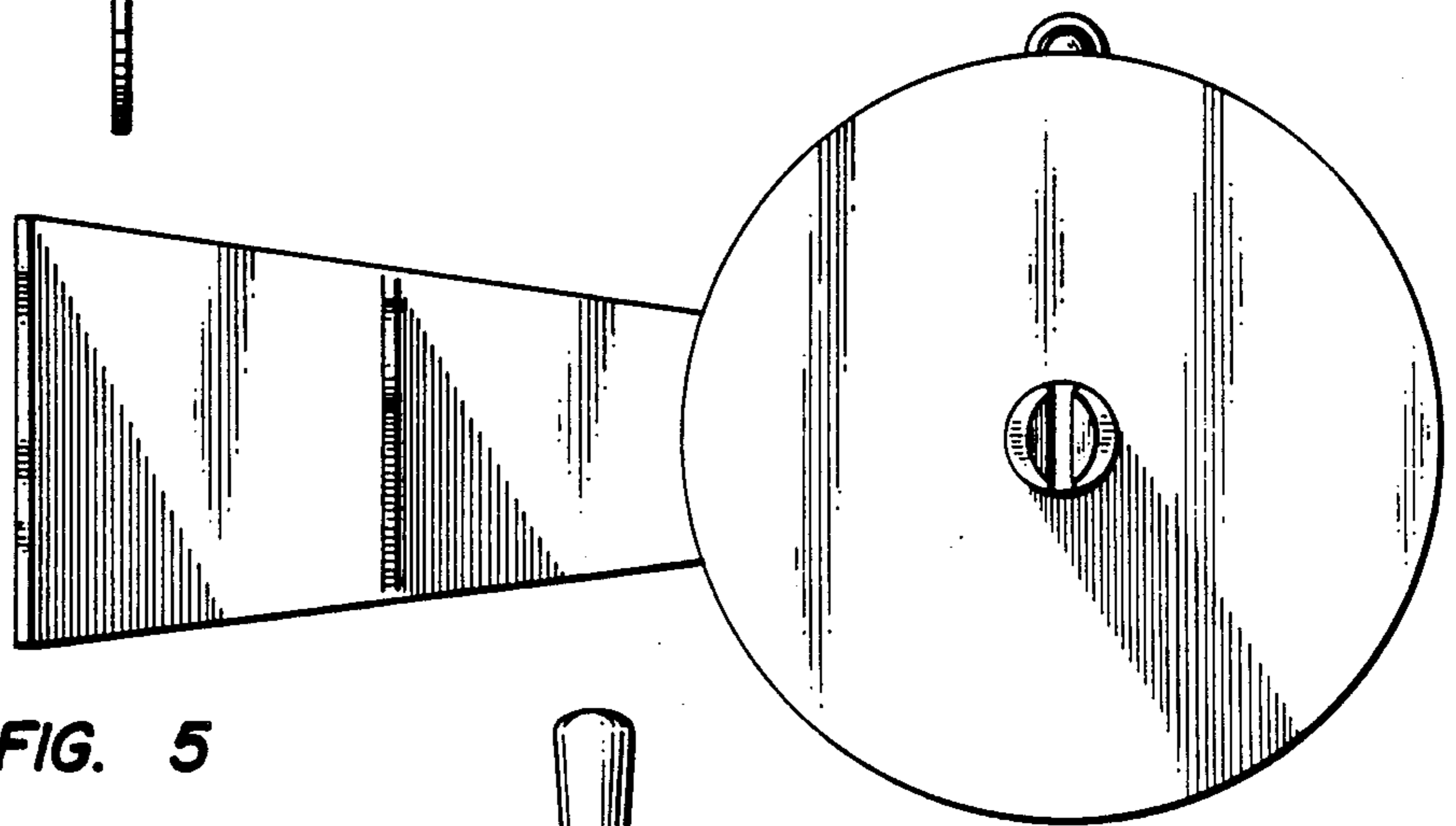


FIG. 5

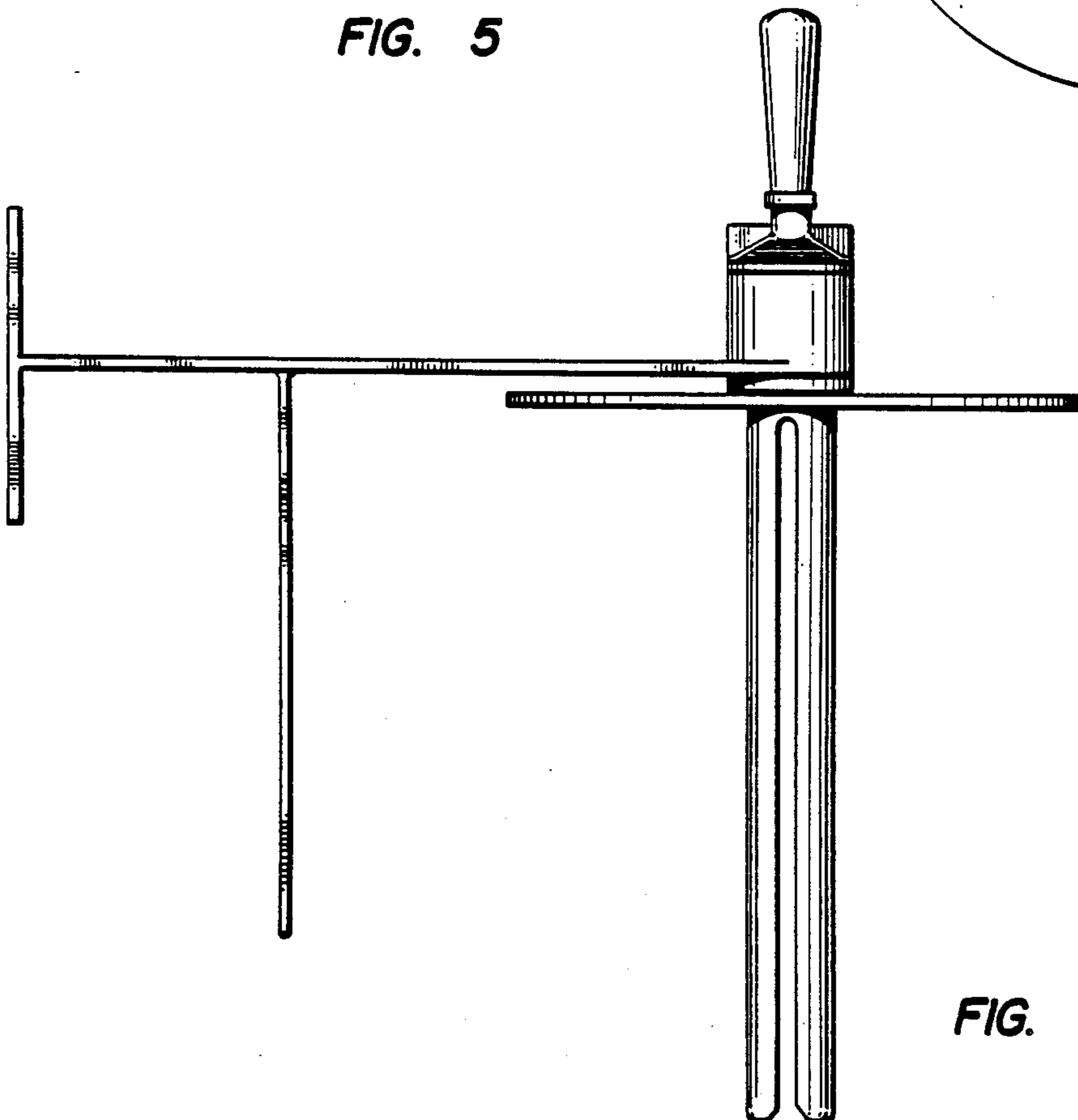


FIG. 6