

[54] COMBINATION FOOD PROCESSOR DISC  
BLADE AND ACCESSORY HOLDER

[76] Inventor: Jerome B. Alberts, 2109 San Ysidro  
Dr., Beverly Hills, Calif. 90210

[\*\*] Term: 14 Years

[21] Appl. No.: 715,721

[22] Filed: Mar. 25, 1985

[52] U.S. Cl. .... D7/74

[58] Field of Search ..... D7/74, 37, 70, 38;  
211/40, 41; D6/467, 469

[56] References Cited

U.S. PATENT DOCUMENTS

4,557,389 12/1985 Williams et al. .... 211/40 X

OTHER PUBLICATIONS

Food Processor Disc Holder, Cuisinart brochure, no-  
ticed 12/84.

Food Processor Disc Holder, Acrylic Designs Inc,  
noticed 2/85.

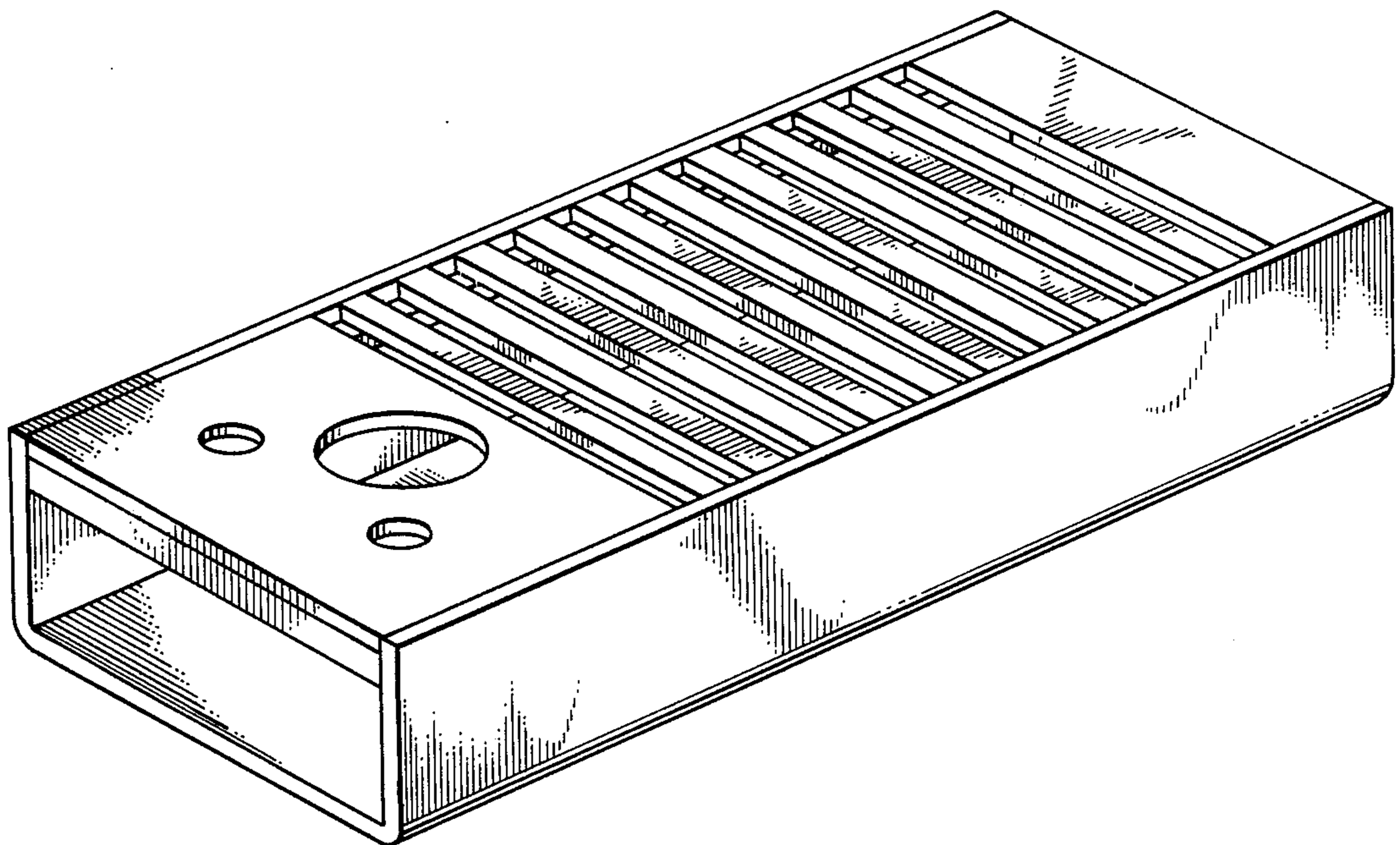
Primary Examiner—Bernard Ansher  
Assistant Examiner—Terry Pfeffer  
Attorney, Agent, or Firm—Whann & Connors

[57] CLAIM

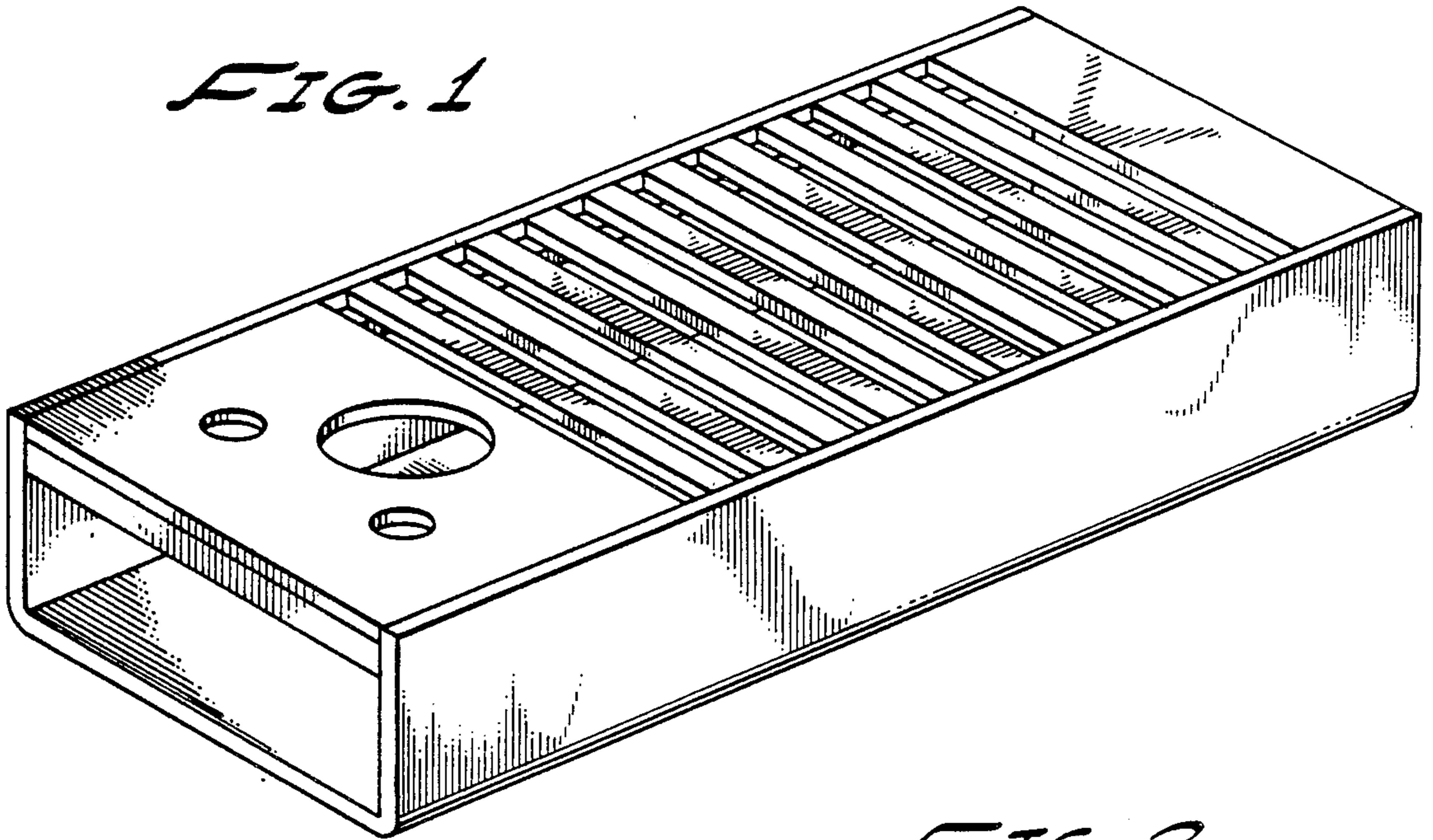
The ornamental design for a combination food proces-  
sor disc blade and accessory holder, as shown and de-  
scribed.

DESCRIPTION

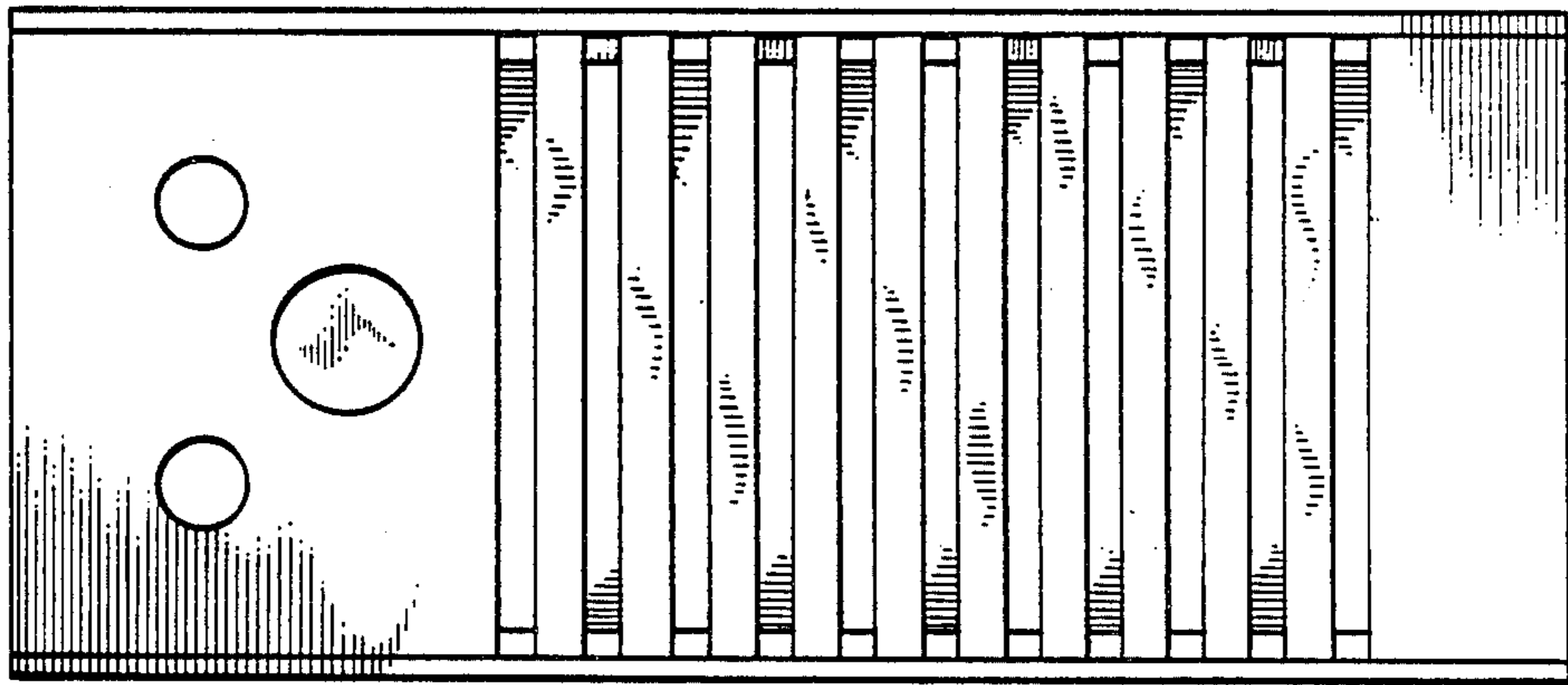
FIG. 1 is a top, front, left side perspective view of a  
combination food processor disc blade and accessory  
holder showing my new design;  
FIG. 2 is a top plan view thereof;  
FIG. 3 is a bottom plan view thereof;  
FIG. 4 is a rear elevational view thereof; and  
FIG. 5 is a right side elevational view thereof.



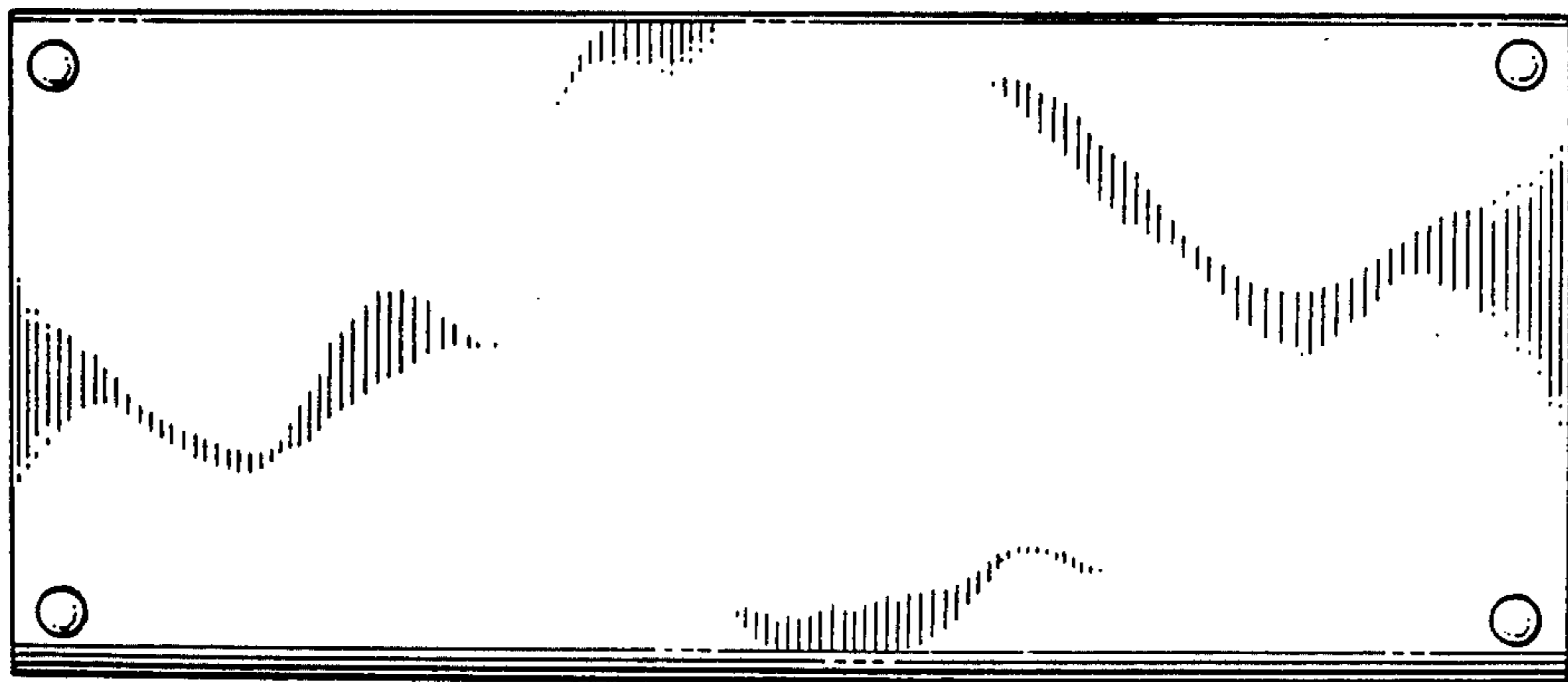
*FIG. 1*



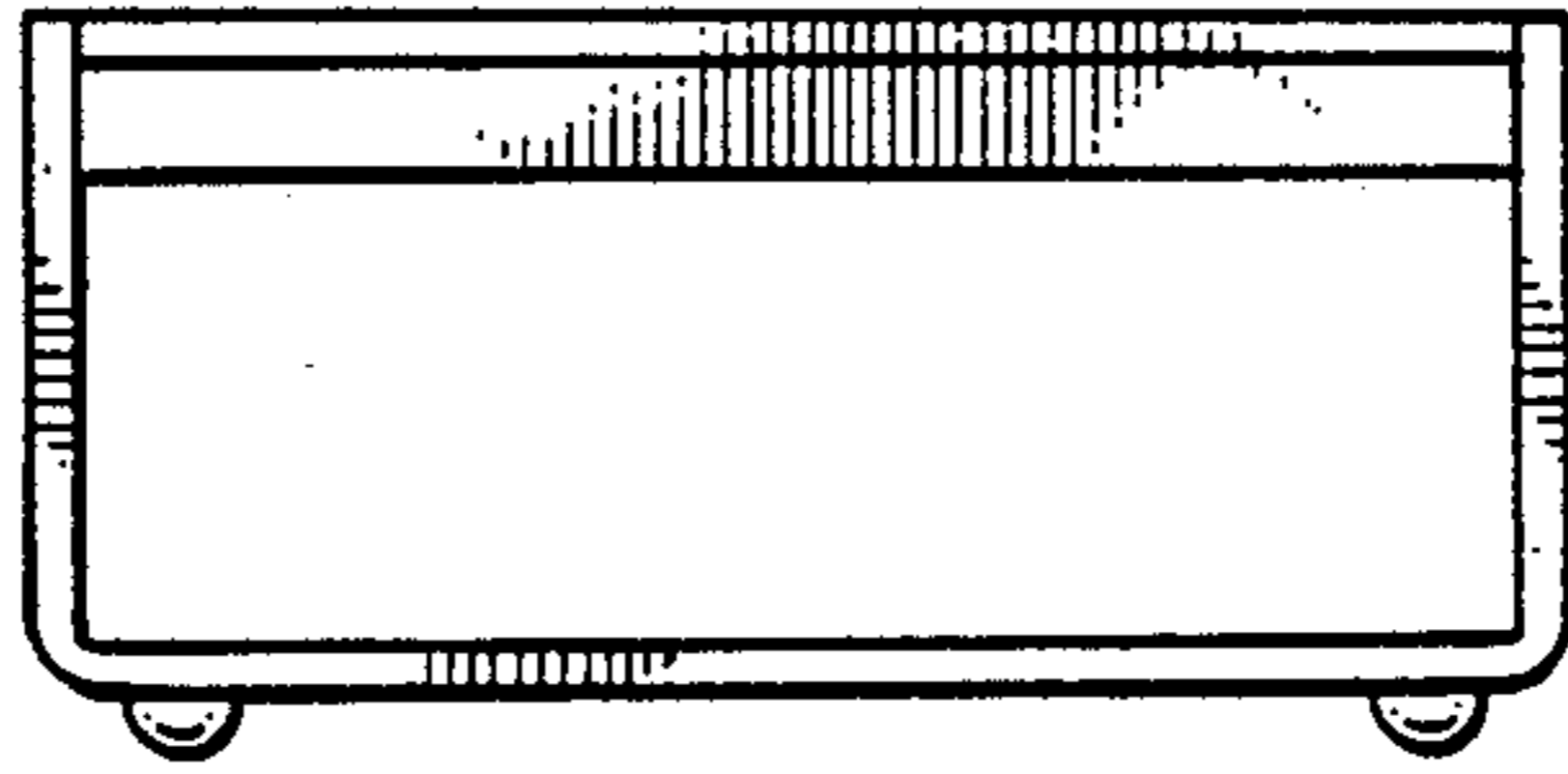
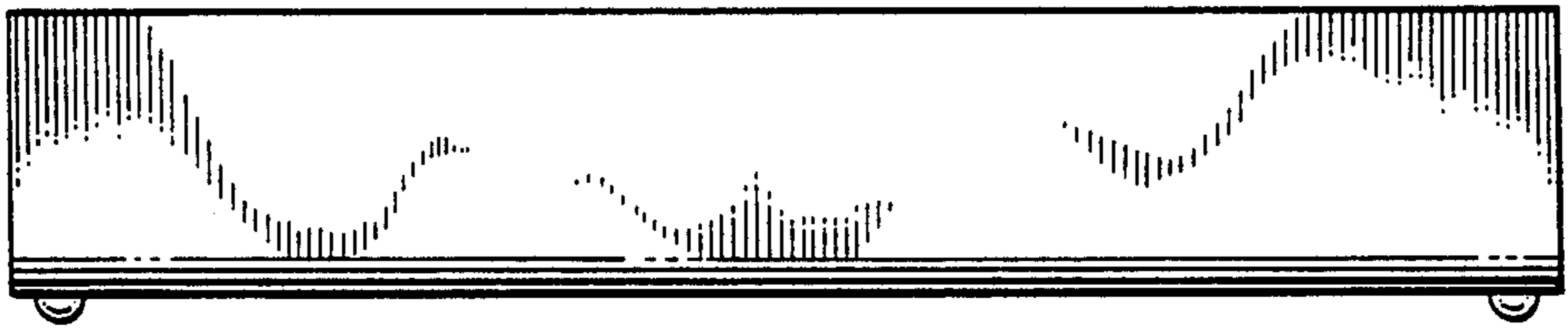
*FIG. 2*



*FIG. 3*



*FIG. 4*



*FIG. 5*