

[54] **FOOD TRAY**
[76] **Inventor: Edward H. Lacey, P.O. Box 796,
Trent, S. Dak. 57065**
[**] **Term: 14 Years**
[21] **Appl. No.: 704,748**
[22] **Filed: Feb. 25, 1985**
[52] **U.S. Cl. D7/38; D9/341**
[58] **Field of Search D7/38, 37, 73, 74;
206/557-558, 561-564; D9/341, 347, 456;
D99/34; D18/3; 206/0.8, 0.84**

[56] **References Cited**
U.S. PATENT DOCUMENTS
Re. 18,379 3/1932 Herring 206/558 X
D. 59,775 11/1921 Roehl D9/347 X
838,031 12/1906 Kirkpatrick D9/341 X

3,915,213 10/1975 Graham, Jr. 206/564 X
FOREIGN PATENT DOCUMENTS
2509590 1/1983 France 206/0.8

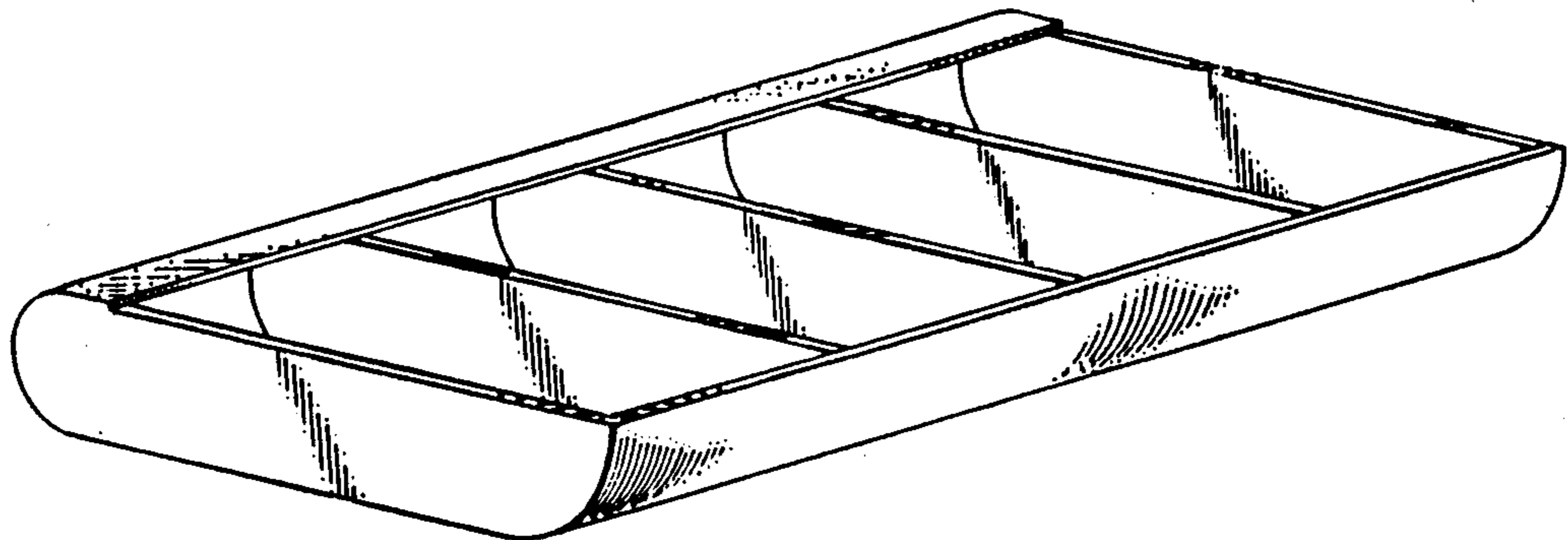
Primary Examiner—Winifred E. Herrmann

[57] **CLAIM**

The ornamental design for food tray, as shown and described.

DESCRIPTION

FIG. 1 is a top perspective view of a food tray showing my new design, and
FIG. 2 is a top plan view thereof;
The end of the tray opposite that shown in FIG. 1 is an exact mirror image of the end shown. The bottom of the tray is a smooth planar surface curved at the front and rear edges to match the curvature of the ends.



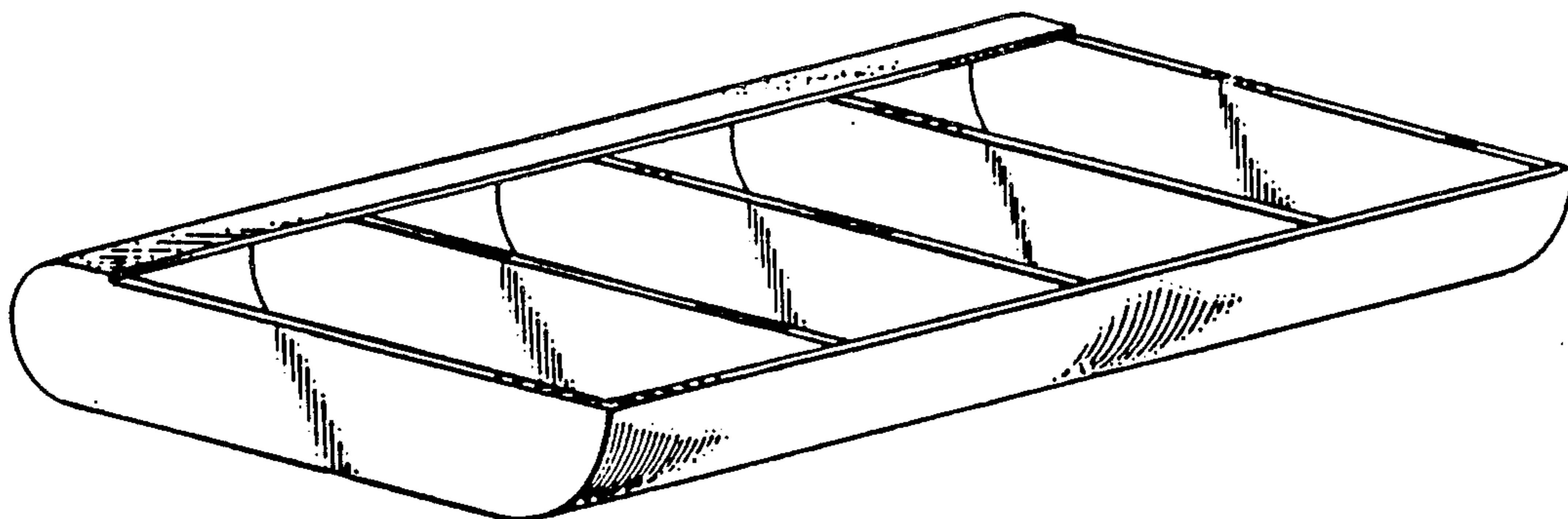


FIG. 1

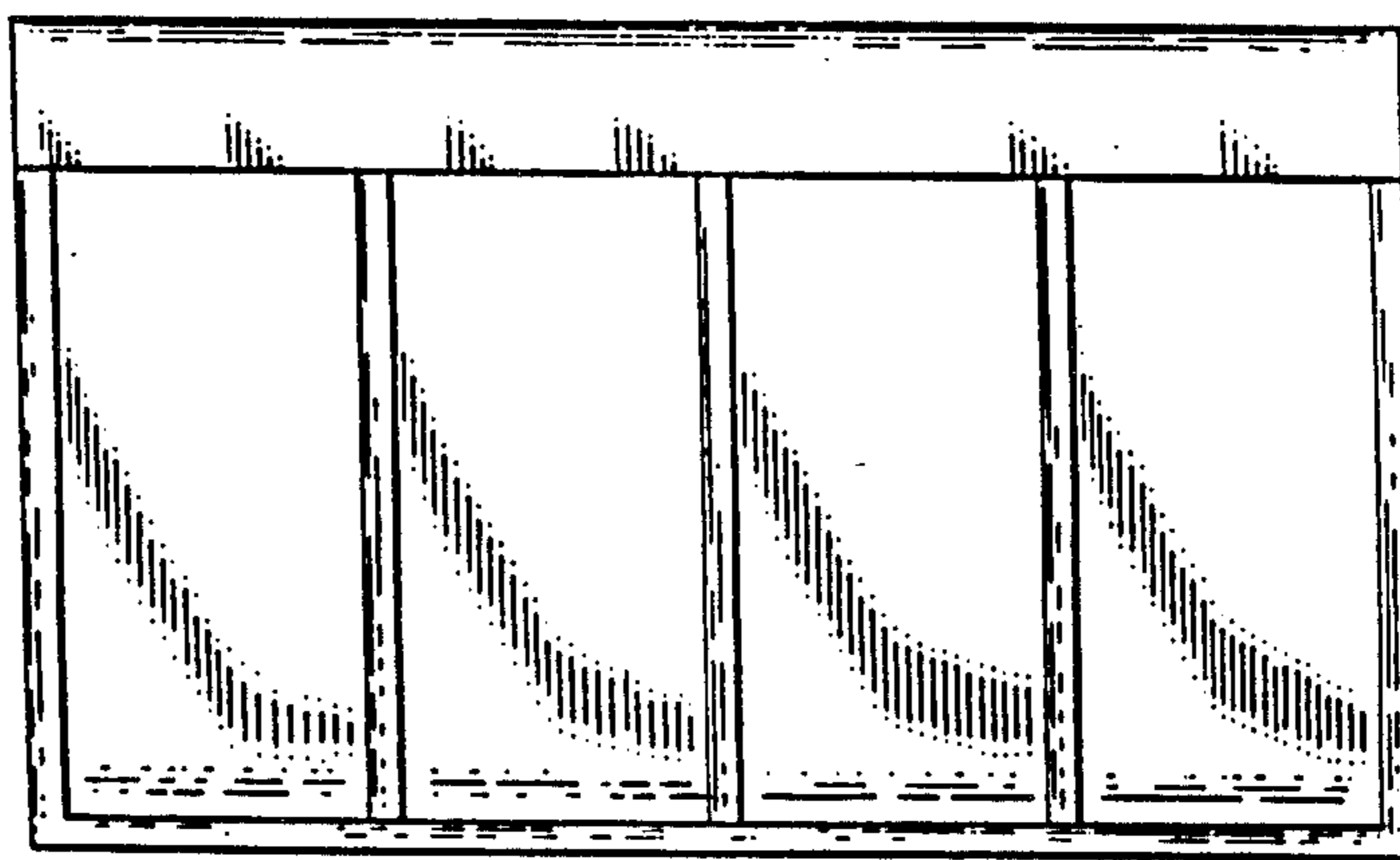


FIG. 2