

[54] **SWIVEL CHAIR**

[75] **Inventor: William B. Hendrick, Grand Rapids, Mich.**

[73] **Assignee: Mueller Furniture Corporation, Grand Rapids, Mich.**

[\*\*] **Term: 14 Years**

[21] **Appl. No.: 720,624**

[22] **Filed: Apr. 5, 1985**

[52] **U.S. Cl. .... D6/366**

[58] **Field of Search ..... D6/364, 365, 366, 367; 297/296, 297, 298, 311, 411, 421**

[56] **References Cited**

**U.S. PATENT DOCUMENTS**

D. 249,302	9/1978	Ruf	.....	D6/366
D. 254,278	2/1980	Wilson	.....	D6/366
D. 273,549	4/1984	Petitt	.....	D6/498
D. 274,864	7/1984	Diffrient	.....	D6/366
D. 282,510	2/1986	Diffrient	.....	D6/366
D. 285,629	9/1986	Franck et al.	.....	D6/366
2,135,586	11/1938	Lorenz et al.	.....	D6/372 X
2,918,243	12/1959	Johnson et al.	.....	D6/498 X

*Primary Examiner*—Bruce W. Dunkins

*Attorney, Agent, or Firm*—Barnes, Kisselle, Raisch, Choate, Whittemore & Hulbert

[57] **CLAIM**

The ornamental design of a swivel chair, substantially as shown and described.

**DESCRIPTION**

FIG. 1 is a front perspective view of a swivel chair showing my design.

FIG. 2 is a perspective view thereof, as seen from the rear.

FIG. 3 is a front elevational view thereof.

FIG. 4 is a rear elevational view thereof.

FIG. 5 is a side elevational view thereof, the opposite side being a mirror image.

FIG. 6 is a top plan view thereof.

FIG. 7 is a bottom plan view thereof.

FIG. 8 is a front elevational view on a reduced scale of a swivel chair having a modified design which differs from the design shown in FIGS. 1-7 only in that the seat back extends upwardly a greater distance and has a somewhat different shape than the seat back of the swivel chair shown in FIGS. 1-7.

FIG. 9 is a side elevational view of the swivel chair shown in FIG. 7, the opposite side being a mirror image.

FIG. 10 is a rear elevational view thereof.



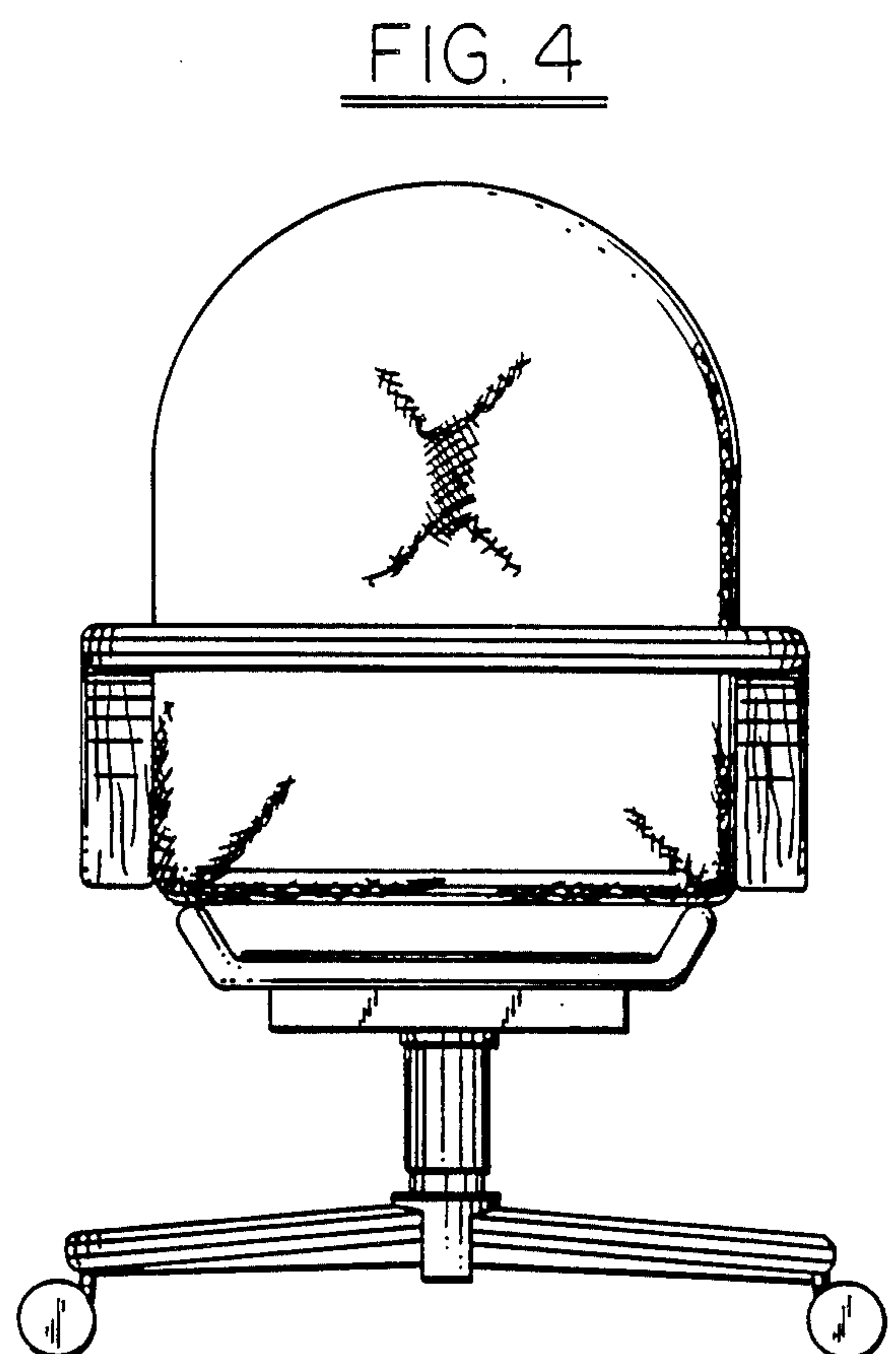
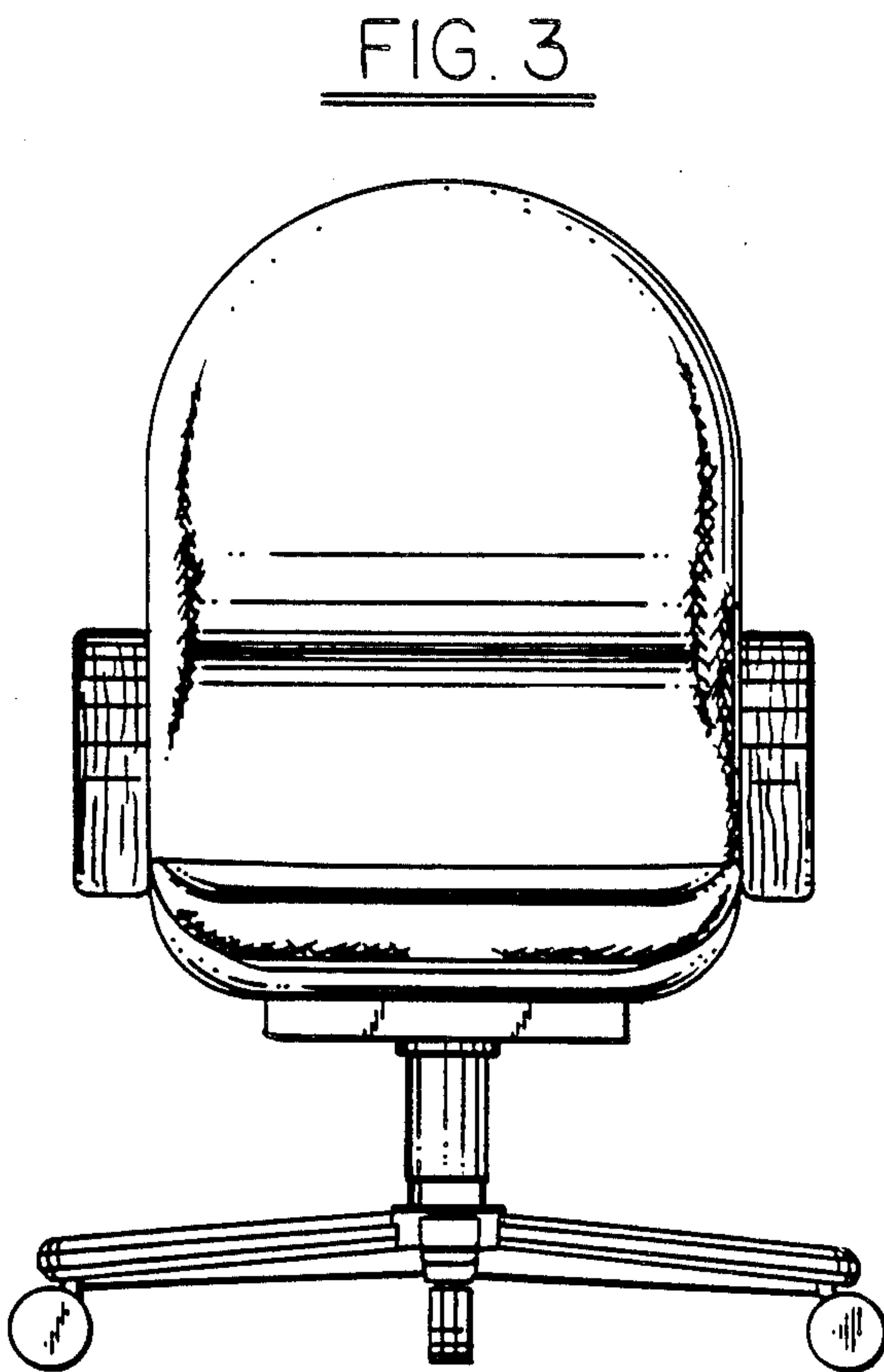
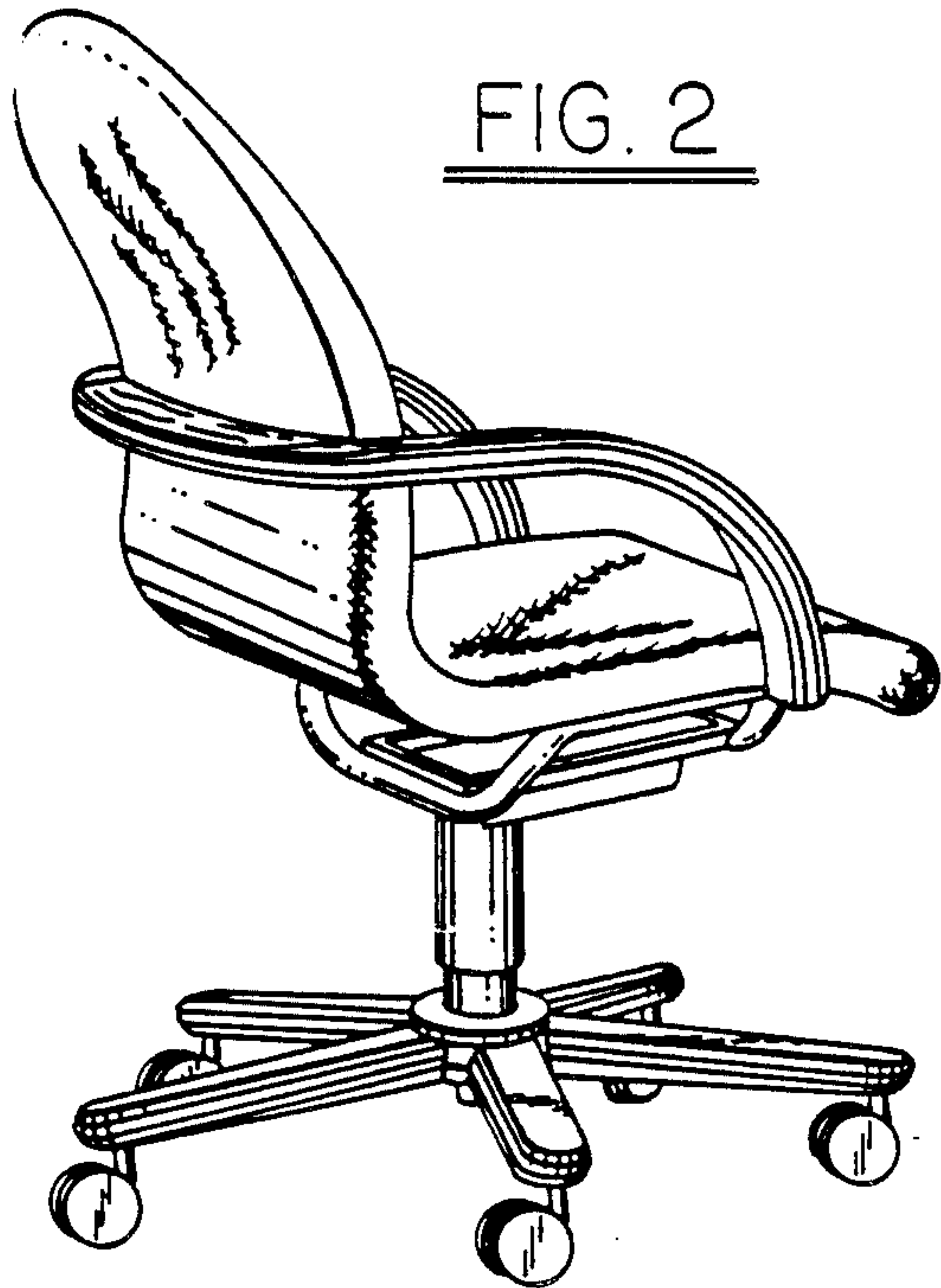


FIG. 6

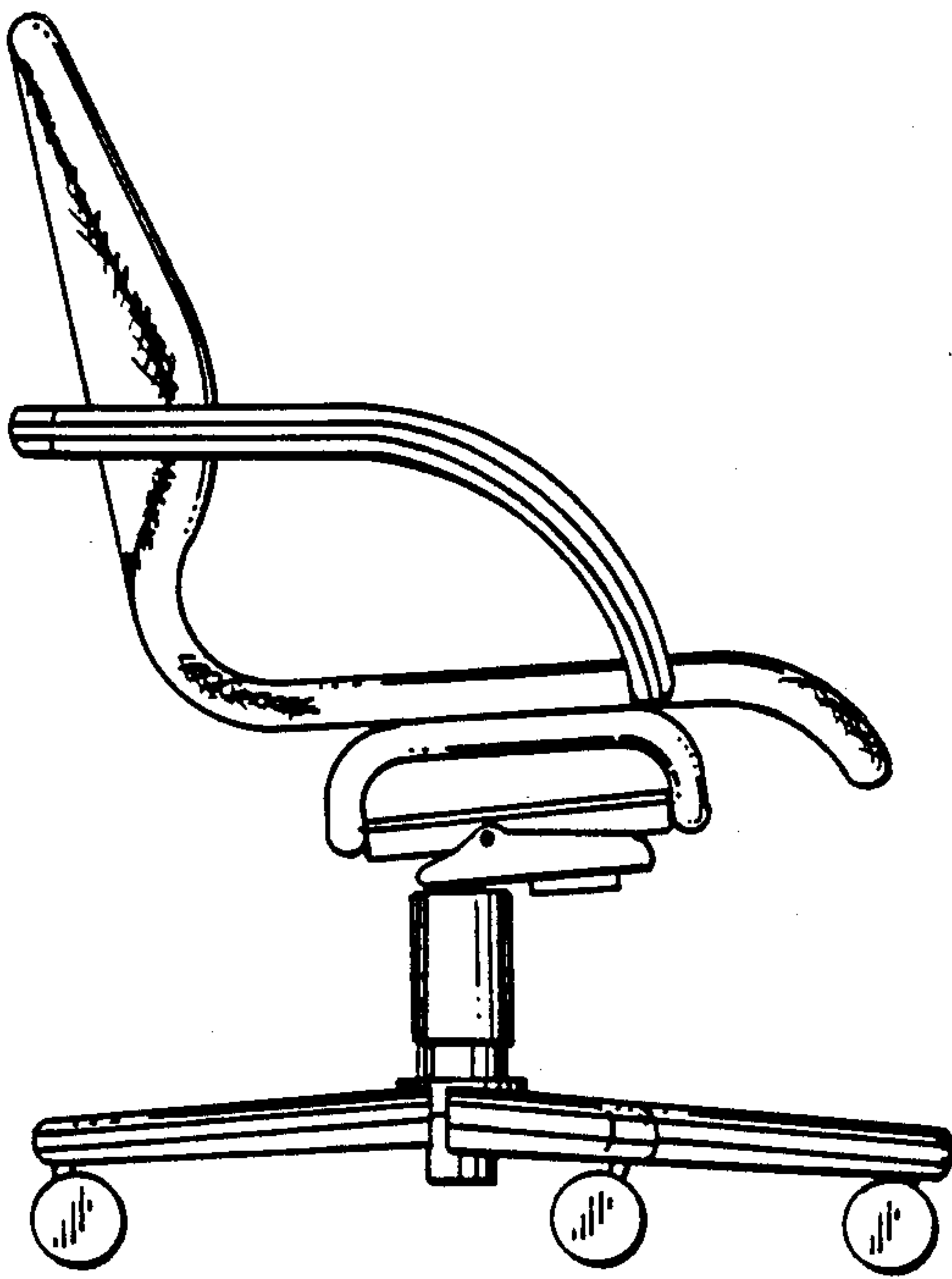
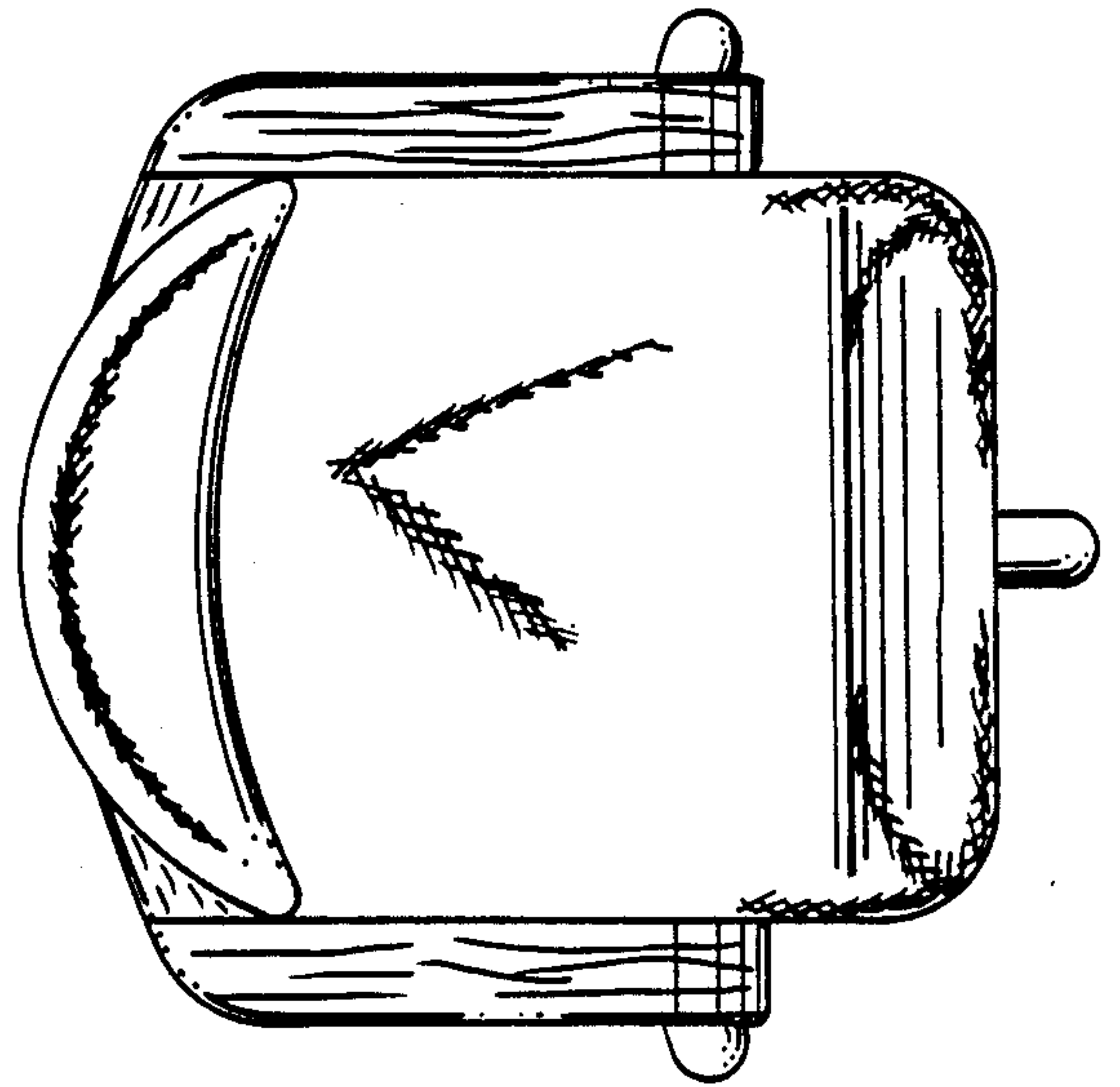


FIG. 7

FIG. 5

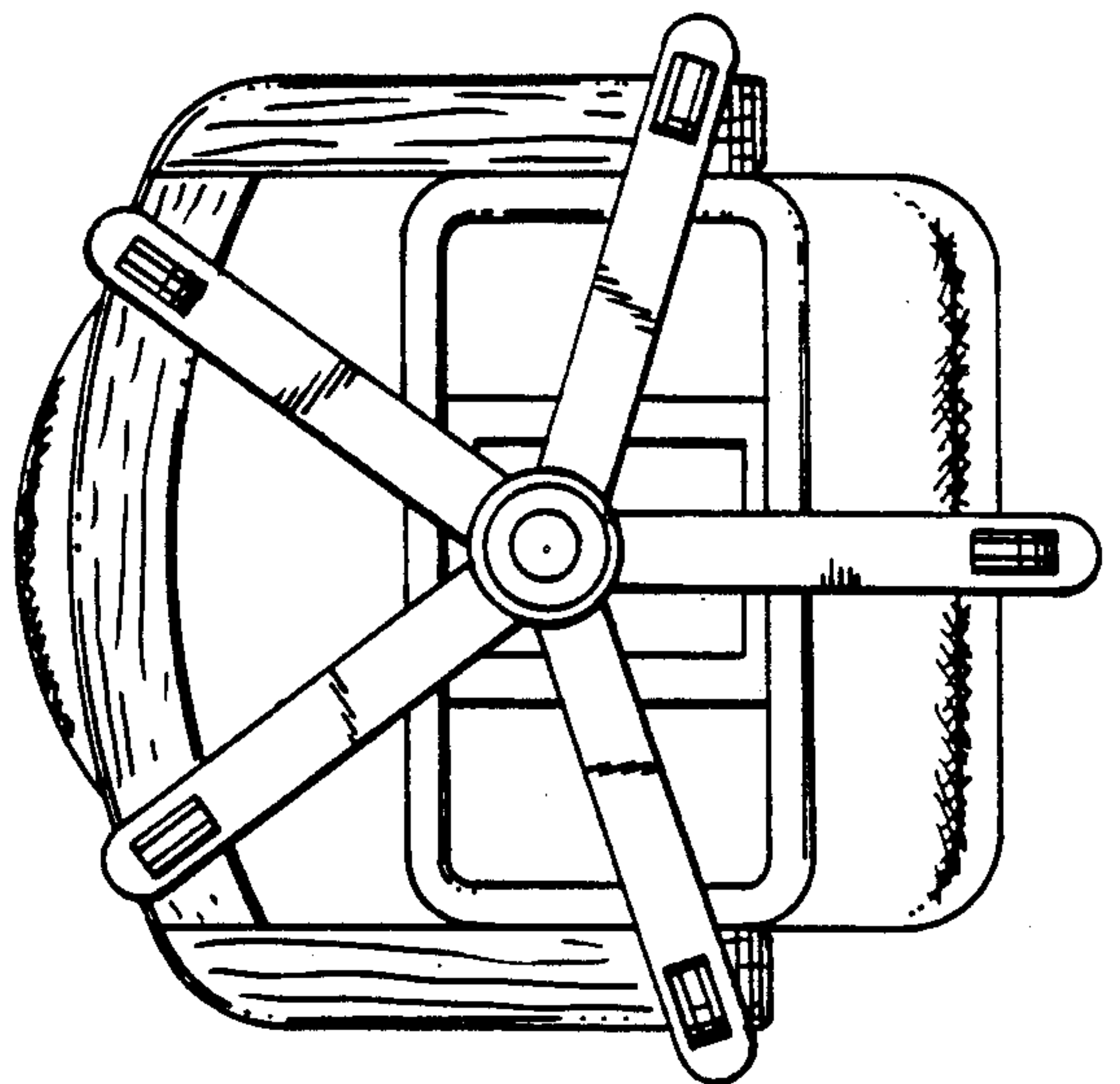


FIG. 8

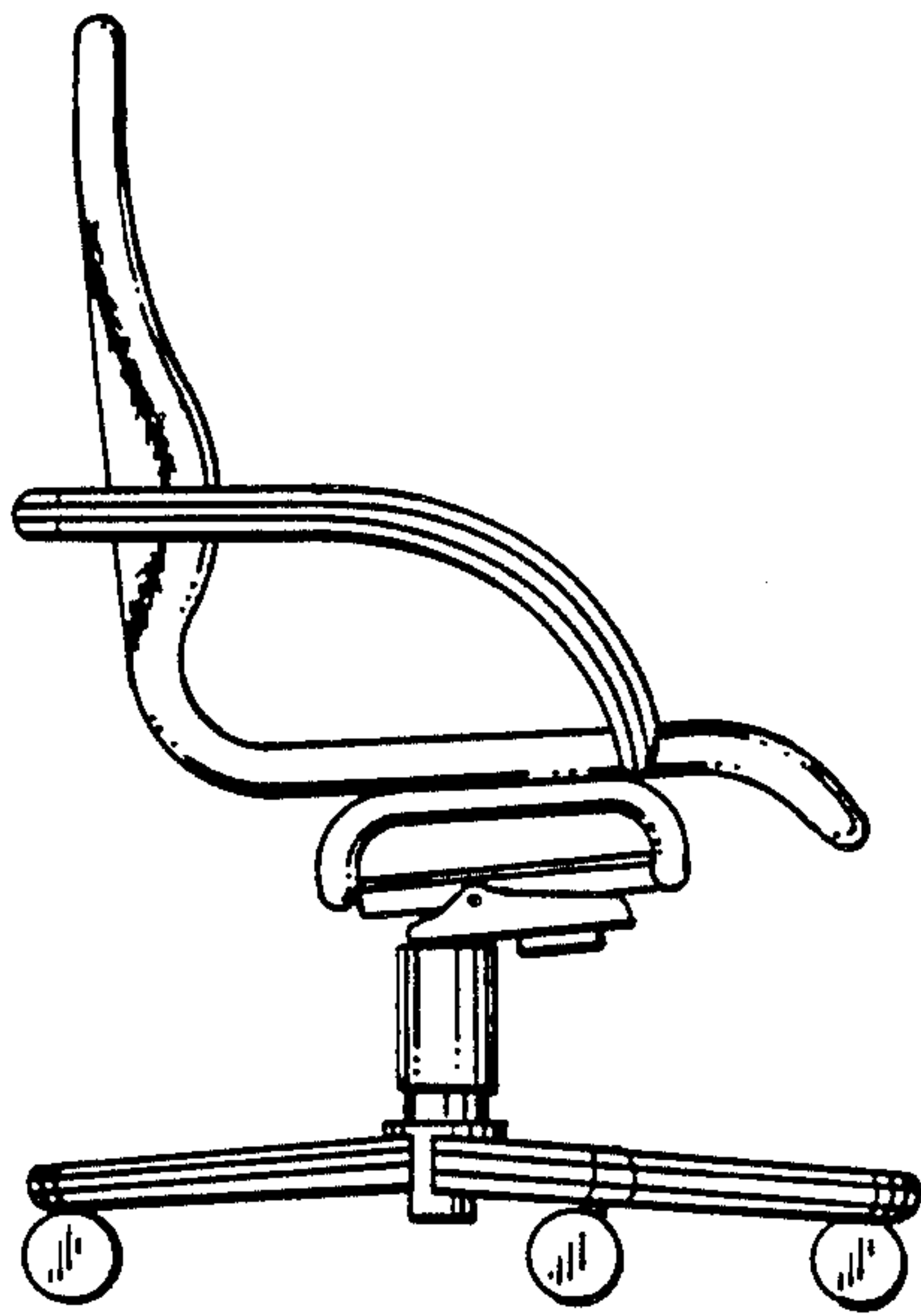
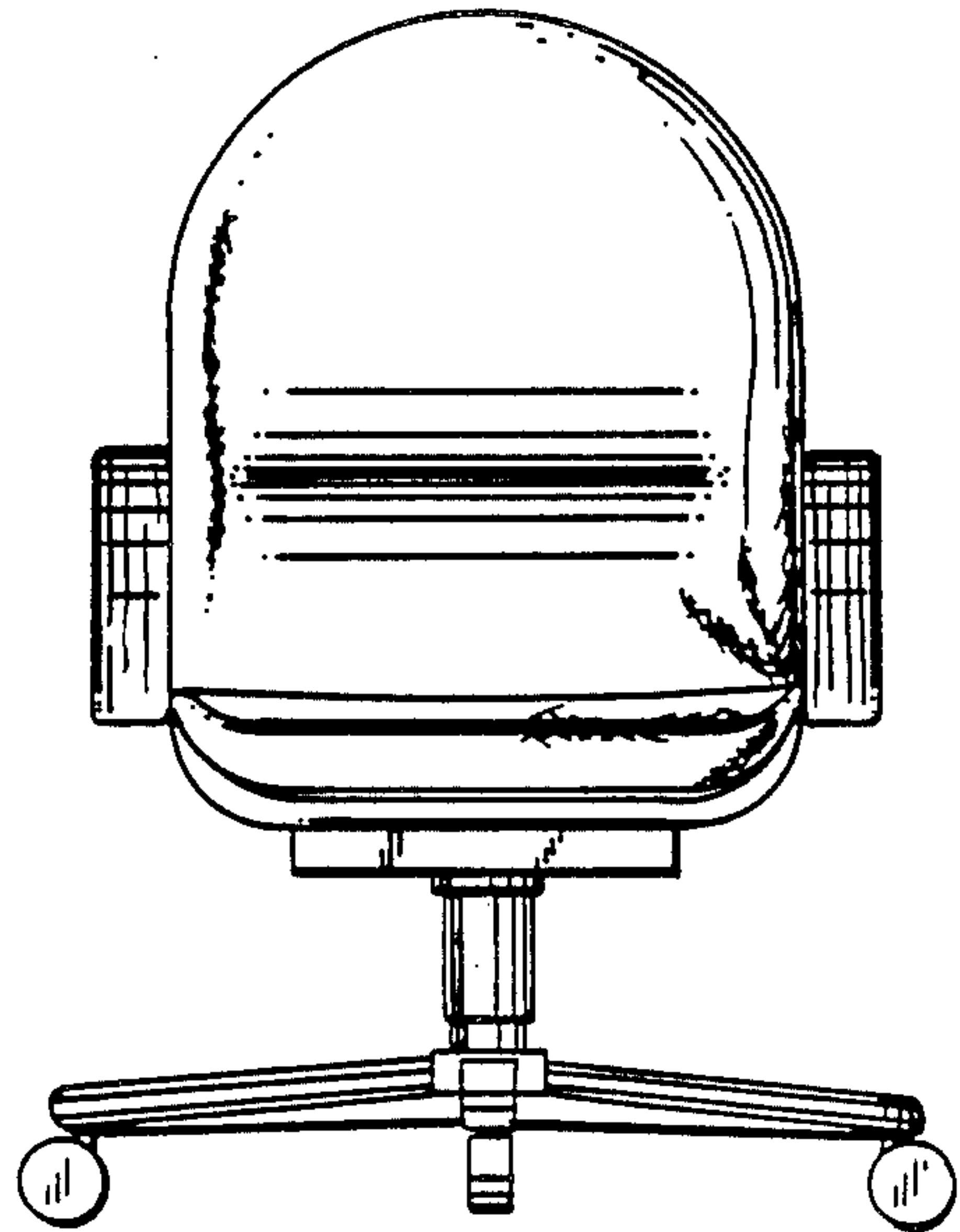


FIG. 9

FIG. 10

