

[54] **COMBINED CHAIR AND KNEE REST**

[75] **Inventor: Gregory M. Melvin, San Diego, Calif.**

[73] **Assignee: Counterstress Products, Inc., San Diego, Calif.**

[\*\*] **Term: 14 Years**

[21] **Appl. No.: 635,793**

[22] **Filed: Jul. 30, 1984**

[52] **U.S. Cl. .... D6/360; D6/335; D6/354; D6/367**

[58] **Field of Search ..... D6/360, 365, 354, 335; 297/271, 423, 429; 248/127**

[56] **References Cited**

**U.S. PATENT DOCUMENTS**

- D. 265,612 8/1982 Gusrud et al. .... D6/38
- D. 271,727 12/1983 Opsvik ..... D6/17
- D. 275,156 8/1984 Carlin ..... D6/365 X

- D. 277,722 2/1985 Gusrud ..... D6/335 X
- 4,328,991 5/1982 Mengshoel et al. .... 297/271

**OTHER PUBLICATIONS**

“Spinal Stabilizing Chair”, Counterstress Products Inc.  
“Balans Variable”, Opsvik & Mengshoel, Westnofa.

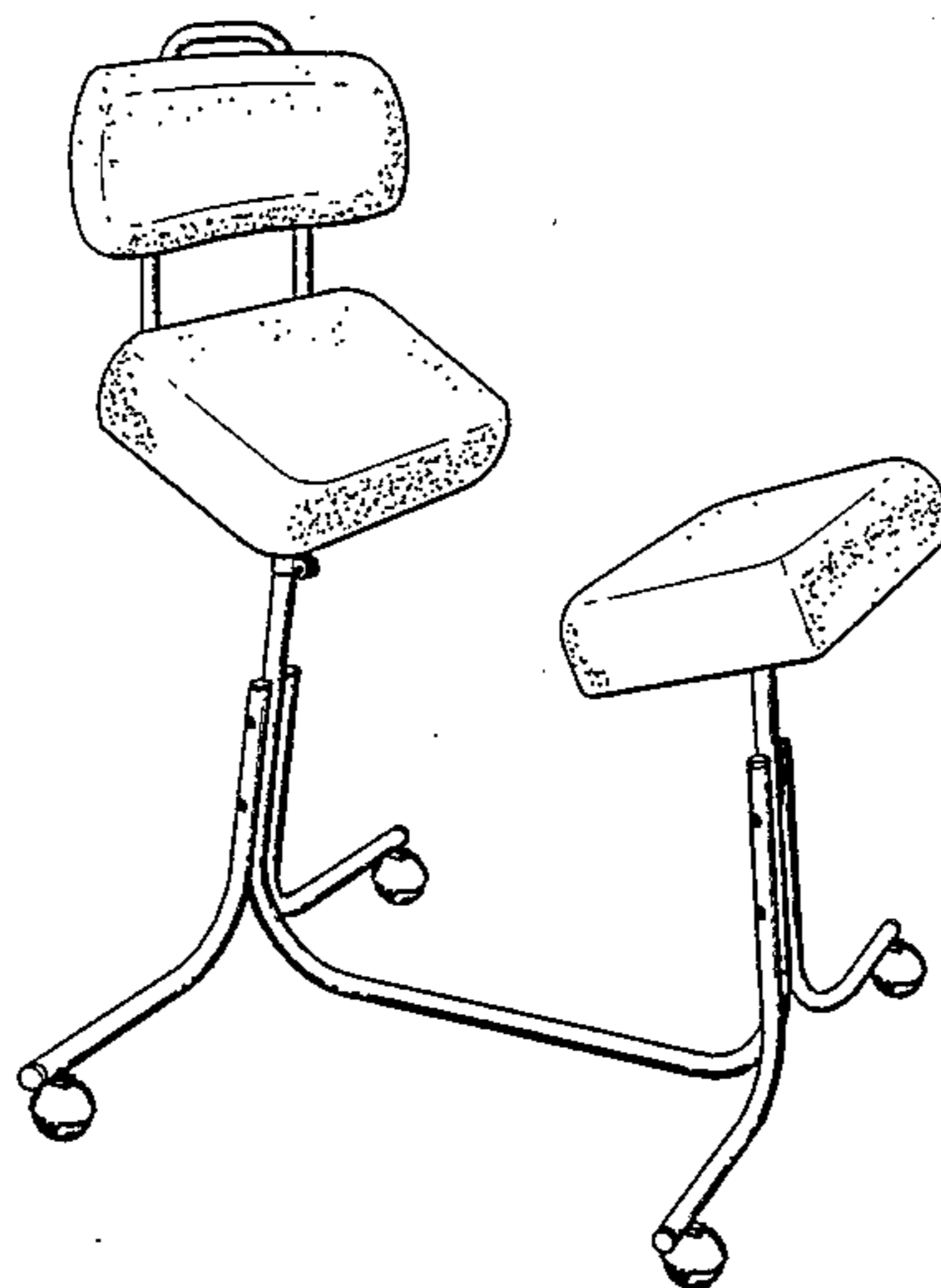
*Primary Examiner*—Bruce W. Dunkins  
*Attorney, Agent, or Firm*—Baker, Maxham & Jester

[57] **CLAIM**

The ornamental design for a combined chair and knee rest, substantially as shown.

**DESCRIPTION**

FIG. 1 is a front perspective view of a combined chair and knee rest showing my new design.  
 FIG. 2 is an enlarged left elevational view thereof.  
 FIG. 3 is an enlarged front elevational view thereof.  
 FIG. 4 is an enlarged rear elevational view thereof.  
 FIG. 5 is an enlarged top plan view thereof.  
 FIG. 6 is an enlarged bottom plan view thereof.



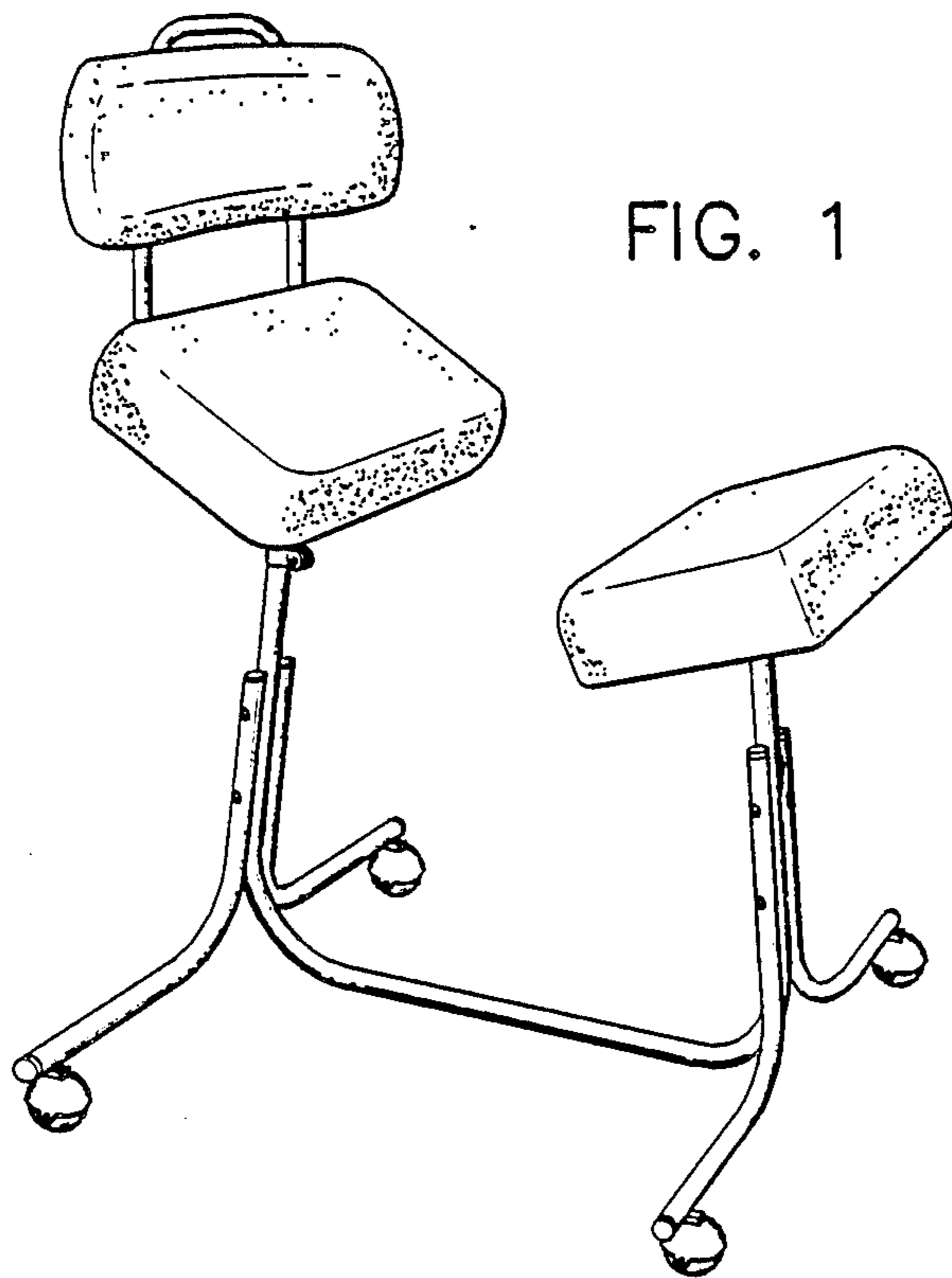


FIG. 1

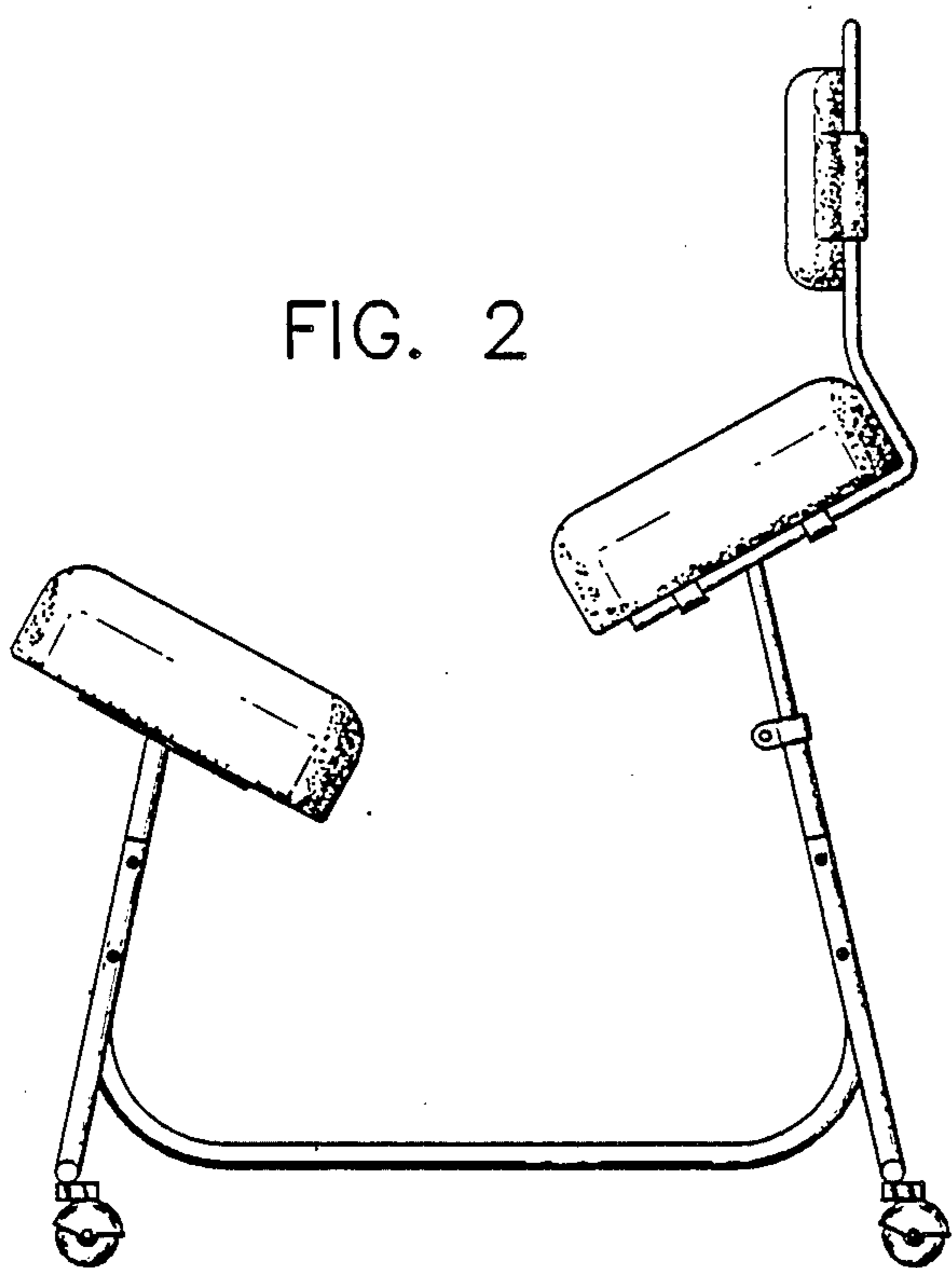


FIG. 2

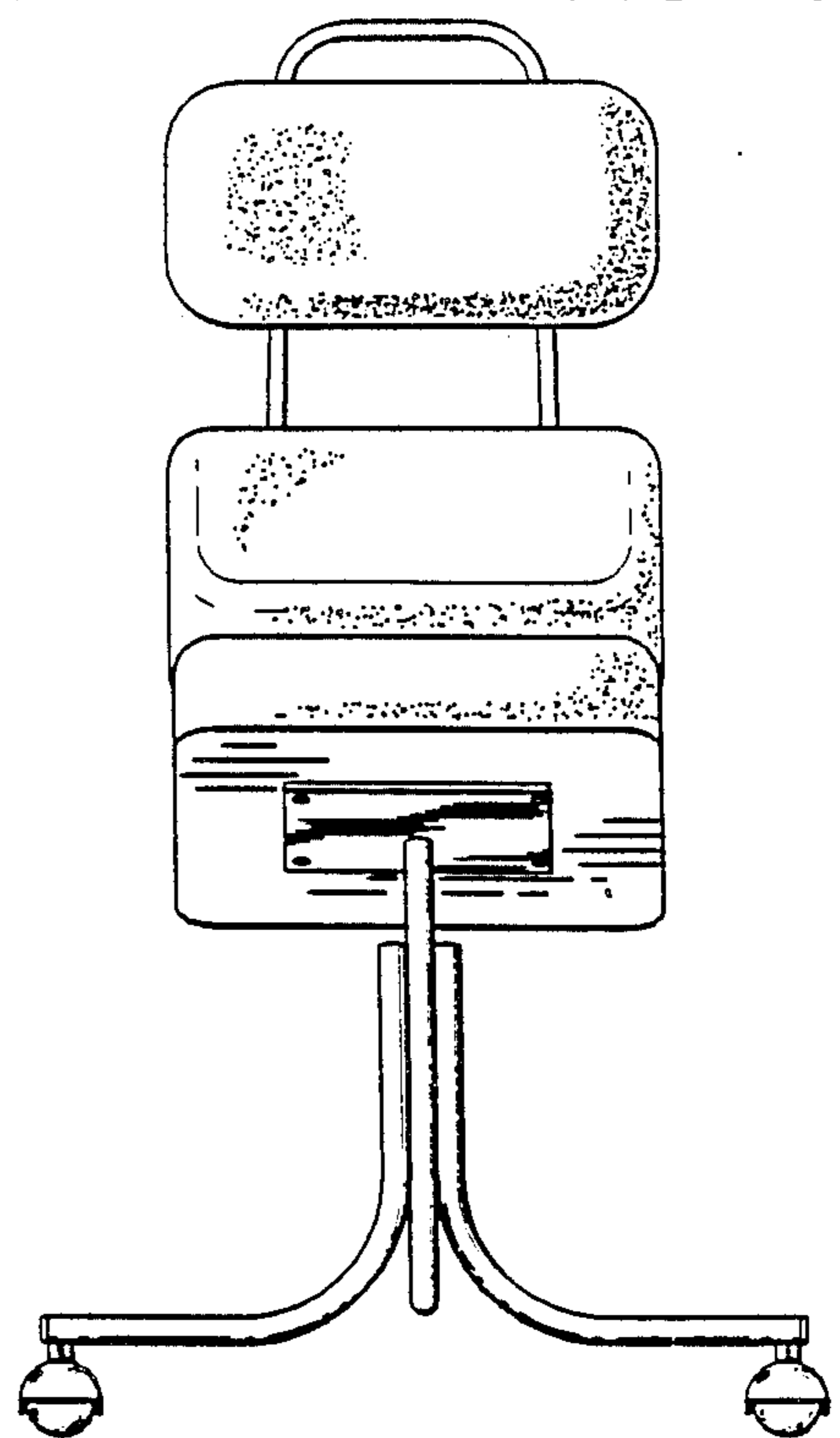


FIG. 3

FIG. 4

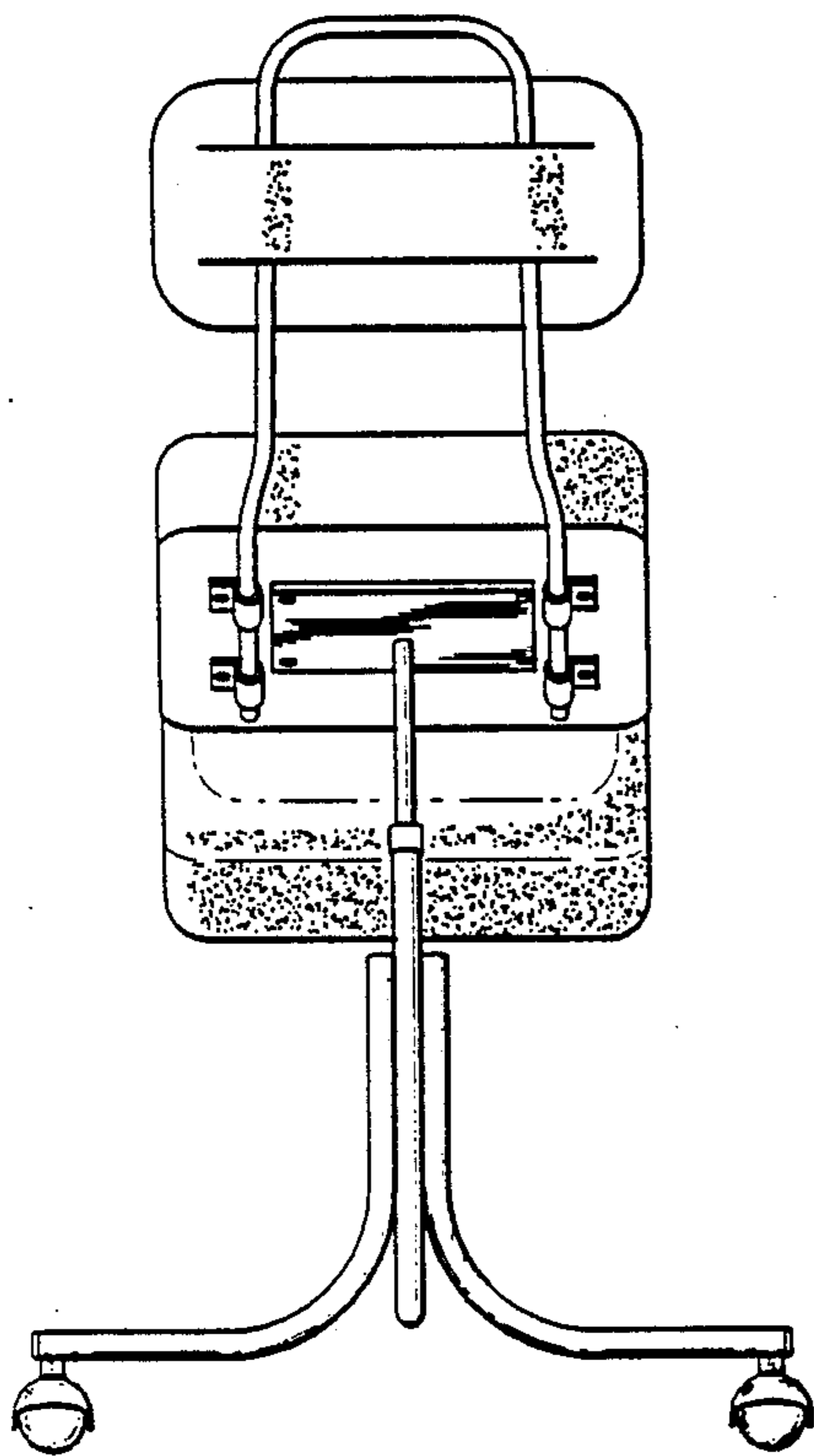


FIG. 5

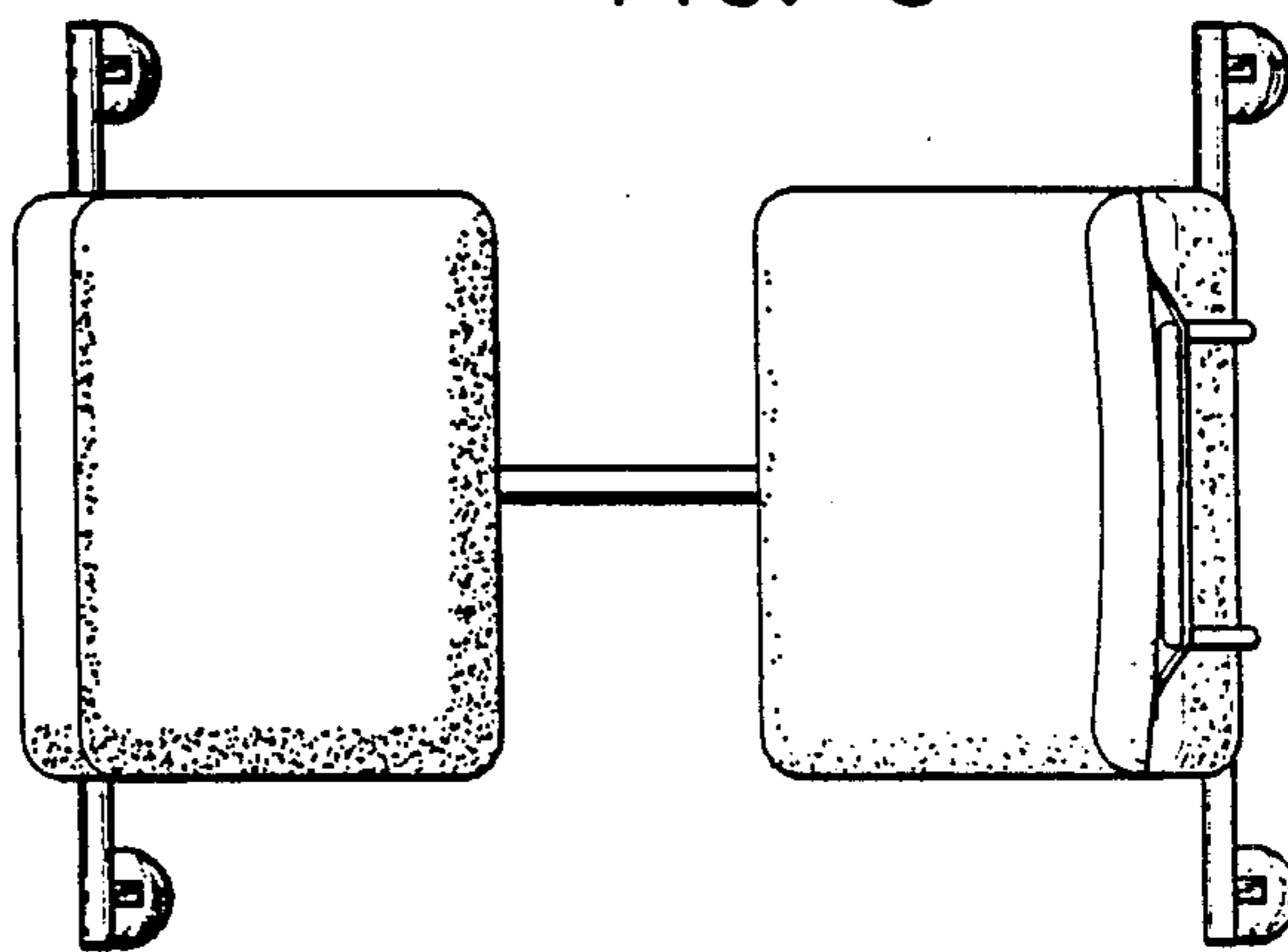


FIG. 6

