

[54] PAINT BRUSH HAVING A MANUALLY OPERATED HANDLE PUMP CONNECTED BY TUBING TO A PAINT CONTAINER

3,304,573 2/1967 Stefely ..... 401/188 R X  
3,371,980 3/1968 Stefely ..... 401/188 X  
3,640,630 2/1972 Walker ..... 401/188  
3,809,484 5/1974 Bradshaw ..... 401/185

[76] Inventor: Thomas W. Engleman, R.R. 1, Raymond, Ill. 62560

Primary Examiner—Catherine E. Kemper  
Attorney, Agent, or Firm—Don E. Ferrell

[\*\*] Term: 14 Years

[57] CLAIM

[21] Appl. No.: 592,871

The ornamental design for paint brush having a manually operated handle pump connected by tubing to a paint container, as shown and described.

[22] Filed: Mar. 23, 1984

[52] U.S. Cl. .... D4/114

[58] Field of Search ..... 401/118, 143, 185-191, 401/268, 289; D4/114, 115

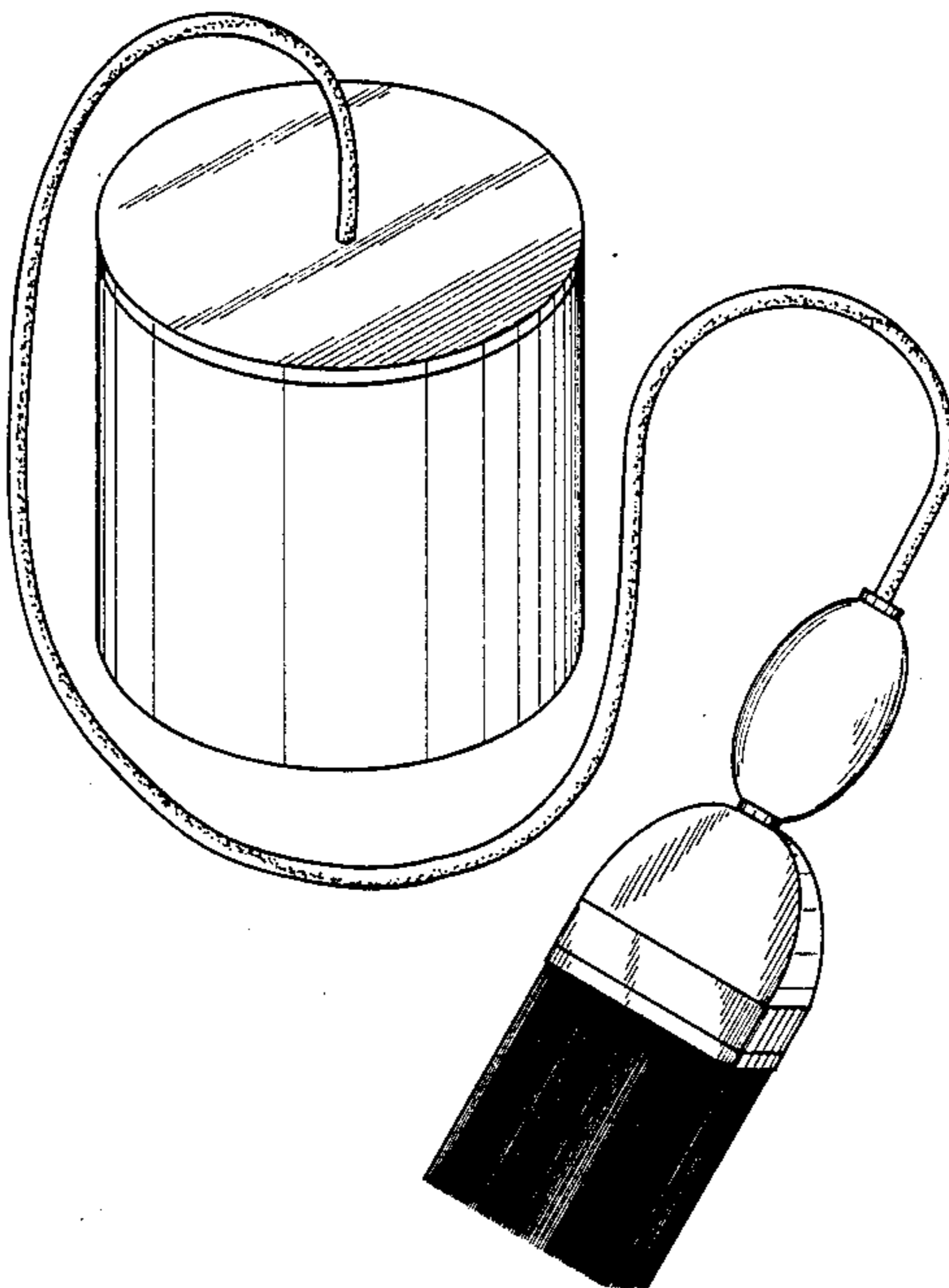
DESCRIPTION

[56] References Cited

U.S. PATENT DOCUMENTS

626,750 6/1899 Carter ..... 401/185  
2,500,306 3/1950 Brodsky ..... 401/143 X  
2,960,040 11/1960 Bischoff ..... 401/143

FIG. 1 is a perspective view of a paint brush having a manually operated handle pump connected by tubing to a paint container showing my new design; FIG. 2 is a top plan view thereof; FIG. 3 is a bottom plan view thereof, and FIG. 4 is a side elevational view thereof, shown with the tubing partially eliminated for ease of illustration.



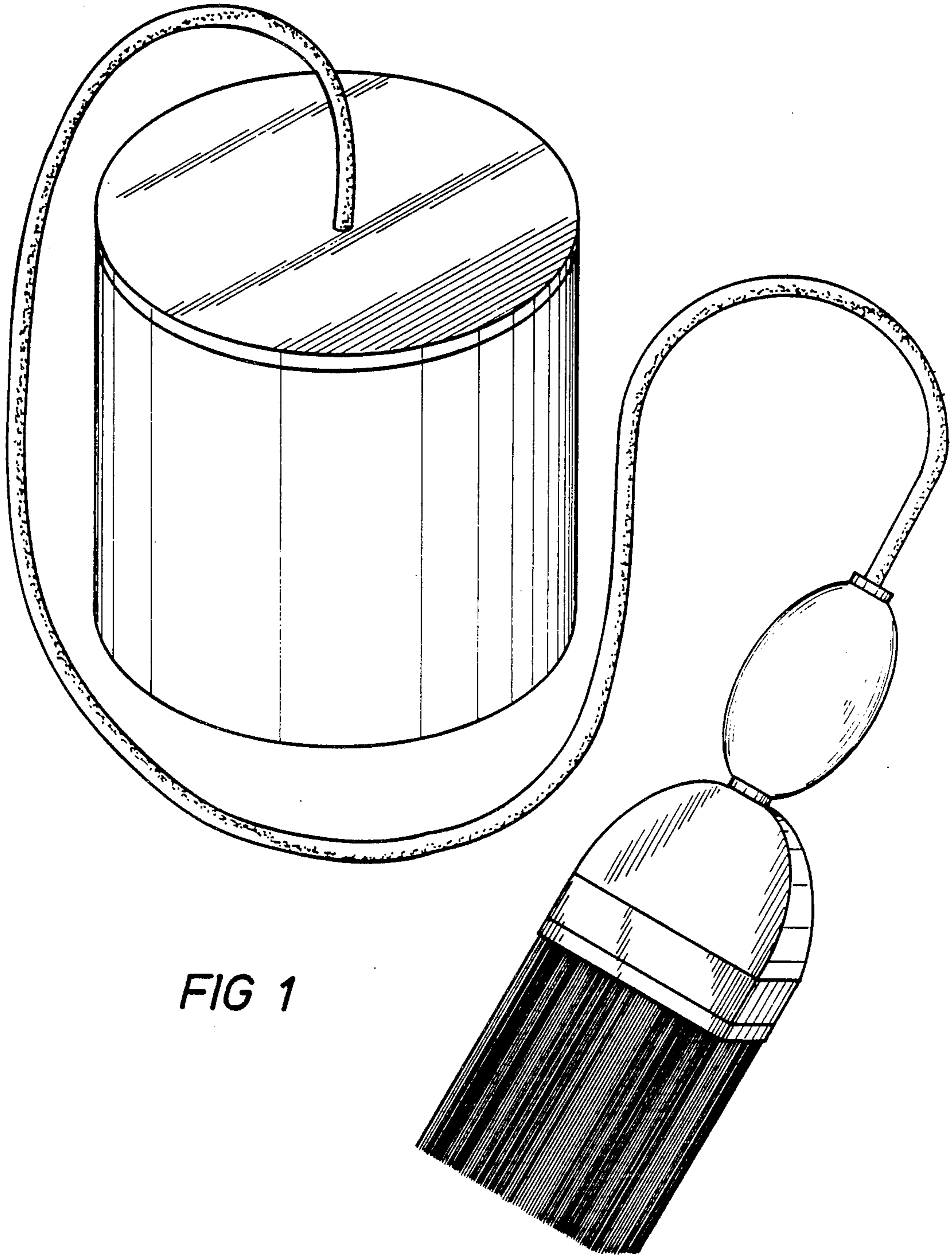


FIG 1

FIG 2

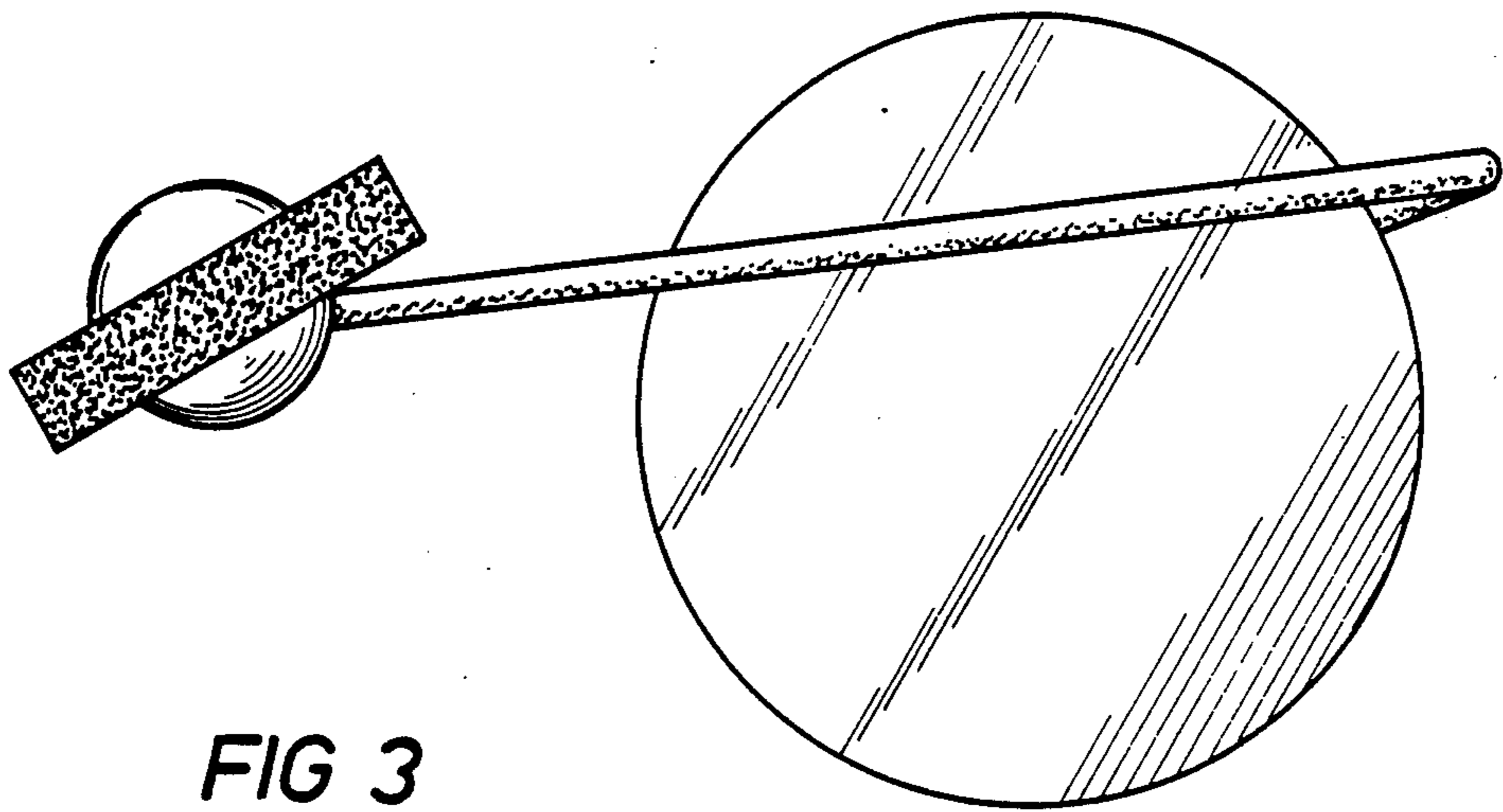
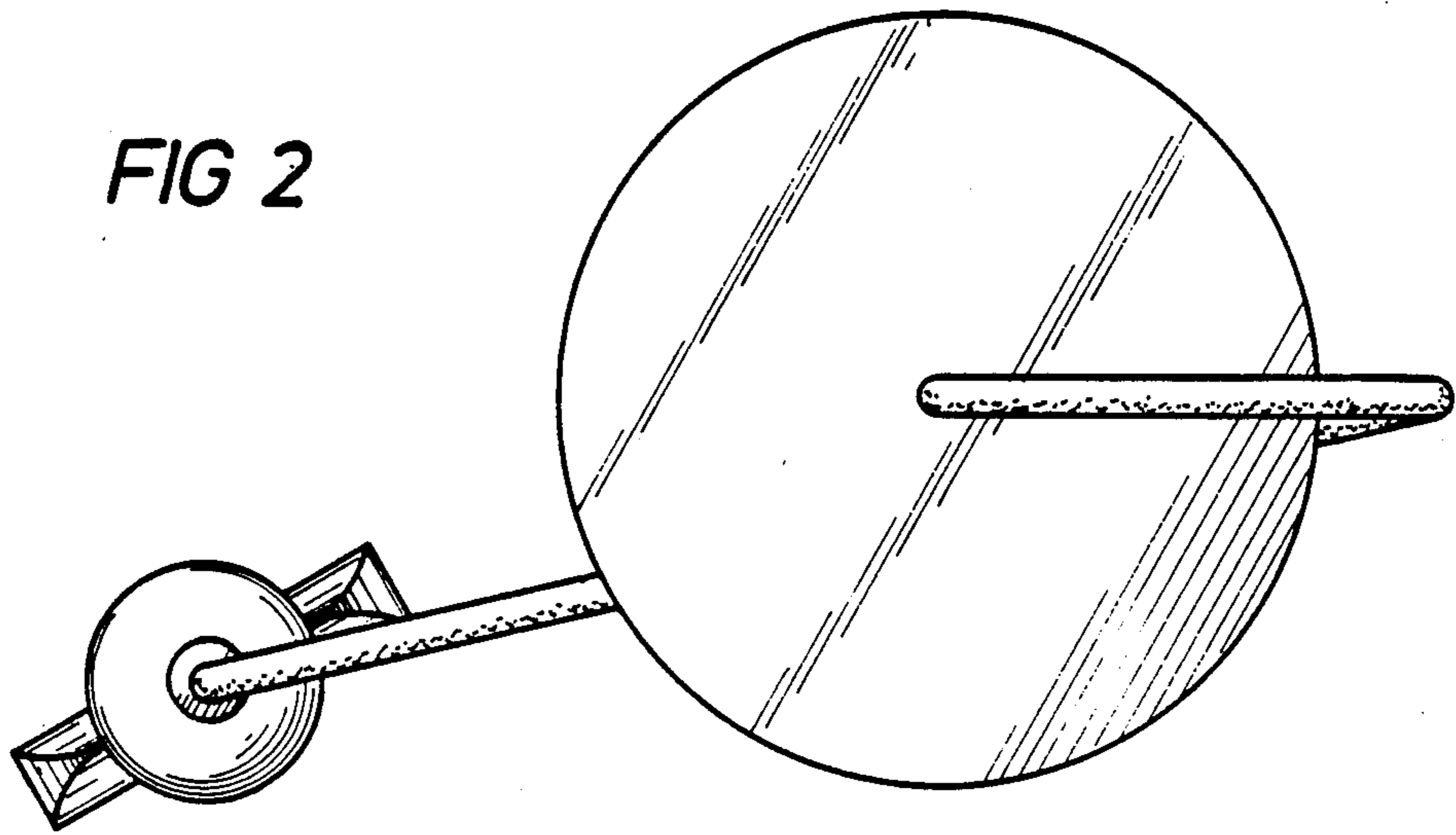


FIG 3

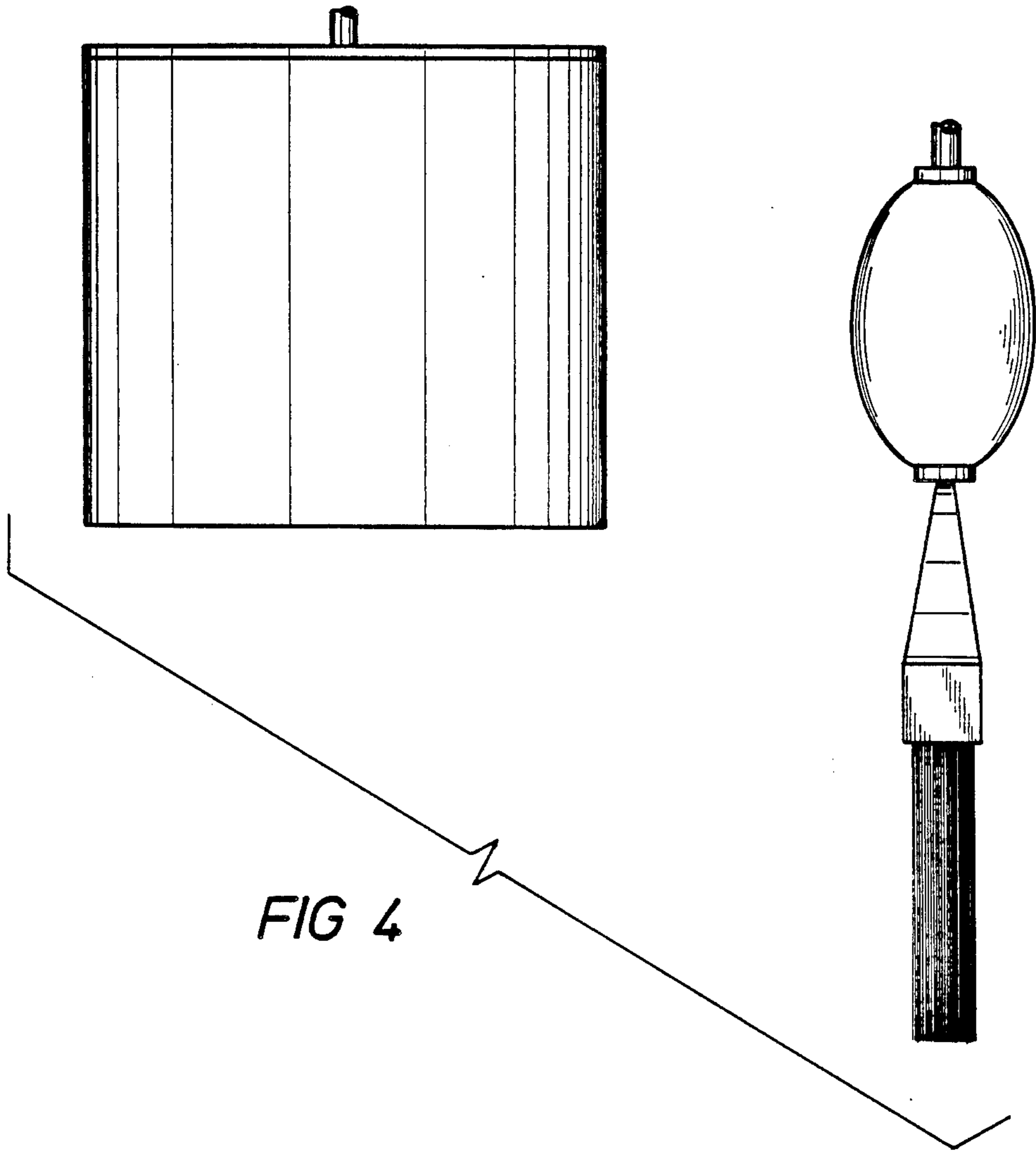


FIG 4